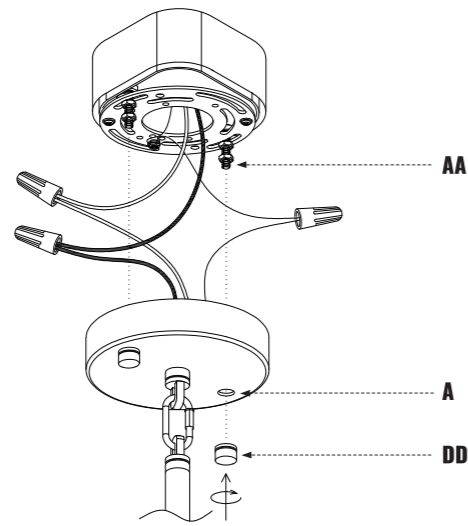


# INSTALLATION MANUAL

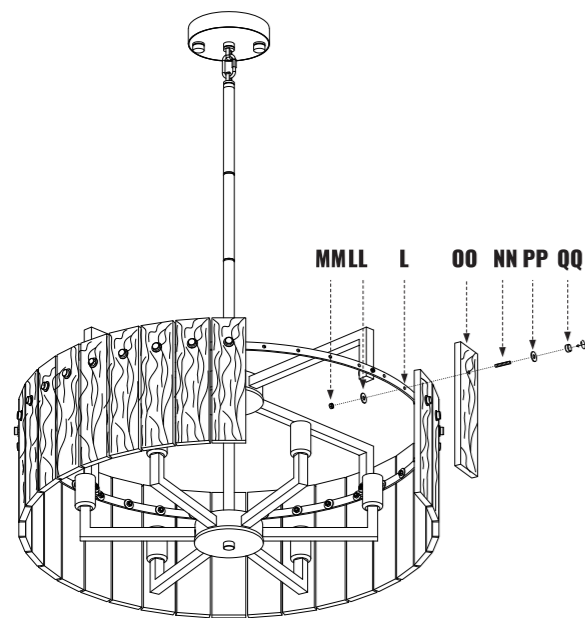
## 4. Fix the Canopy



Align canopy (A) holes with the long screw of Mounting Bracket (AA) and secure with the Knurled Nut (DD).

## CRYSTAL PIECES INSTALLATION

### 1. Crystal Sheet Installation

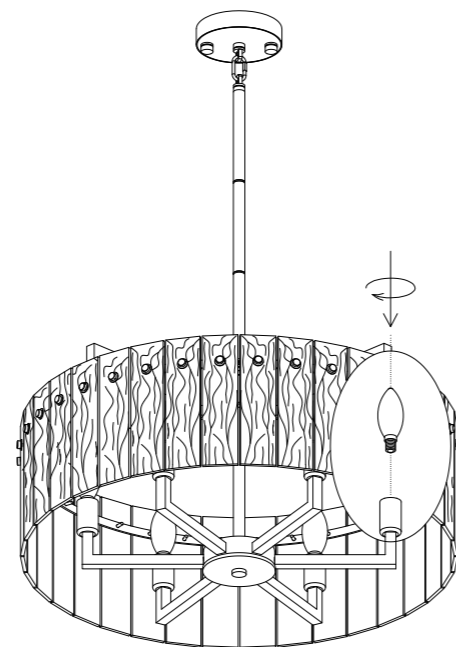


**Step 1:** Screw Fixed Screw (NN) into Small Finial (QQ) and attach Plastic Washer (PP).

**Step 2:** Thread screws through Glass (OO) and Circle (L), attach Flat Washer Gold (LL), and secure with Hex Nut Gold (MM).

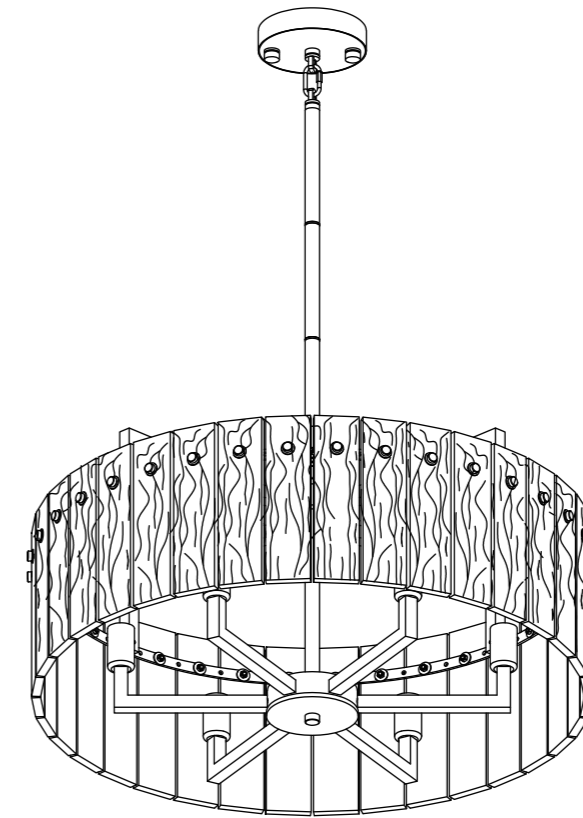
## INSTALL THE LIGHT SOURCE

### 1. Install Bulb



E12 Bulbs X 6  
(Max 40W each, not included)

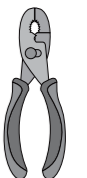
**Note:** This lamp uses E12 bulbs up to 40W. Fully dimmable when used with dimmable bulbs and compatible dimming switches (not included).



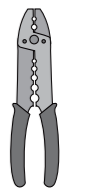
## TOOLS REQUIRED



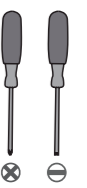
Ladder



Pliers

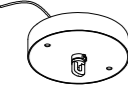



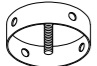




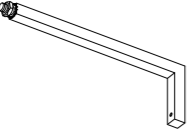
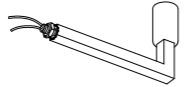
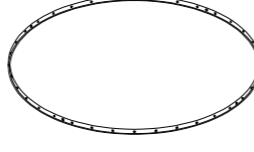


Wire Strippers

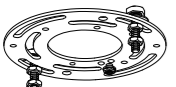

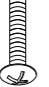

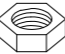


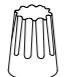




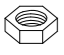
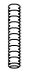






Screwdrivers

# PACKING LIST

<b>A</b>  Canopy 1×	<b>B</b>  Hanging Rod ① 1×	<b>C</b>  Hanging Rod ② 2×	<b>D</b>  Hanging Rod ③ 1×
<b>E</b>  Four-Hole Junction Box 1×	<b>F</b>  Cover 2×	<b>G</b>  Nipple 1×	<b>H</b>  Six-Hole Junction Box 1×
<b>I</b>  Large Finial 1×	<b>J</b>  Square Tube ① 4×	<b>K</b>  Square Tube ② 6×	<b>L</b>  Circle 1×

1. Accessory cover (F) (1pc) and nipple (G) are pre-assembled on the four-hole side (E).
2. Accessory cover (F) (1pc) and large finial (I) are pre-assembled on the six-hole side (H).

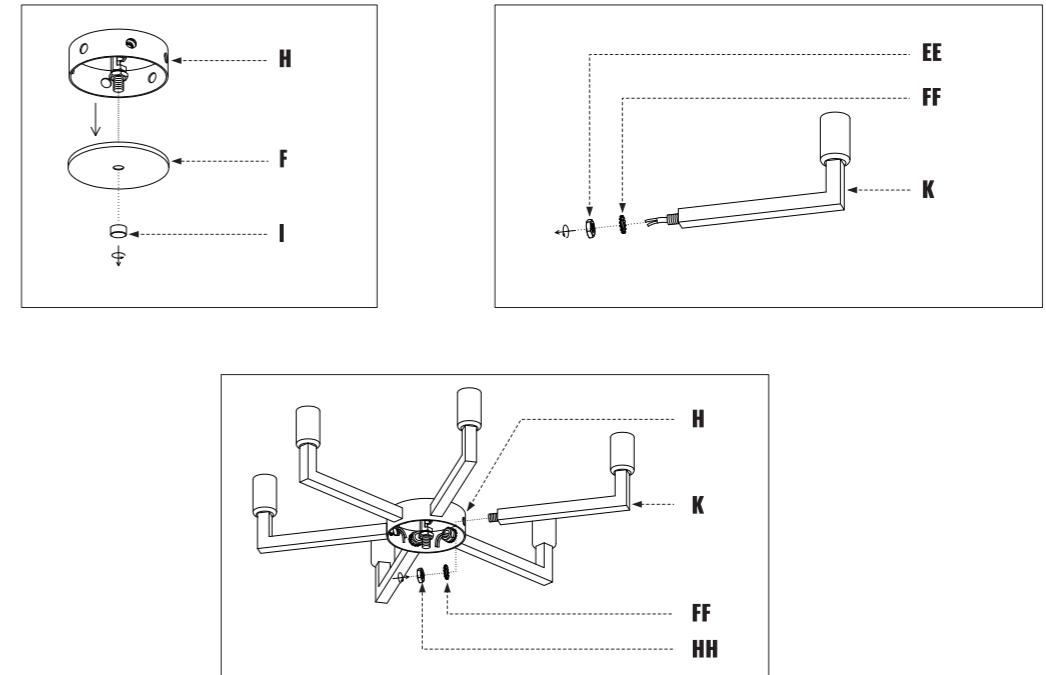
<b>AA</b>  Mounting Bracket 1×	<b>BB</b>  Ground Screw 1×	<b>CC</b>  Outlet Box Screw 2×	<b>DD</b>  Knurled Nut 2×	<b>EE</b>  Hex Nut M10 10×	<b>FF</b>  Star Washer 10×
<b>GG</b>  Small Wire Nut 3×	<b>HH</b>  Large Wire Nut 2×	<b>II</b>  Power Main Cable 1×	<b>JJ</b>  Figure-Eight Buckle 1×	<b>KK</b>  Long Screw Gold 6×	<b>LL</b>  Flat Washer Gold 40×
<b>MM</b>  Hex Nut M4 40×	<b>NN</b>  Fixed Screw 36×	<b>OO</b>  Glass 36×	<b>PP</b>  Plastic Washer 36×	<b>QQ</b>  Small Finial 36×	<b>RR</b>  Glove 1×

## NOTE:

1. Six "Hex Nut M10 (EE), Star Washer (FF)" sets are pre-installed on Square Tube ② (K).
2. Four "Hex Nut M10 (EE), Star Washer (FF), Long Screw Gold (KK), Flat Washer Gold (LL), Hex Nut Gold (MM)" sets are pre-installed on Square Tube ① (J).
3. Mounting Bracket (AA) and Ground Screw (BB), knurled nut (DD), come pre-assembled with Canopy (A).

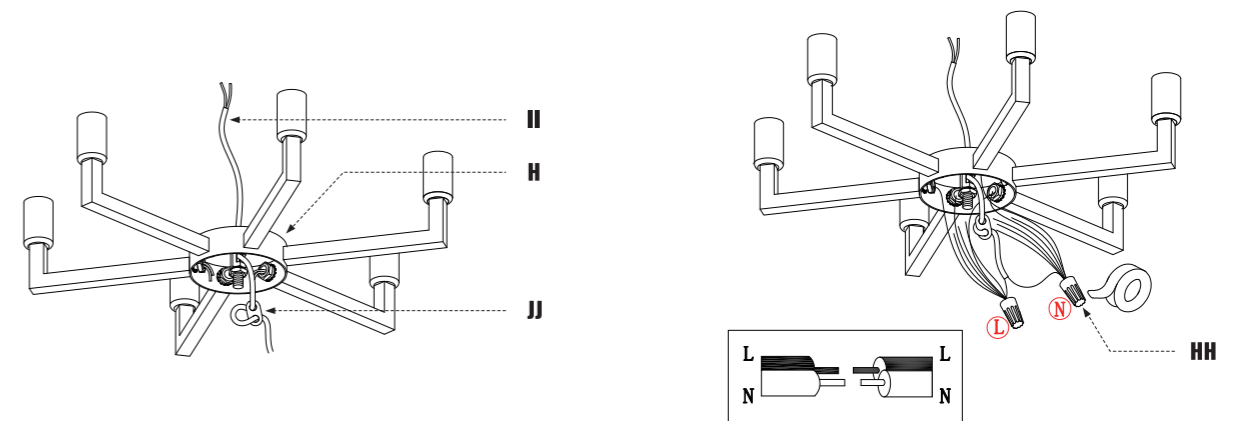
# INSTALLATION

## 1. Install Square Tube (K)



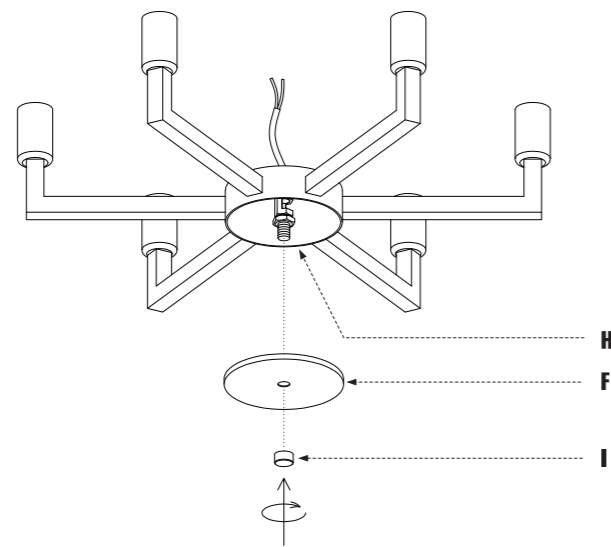
- Step 1:** Release Large Finial (I) and remove Cover (F).
- Step 2:** Loosen Hex Nut M10 (EE) on Square Tube ② (K) and remove Star Washer (FF).
- Step 3:** Pass Square Tube ② (K) through Six-Hole Junction Box (H), add Star Washer (FF), and secure with Hex Nut M10 (EE).

## 2. Connect the Wires



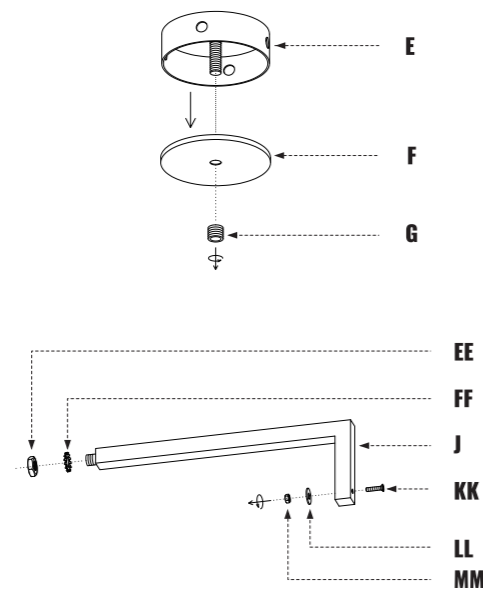
- Step 1:** Thread Main Power Cable (II) through Six-Hole Junction Box (H) and Figure-Eight Buckle (JJ).
- Step 2:** Connect fixture wires using Large Wire Nuts (HH), then connect hot (black) and neutral (white) wires separately. Wrap connections with electrical tape.

### 3. Lock Nut



Cover Six-Hole Junction Box (H) with Cover (F) and secure with Large Finial (I).

### 4. Square Tube (J) Assembly Preparation

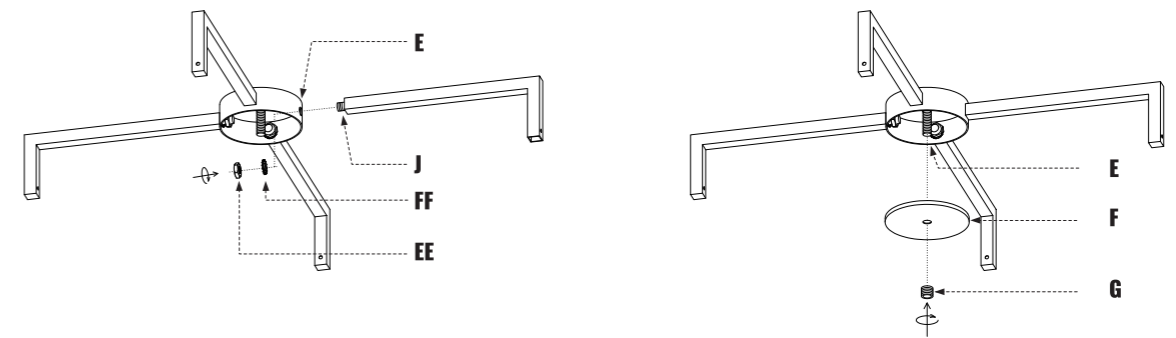


**Step 1:** Release Nipple (G) and remove Cover (F).

**Step 2:** Loosen Hex Nut M10 (EE) on Square Tube ① (J) and remove Star Washer (FF).

**Step 3:** Release Hex Nut Gold (MM) on square tube (J) and remove Long Screw Gold (KK) and Flat Washer Gold (LL).

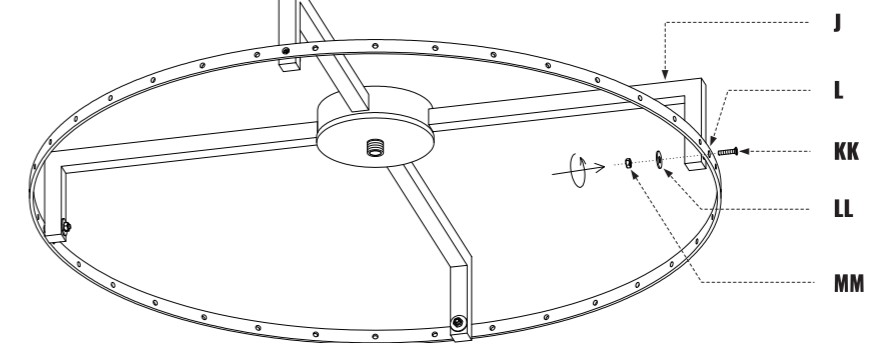
### 5. Install Square Tube (J)



**Step 1:** Pass Square Tube ① (J) through Four-Hole Junction Box (E), add Star Washer (FF), and secure with Hex Nut M10 (EE).

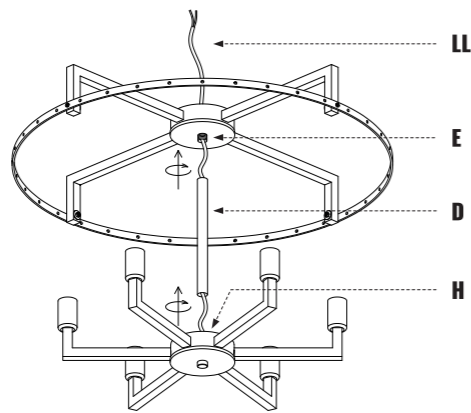
**Step 2:** Cover Four-Hole Junction Box (E) with Cover (F) and secure with Nipple (G).

### 6. Assemble Square Tube (J) with Circle (L)



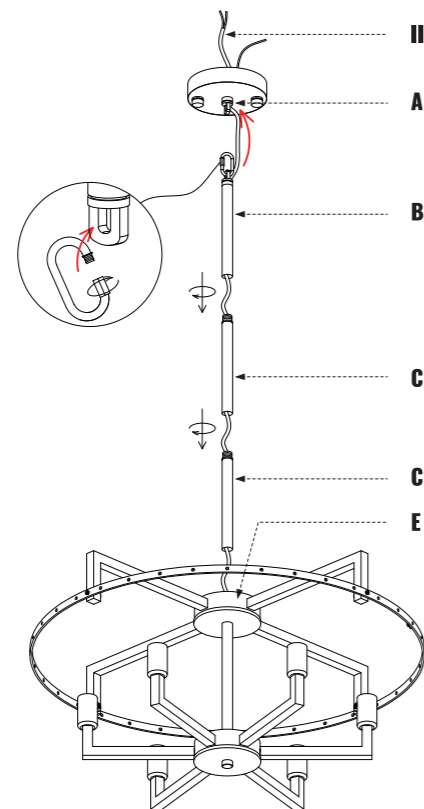
Insert Long Screw Gold (KK) through Circle (L) and Square Tube ① (J) holes, attach Flat Washer Gold (LL), and secure with Hex Nut Gold (MM).

## 7. Connect the Wires



Thread Main Power Cable (LL) through Hanging Rod (D) and Four-Hole Junction Box (E), then tighten both ends of Hanging Rod (D).

## 8. Install the Hanging Rod

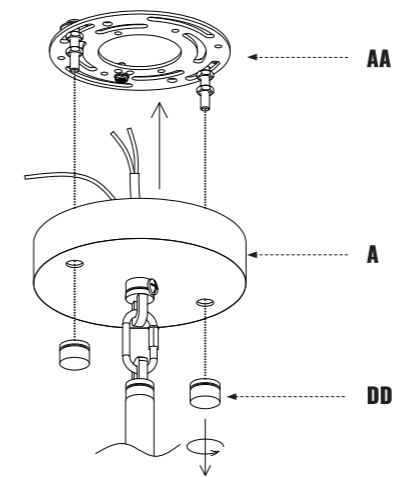


**Step 1:** Route Main Power Cable (II) through Hanging Rod ① (B) and two Hanging Rod ② (C), Canopy (A), tighten hanging rods (B) and (C).

**Step 2:** Unscrew movable clasp on Hanging Rod ① (B) and attach to hanging loop on the Canopy (A).

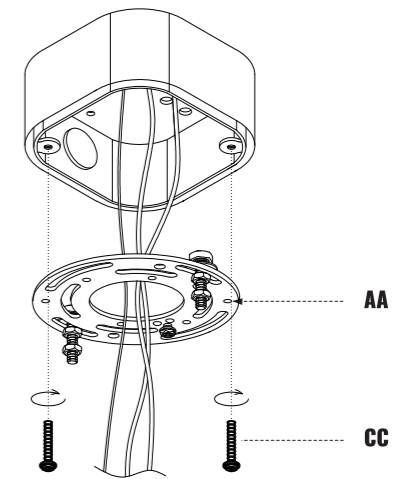
## MOUNTING AND WIRING

### 1. Remove the mounting bracket



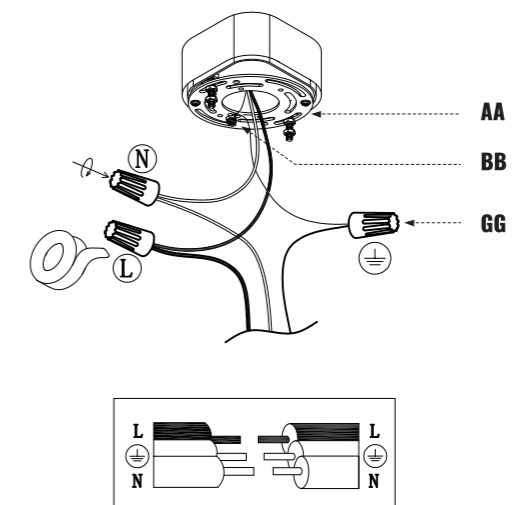
Loosen the Knurled Nut (DD) from Canopy (A), take out the Mounting Bracket (AA).

### 2. Install Mounting Bracket



Take off the screws from outlet box, secure the Mounting Bracket (AA) onto the box with screws taken off or Outlet Box Screw (CC).

### 3. Connect the Power Wires and Ground Wire



**Step 1:** Wrap the ground wire from the outlet box around the Ground Screw (BB) on the Mounting Bracket (AA), and then connect the ground wire from the Lamp to the ground wire from the outlet box.

**Step 2:** Connect the wires from the Lamp to the house supply wires, neutral wire (white) to neutral wire, and hot wire (black) to hot wire.

**Step 3:** Spread apart the wires so that the hot wires are on one side of the outlet box and the neutral wires are on the other side.