



TOV





Follow us!

Show your new purchase some love by tagging it on our Instagram!

 @tovfurniture

 516-888-3355

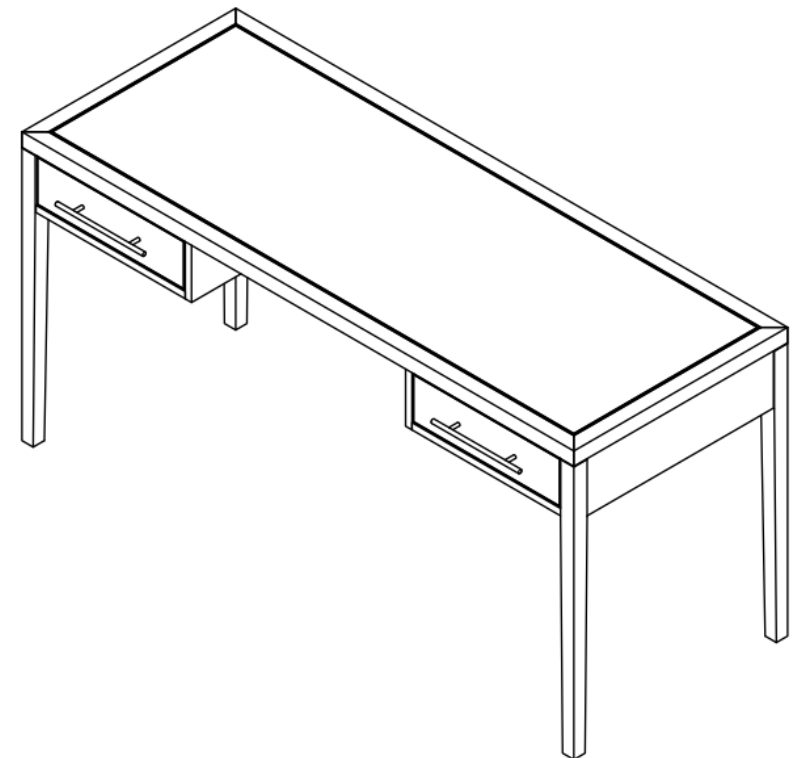
 hello@tovfurniture.com

 www.tovfurniture.com

If the future is female- your furniture should be, too. No mahogany in sight. Sexy settees shaped like lips. Price points for any budget.

At TOV, we do things differently.

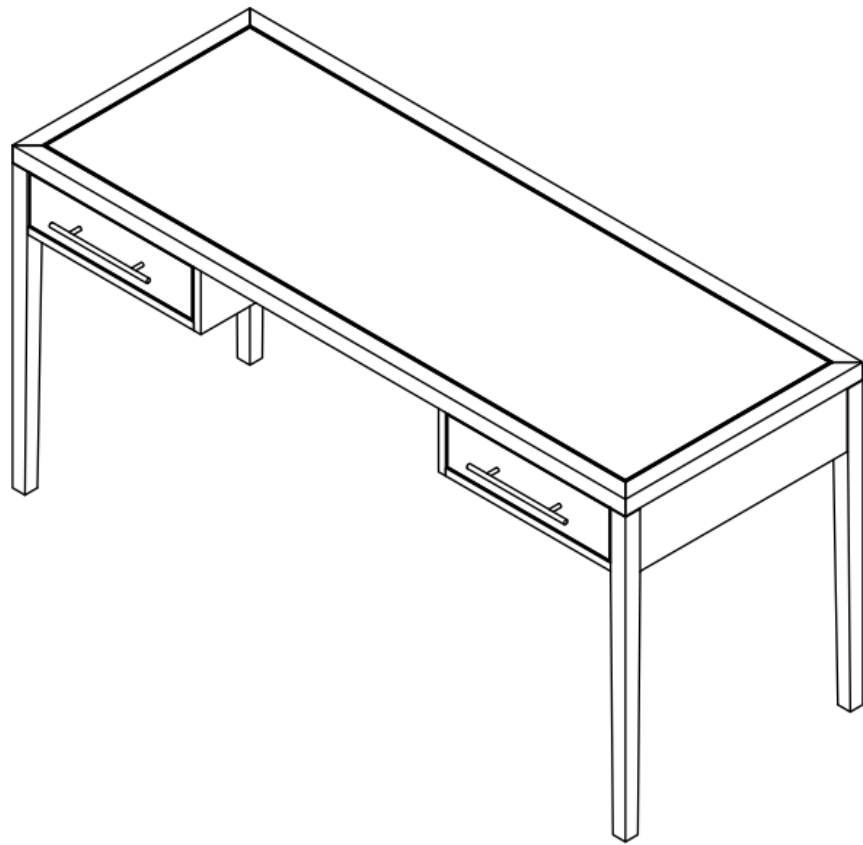
TOV



HERA DESK

DON'T BE BORING.

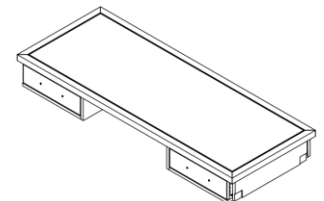
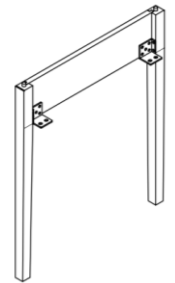



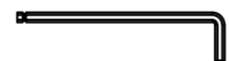
FINISH



Stuck?
Contact our team @ 516-888-3355
Scan for product care!



Hardware and Components

- | | | | | |
|---|-------|----------|-----------|-------|
|  | ----- | A | | x1pc |
|  | ----- | B | | x2pcs |
|  | ----- | C | M6x20 | x8pcs |
|  | ----- | D | Ø6,5/16x2 | x8pcs |
|  | ----- | E | Ø6,5/10x2 | x8pcs |
|  | ----- | F | 23x100 | x1pc |

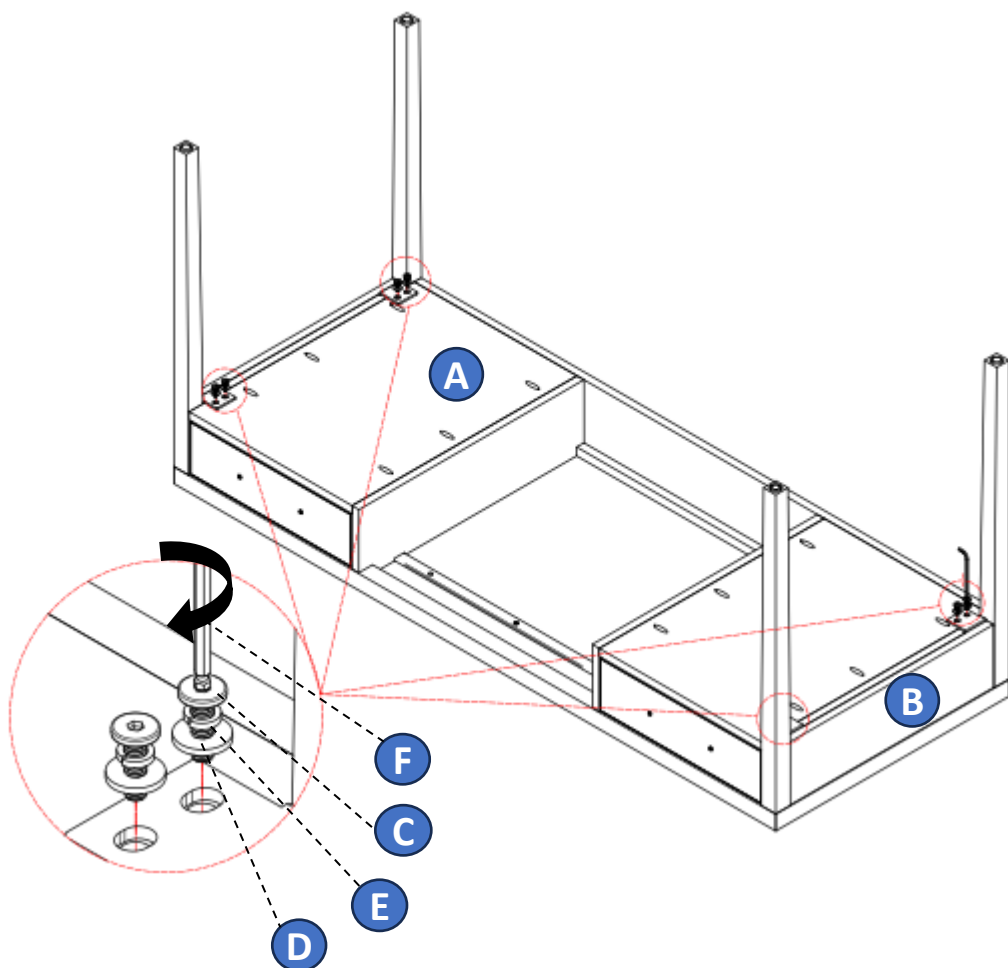
STEP 1

Open box of hardware and legs.
This hardware box will be a smaller
box inside of the main box. Look for
the red streamer.



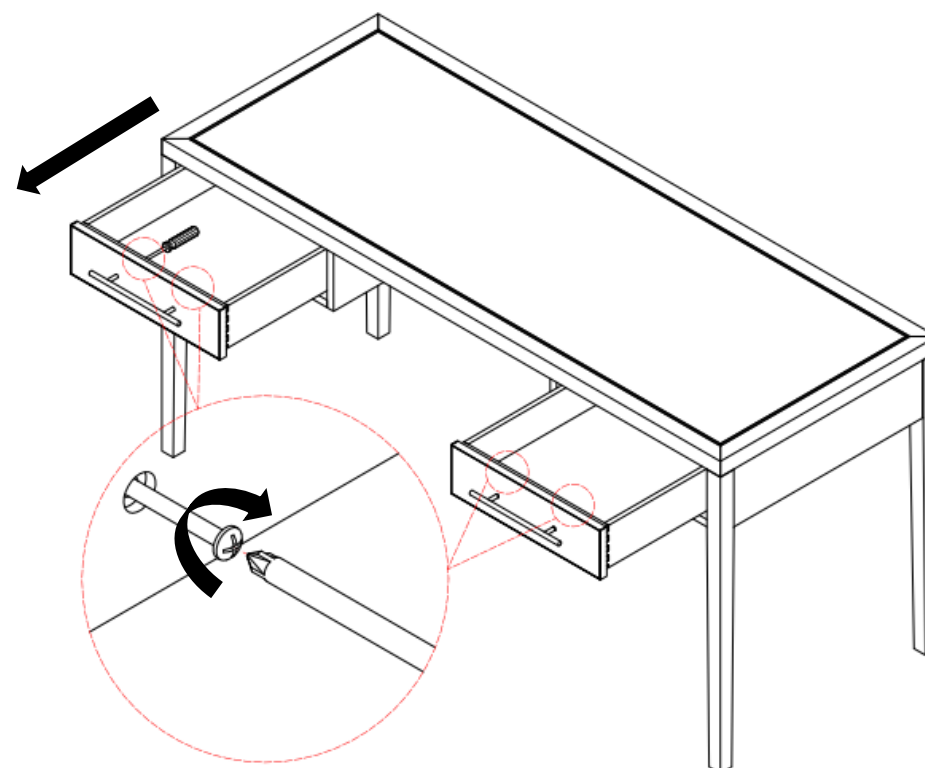
STEP 2

1. Place the Desktop (A) bottom side up on a flat and soft surface.
2. Attach both legs (B) to the preinstalled frame on the bottom of sideboard (A) with hardware (C), (D) & (E) by Allen key (F).



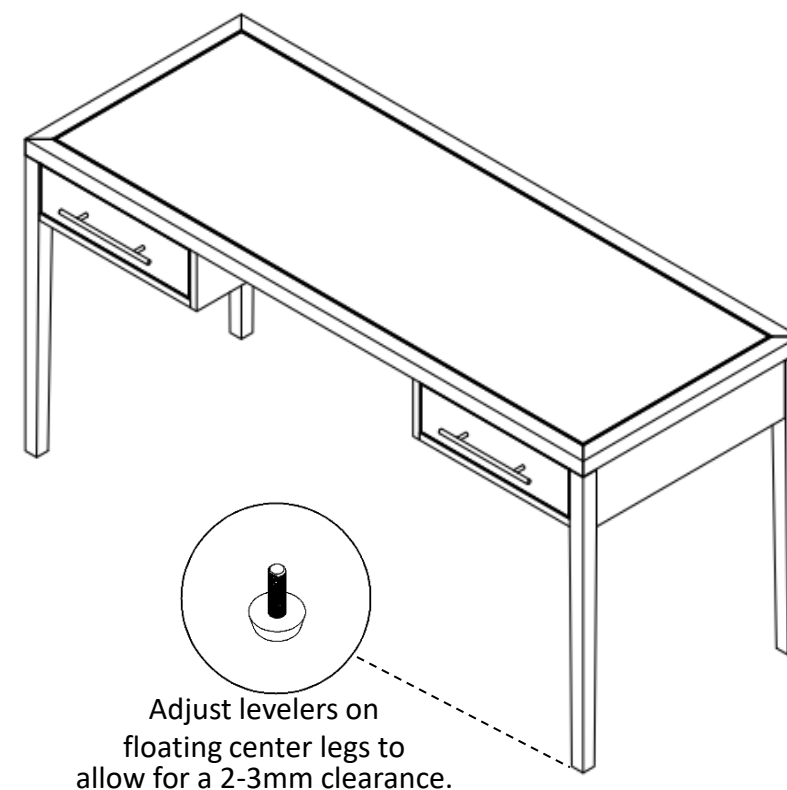
STEP 3

3. Remove the handle from inside of the drawer, and reinstall the handle outside as shown.



STEP 4

4. Adjust levelers as needed to ensure the desk is stable.



Adjust levelers on
floating center legs to
allow for a 2-3mm clearance.