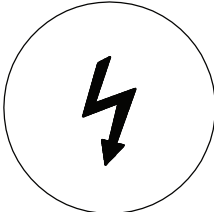
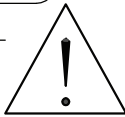
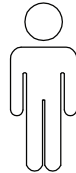
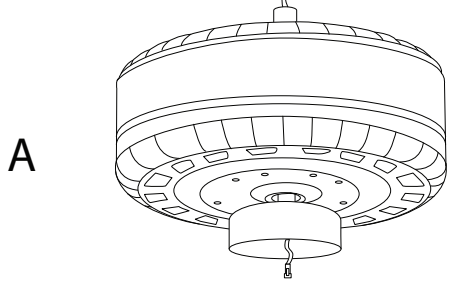
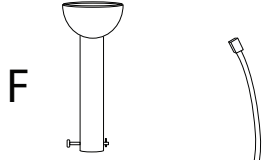
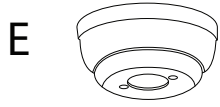
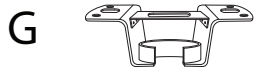
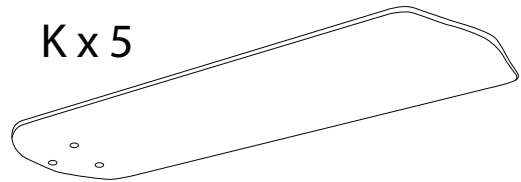
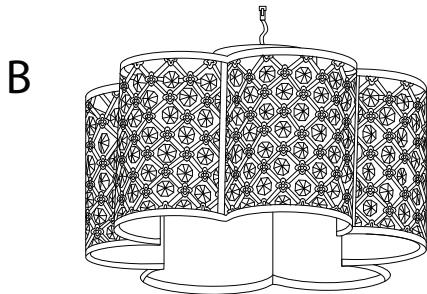

		<p>80'</p>
		
		<p>1</p>



K x 5



C x 5



U x 7



T x 12

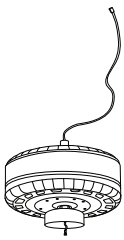


S x 18



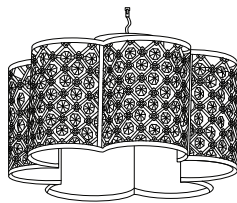
R x 37 

A



x 1

B



x 1

C



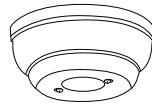
x 5

D



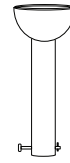
x 1

E



x 1

F



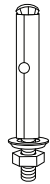
x 1

G



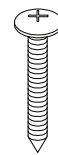
x 1

H



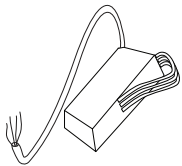
x 2

I



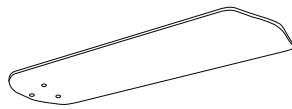
x 4

J



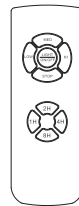
x 1

K



x 5

L



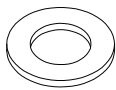
x 1

M



x 15

N



x 15

O



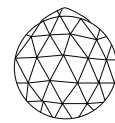
x 2

P



x 10

R



x 37

S



x 18

T

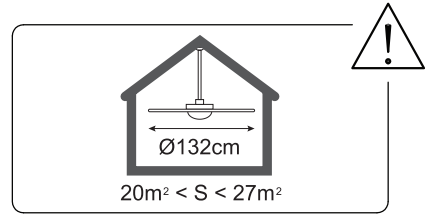
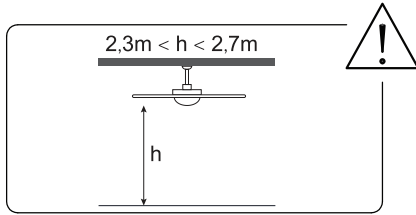
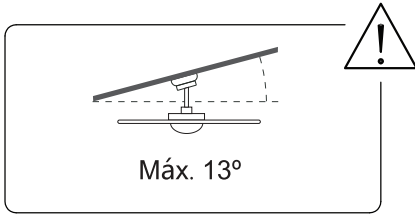
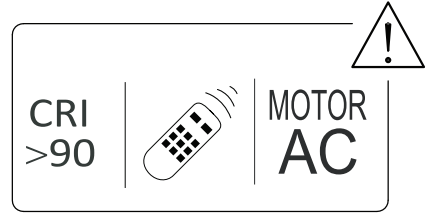
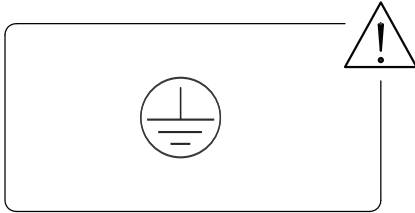
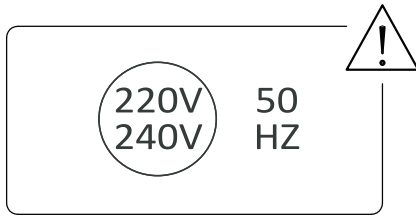


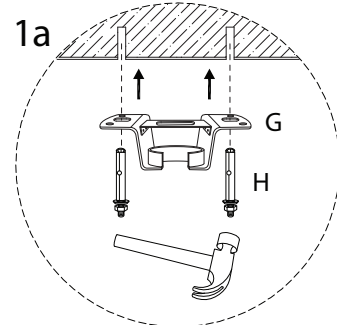
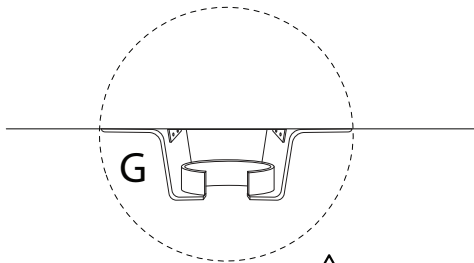
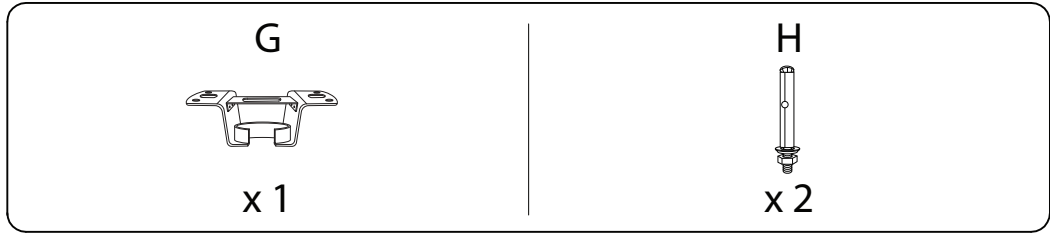
x 12

U

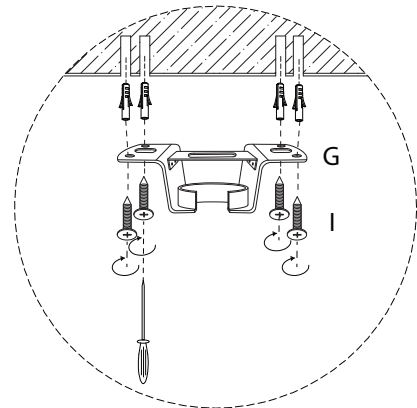
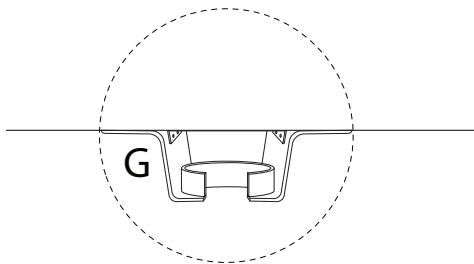
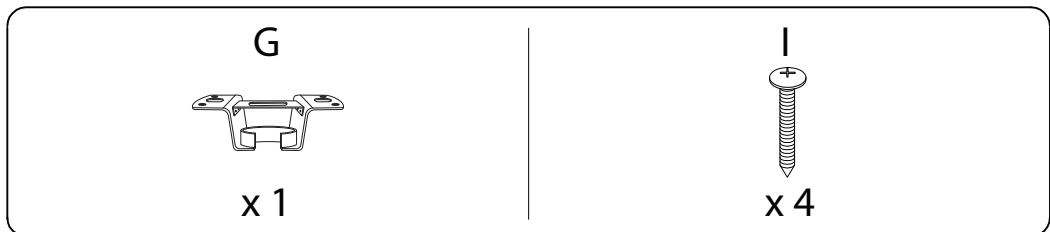
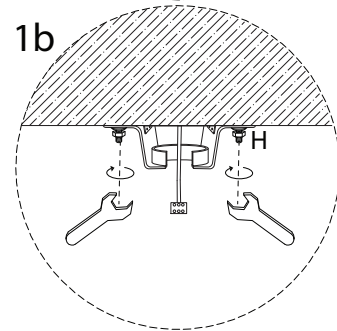
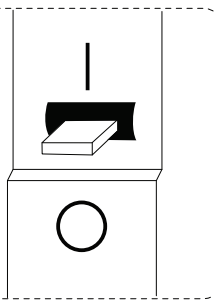


x 7

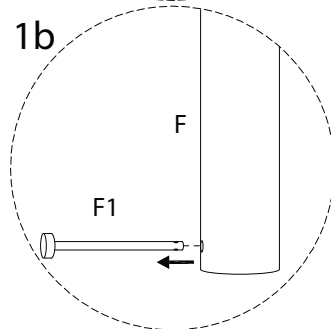
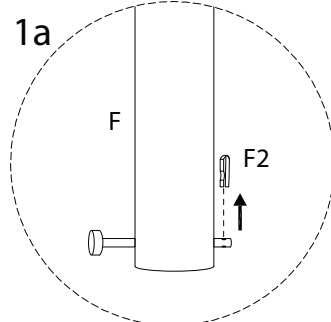
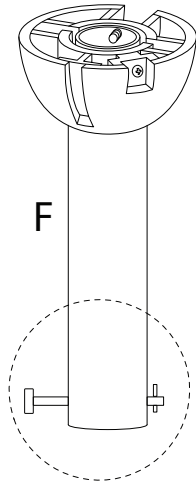
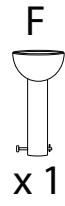




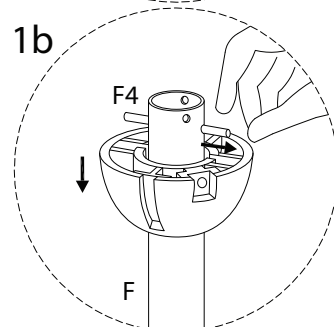
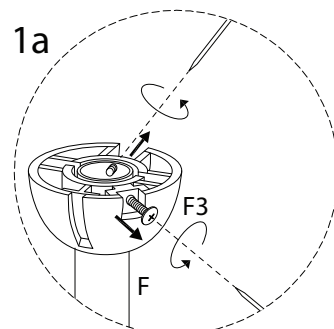
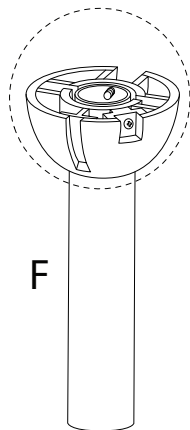
OFF



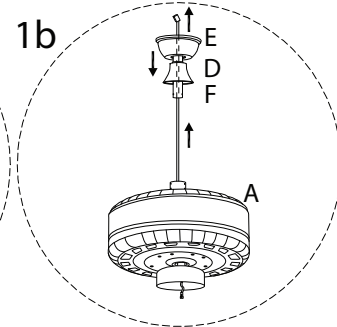
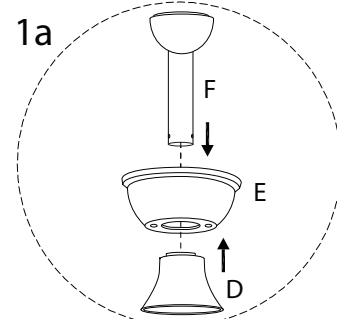
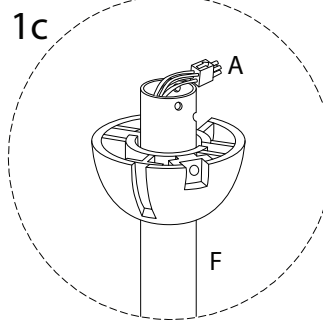
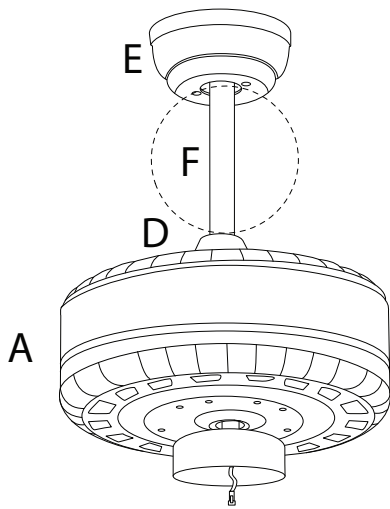
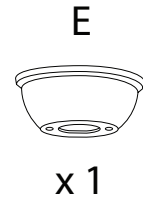
1



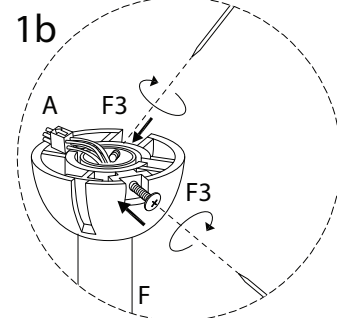
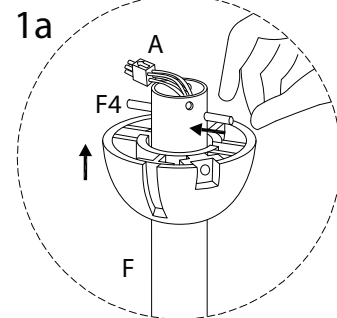
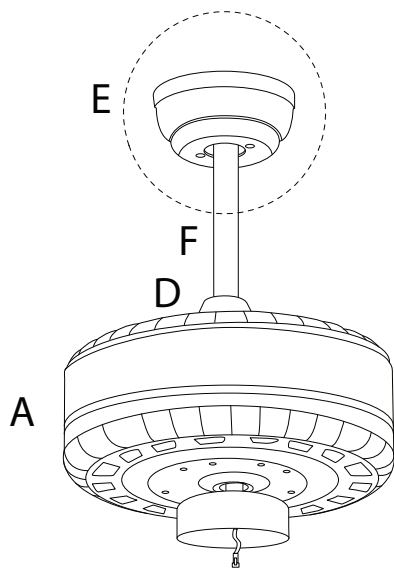
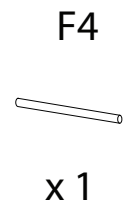
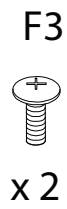
2



3



4



5

F1

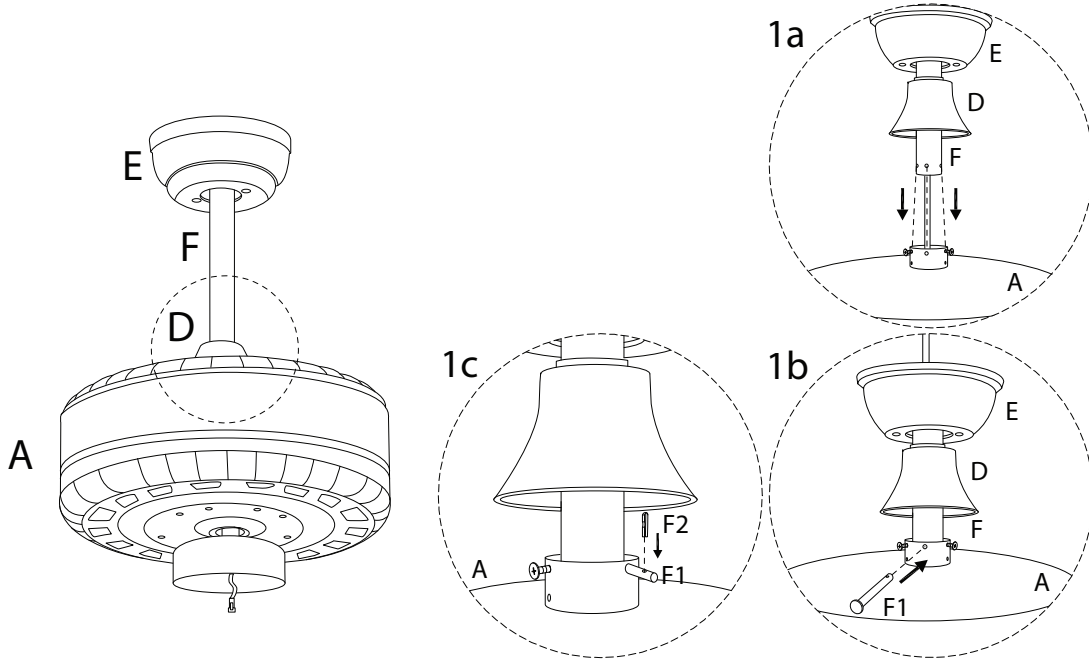


x 1

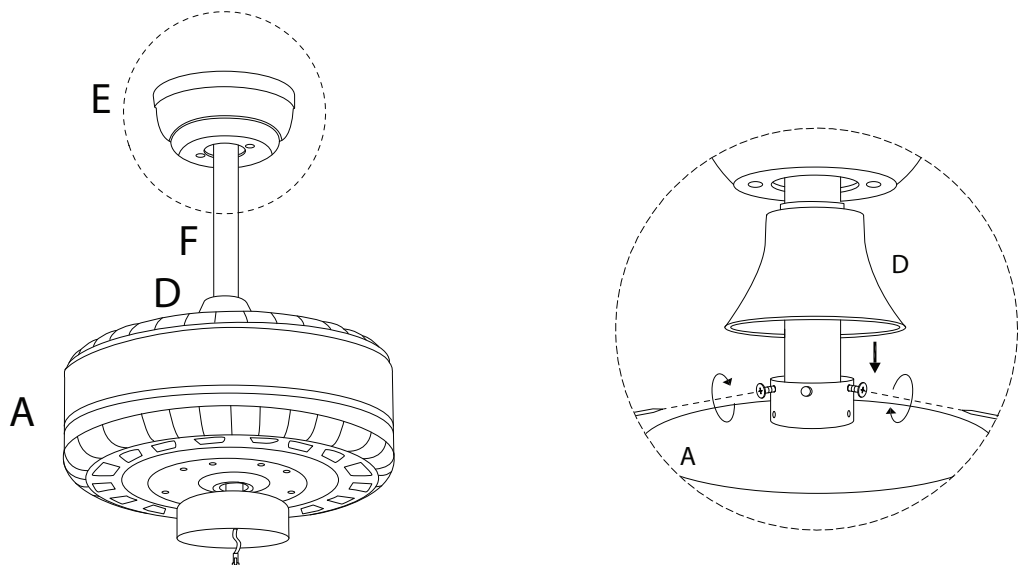
F2



x 1

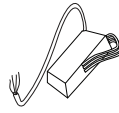


6

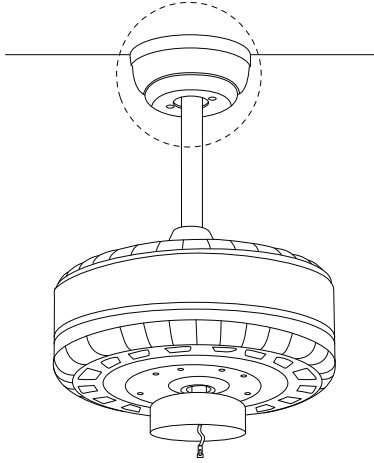


7

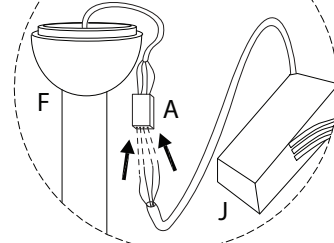
J



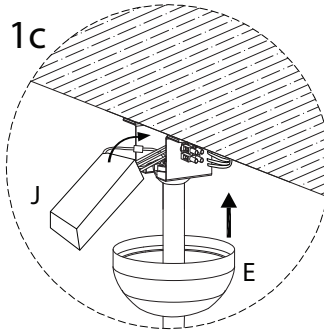
x 1



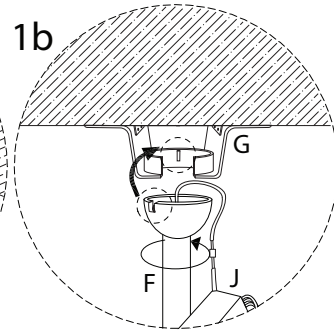
1a



1c



1b

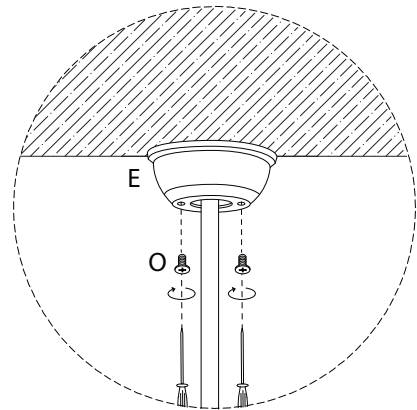
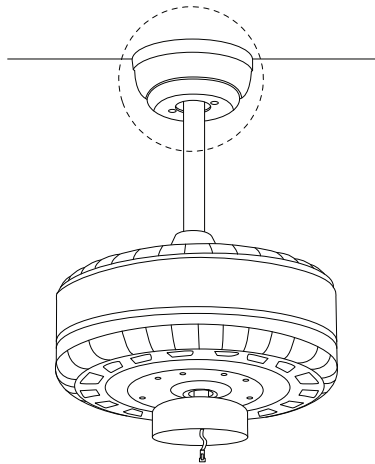


8

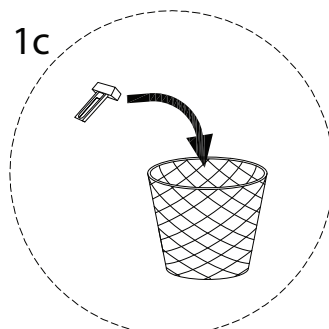
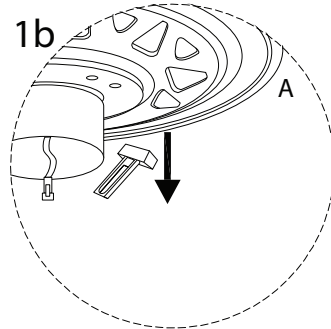
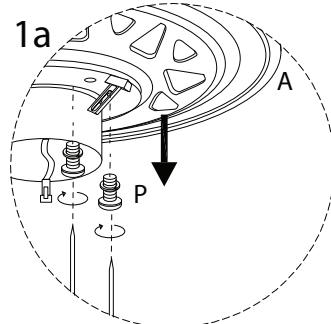
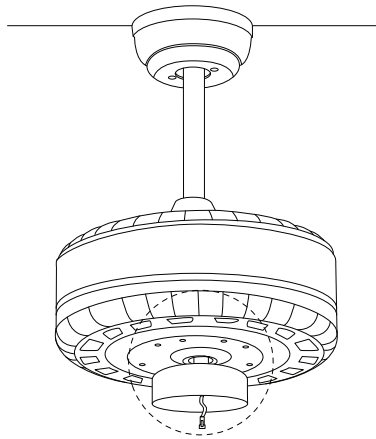
O



x 2

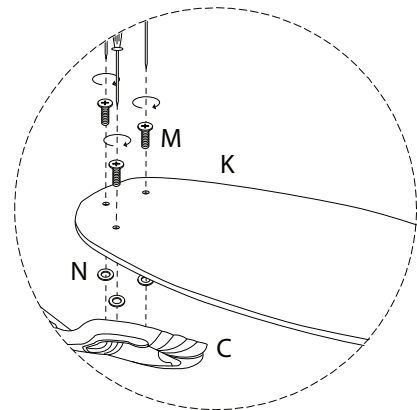
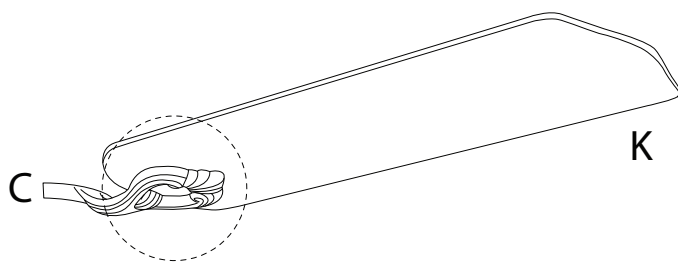


9



10

<p>C</p> <p>x 5</p>	<p>K</p> <p>x 5</p>	<p>M</p> <p>x 15</p>	<p>N</p> <p>x 15</p>
---------------------	---------------------	----------------------	----------------------

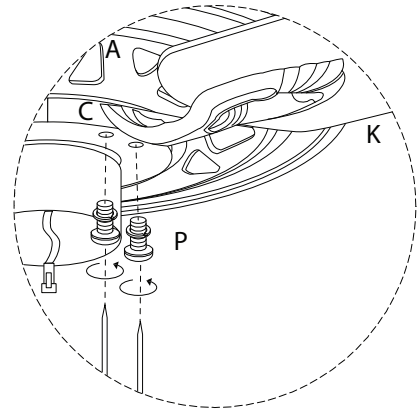
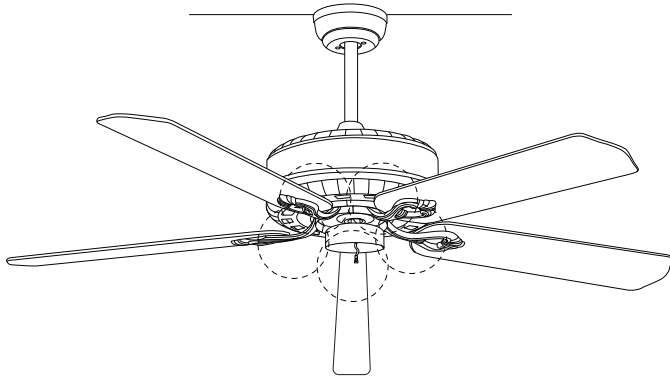


11

P

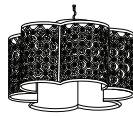


x 10

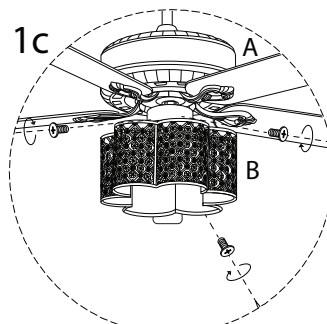
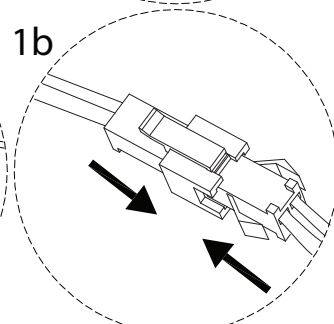
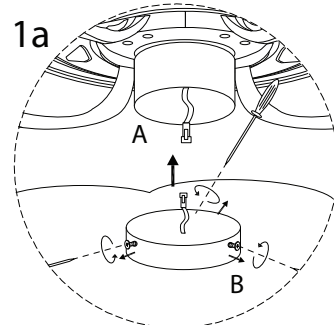
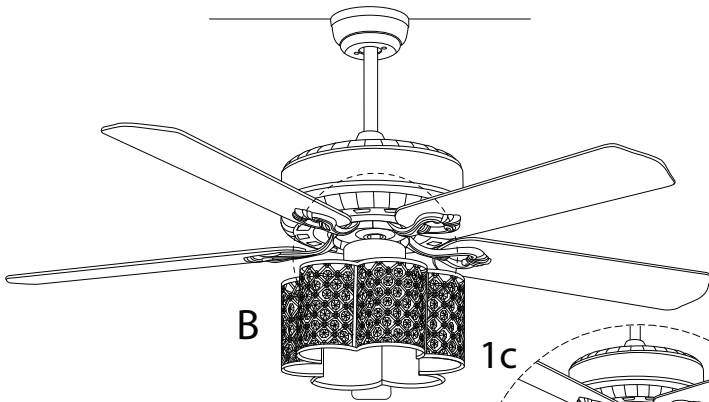


12

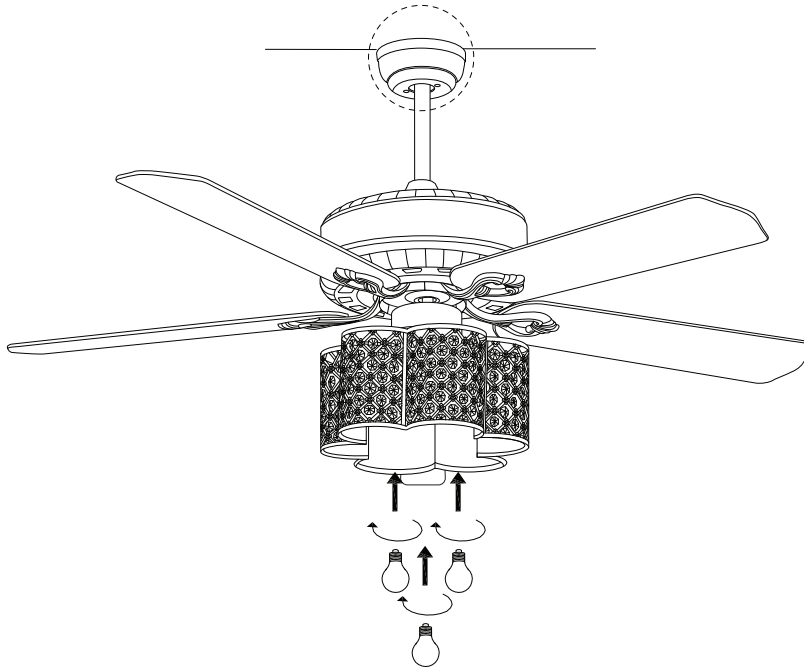
B



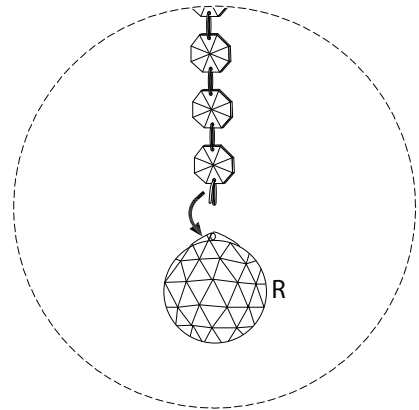
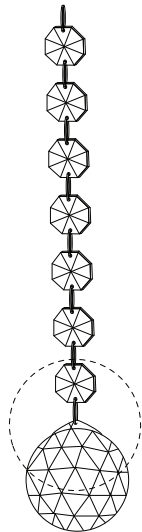
x 1



13



!



14

R

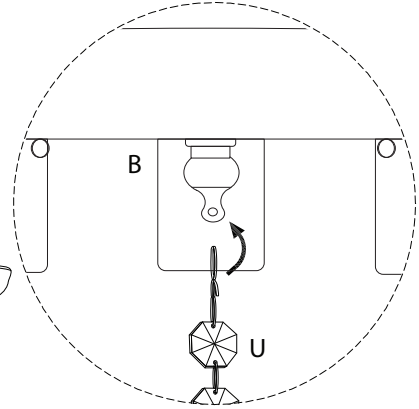
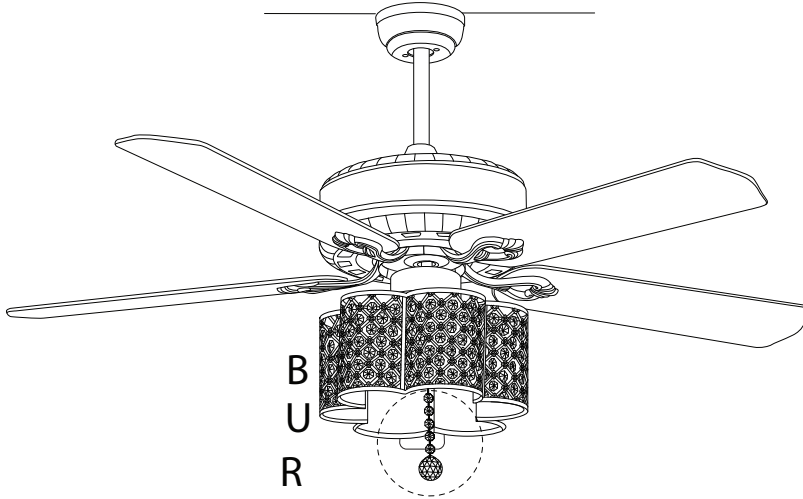


x 1

U

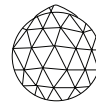


x 1



15

R

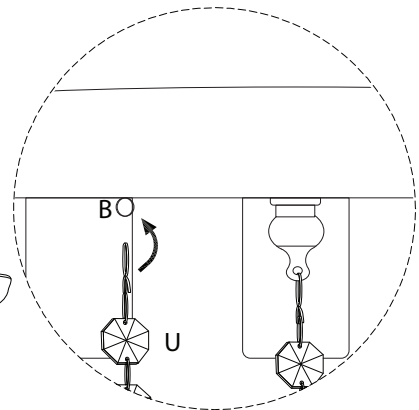
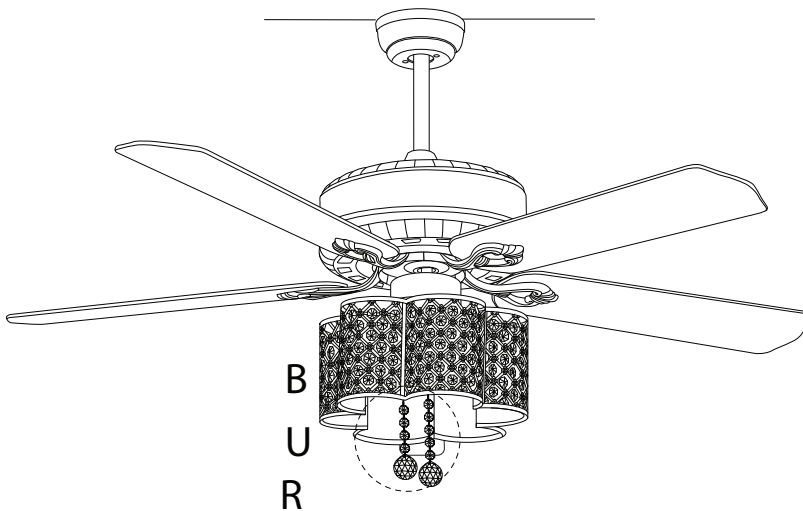


x 6

U



x 6



16

R

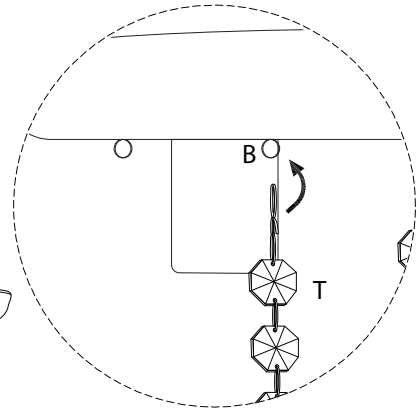
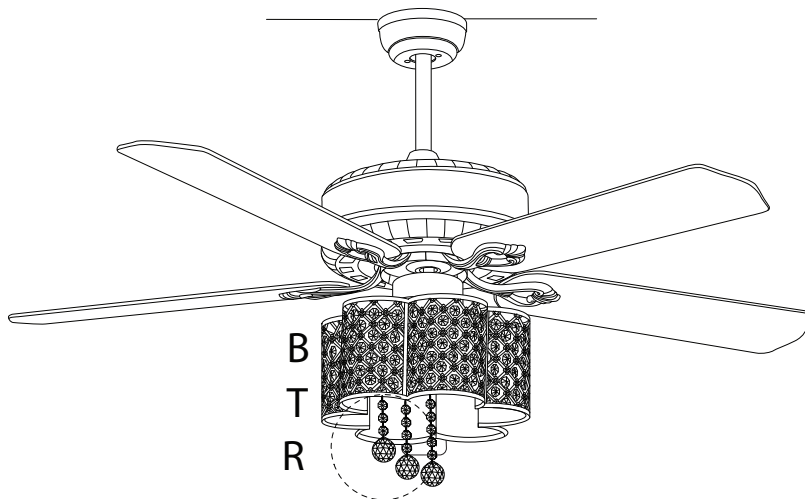


x 12

T



x 12



17

R



x 18

S



x 18

