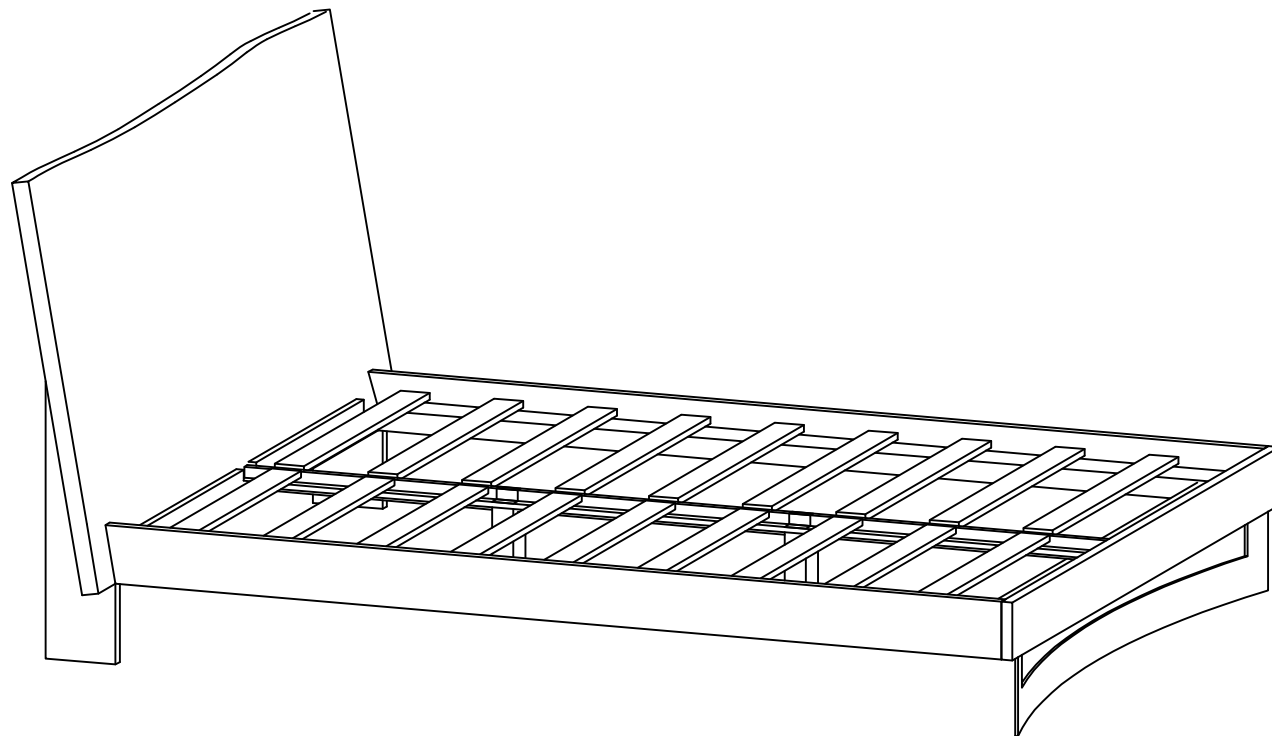


ASSEMBLY INSTRUCTIONS.







KING BED








THANK YOU FOR YOUR PURCHASE!

PARTS AND HARDWARE.

PARTS LIST

NO.	DESCRIPTION	IMAGE	Q'TY
P1	Headboard		1
P2	Sides		2
P3	Footboard		1
P4	Centre Support		1
P5	Rolling Support		2
P6	Leg		2

HARDWARES LIST

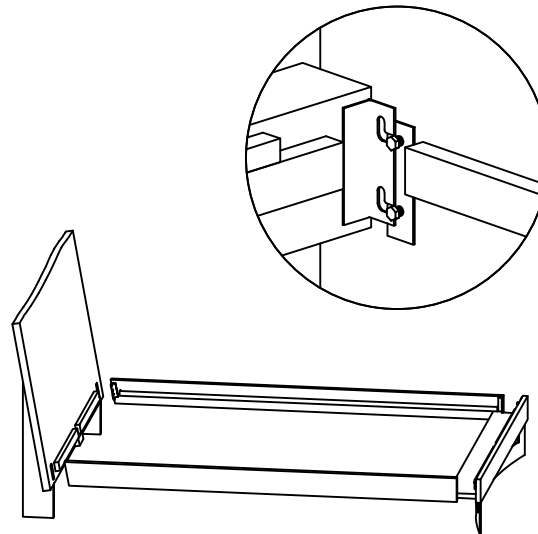
NO.	DESCRIPTION	IMAGE	Q'TY
H1	HEX BOLT		8
H2	SPANNER		1
H3	HEX BOLT		2
H4	NUT		2
H4	WASHER		2

NOTES.

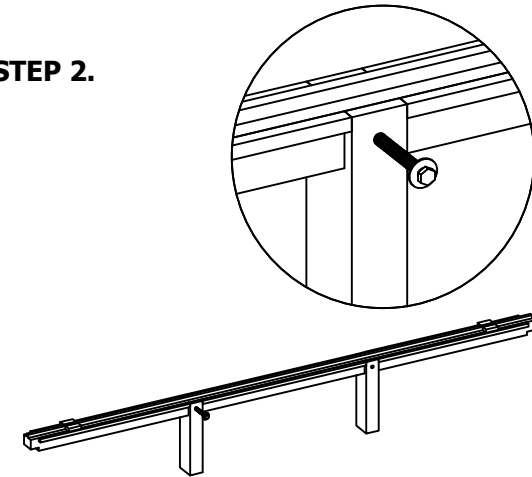
Thank you for purchasing this quality product! Be sure to check all packing material carefully for small part that may have come loose inside the carton during shipping.

CAUTION: The item is heavy, assembly should be performed by two people.

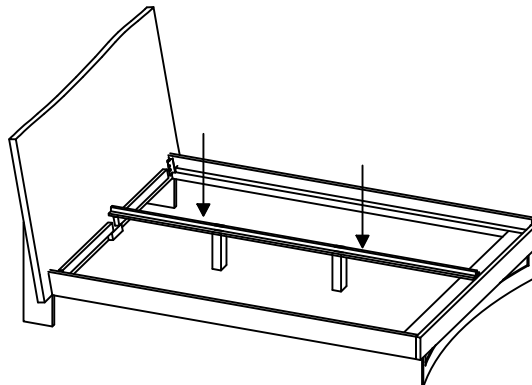
STEP 1.



STEP 2.



STEP 3.



STEP 3.

