

Pacific Bay Limited Lifetime Warranty

Pacific Bay products have been manufactured under the highest standards of quality and workmanship. Pacific Bay warrants to the original purchaser for as long as the original purchaser owns their RV that this product will be leak- and drip-free during normal use, and that all parts and finishes of this product will be free from defects in material and manufacturing workmanship. Plated metal and plated plastic finishes are warranted for (1) year.

If the product should develop a leak or drip during the warranty period, Pacific Bay will, free of charge, provide the parts necessary to put the product back into good working condition by you. They may also replace any part or finish that proves defective in material and manufacturing workmanship, under normal installation, use and service, free of charge. Proof of purchase (original sales receipt) from the original purchaser must accompany all warranty claims. Defects or damages caused by the use of other products or parts is not covered by this warranty. If repair or replacement is not practical, Pacific Bay may elect to refund the purchase price in exchange for the return of the product.

This warranty covers replacement of all defective parts and finishes. However, damage due to product abuse, product misuse, installation error, or the use of cleaners containing alcohol, abrasives, or other solvents, whether performed by a contractor, service company, or yourself, will void this warranty. Pacific Bay will not be responsible for labor charges and/or damages incurred in installation, repair or replacement, nor any indirect, incidental or consequential damages, losses, or injury costs of any nature relating to this product. Except as provided by law, this warranty is in lieu of and excludes all other warranties, conditions and guarantees, whether expressed or implied, statutory or otherwise, including without restriction those of merchantability or of fitness for use.

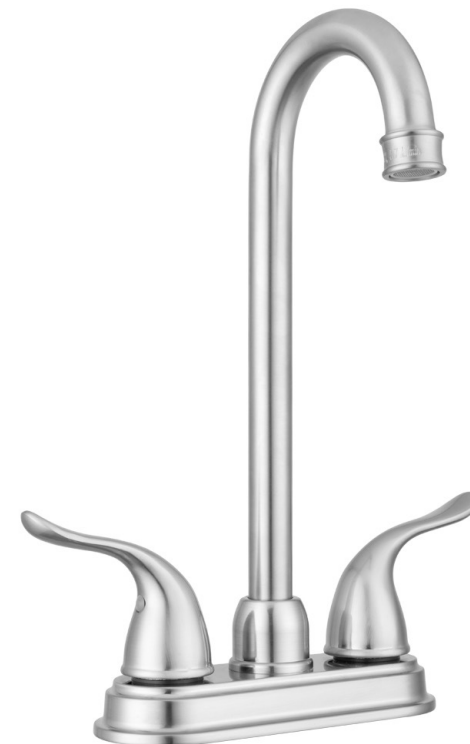
Pacific Bay will advise you on how to proceed in making warranty claims. To begin a warranty claim, write to Pacific Bay explaining the defect and include proof of purchase and your name, address and telephone number. Email is info@pacificbayfaucets.com.

* Never use cleaners containing abrasive cleansers, ammonia, bleach, acids, waxes, alcohol, solvents or other products not recommended for plated metal or plastic finishes. This will void the warranty.

19215 SE 34th St. Ste. 106-382
Camas, WA 98607



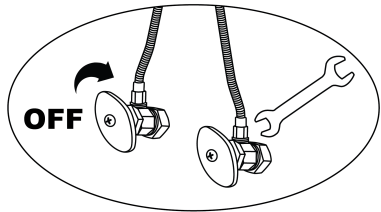
INSTALLATION MANUAL Treviso High-Rise Bar Faucet PB-B01



INSTALLATION OF THE FAUCET

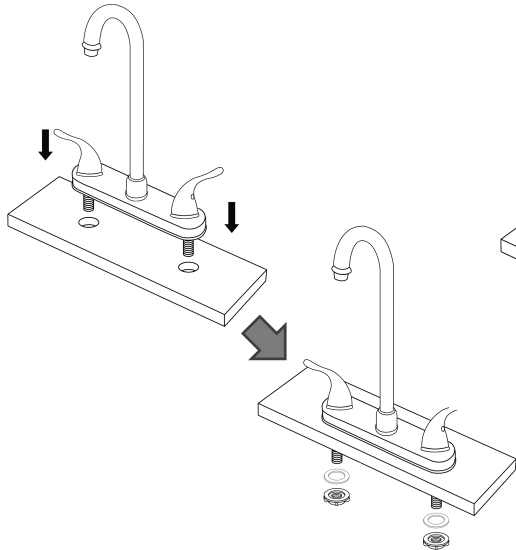
1 New Faucet Preparation

Shut off the water supply. Remove the old faucet by disconnecting the supply tubes under sink and then unscrewing the faucet from the counter top by removing the mounting nuts. Clean the sink top surface in preparation for the new faucet.



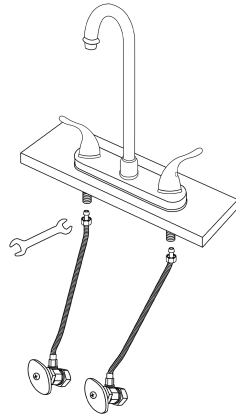
2 Install Faucet on Sink Top

Place the faucet in position on the sink. From under the sink, place the mounting nuts on the threaded shanks and tighten. Install the plastic deck plate under the faucet. (**Note:** If the sink surface is uneven or irregular, plumber's putty or a silicone sealant may be used to create a watertight seal. Plumber's putty may have an adverse reaction with some cultured marble or natural stone. In these cases a high-quality silicone sealant may be used.)



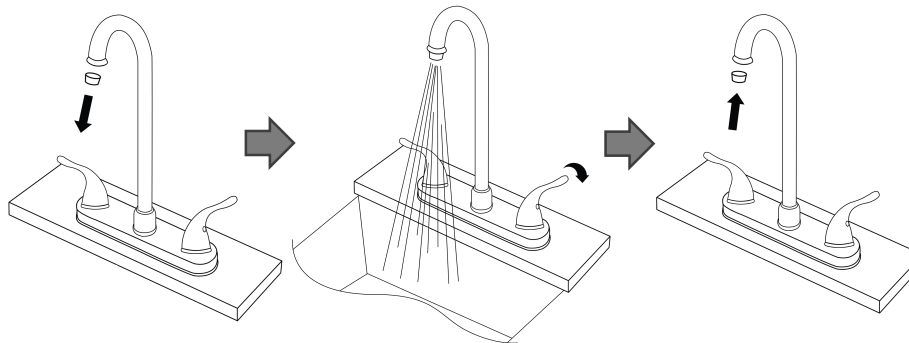
3 Install Faucet Hoses

If you have a hose supply that is long enough to reach the faucet lines, assemble as follows: slide water supply hose into faucet's connections, and side nut up to a flush position. Hose will go partially into faucet's connection. Carefully hand tighten nuts, then use a wrench to hold the hoses securely into place. Plumbers Tape may be used to help prevent leaks.



4 Remove Aerator and Flush

Once installation of hoses is complete, remove the aerator. Turn the water supply on and allow both hot and cold water to run for 30 to 60 seconds. While water is running, check for leaks around and under the sink. Once done replace aerator. Your Pacific Bay faucet is ready to use.



MAINTENANCE AND CLEANING

Cleaning Tips: The finish on your product is designed to retain its beautiful sheen for years. To maintain the original look of the finish, a little care and caution should be used. We recommend the use of mild soap and water to clean the product.

THE USE OF ABRASIVE CLEANERS MAY SCRATCH THE FINISH OR CAUSE OTHER DAMAGE.

RECOMMENDED TOOLS AND MATERIALS

- ◆ Adjustable Wrench
- ◆ Plumbers Tape (Thread Seal Tape)
- ◆ Plumber's Putty or Silicone Sealant

BEFORE YOU BEGIN

There are a variety of things to do before installing any new plumbing system into your home or residence. Before you begin work make sure you:

- ◆ Shut off the main water supply
- ◆ Cover your drain to prevent loss of parts
- ◆ Observed any local plumbing codes
- ◆ Inspect fixture for damage - Replace as necessary

Pacific Bay reserves the right to make any revisions in the design of products without notice.