



Assembly instructions for the cart, including tool requirements, estimated time, and personnel needed.

Tools: A circle containing a screwdriver and an Allen key, with a crossed-out power drill icon next to it, indicating that a power drill is not required.

Time: A clock icon with the text "45'" below it, indicating an estimated assembly time of 45 minutes.

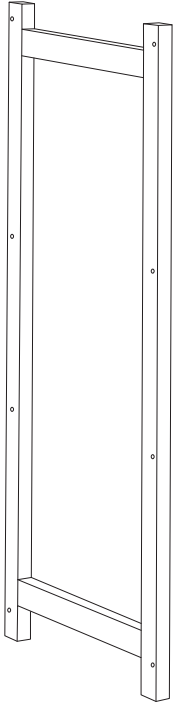
Personnel: A stick figure icon with the number "2" below it, indicating that two people are required for assembly.

Warnings: Two warning triangles (exclamation marks) are present. The first is connected to the tool requirements, and the second is connected to the personnel requirement.

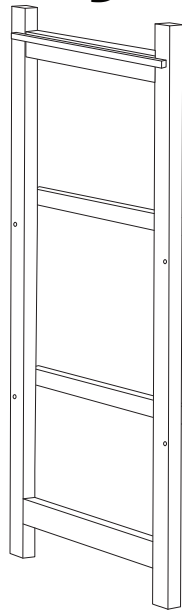
A



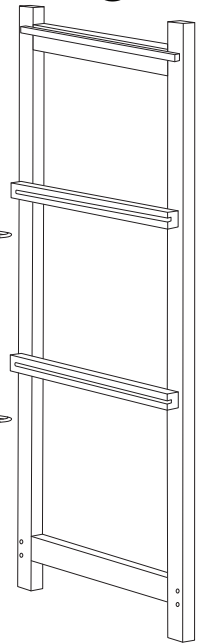
B



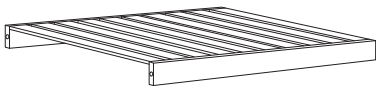
D



C



F



b



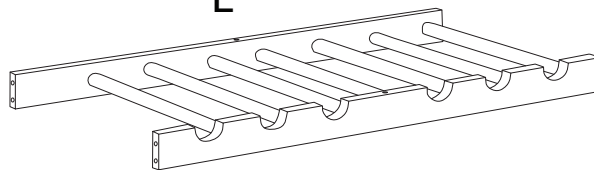
F



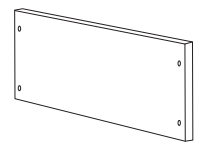
b



E



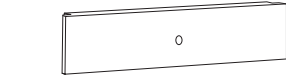
J



K



I



H

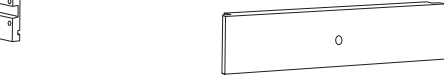


G

K



I



H



G

A



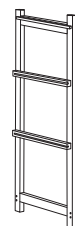
x 1

B



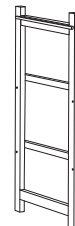
x 1

C

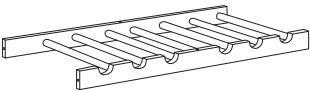

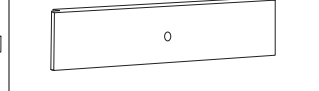




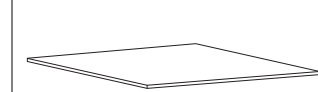
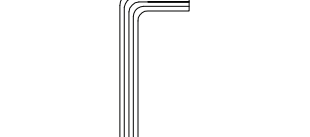

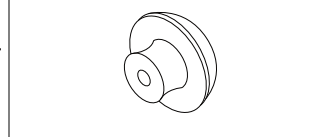
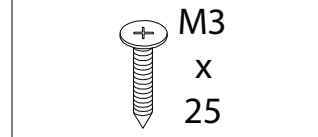
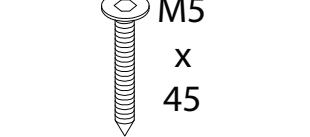
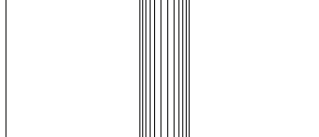
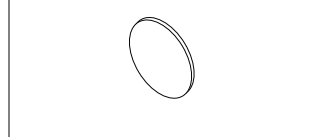
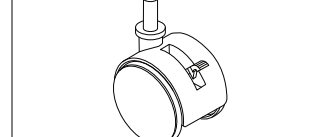
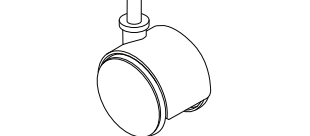
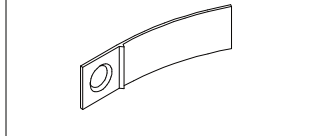
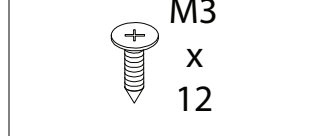
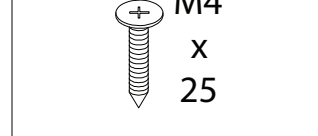


x 1

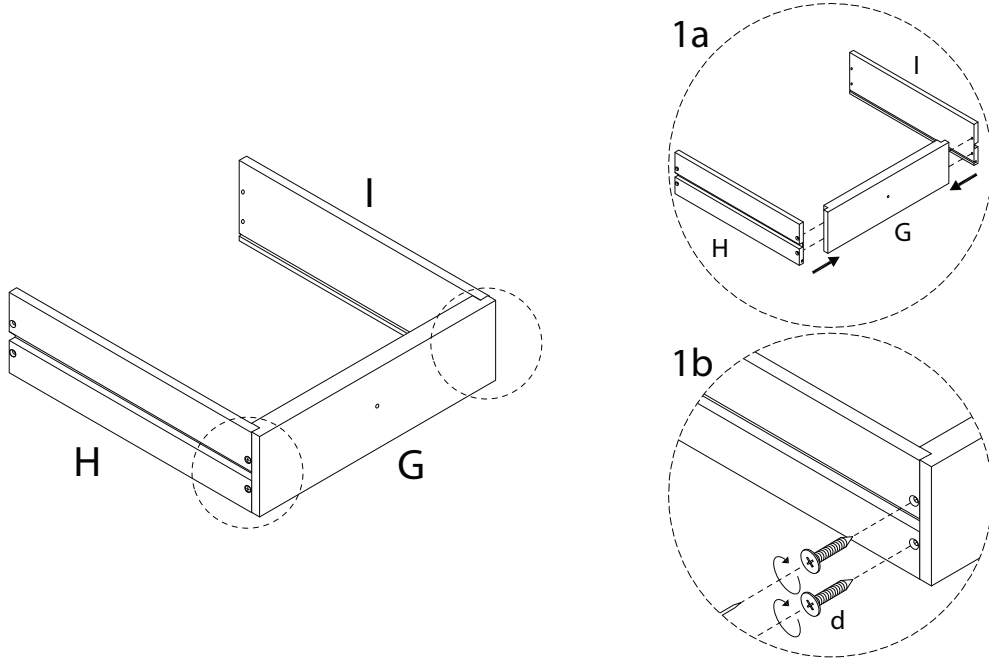
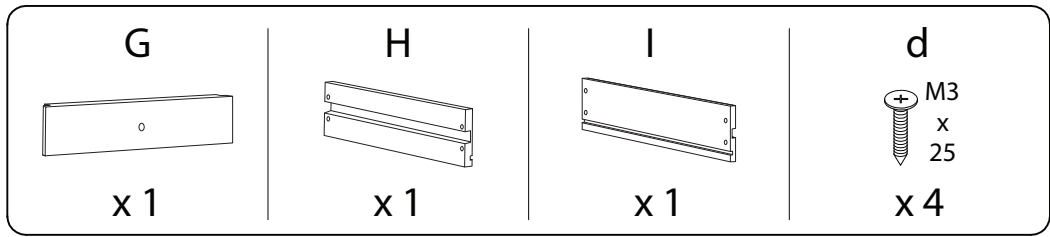
D



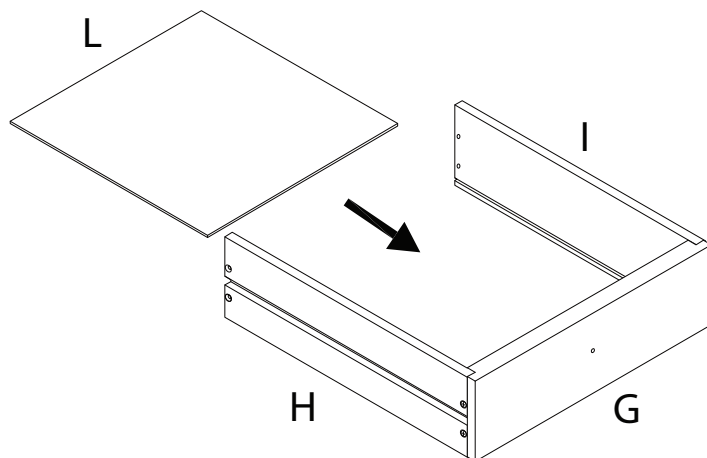
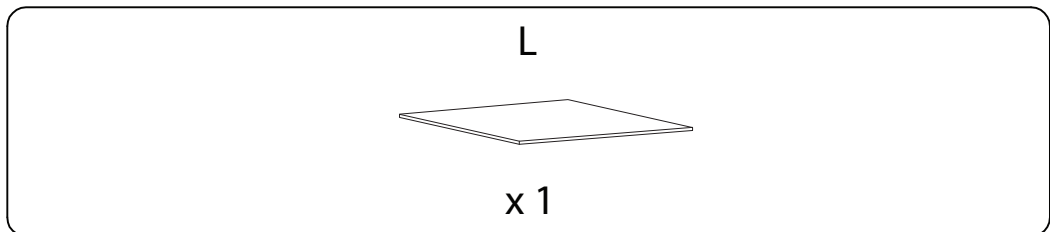
x 1

<p>E</p>  <p>x 1</p>	<p>F</p>  <p>x 2</p>	<p>G</p>  <p>x 2</p>	<p>H</p>  <p>x 2</p>
<p>I</p>  <p>x 2</p>	<p>J</p>  <p>x 1</p>	<p>K</p>  <p>x 2</p>	<p>L</p>  <p>x 2</p>
<p>a</p>  <p>x 1</p>	<p>b</p>  <p>x 2</p>	<p>c</p>  <p>x 2</p>	<p>d</p>  <p>M3 x 25</p> <p>x 20</p>
<p>e</p>  <p>M5 x 45</p> <p>x 18</p>	<p>f</p>  <p>x 6</p>	<p>g</p>  <p>x 12</p>	<p>h</p>  <p>x 2</p>
<p>i</p>  <p>x 2</p>	<p>j</p>  <p>x 2</p>	<p>k</p>  <p>M3 x 12</p> <p>x 2</p>	<p>l</p>  <p>M4 x 25</p> <p>x 2</p>

1 x 2



2 x 2



3 x 2

K

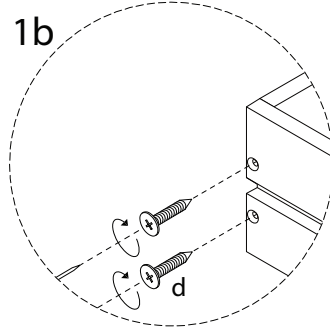
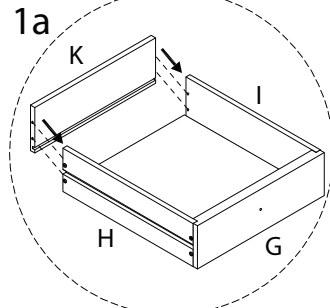
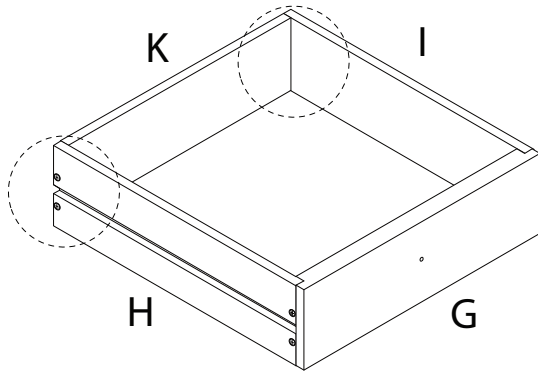


x 1

d



x 4



4 x 2

c

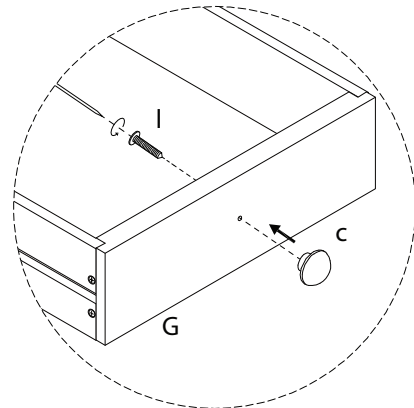
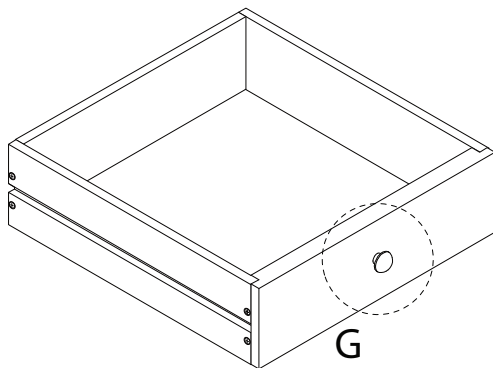


x 1

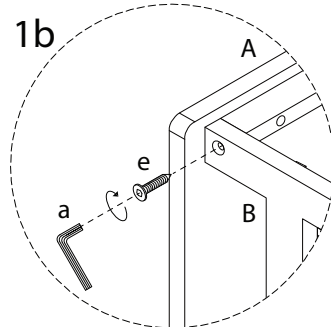
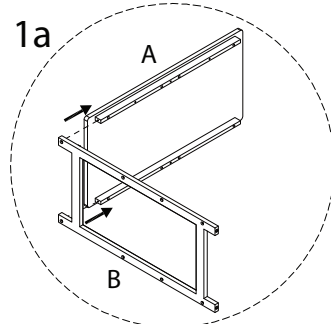
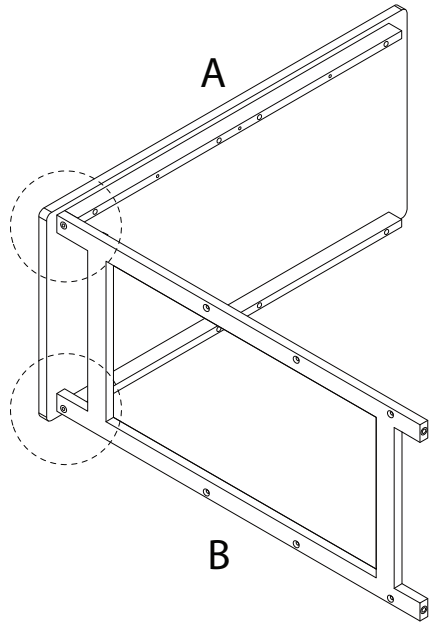
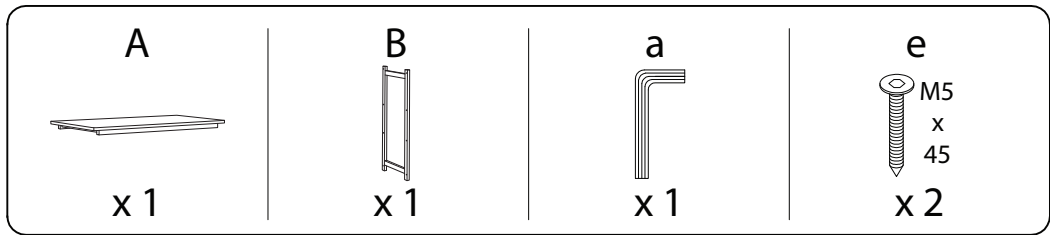
I



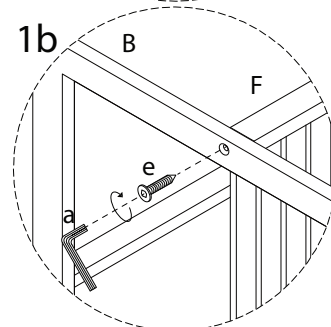
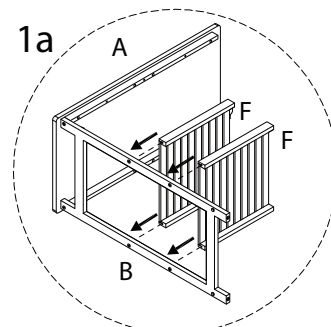
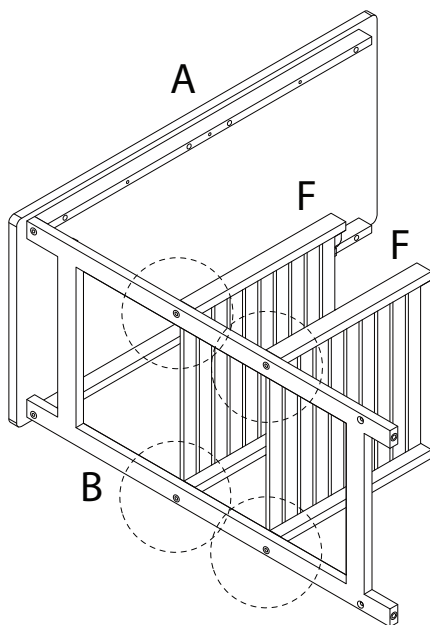
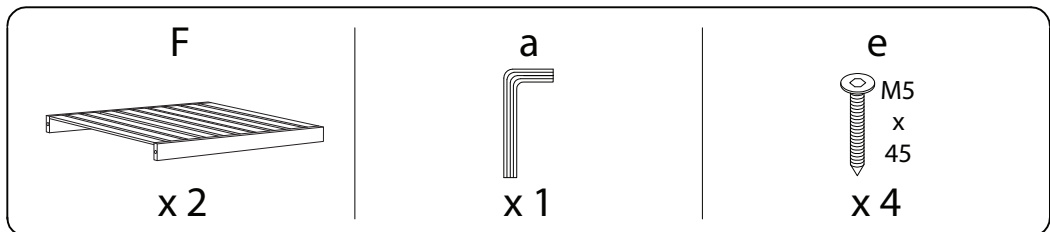
x 1



5

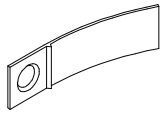


6



7

j



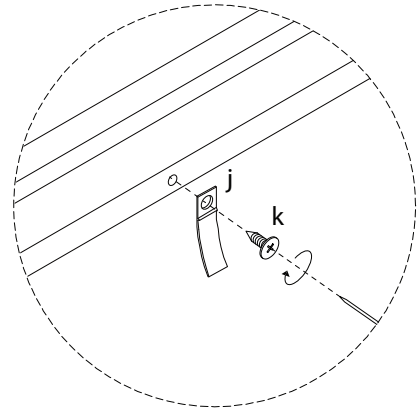
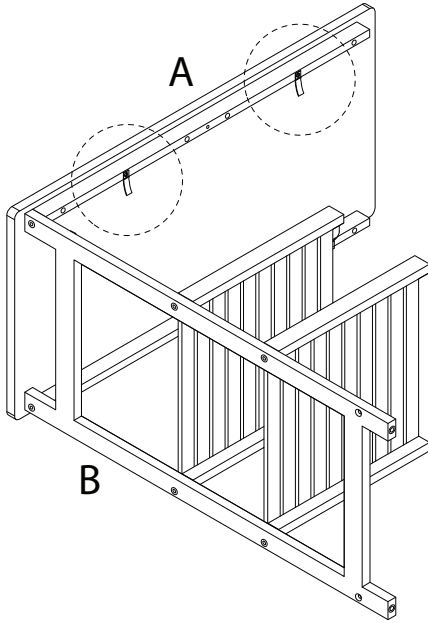
x 2

k



M3
x
12

x 2



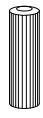
8

D

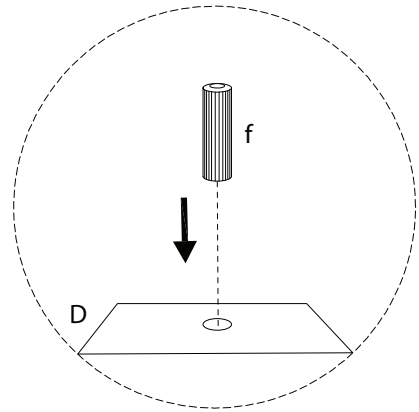
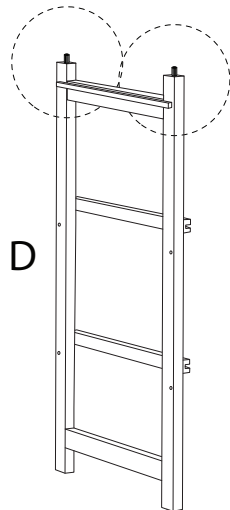


x 1

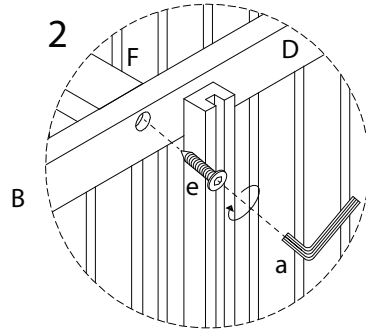
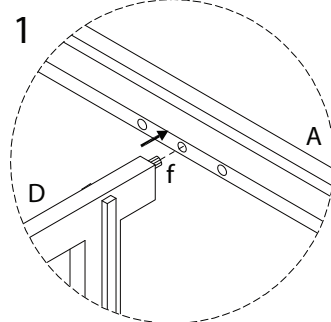
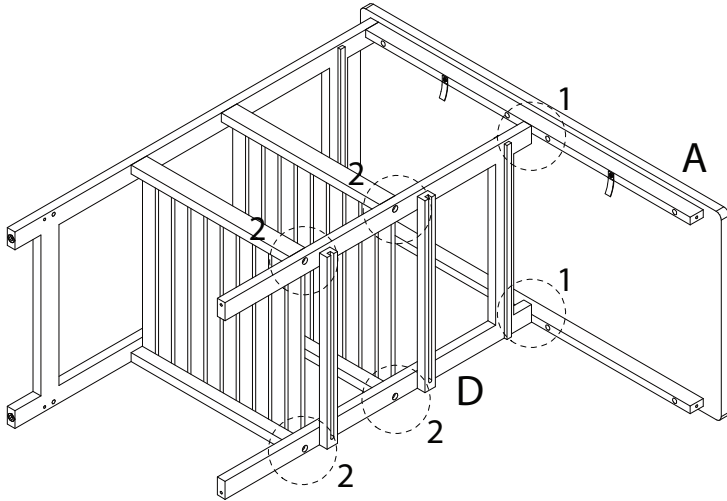
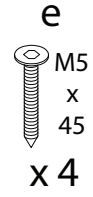
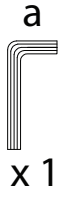
f



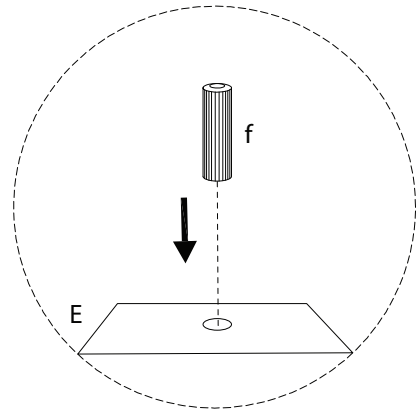
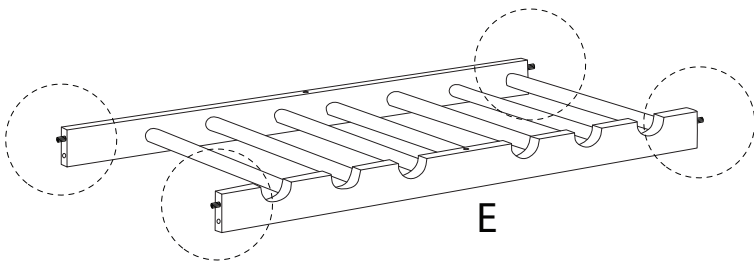
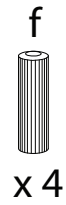
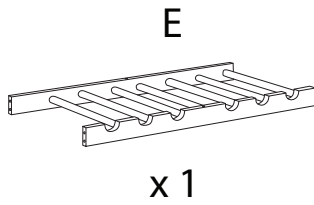
x 2



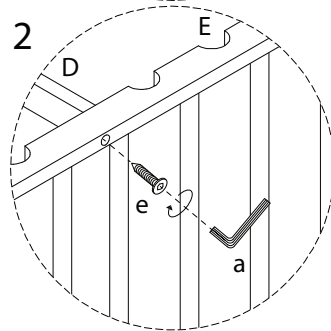
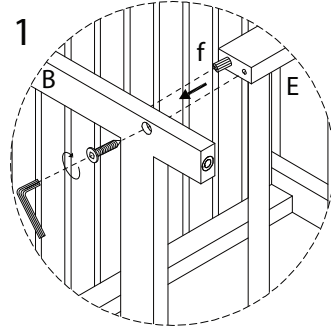
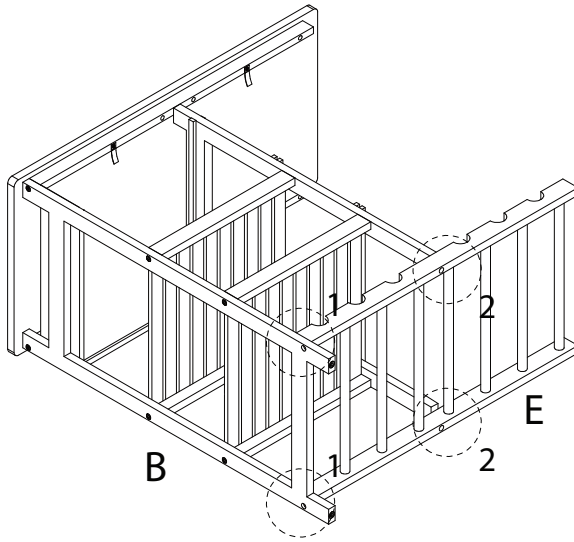
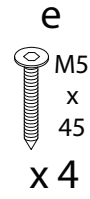
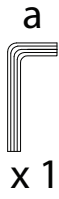
9



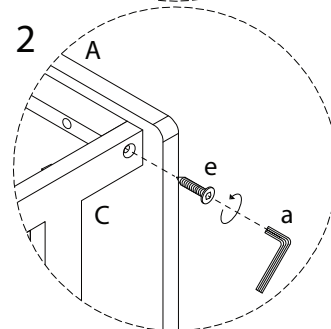
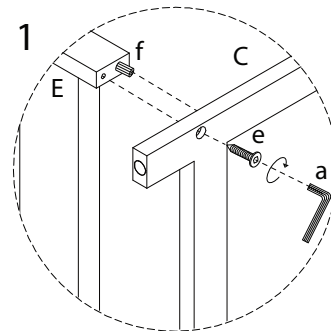
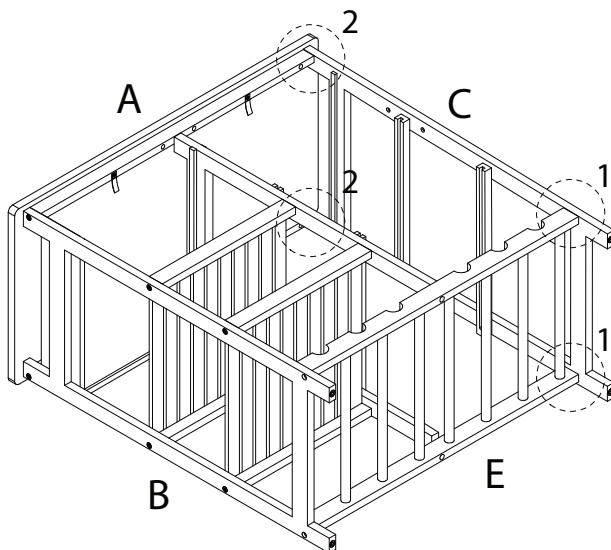
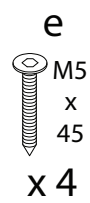
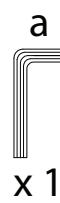
10



11

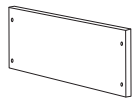


12



13

J

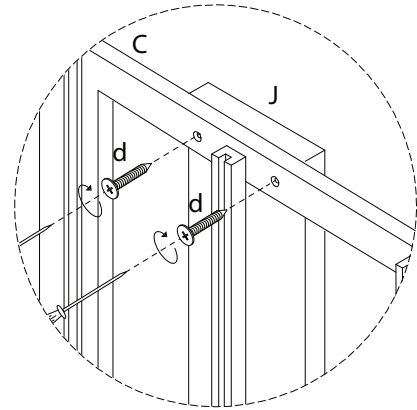
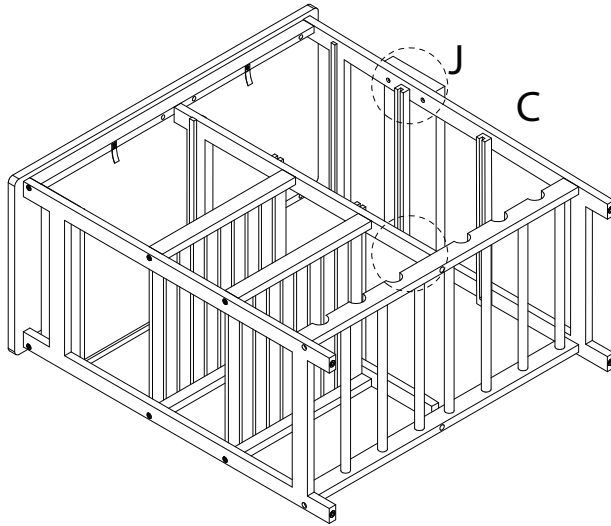


x 1

d

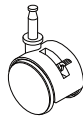


x 4



14

h

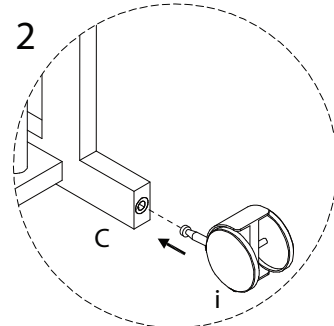
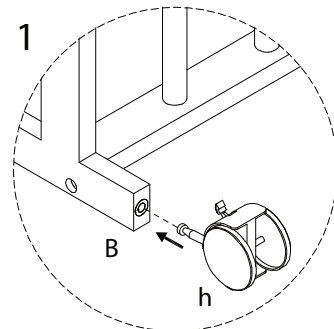
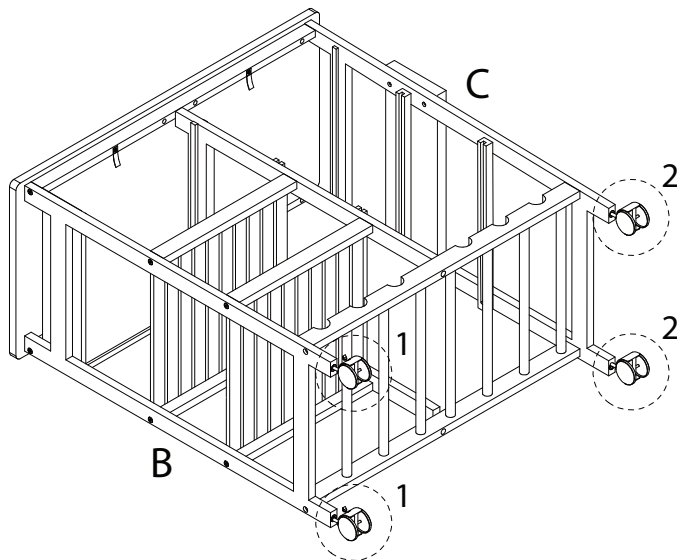


x 2

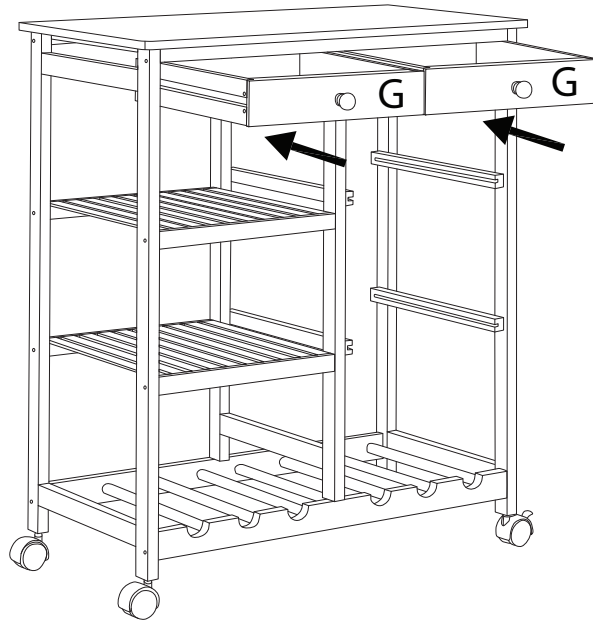
i



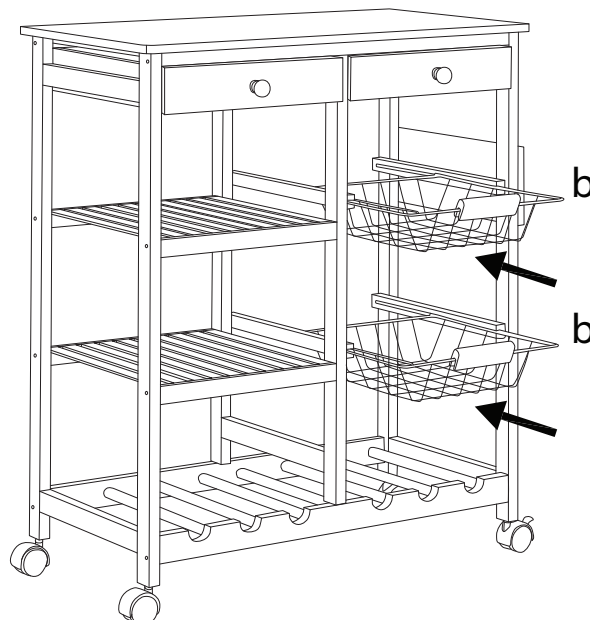
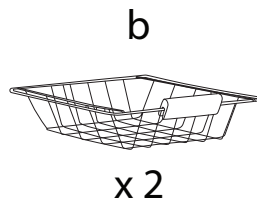
x 2



15



16



17

g



x 12

