

## NOTICE

- \* Please make sure that you have all parts indicated and they are in good condition before you begin assembly of this item. Refer to part list and hardware list below for guidance.
- \* This item should be assembled on a soft surface to prevent scratching the finish during assembly
- \*This item may require periodic tightening.

## PREPARATION

- \* Before beginning assembly of product, make sure all parts are present. Compare parts with part contents list and hardware contents list.
- \* If any part is missing or damaged, do not attempt to assemble the product.
- \* Estimated Assembly Time: **10 minutes.**
- \* Tools Required for Assembly (included): **Allen Key**




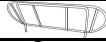

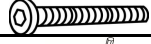

## CARE AND MAINTENANCE

Wipe spills immediately. Maintain with regular dusting and clean with mild soap and water, dry thoroughly and do not use a brass cleaner.

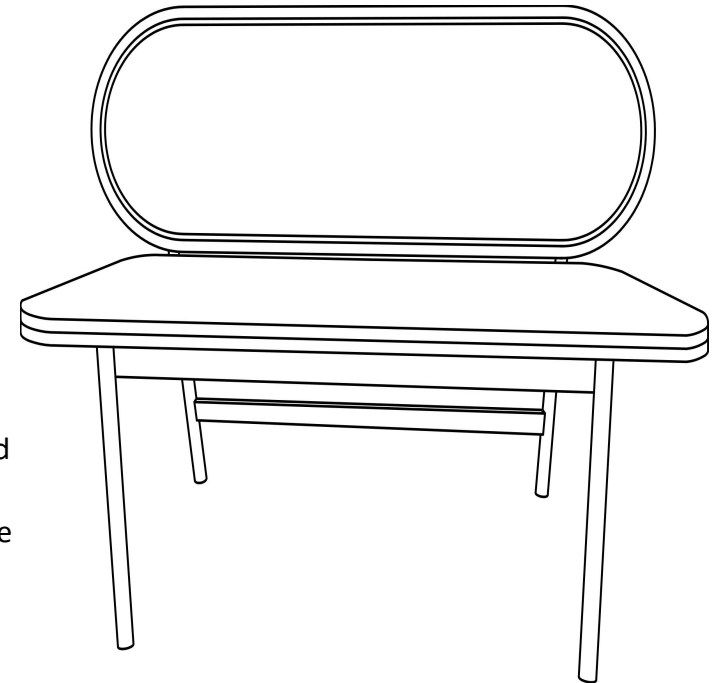
Adhesive felt pads should always be used/applied in order to prevent damage to the furniture or surfaces on which the furniture is placed.

Always use felt pads under all articles to prevent discoloration or softening of the lacquer. Plastic and rubber bases on items can discolor wood. Wipe up spills immediately and avoid common hazards such as hot dishes, harsh solvents and abrasives. Cleaning should be done with a soft lint free cotton cloth dampened with water or furniture polish. On highly used surfaces we recommend applying a quality paste wax which should be used on a regular basis to provide additional protection from scratches and spills. How often you apply the wax depends on how much wear the furniture receives.

### Part List and Hardware List

| Piece | Description            | Picture  | Quantity |
|-------|------------------------|--|----------|
| A     | Top                    |  | 1X       |
| B     | Leg                    |   | 2X       |
| C     | Shelf                  |  | 2X       |
| D     | Seat back              |   | 1X       |
| HW1   | Allen Bolt (M6x1x12mm) |   | 12X      |
| HW2   | Allen Bolt (M6x1x35mm) |   | 8X       |
| HW3   | Allen Key              |   | 1X       |

Product Dimensions: 43.5"Wx19.7"Dx31.3"H



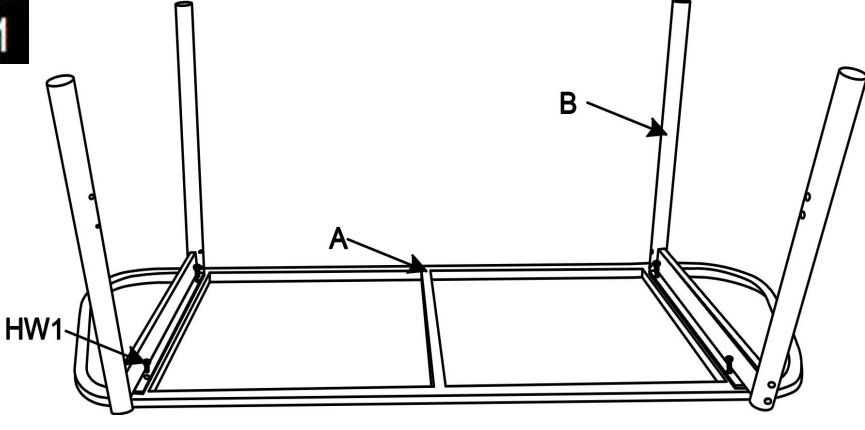
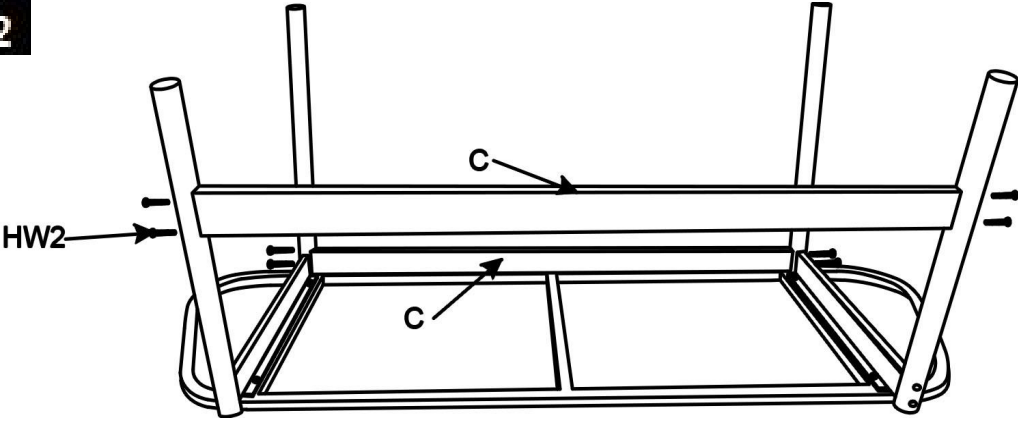
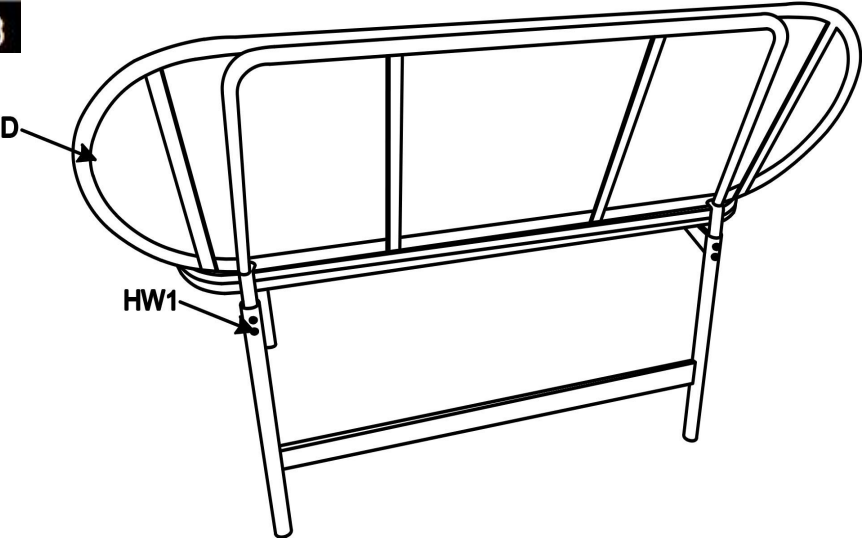
**WARNING:**  
WEIGHT CAPACITY 550 LBS.  
DO NOT STAND ON CHAIR

## Preparation

Before beginning assembly of product, make sure all parts are present. Compare parts with package contents list and hardware contents list.  
If any part is missing or damaged, do not attempt to assemble the product.

Estimated Assembly Time: 10 minutes.

Tools requires for assembly: Allen Key

|   |   |
|---|---|
|  <p>Diagram 1 shows the top of the chair (A) being turned face down. Two legs (B) are being attached to the top using Allen bolts (HW1). The legs are positioned at the front corners of the top.</p> |  <p>Diagram 2 shows the top (A) with legs (B) attached. Two shelves (C) are being attached to the legs using Allen bolts (HW2). The shelves are positioned horizontally across the legs.</p> |
| <p>Turn top (A) face down, attach legs (B) to the top using Allen bolts (HW1). Do not tighten</p>   | <p>Attach shelves (C) to legs (B) together using Allen bolts (HW2). Do not tighten</p>  |
|  <p>Diagram 3 shows the seat back (D) being attached to the top (A) using Allen bolts (HW1). The seat back is positioned at the rear of the top.</p>   |   |
| <p>Attach the seat back (D) to the top (A) together using Allen bolts (HW1). Tighten all Allen Bolts</p>  |   |