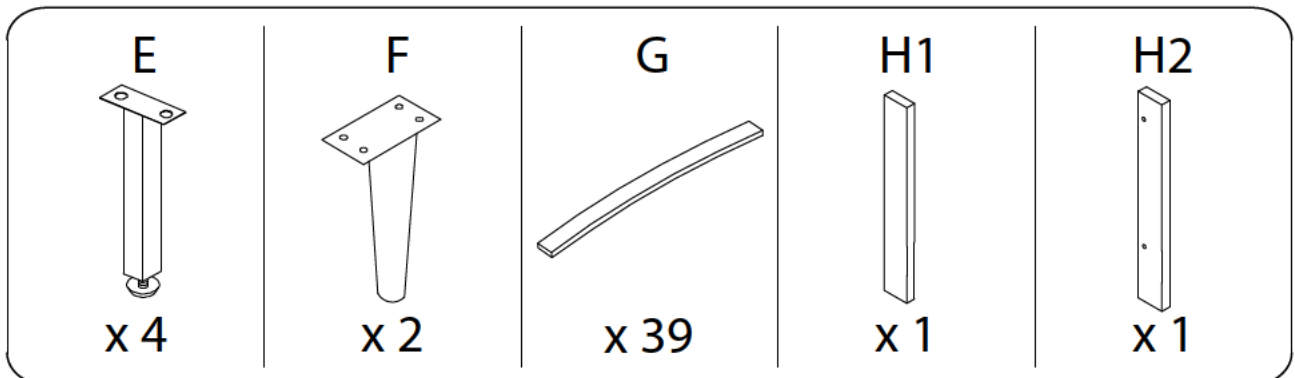
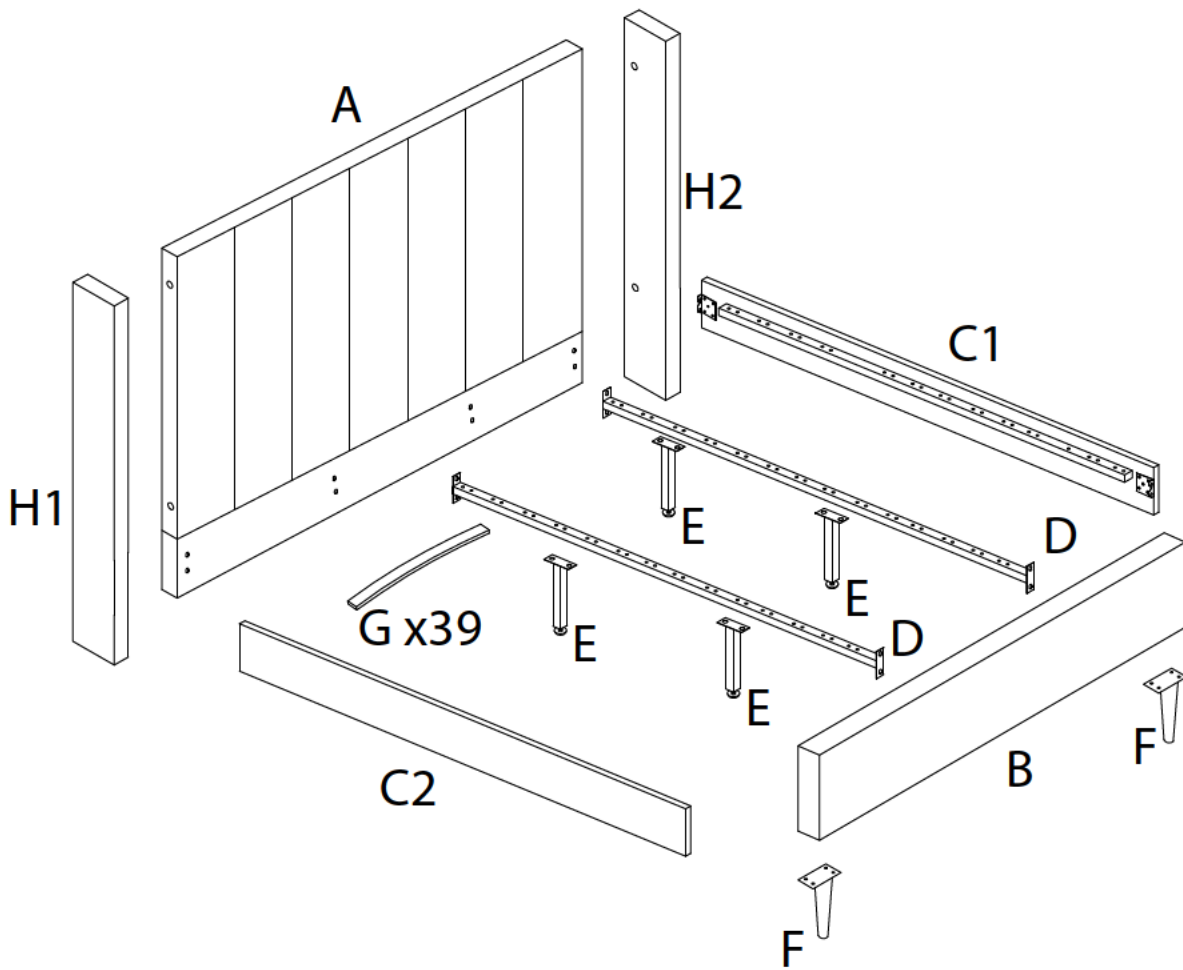
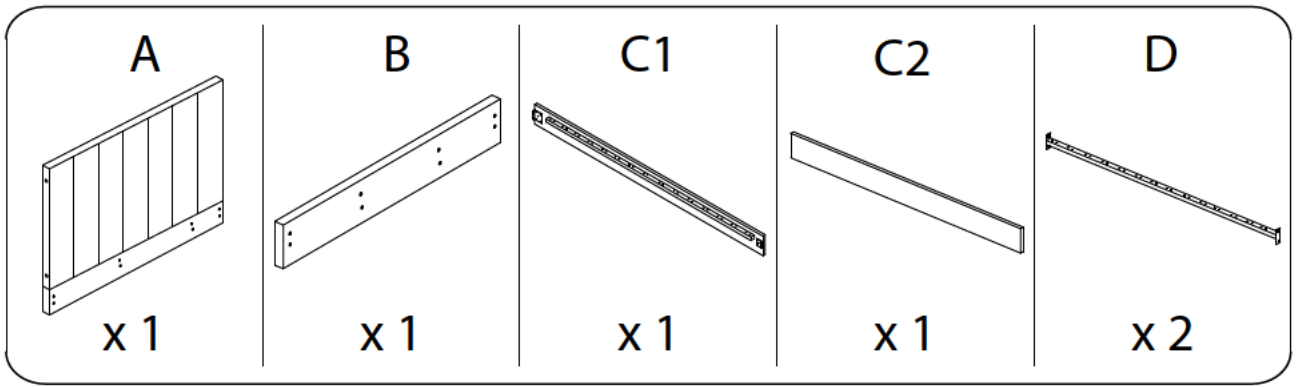
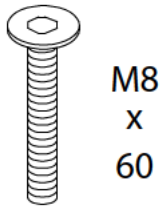


Assembly instructions for step 1/6:

- Tools:** An icon in a circle shows an L-shaped Allen key and a screwdriver. A power drill is shown with a diagonal line through it, indicating it should not be used.
- Warning:** A triangle with an exclamation mark indicates a warning.
- Time:** A clock icon is shown with the number 45' below it, indicating the estimated assembly time.
- Personnel:** An icon of a person is shown with the number 2 below it, indicating that two people are required for assembly.



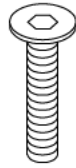
I



M8  
x  
60

x 4

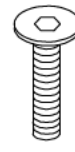
J



M8  
x  
40

x 16

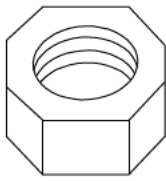
K



M8  
x  
30

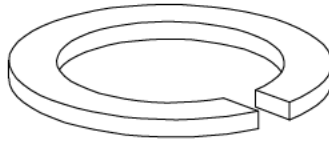
x 8

L



x 8

M



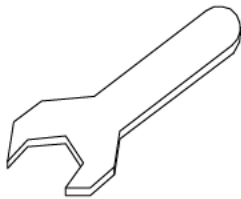
x 28

N



x 28

O



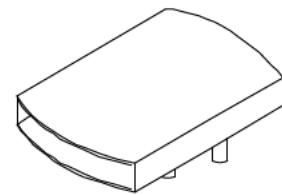
x 1

P



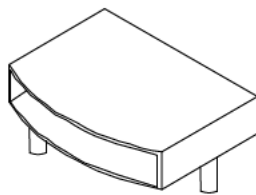
x 1

Q



x 26

R



x 26

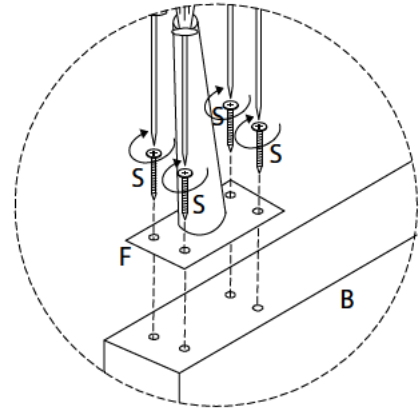
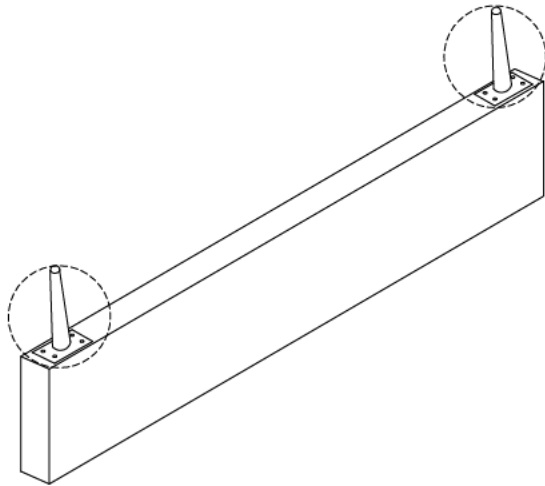
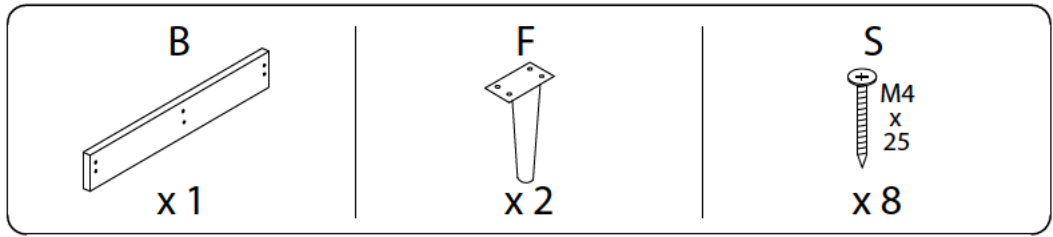
S



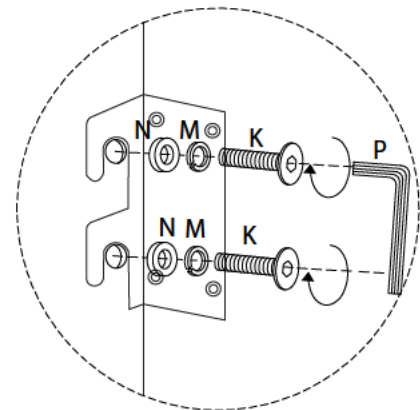
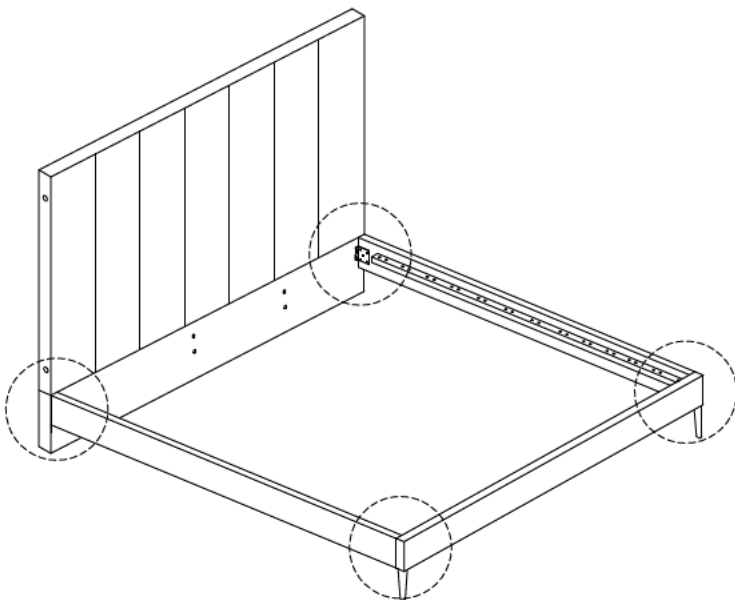
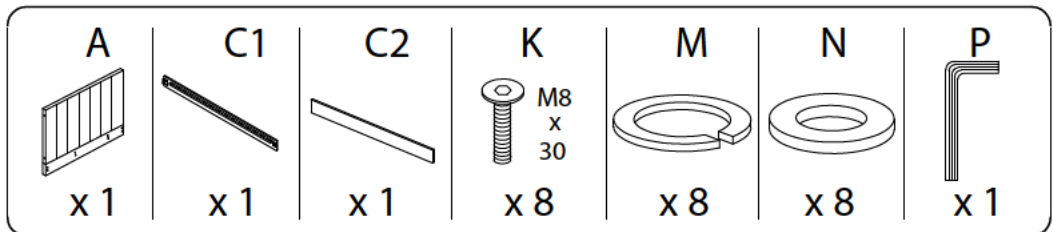
M4  
x  
25

x 8

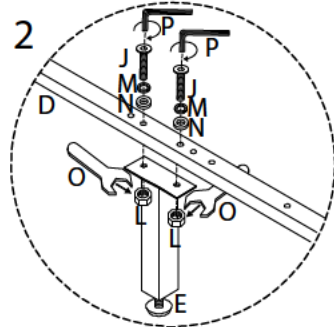
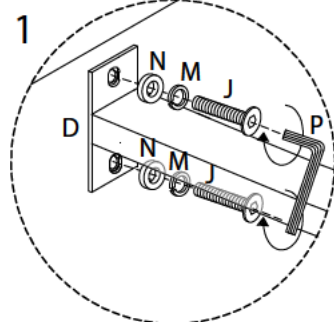
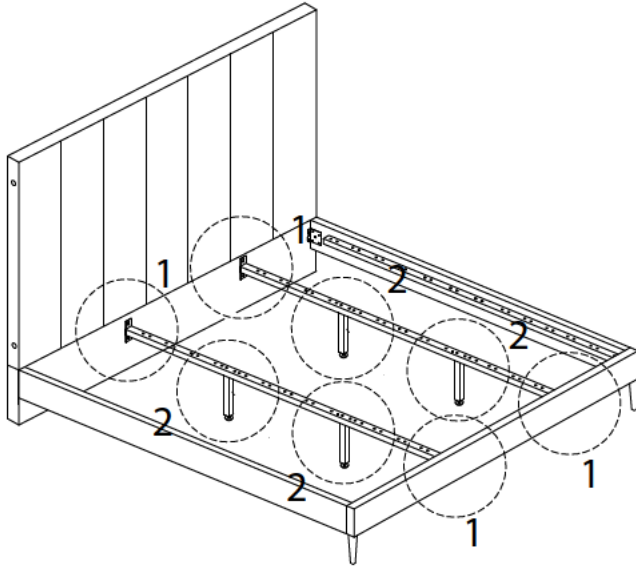
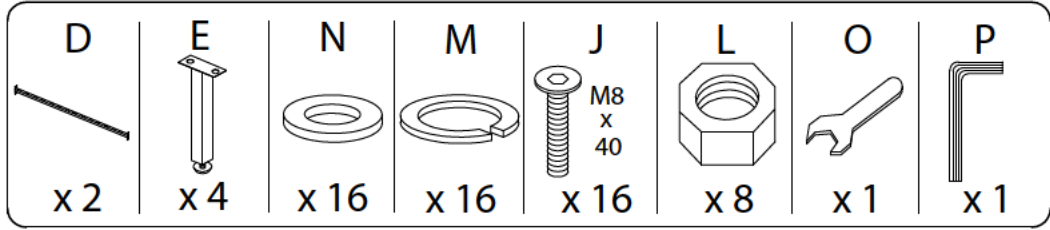
1



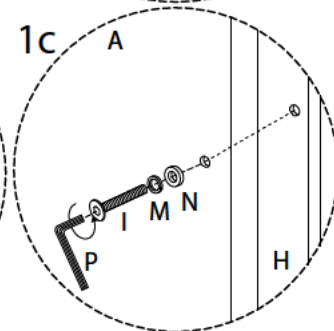
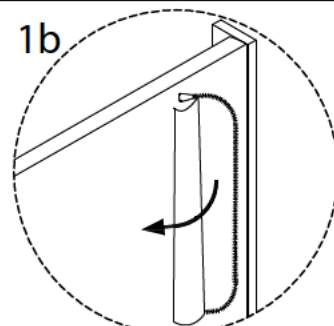
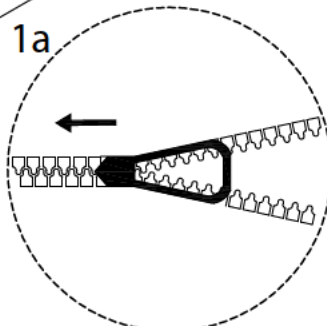
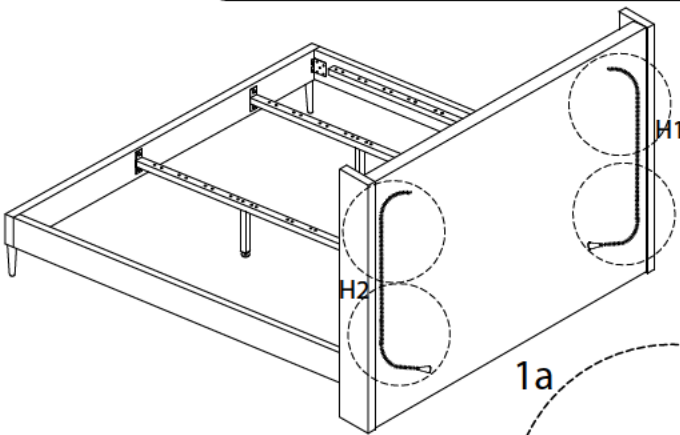
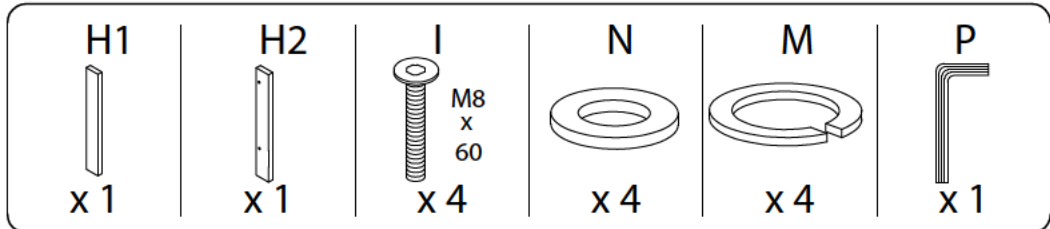
2



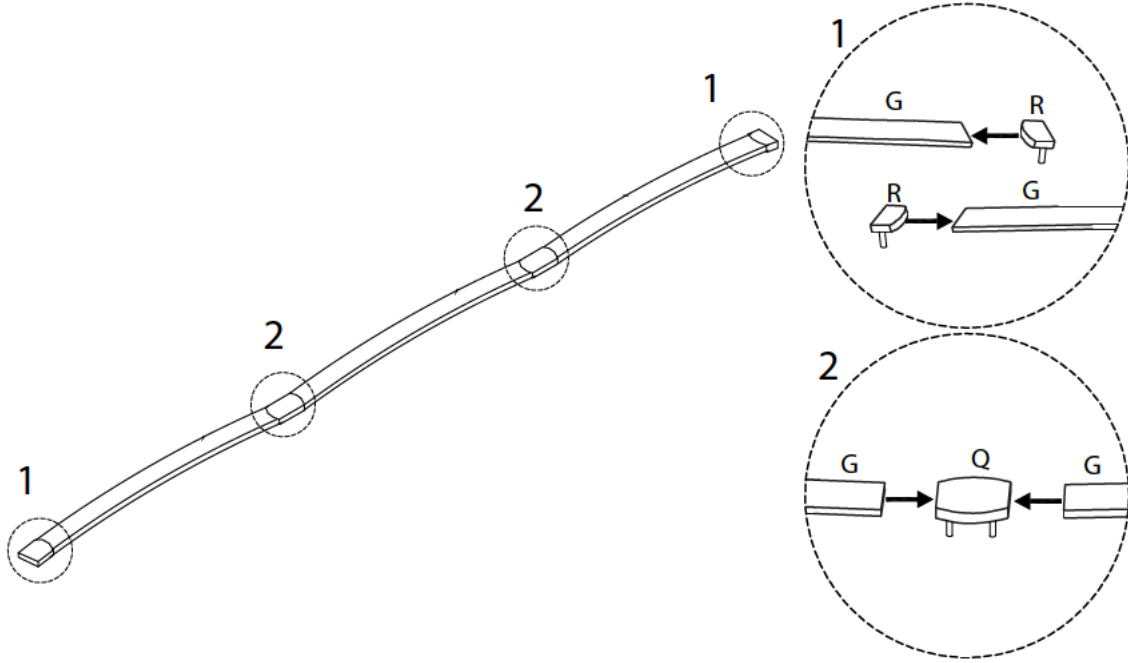
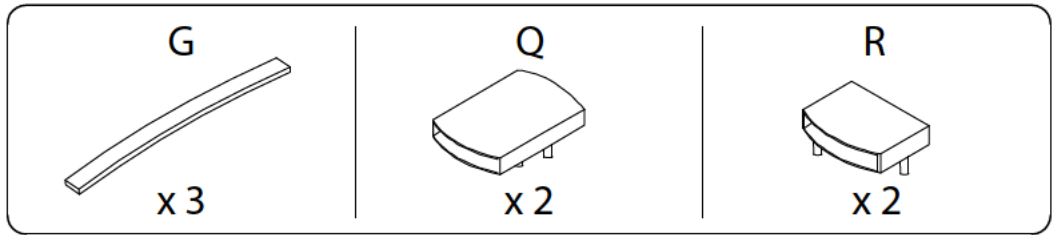
3



4



5 x13



6 x13

