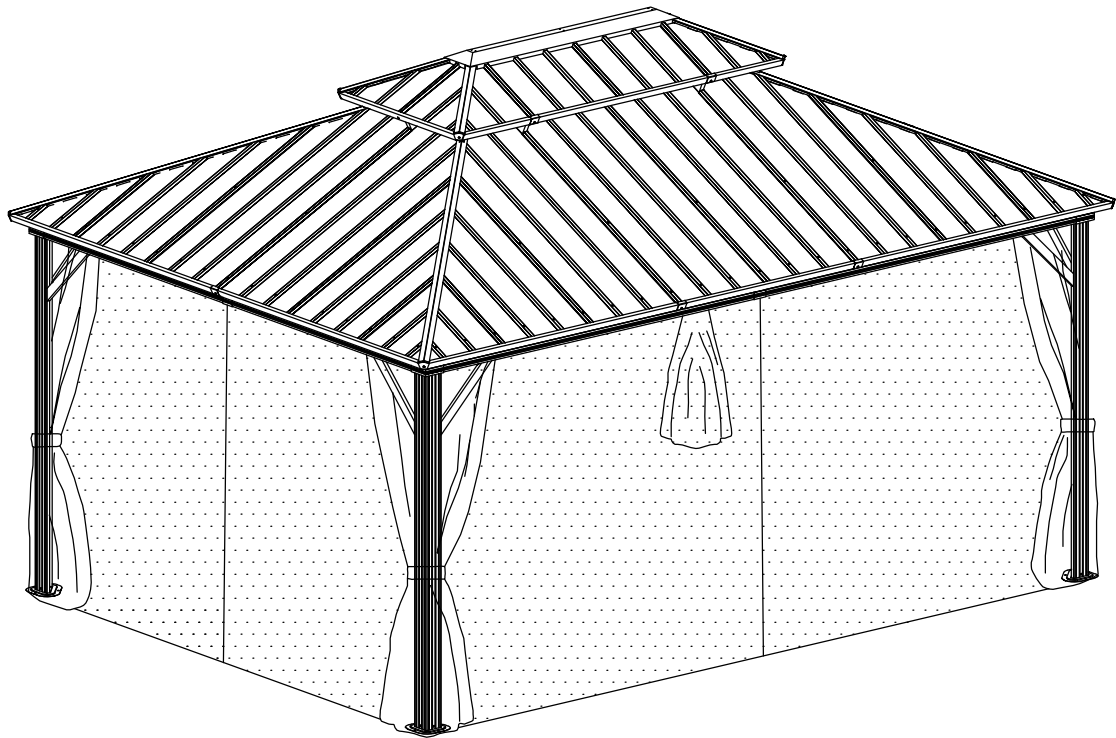


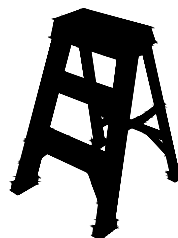
12 x 16FT

|| || || || || || || WQG-025-2 || || || || || || ||



Need at least three people to work together

REQUIRED TOOLS





A 4x



B1 2x



B2 2x



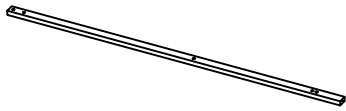
B5 2x



B6 2x



D7 4x



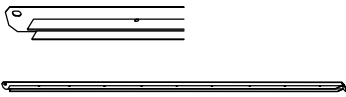
D10 2x



D11 4x



D8 4x



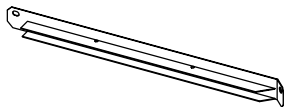
C1 4x



C2 4x



C4 4x



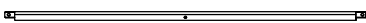
C5 2x



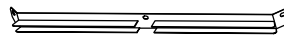
C6 2x



G1 2x



F4 2x



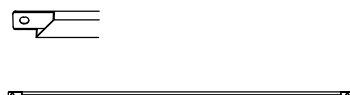
I1 2x



I10 2x



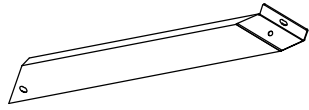
F1 4x



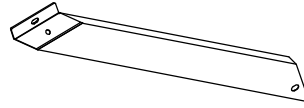
F2 4x



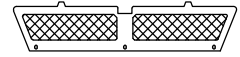
F8 2x



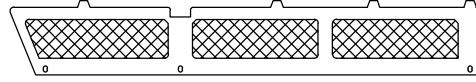
H 4x



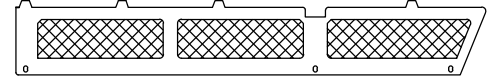
H1 4x



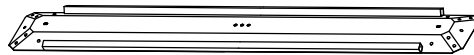
V1 2x



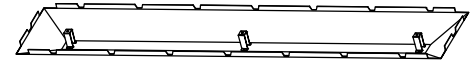
V7a 2x



V7b 2x



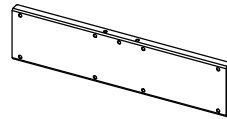
L3C 1x



M3 1x



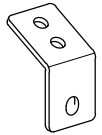
J 4x



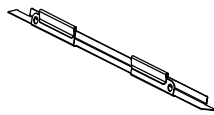
P 4x



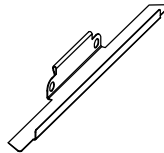
V 4x



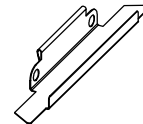
Q1 6x



Z 64x



Z1 8x



Z2 8x



Y 84x



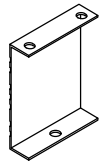
U 128x



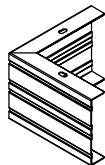
N 12x



N1 10x



K1 4x



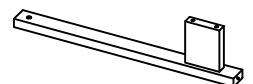
K 4x



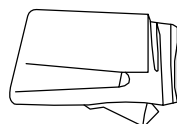
Q3 8x



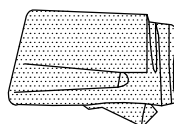
Q4 8x



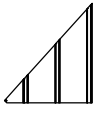
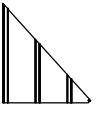
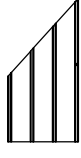
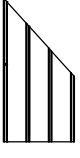


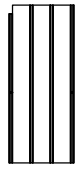
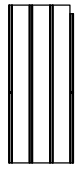
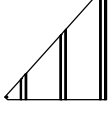
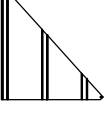
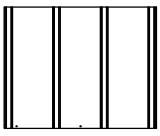




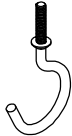

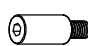


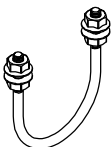

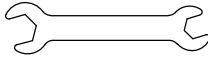

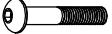
D9 6x



T 4x



T1 4x

 X1 4x	 X2 4x	 X3 4x	 X4 4x
 X5 4x	 X6 4x	 X7 2x	 X8 2x
 S1 4x	 S2 4x	 S3 4x	
 M6x15 1 179x	 M6x23 2 74x	 M6x25 3 12x	 ST 4.8x12 4 8x
 5 2x	 M6x45 7 10x	 8 16x	 M6x10 9 10x
 10 12x	 11 1x	 12 2x 4mm	 14 1x
 M5x15 15 32x	 M6x35 16 12x		

<1>

A 4x



J 4x



Q3 8x



Q4 8x



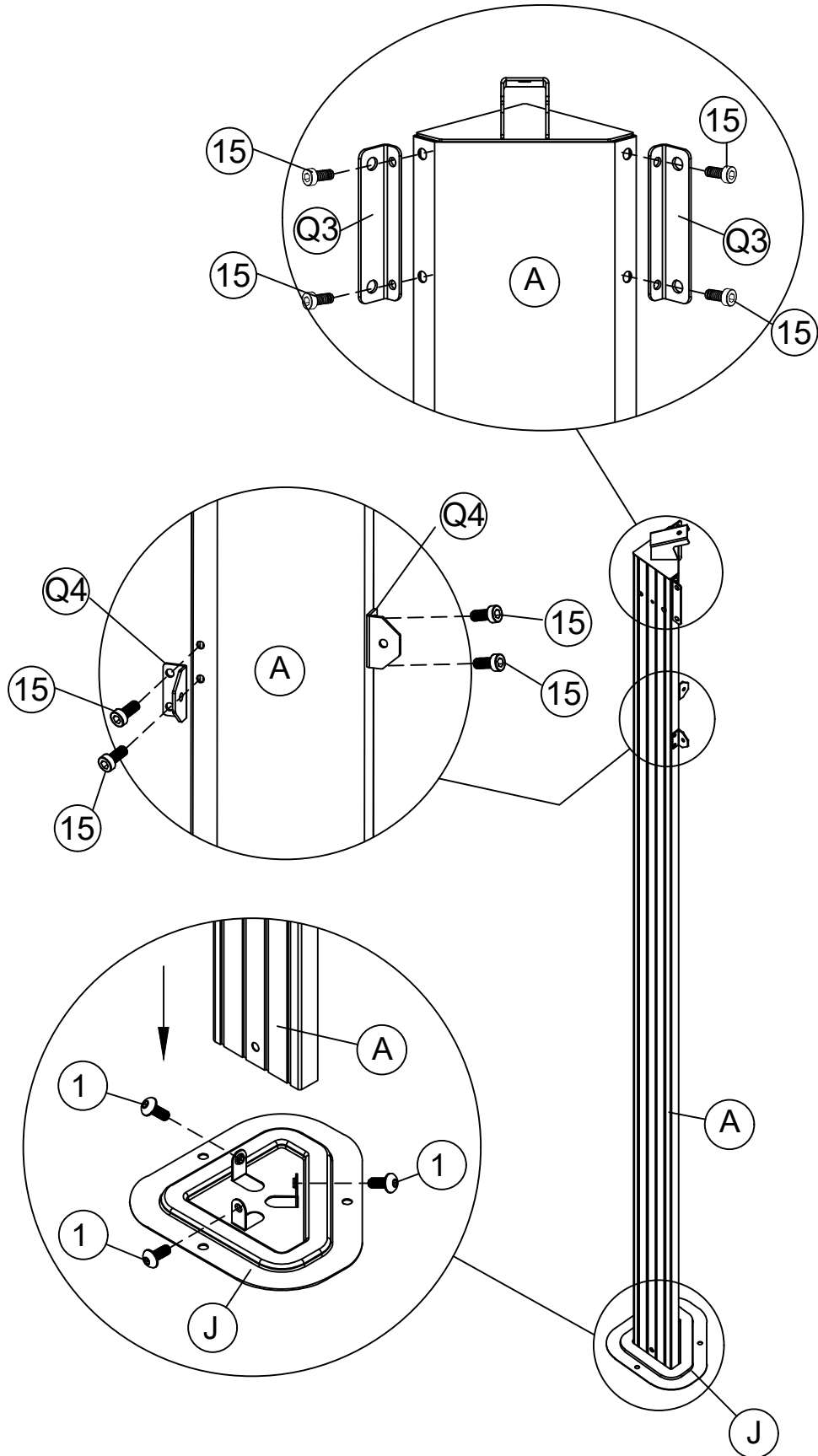
M6x15
1 12x



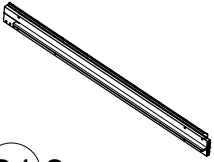
M5x15
15 32x



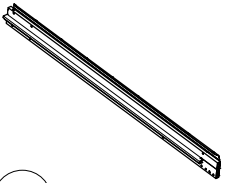
5



<2>



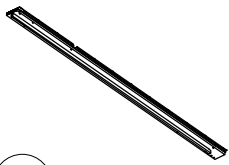
B1 2x



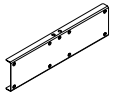
B2 2x



B5 2x



B6 2x

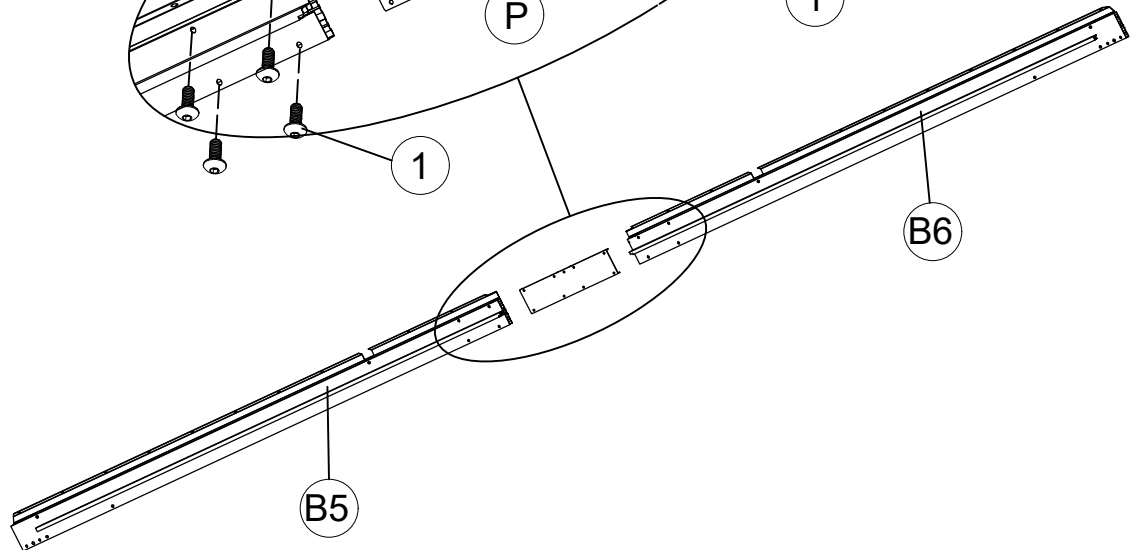
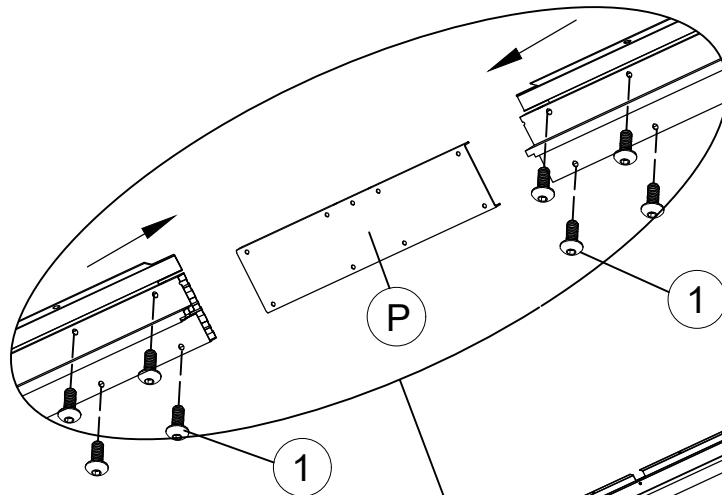
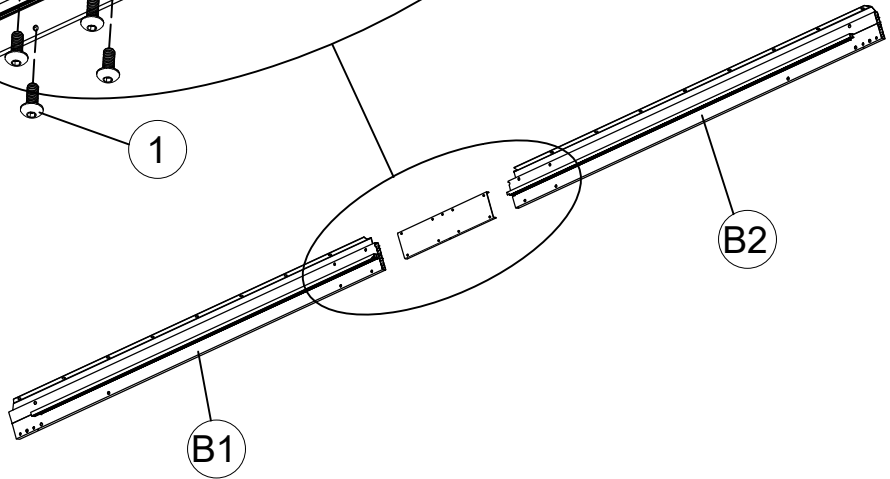
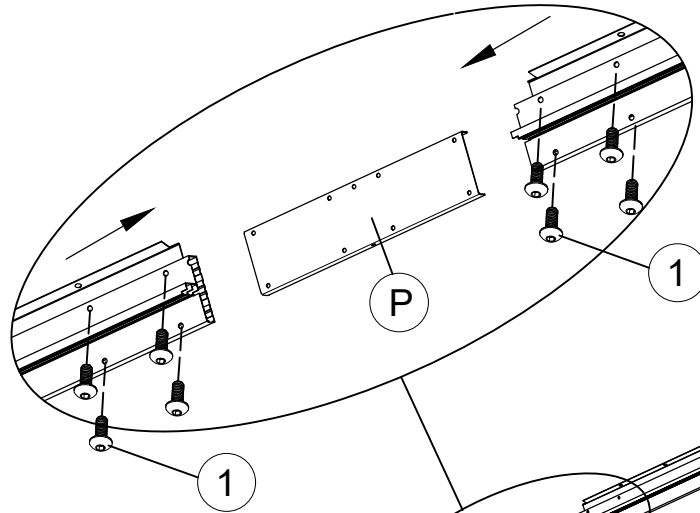


P 4x



M6x15

1 32x



6



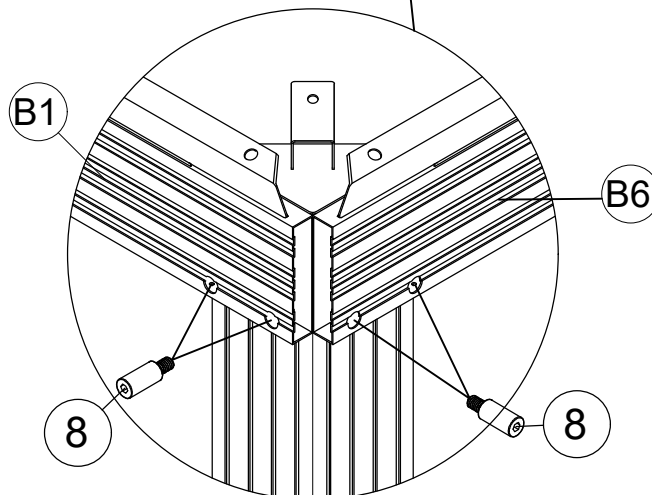
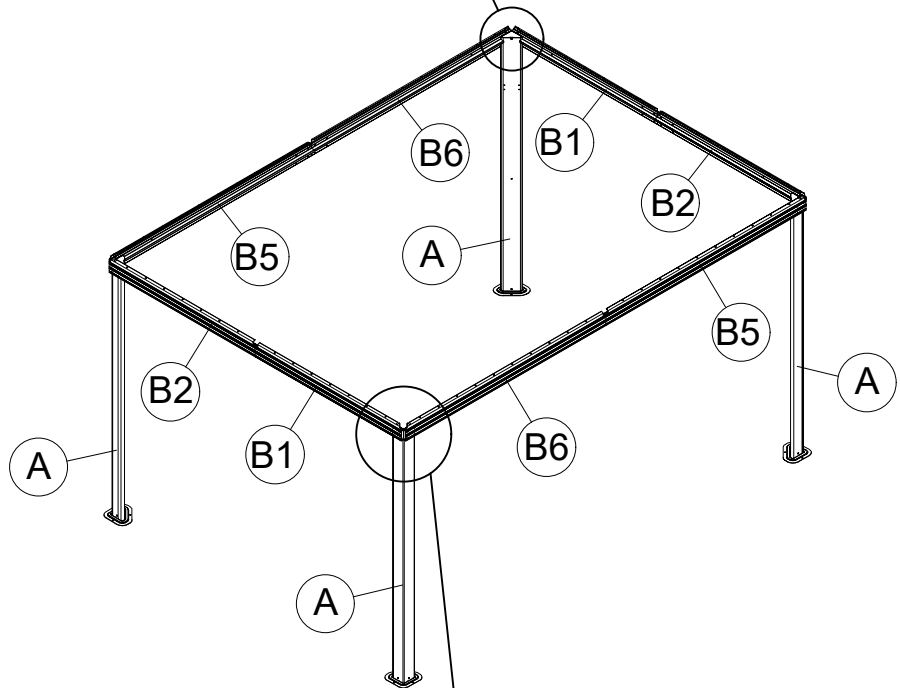
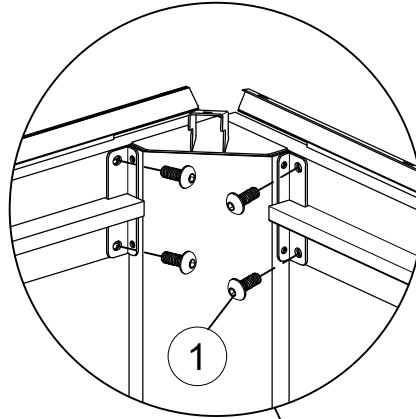
8 16x



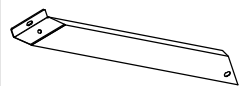
M6x15

1 16x

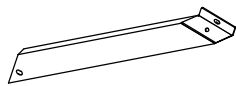
<3>



7



H1 4x



H 4x



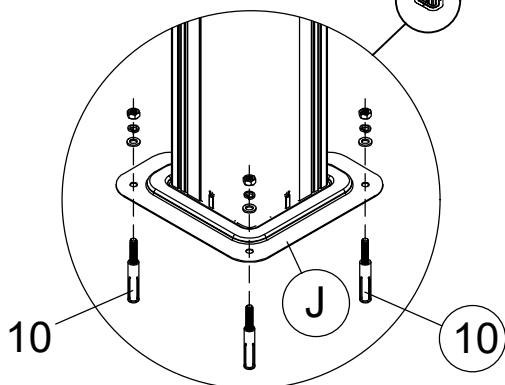
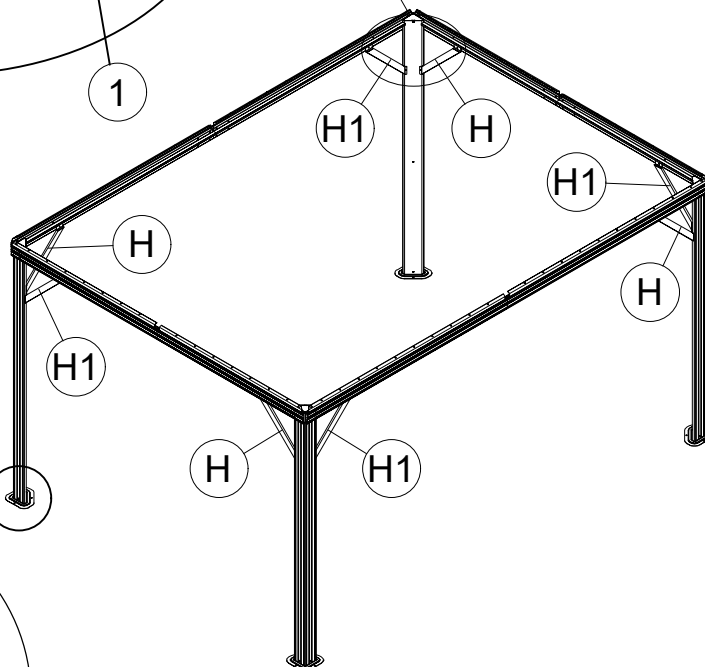
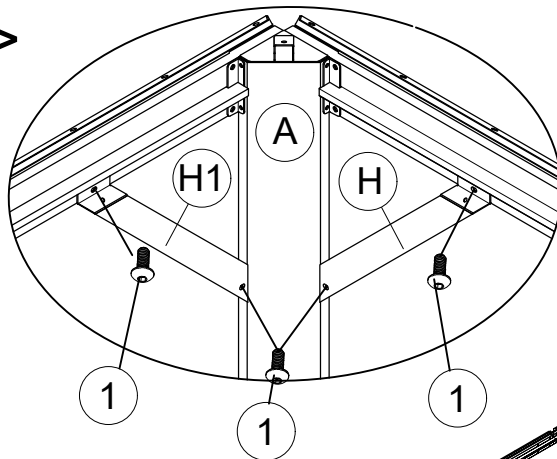
M6x15

1 16x

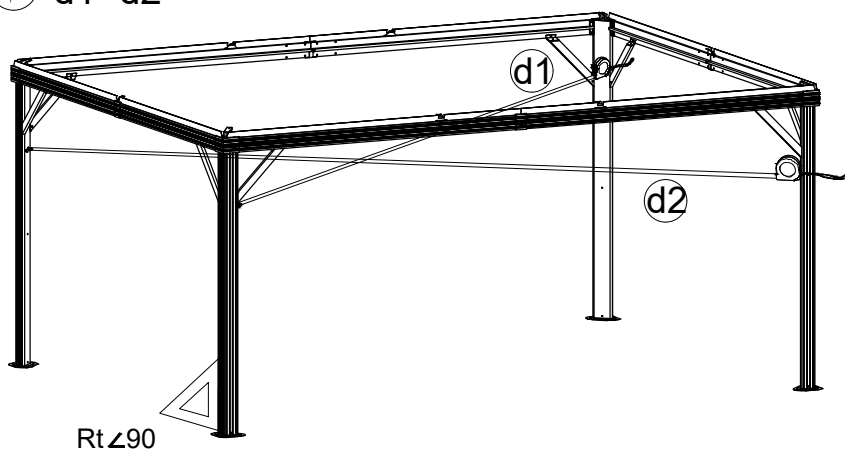


10 12x


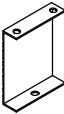

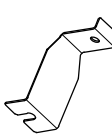


<4>



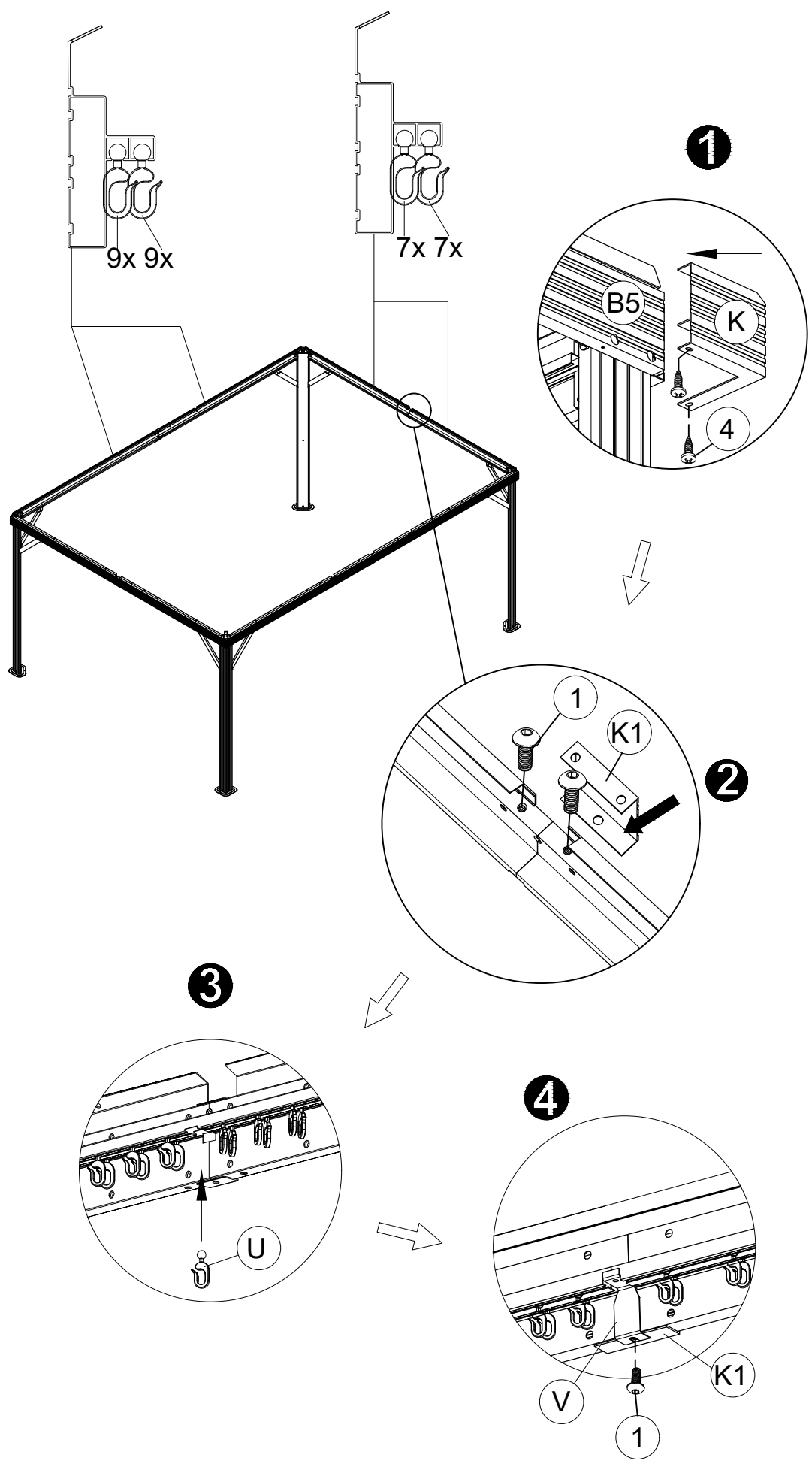
i d1=d2

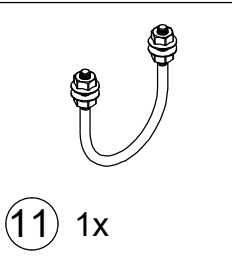
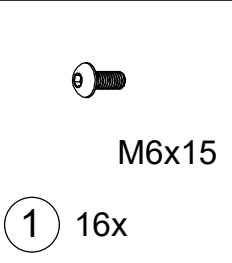
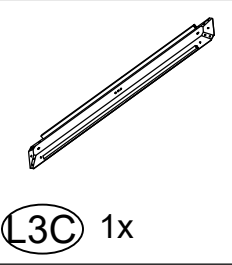
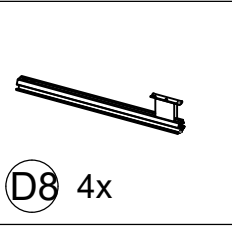
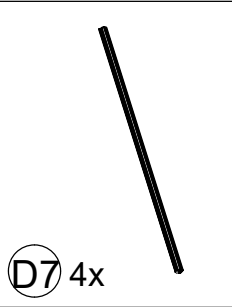


Tips: Please measure to make sure the length of d1 is equal to d2 before moving to next step to ensure a square frame and best results. Keep the beam at right angles to the post, the post at right angles to the ground, and keep the beam horizontal.

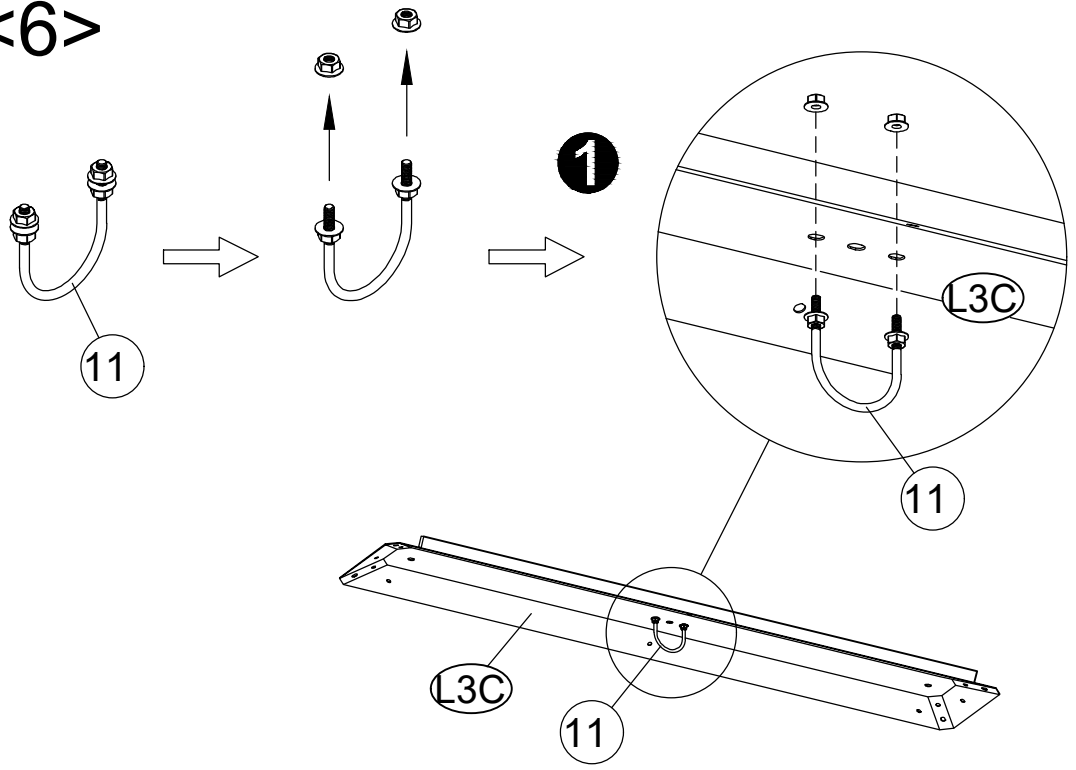
-  **K** 4x
-  **K1** 4x
-  **U** 128x
-  **V** 4x
-  **1** 12x
M6x15
-  **4** 8x
ST4.8x12
- 9**

<5>

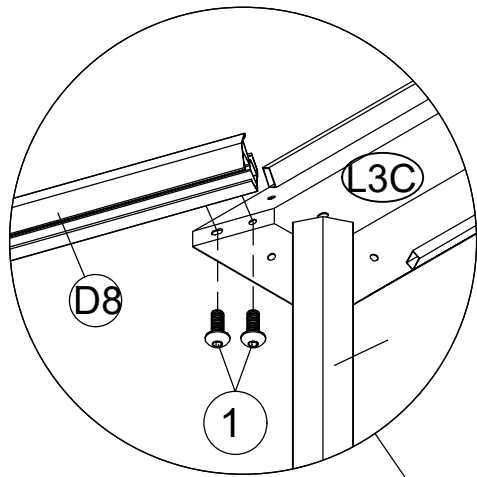




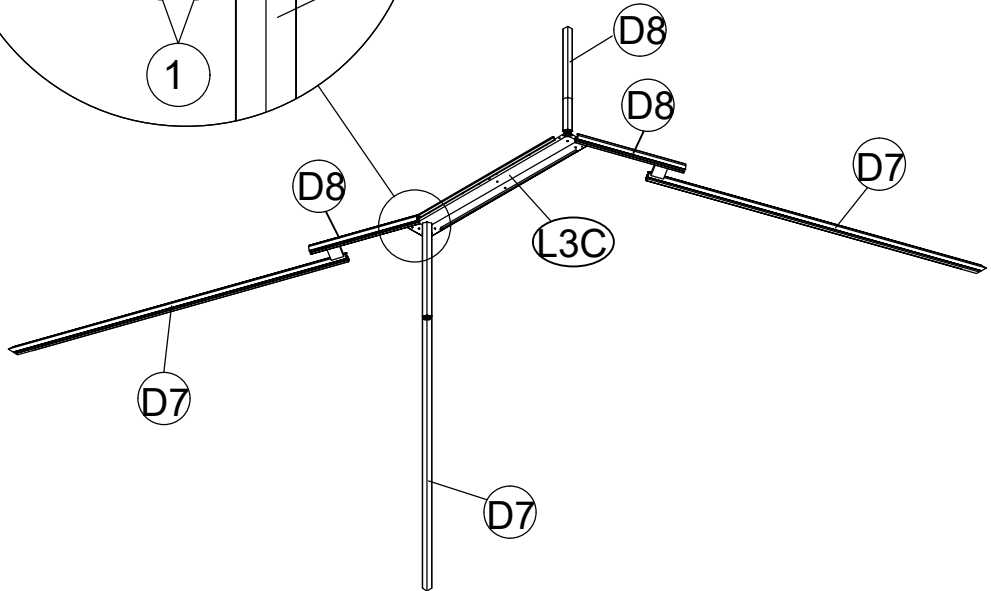
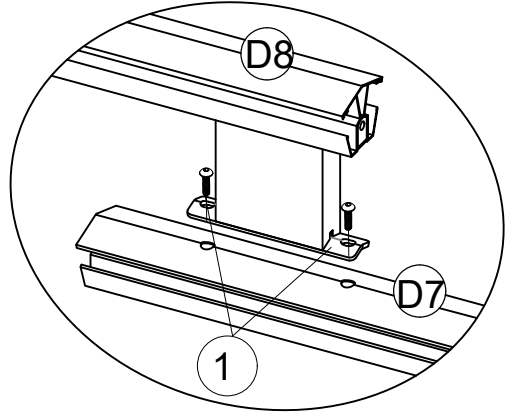
<6>



3



2



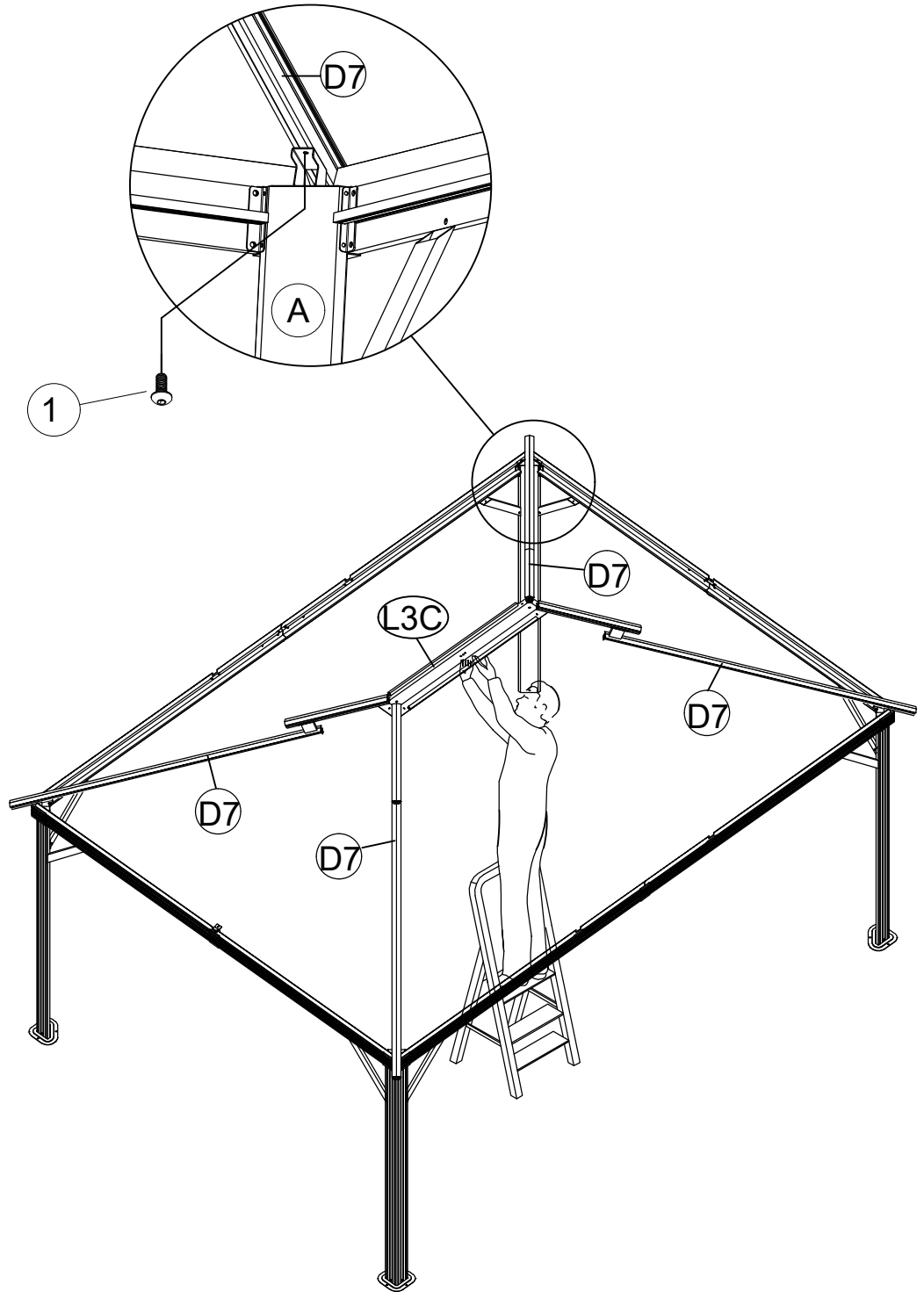
10



<7>

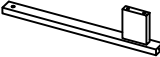
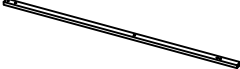
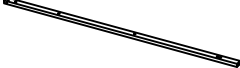

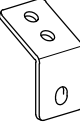

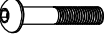
1

M6x15
4x

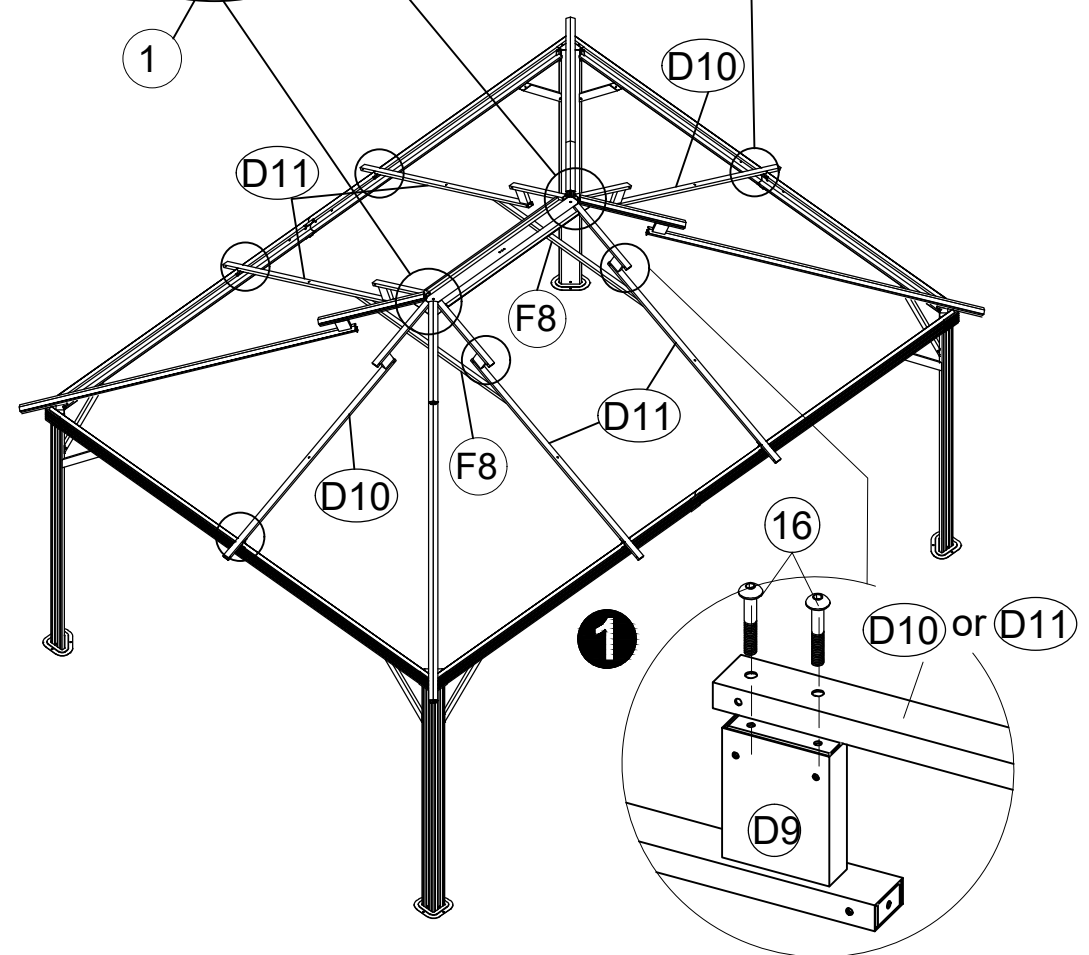
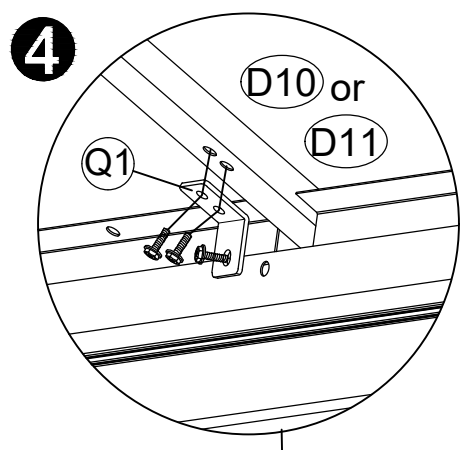
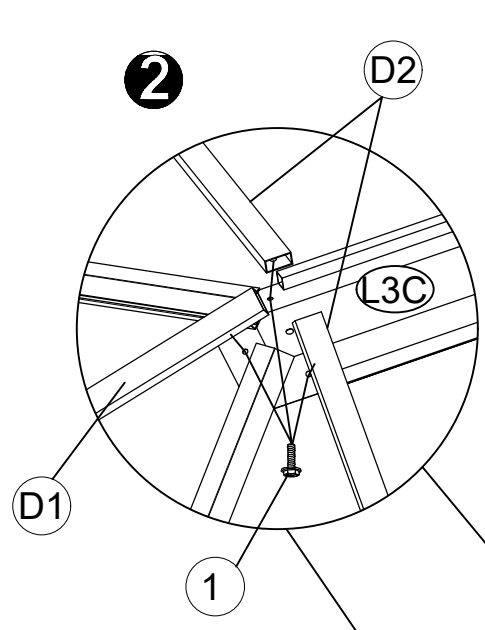
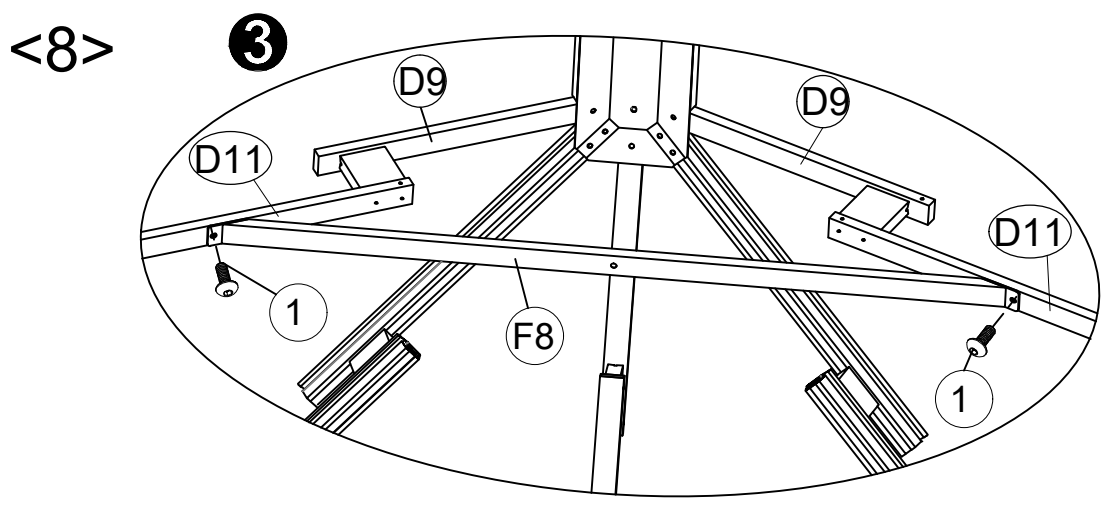


Note:

1. Let one person stand on the ladder to lift "L3C" and hold and let others fasten the screws connecting both ends of "D7".
2. Please do not let go of holding "L3C" until all the "D7" screws are installed.

-  **D9** 6x
-  **D10** 2x
-  **D11** 4x
-  **F8** 2x
-  **Q1** 6x
-  **M6x15**
1 28x
-  **M6x35**
16 12x
- 12**

<8>



<9>

G1 2x

C4 2x

C5 2x

C6 2x

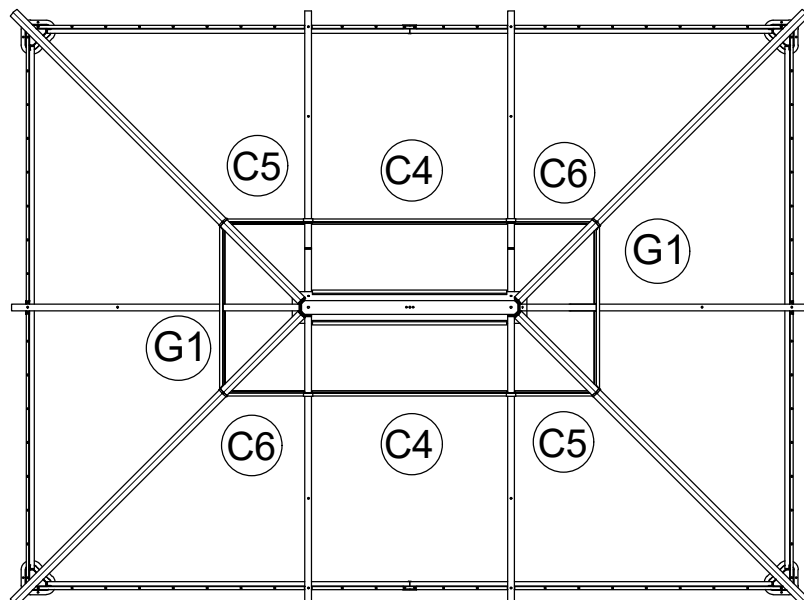
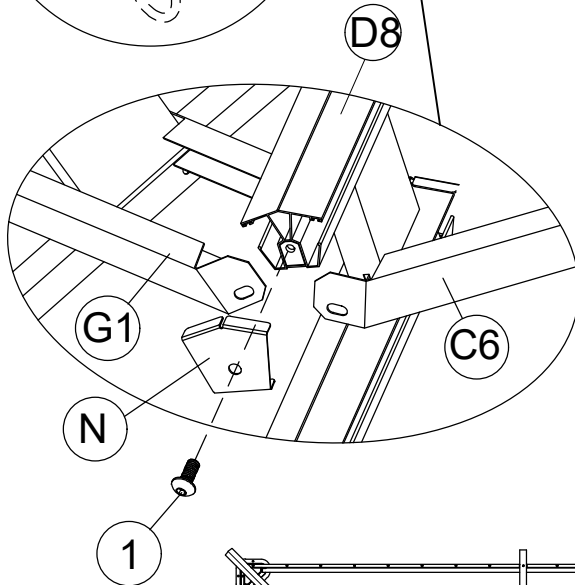
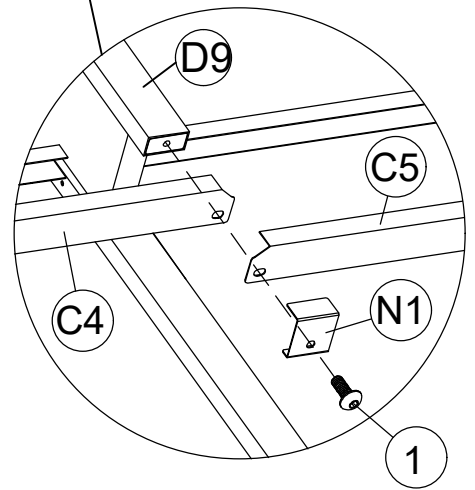
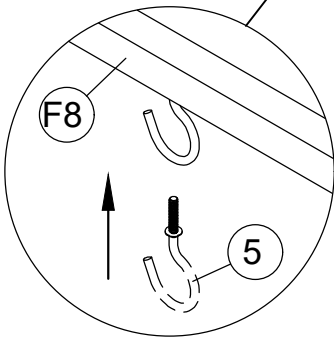
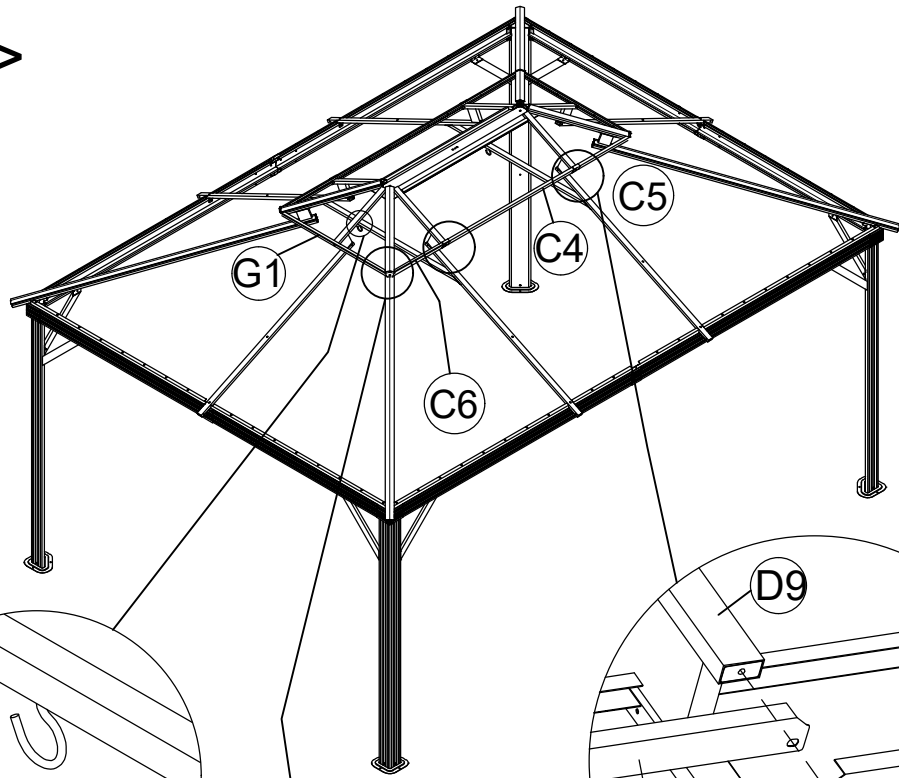
N 4x

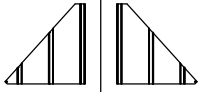
N1 4x

1 10x

5 2x

13

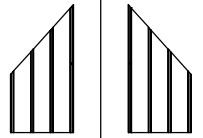




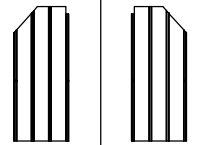
(S1) 2x (S2) 2x



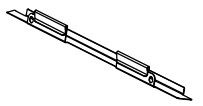
(X1) 2x (X2) 2x



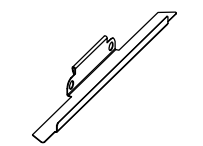
(X3) 2x (X4) 2x



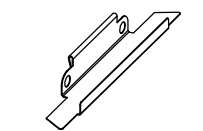
(X5) 2x (X6) 2x



(Z) 32x

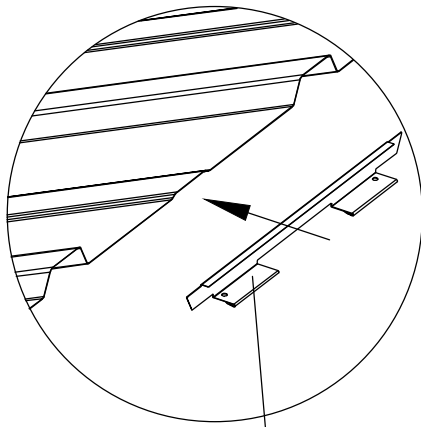


(Z1) 4x

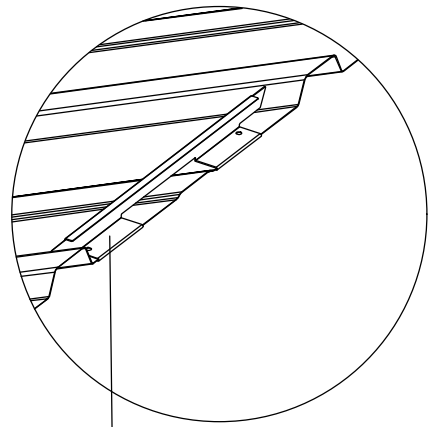
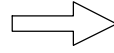


(Z2) 4x

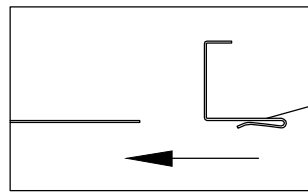
<10>



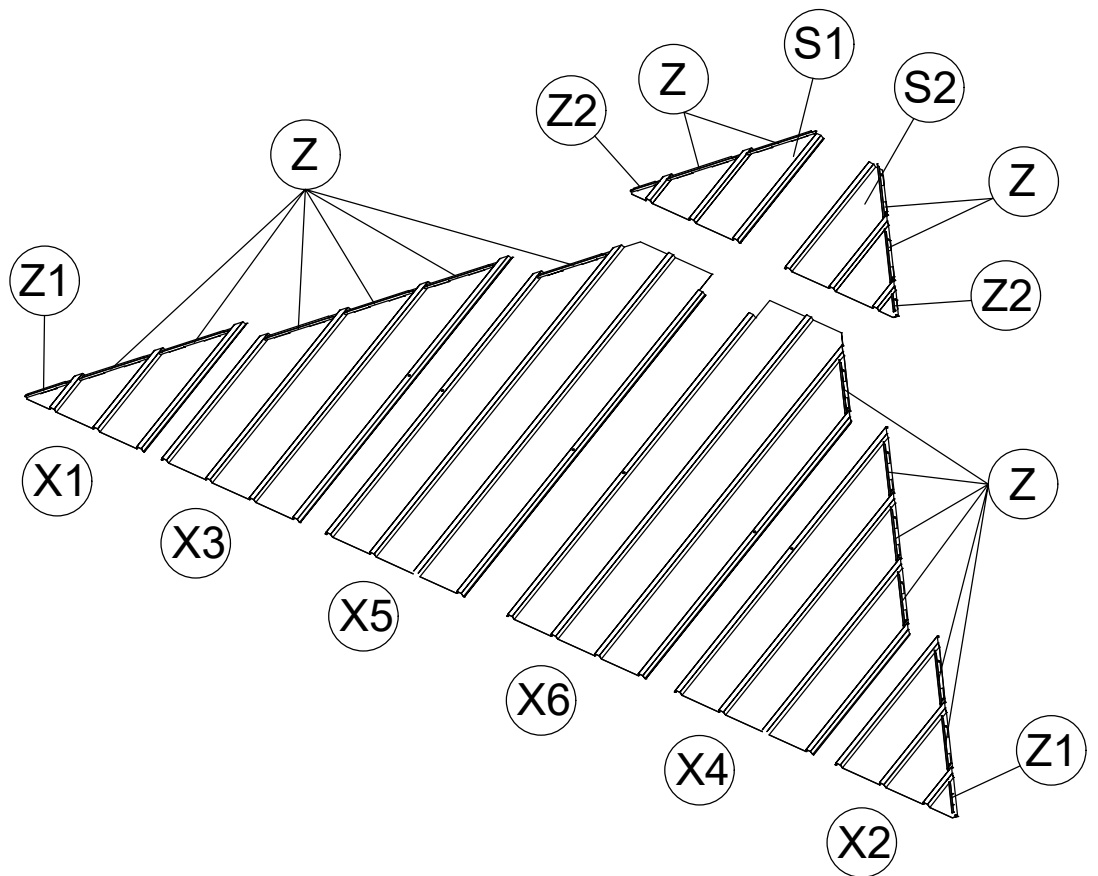
(Z) or (Z1) or (Z2)

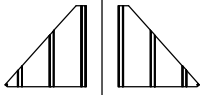


(Z) or (Z1) or (Z2)

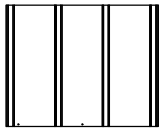


(Z) or (Z1) or (Z2)

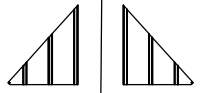




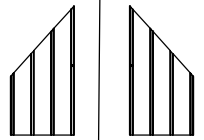
S1 2x S2 2x



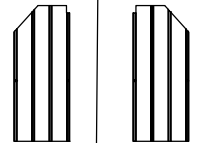
S3 4x



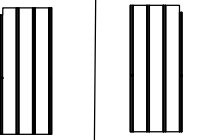
X1 2x X2 2x



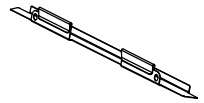
X3 2x X4 2x



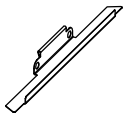
X5 2x X6 2x



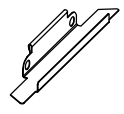
X7 2x X8 2x



Z 32x



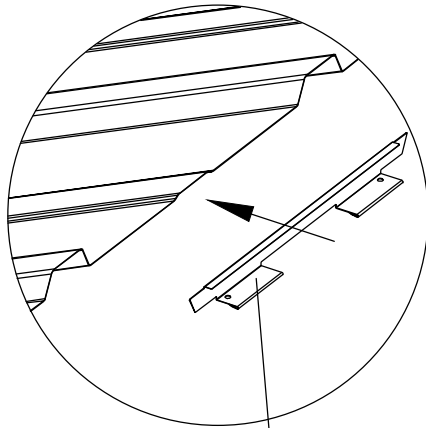
Z1 4x



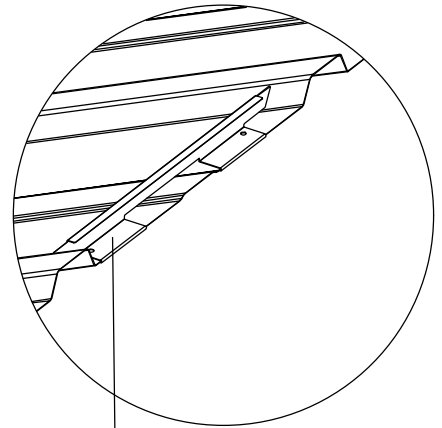
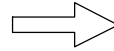
Z2 4x

15

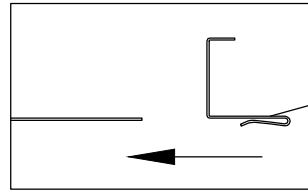
<11>



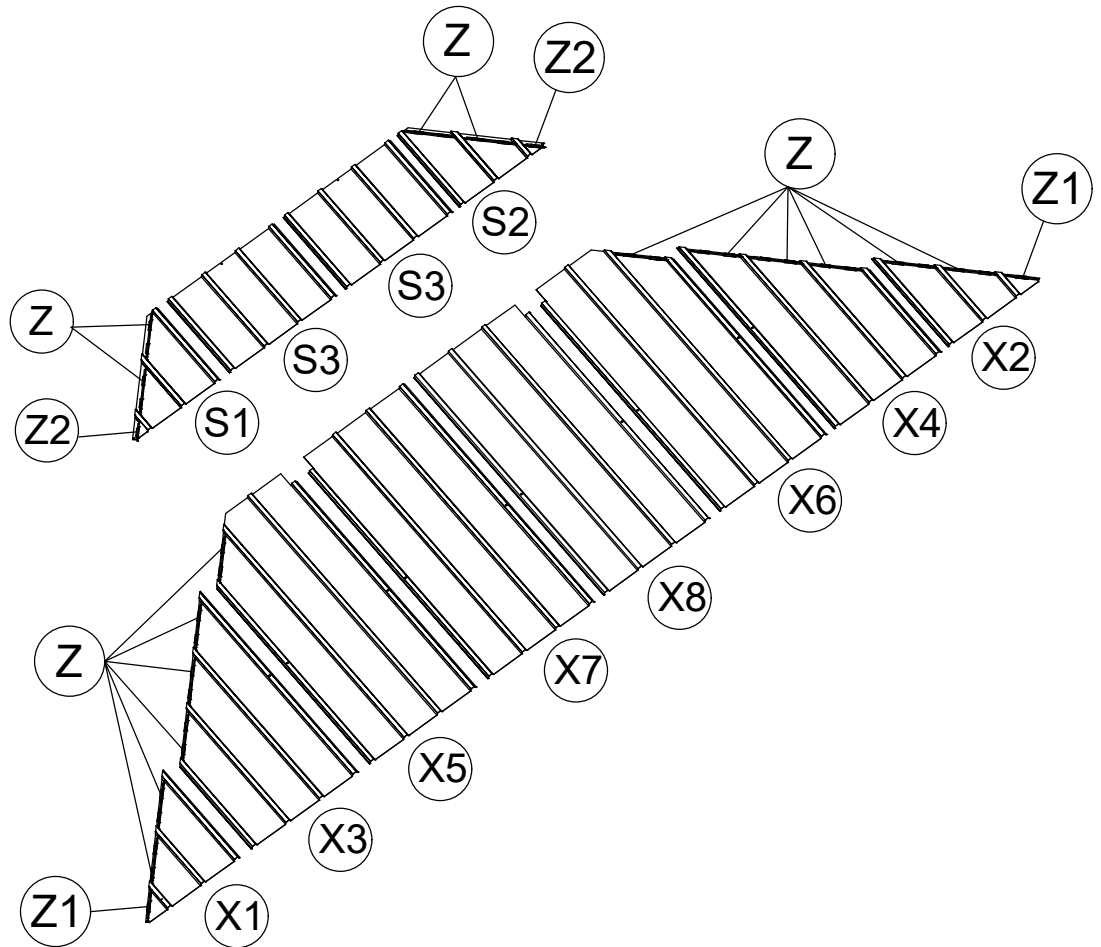
Z or Z1 or Z2



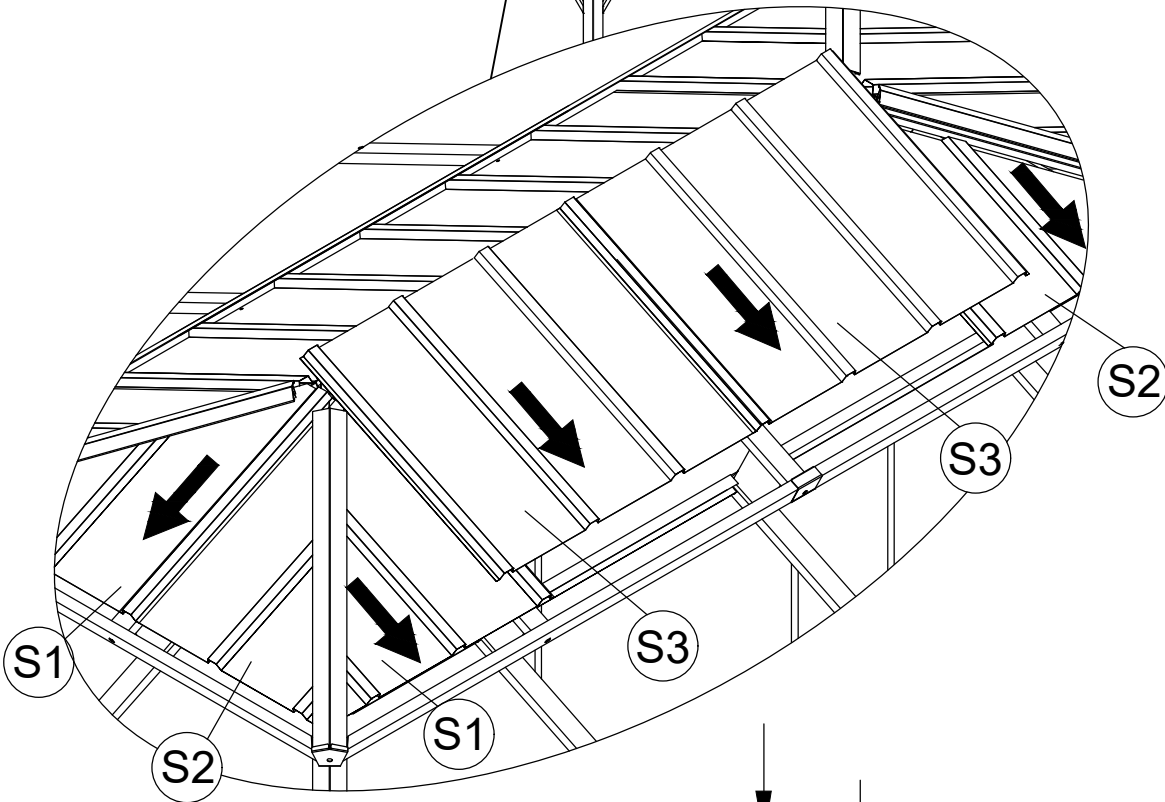
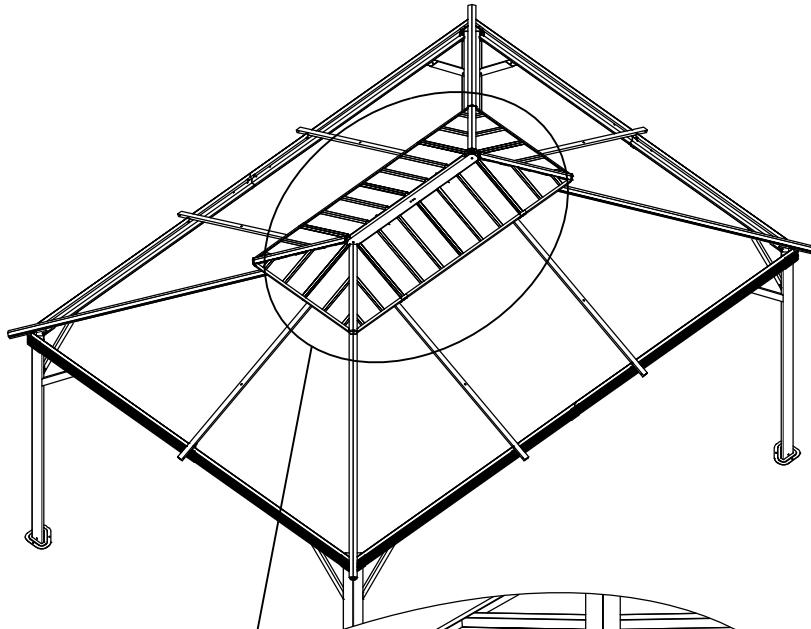
Z or Z1 or Z2



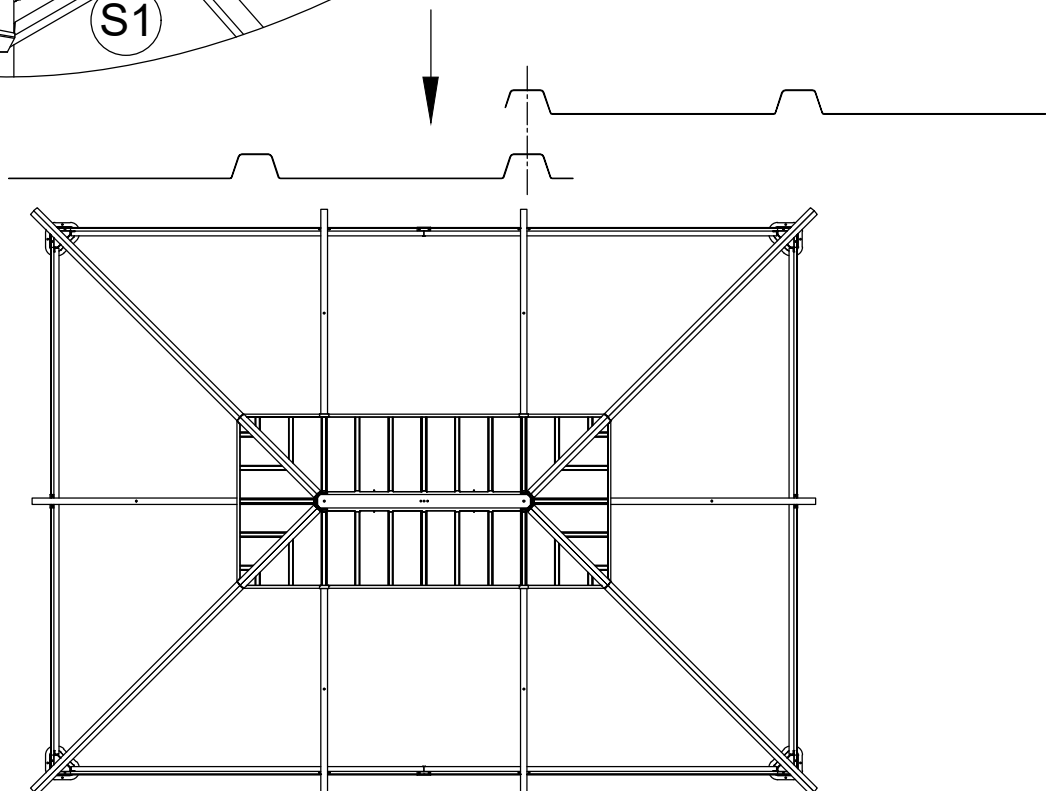
Z or Z1 or Z2

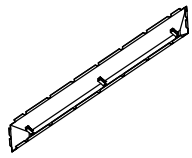


<12>



When installing the Roof plates (S2) onto short side, pls detach the right end of Roof Rib(G1) first. And then install the right end of Roof Rib (G1) again after S2 is installed.





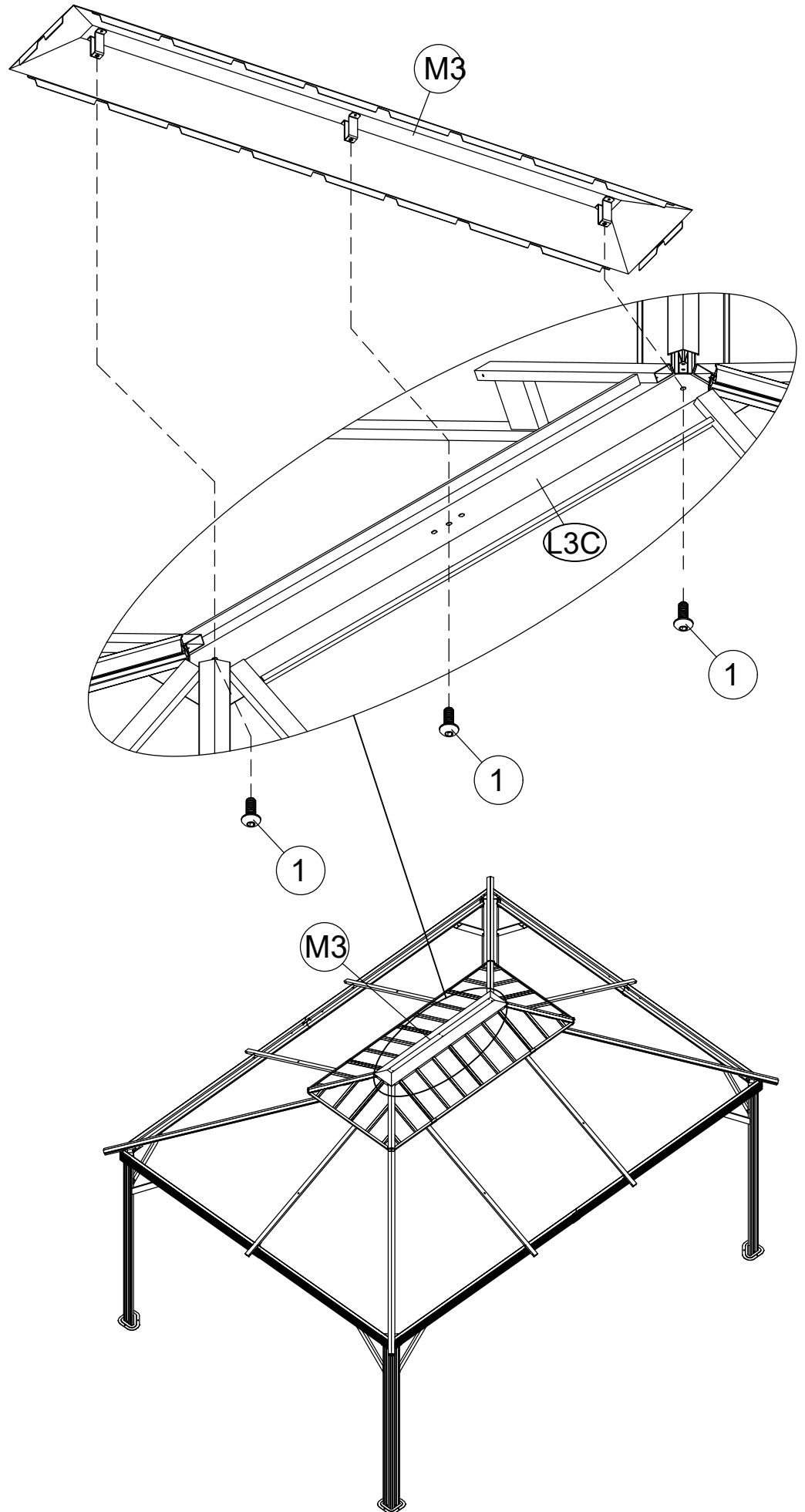
M3 1x



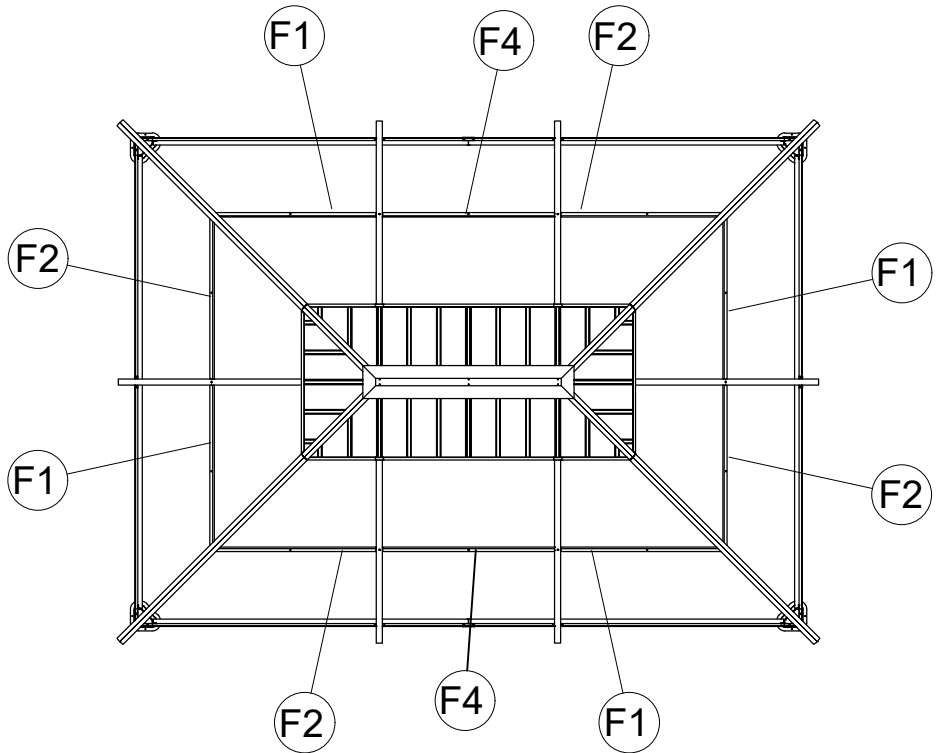
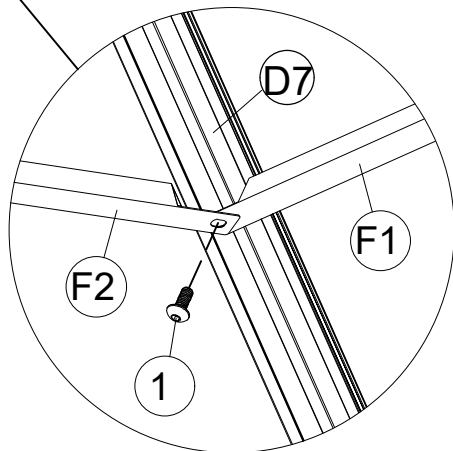
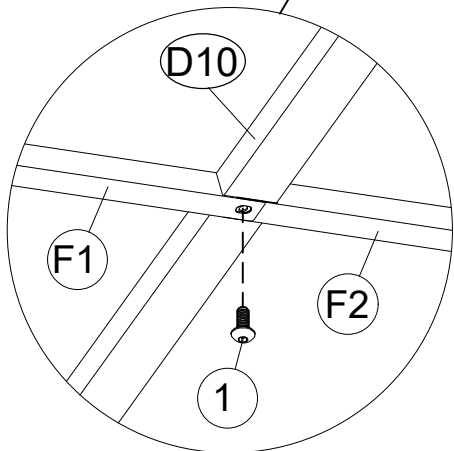
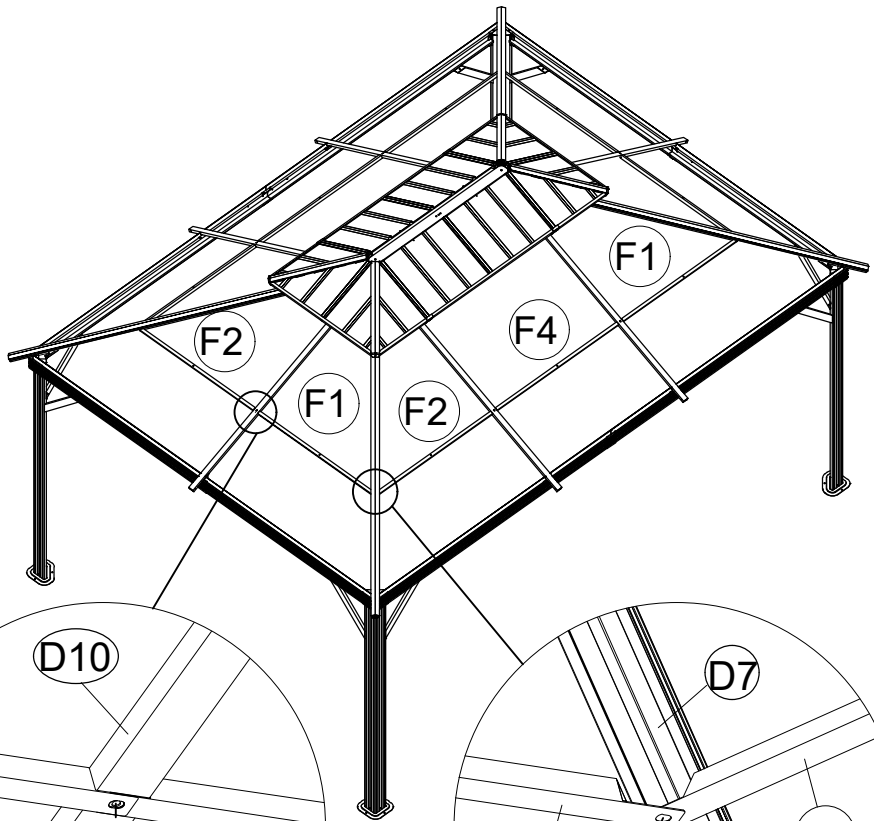
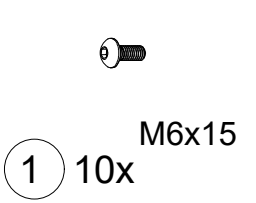
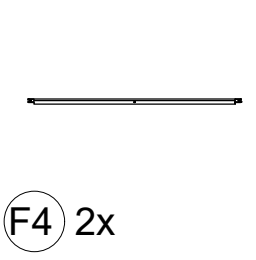
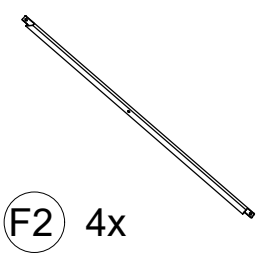
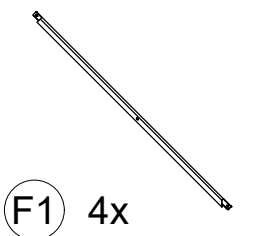
M6x15

1 3x

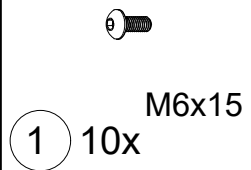
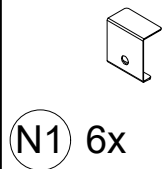
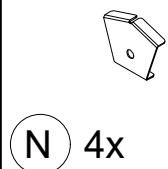
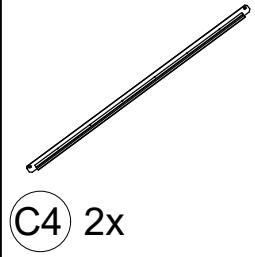
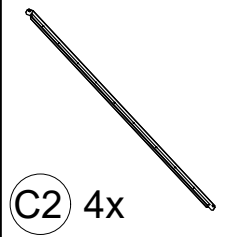
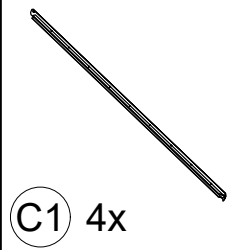
<13>



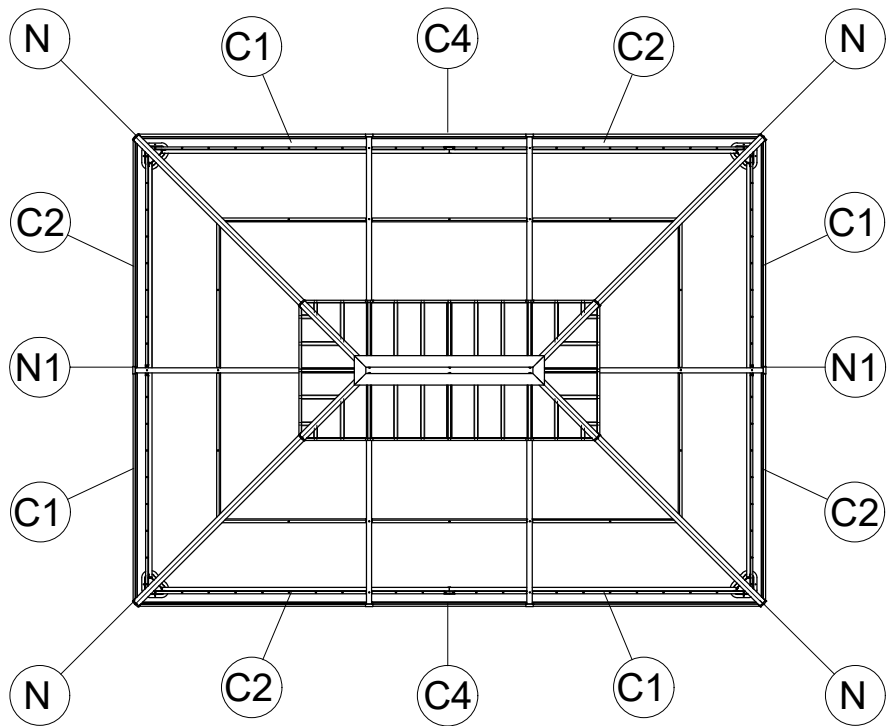
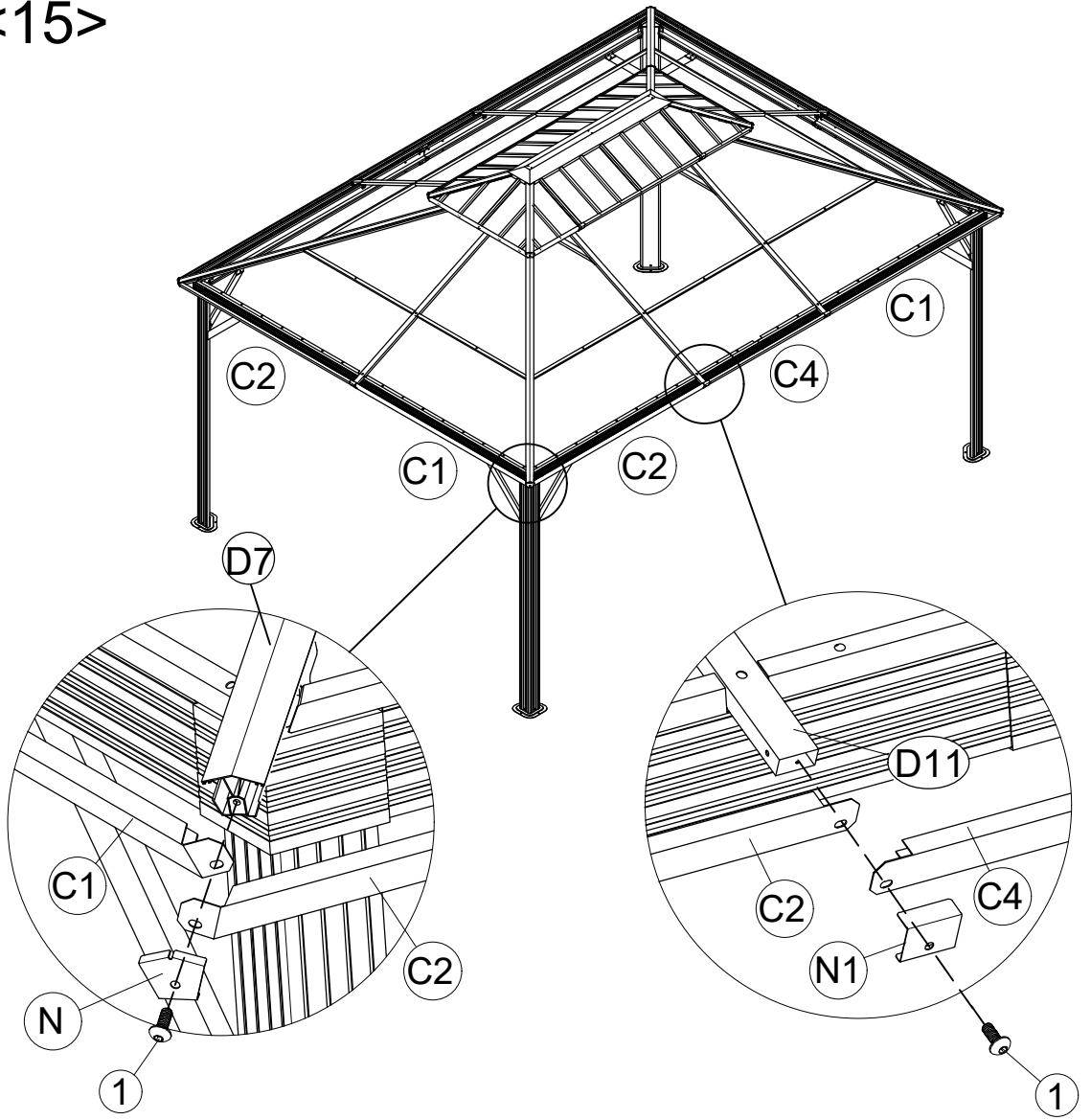
<14>



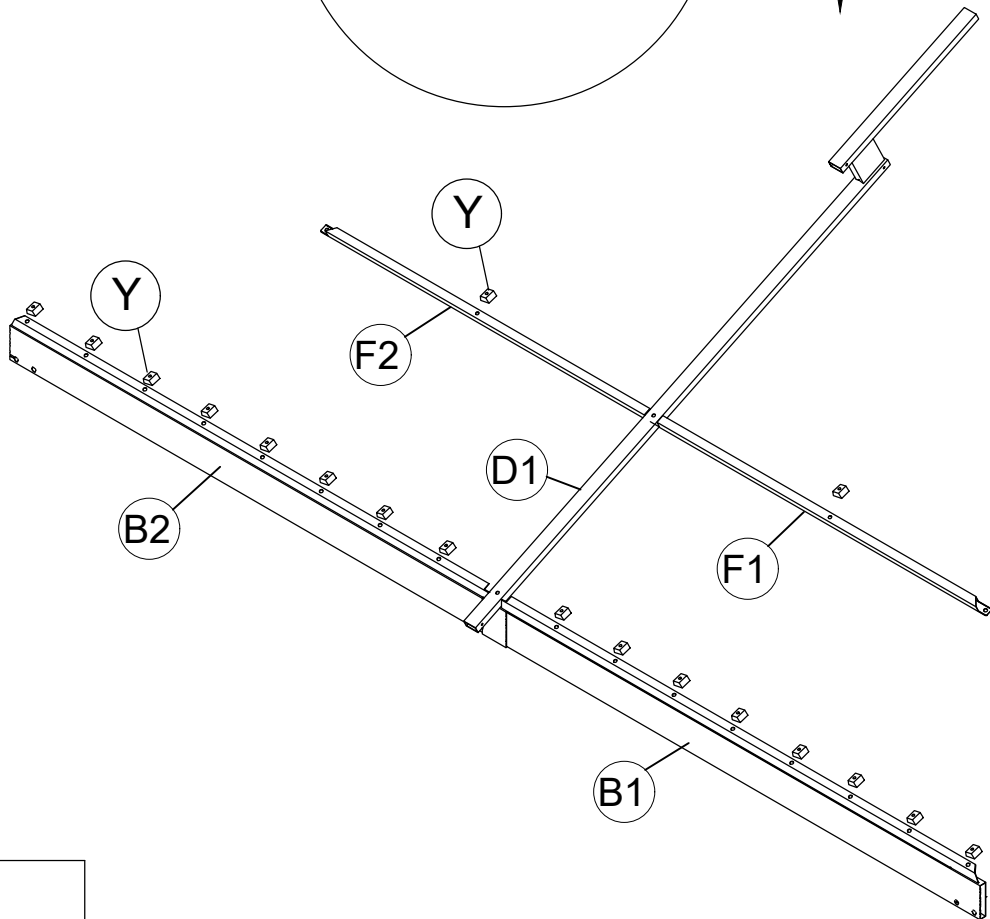
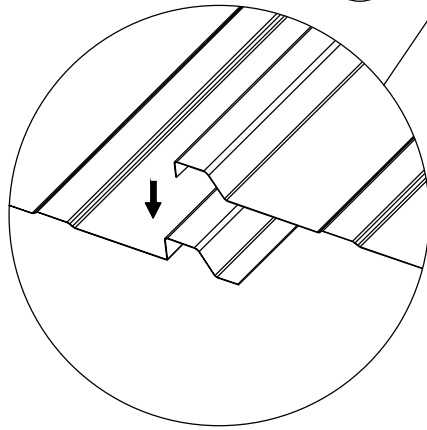
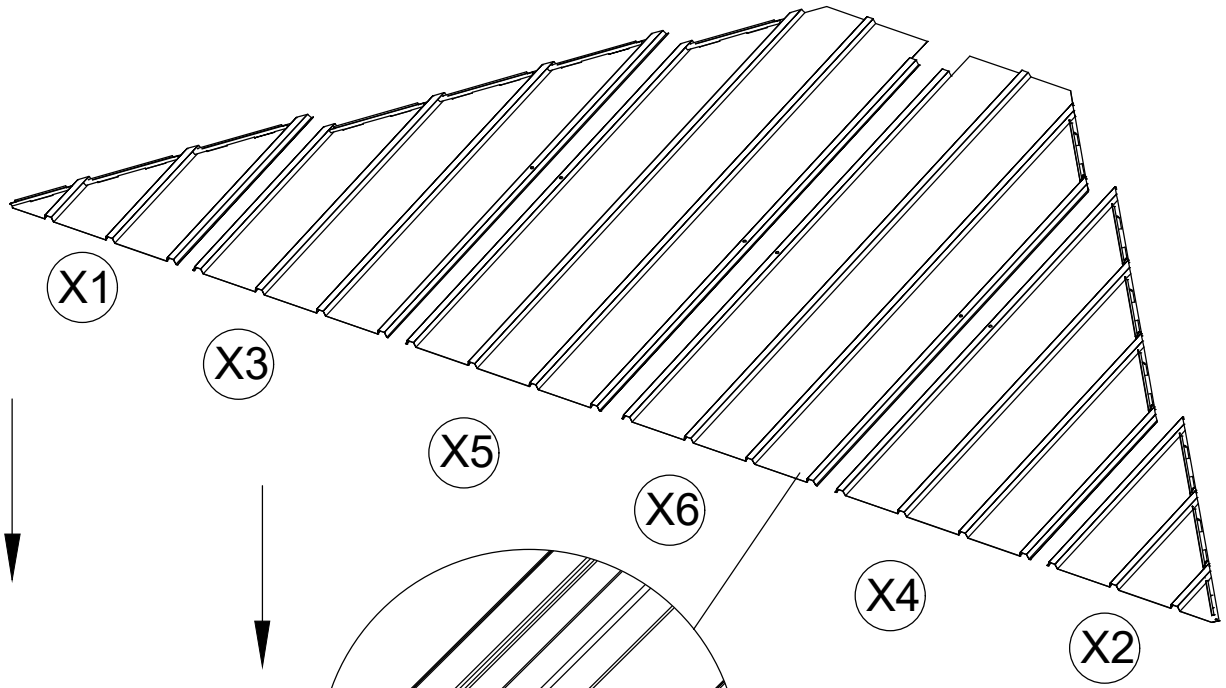
<15>



19

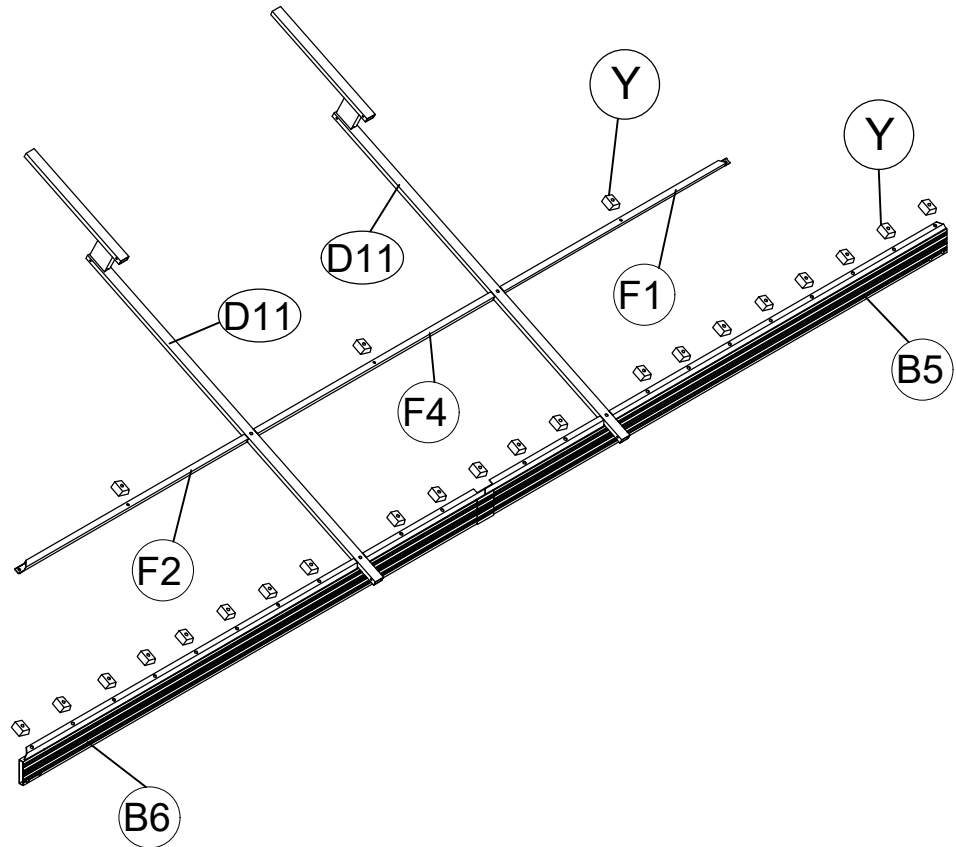
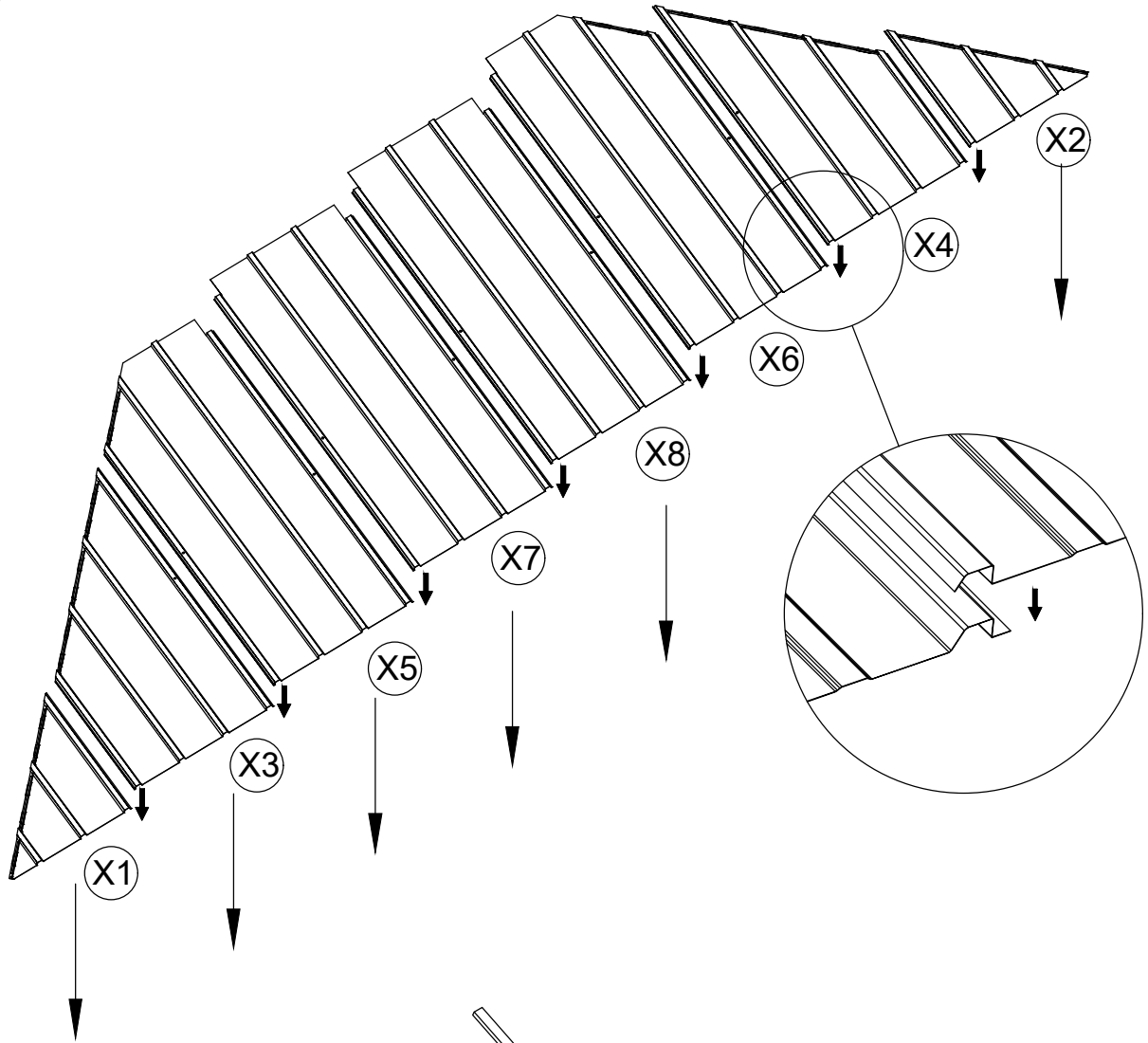


<16>

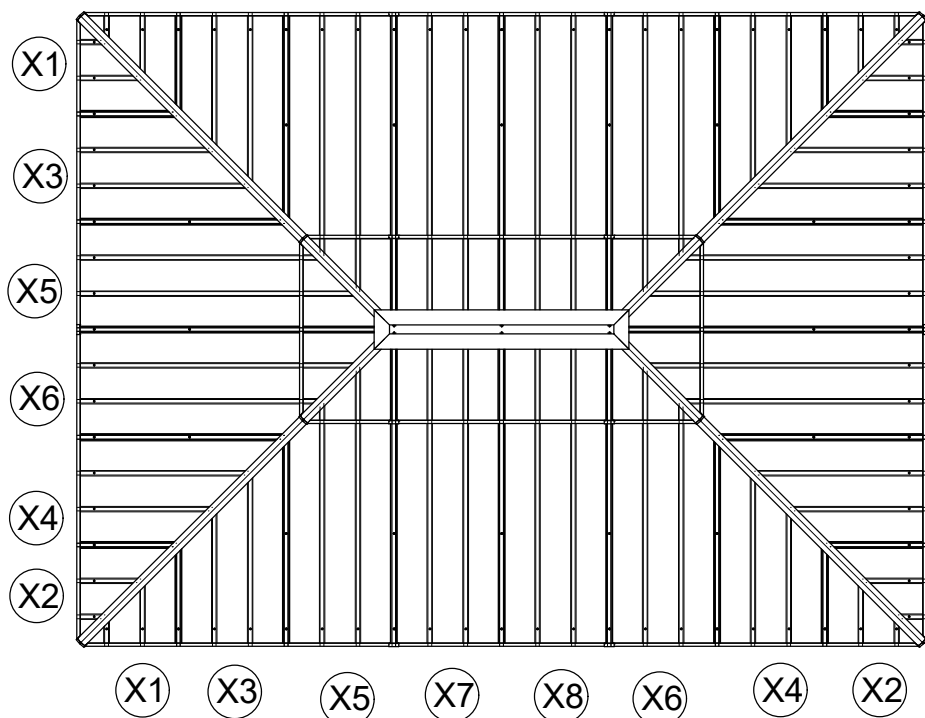
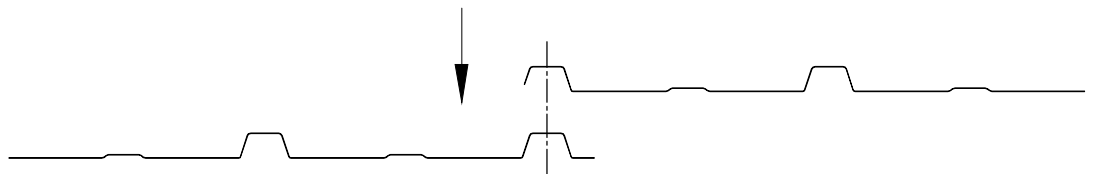
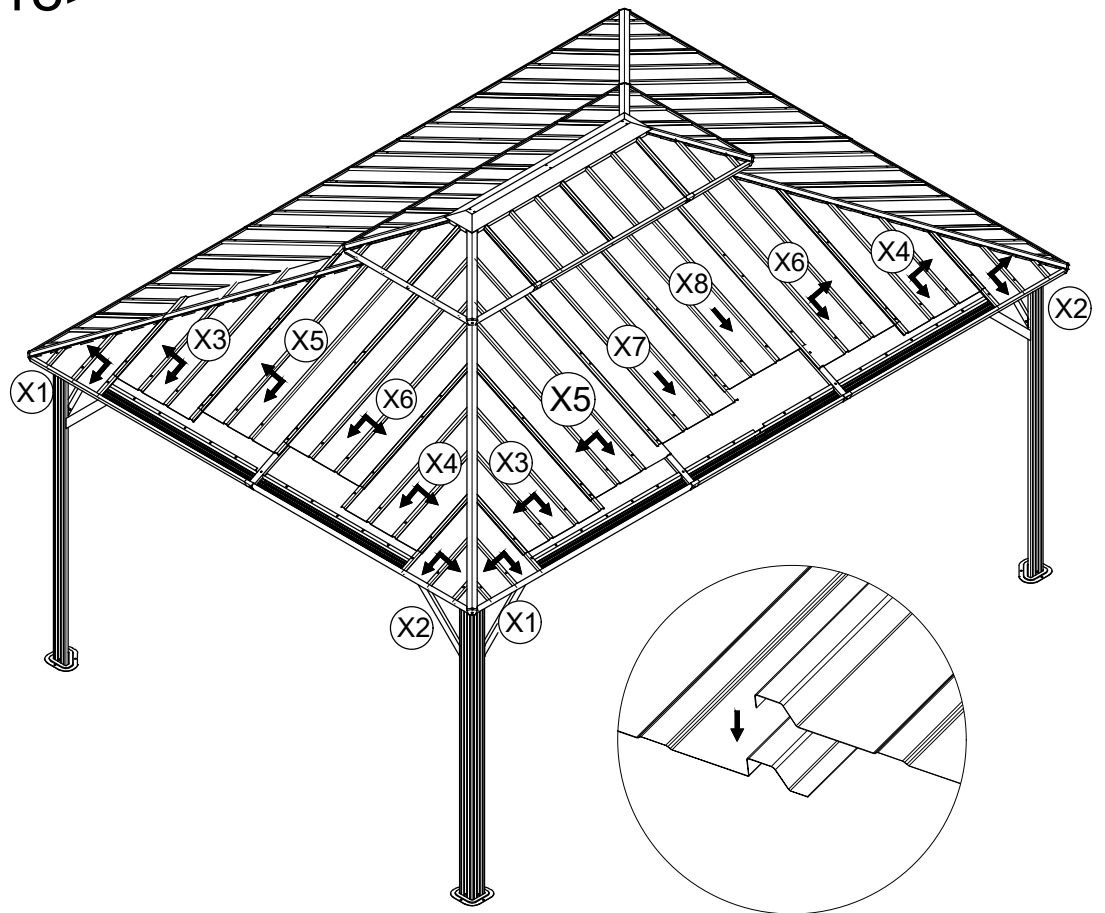


20

<17>



<18>





<19>

Y 84x



M6x25

3 12x



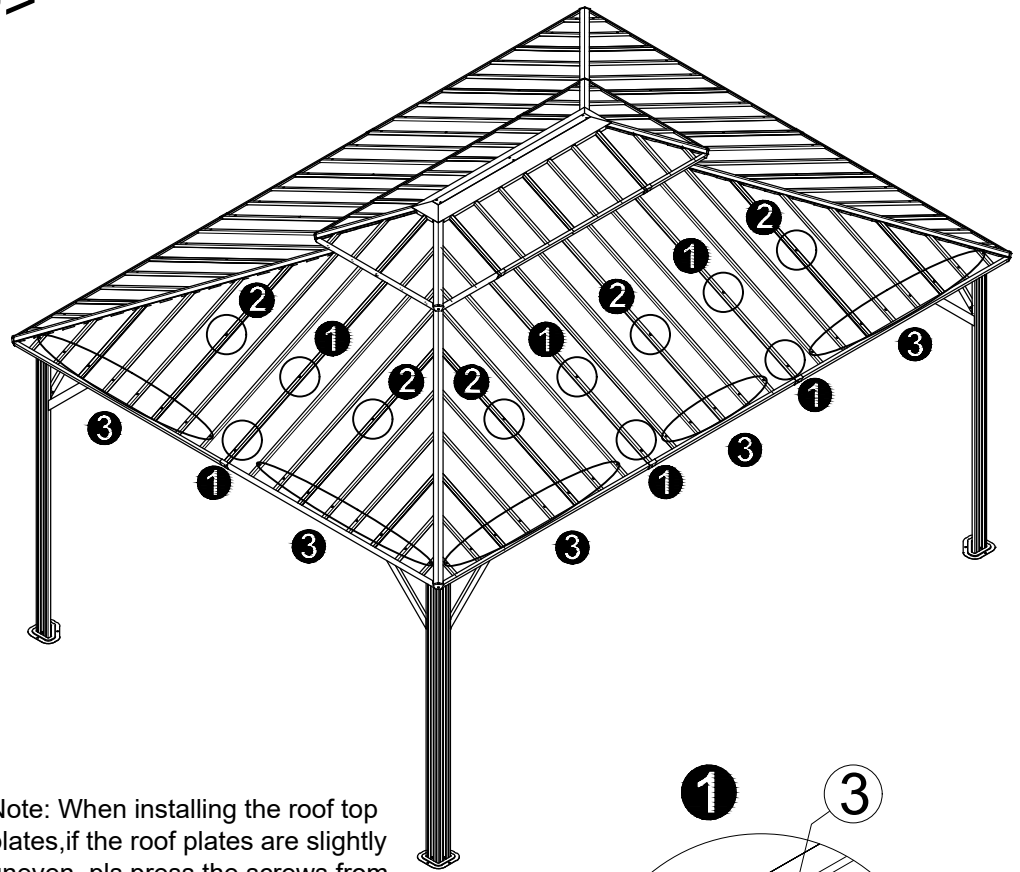
M6x23

2 74x

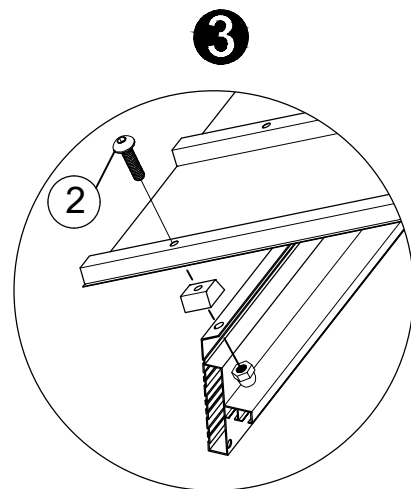
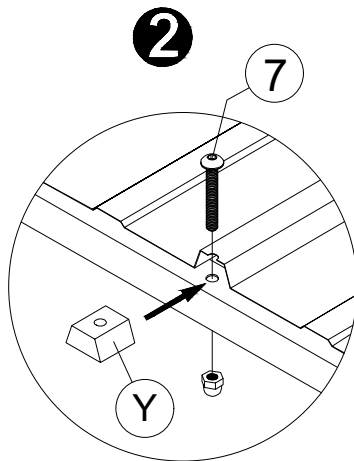
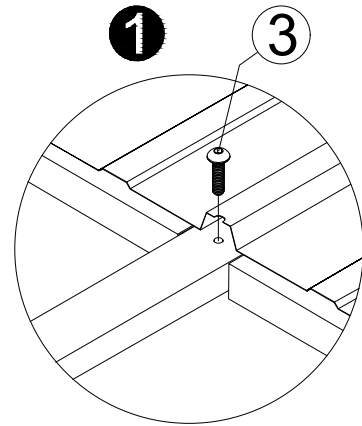


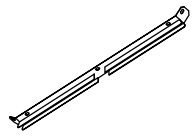
M6x45

7 10x



Note: When installing the roof top plates, if the roof plates are slightly uneven, pls press the screws from the top of the plates until the bottom screw thread is exposed by 3 to 4mm, and then screw on the nut.

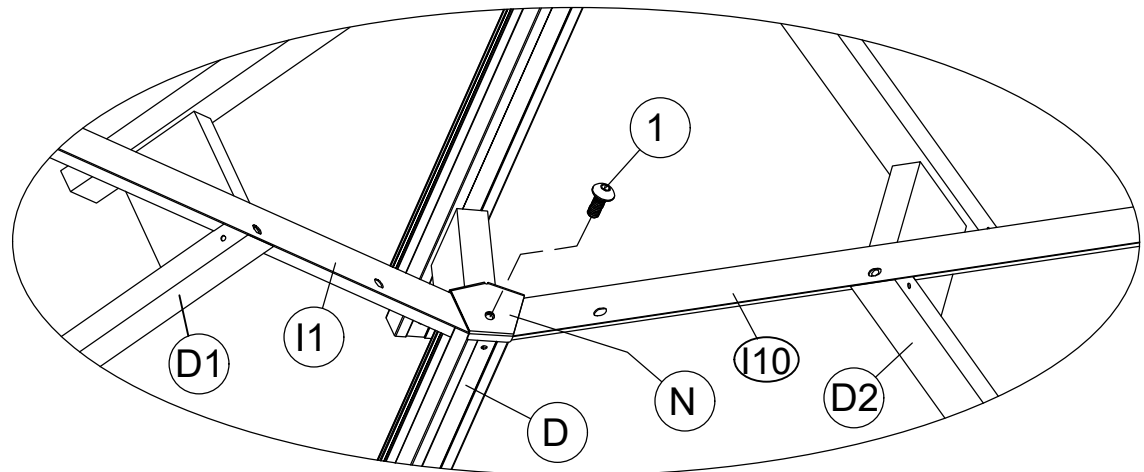




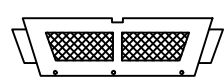
<20>

1

I1 2x

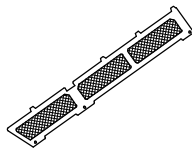


I10 2x

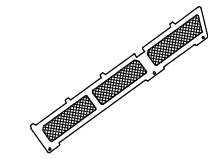
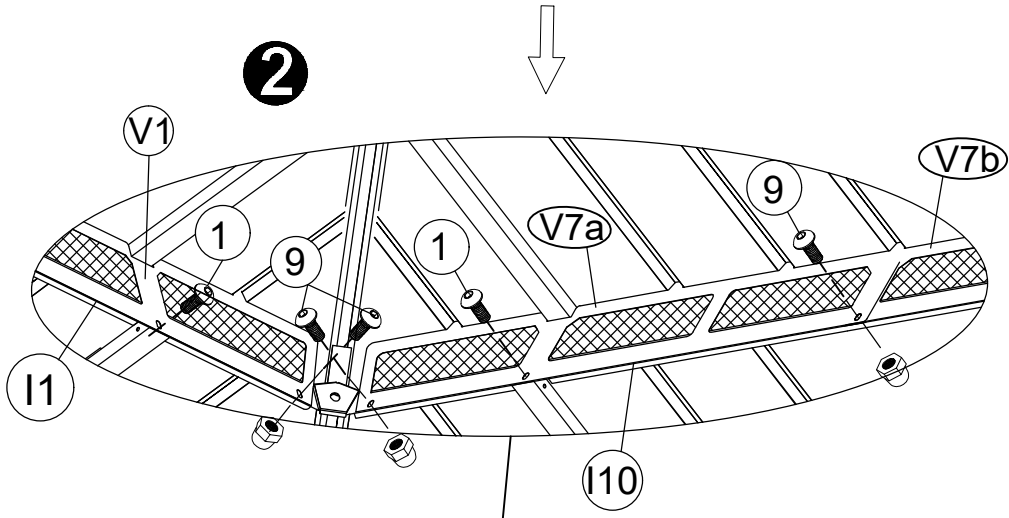


V1 2x

2



V7a 2x



V7b 2x



N 4x



M6x15

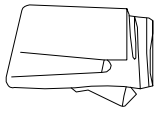
1 10x



M6x10

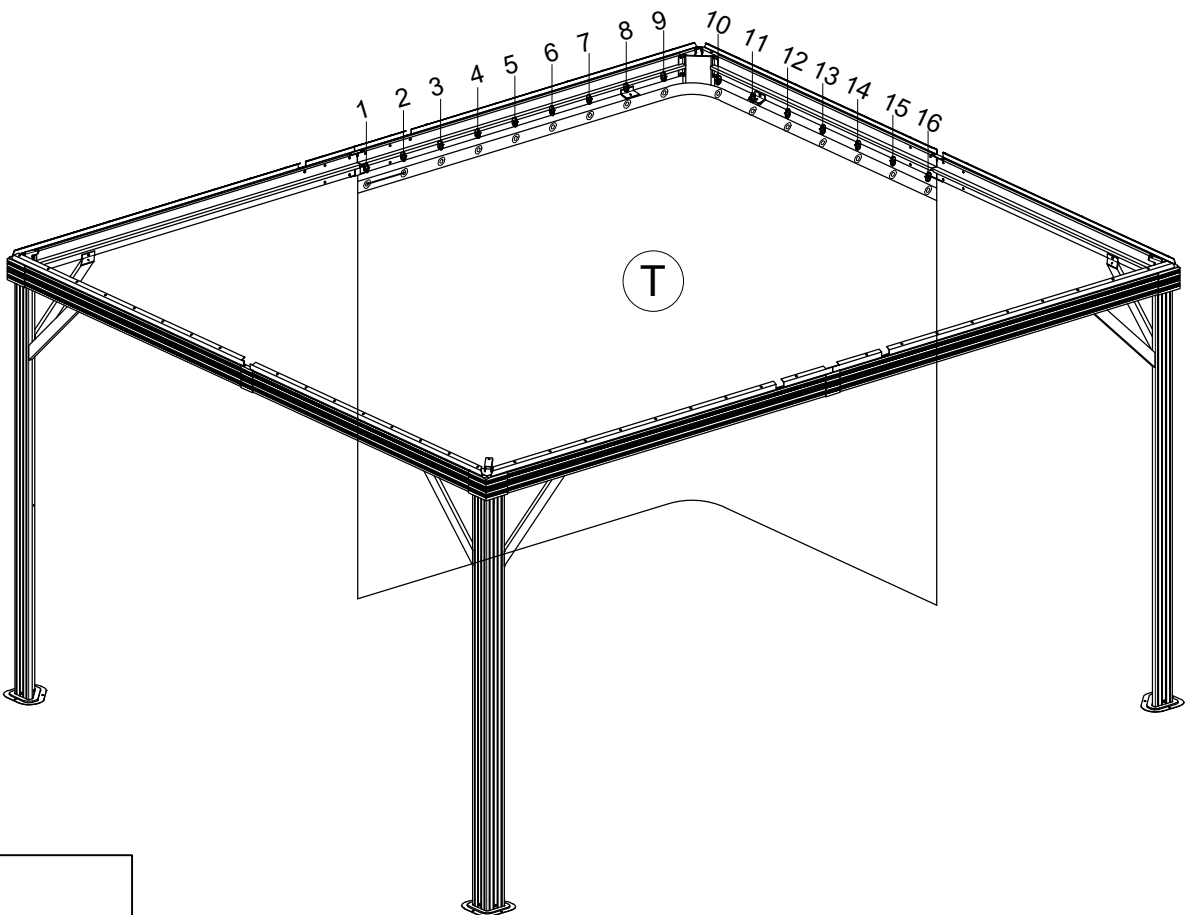
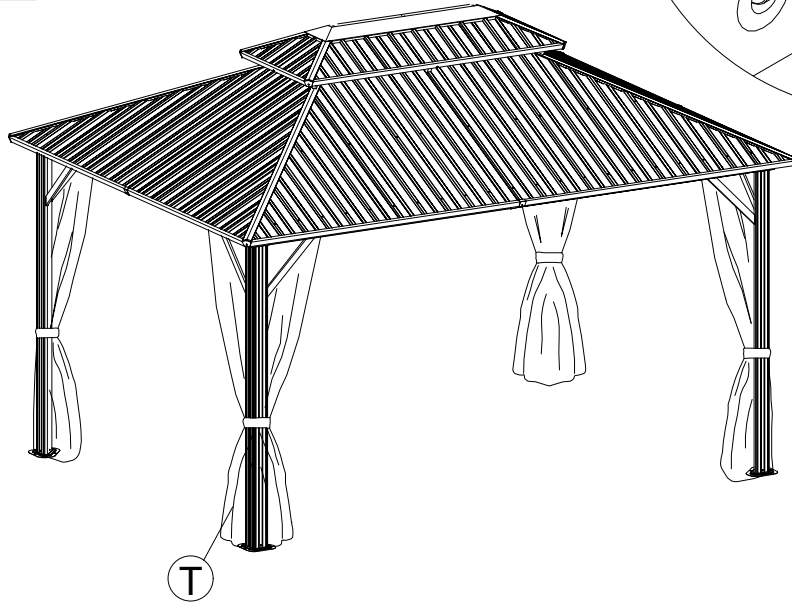
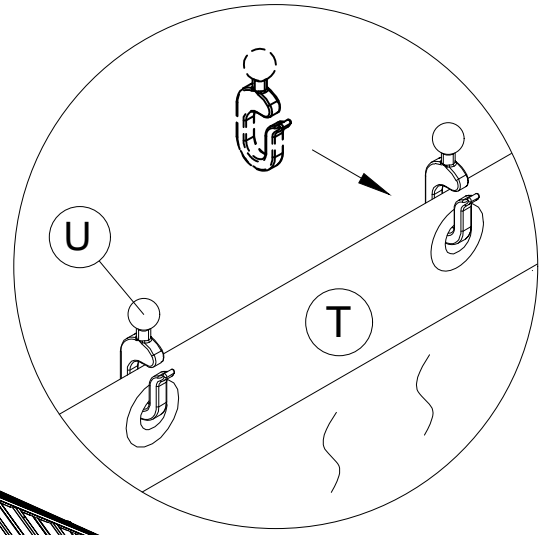
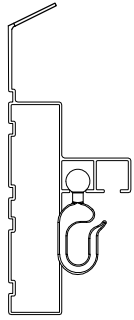
9 10x

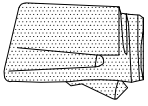




<21>

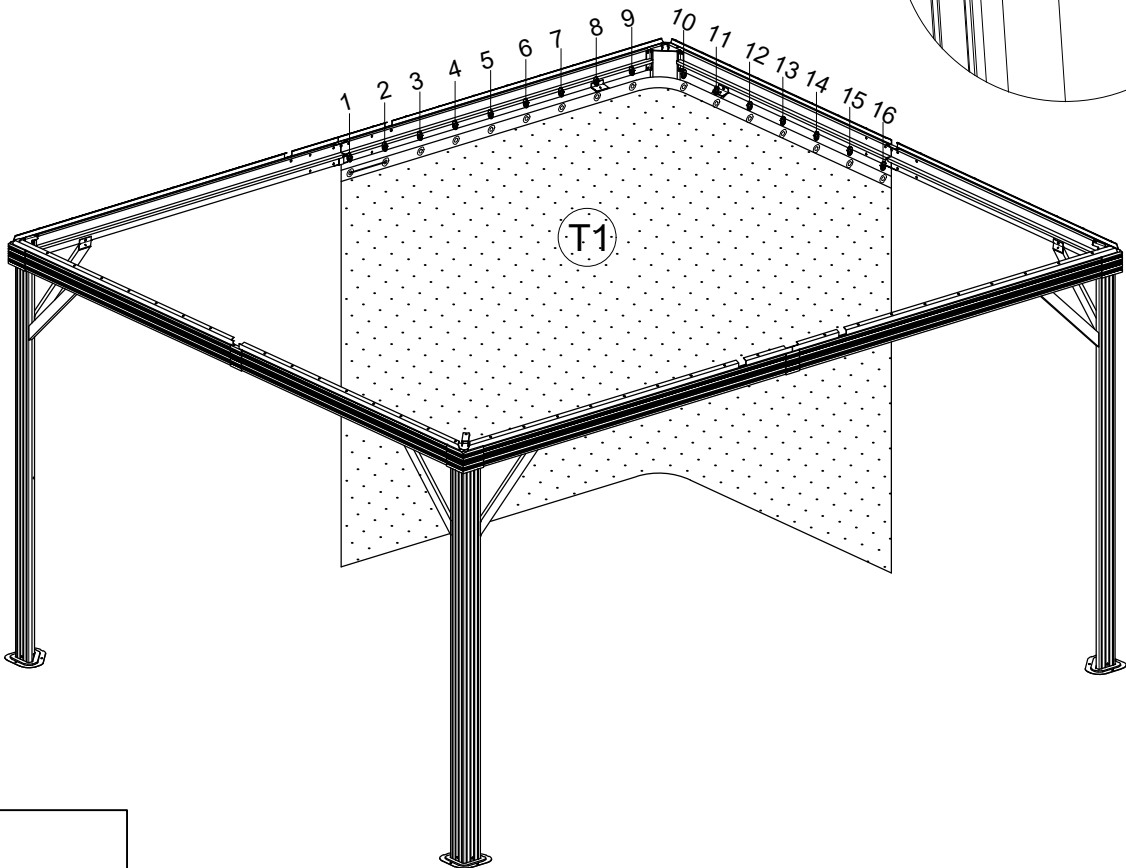
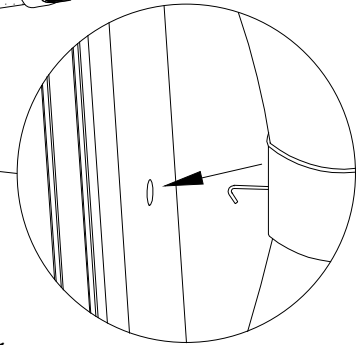
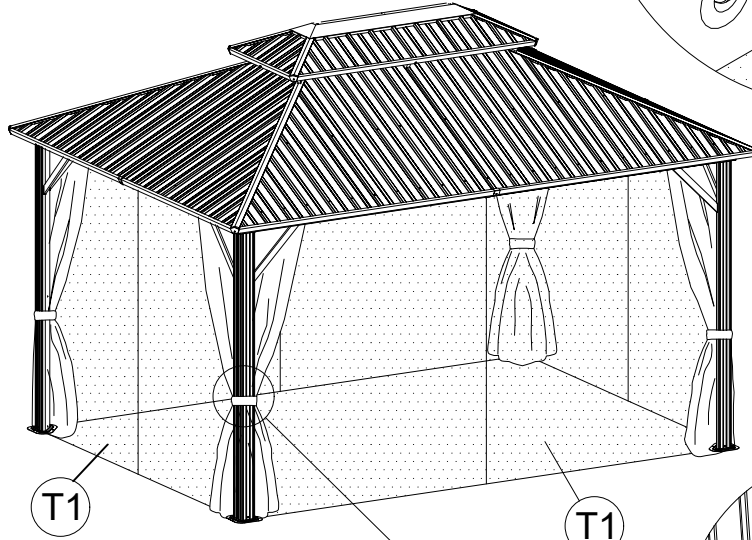
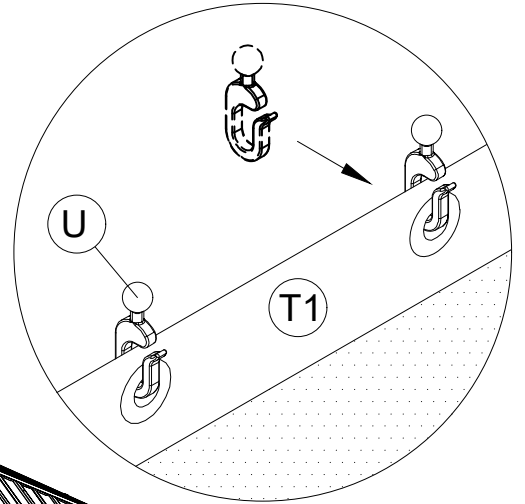
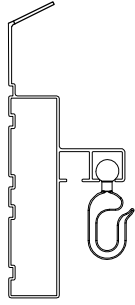
T 4x





<22>

T1 4x



Carton-1/4		Carton-2/4		Carton-3/4	
Part	Qty	Part	Qty	Part	Qty
A	4	B5	2	X3	4
D7	4	B6	2	X4	4
D11	4	B1	2	X5	4
C1	4	B2	2	X6	4
C2	4	D10	2	X7	2
M3	1	F4	2	X8	2
L3C	1	K	4	X1	4
F8	2	K1	4	X2	4
C4	4	Q1	6		
I10	2	V	4		
D9	4	Q4	8	Carton-4/4	
J	4	Q3	8	Part	Qty
P	4	N	12	S1	4
		N1	10	S2	4
		Z	64	S3	4
		Z1	8	F1	4
		Z2	8	F2	4
		V1	2	C5	2
		V7a	2	C6	2
		V7b	2	G1	2
		Y	84	I1	2
		U	128	H	4
				H1	4
				D9	2
				D8	4
				T	4
				T1	4
				1.2.3.4.5.7.8.9.10. 11.12.14.15.16	1