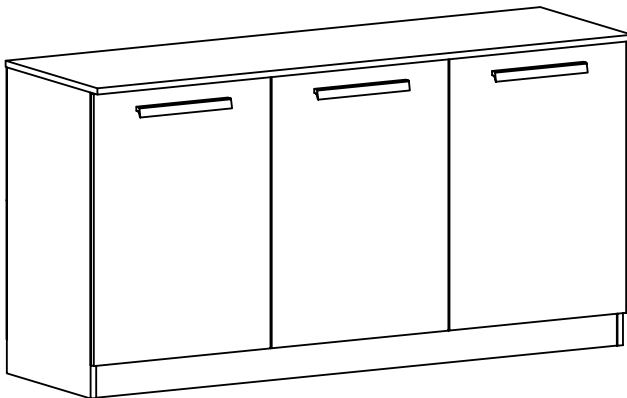


ASSEMBLY INSTRUCTIONS

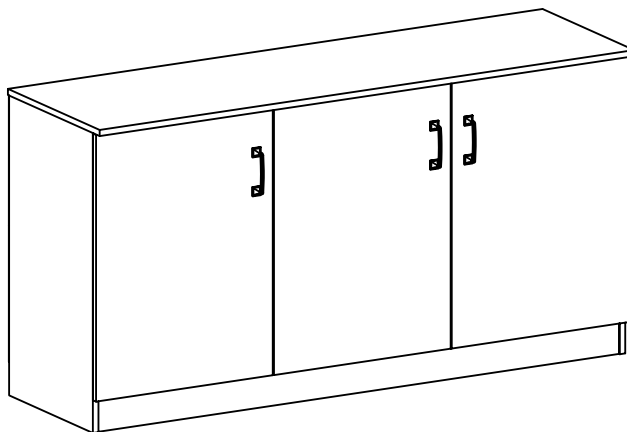
ITEM#: AK4100/AK4101/AK4125

Important Safety Instructions:

- Please read all instructions before beginning assembly
- Please make sure receive all the parcels to start the assembly
- For your safety and convenience, assembly by two people is recommended
- Use the parts and hardware lists to identify and separate each of the components included
- Save all packing materials until assembly is completed to avoid the accidental discarding of smaller parts or hardware



AK4100



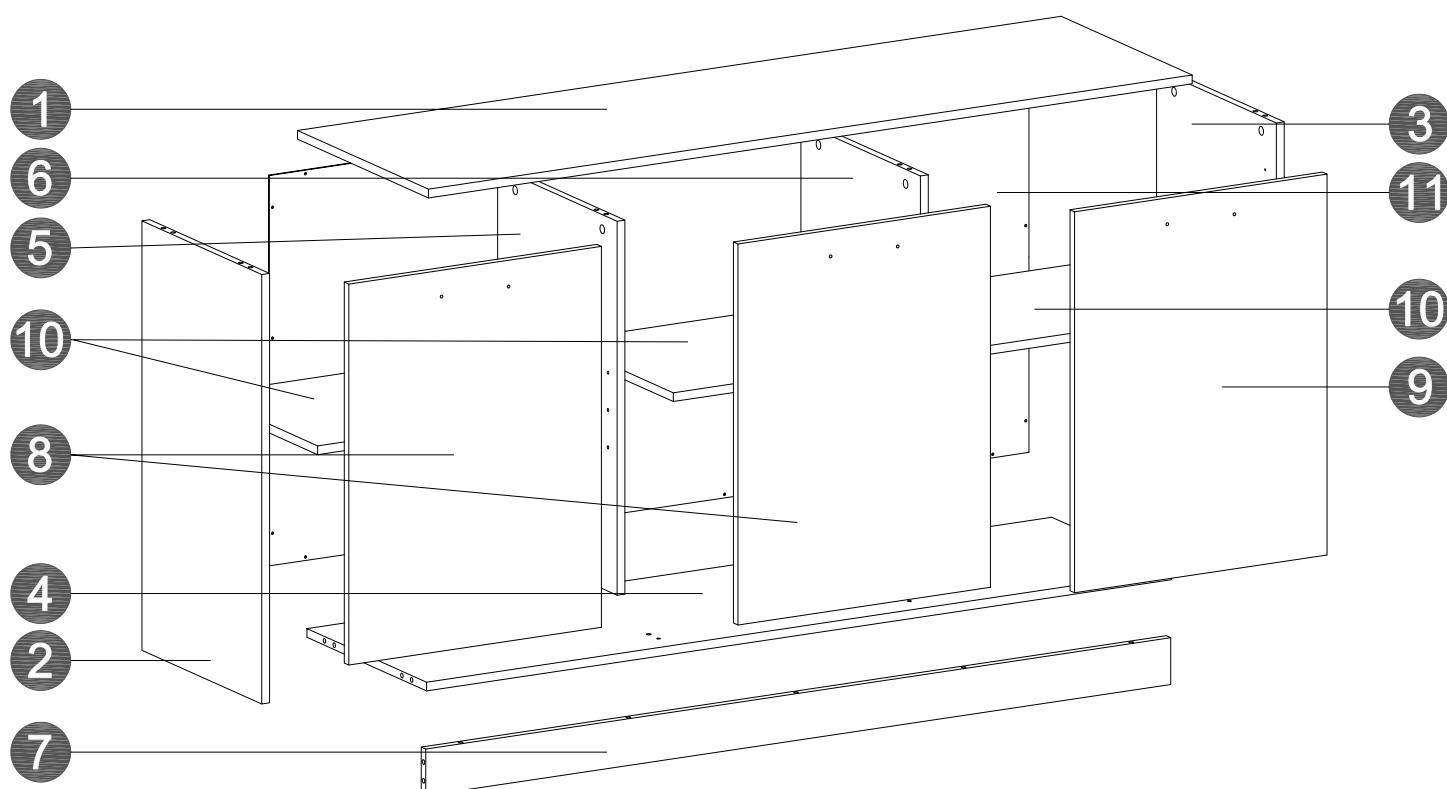
AK4101
AK4125



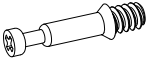


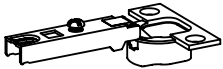
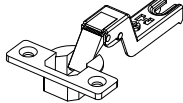
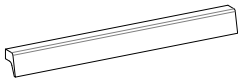


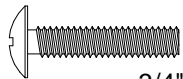
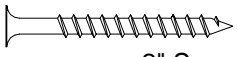
THANK YOU FOR PURCHASING

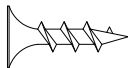

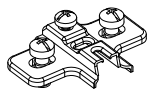
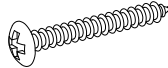

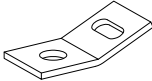


PARTS LIST

① X1	② X1	③ X1	④ X1	⑤ X1
⑥ X1	⑦ X1	⑧ X2	⑨ X1	⑩ X3
⑪ X1				



HARDWARE LIST

Name	Part	Qty.	Spare
A		15	1
B		15	1
C		22	1
D		4	
E		2	
F		3	
F		3	
G		12	
H	 3/4" Bolt	6	1
I	 2" Screw	4	

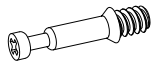
Name	Part	Qty.	Spare
J	 5/8" Screw	12	
K	 3/4" Nail	27	2
L		6	
U1		1	
U2		1	
U3		2	
U4		1	
U5		1	

STEP 1

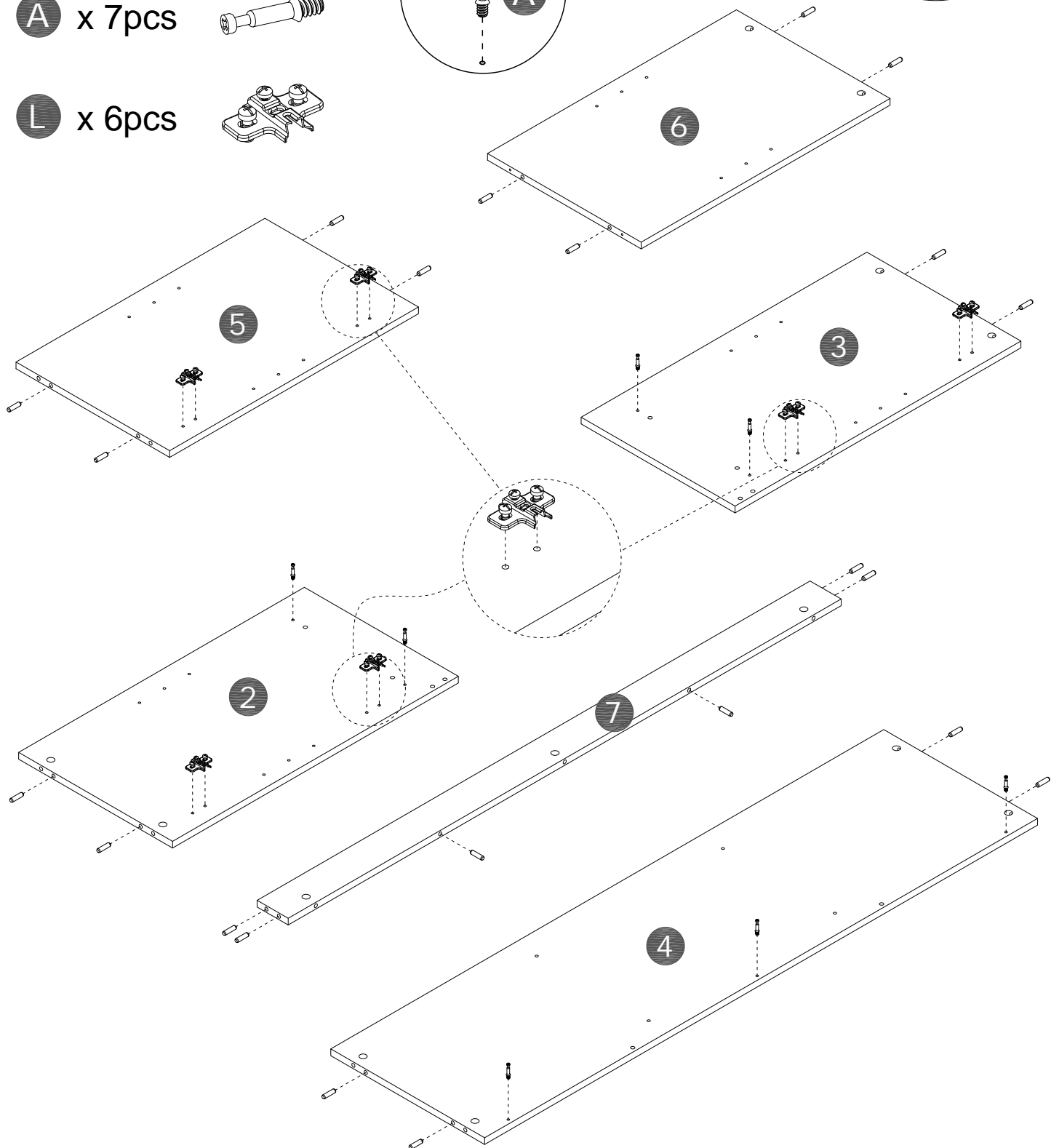
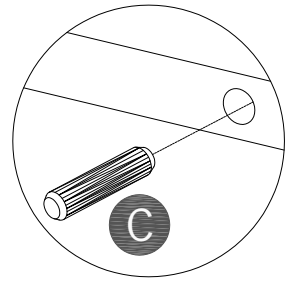
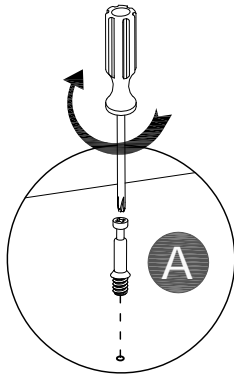
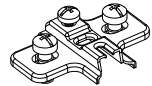
C x 22pcs



A x 7pcs

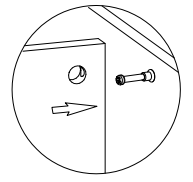
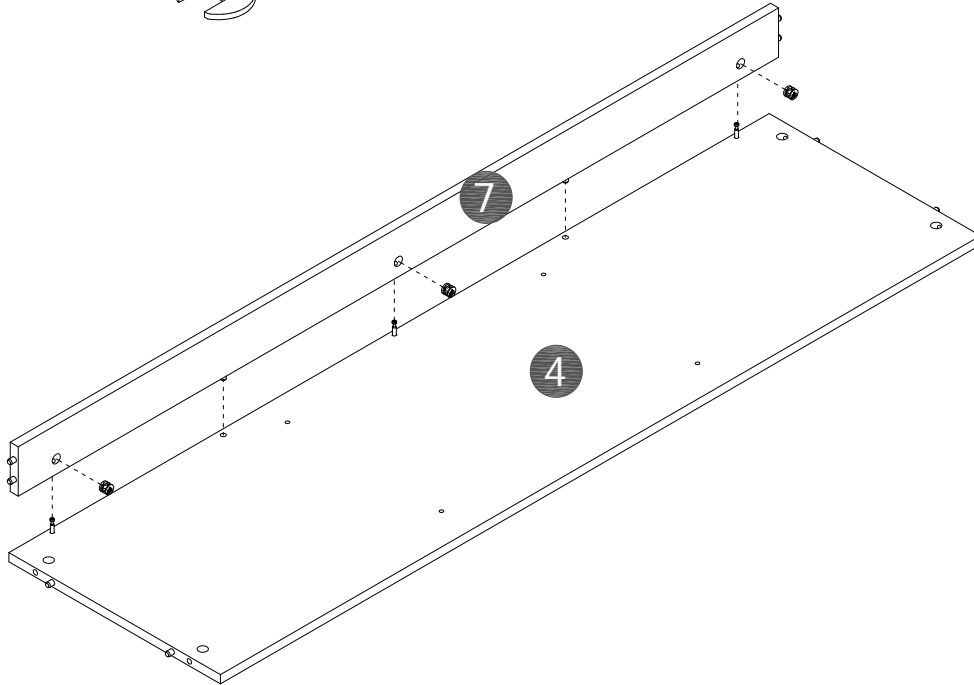


L x 6pcs

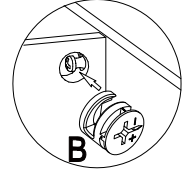


STEP 2

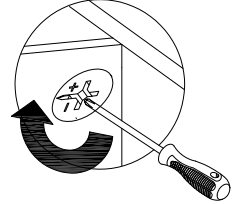
B x 3pcs



2

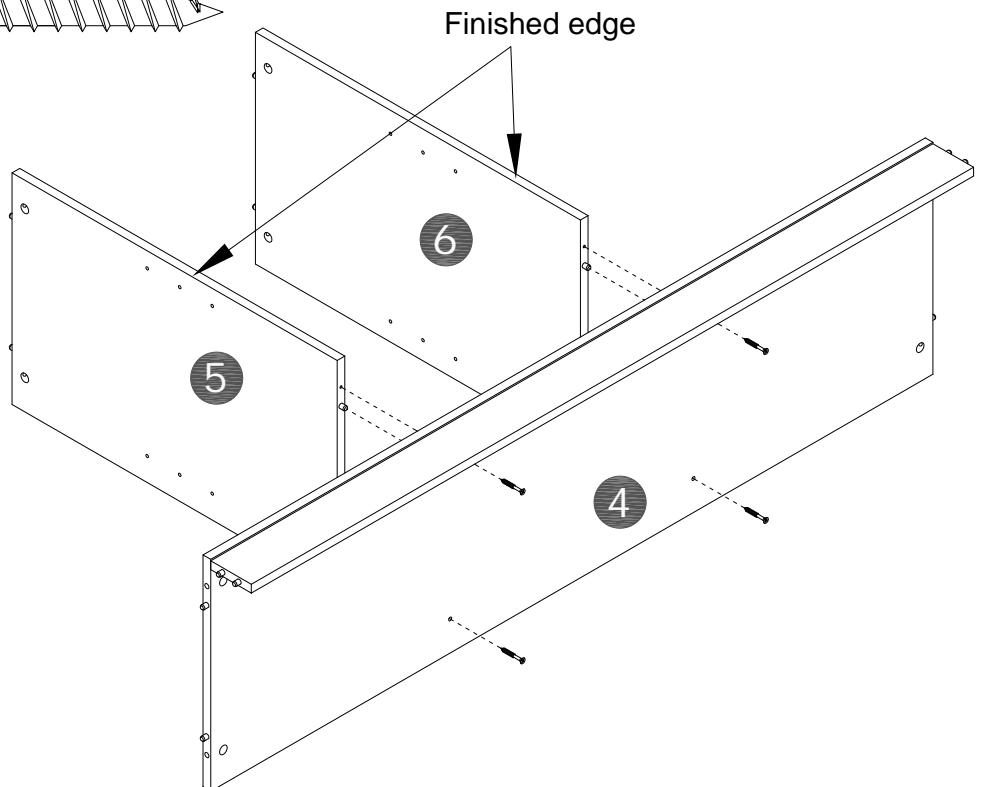
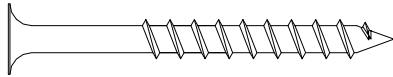


3 Tighten



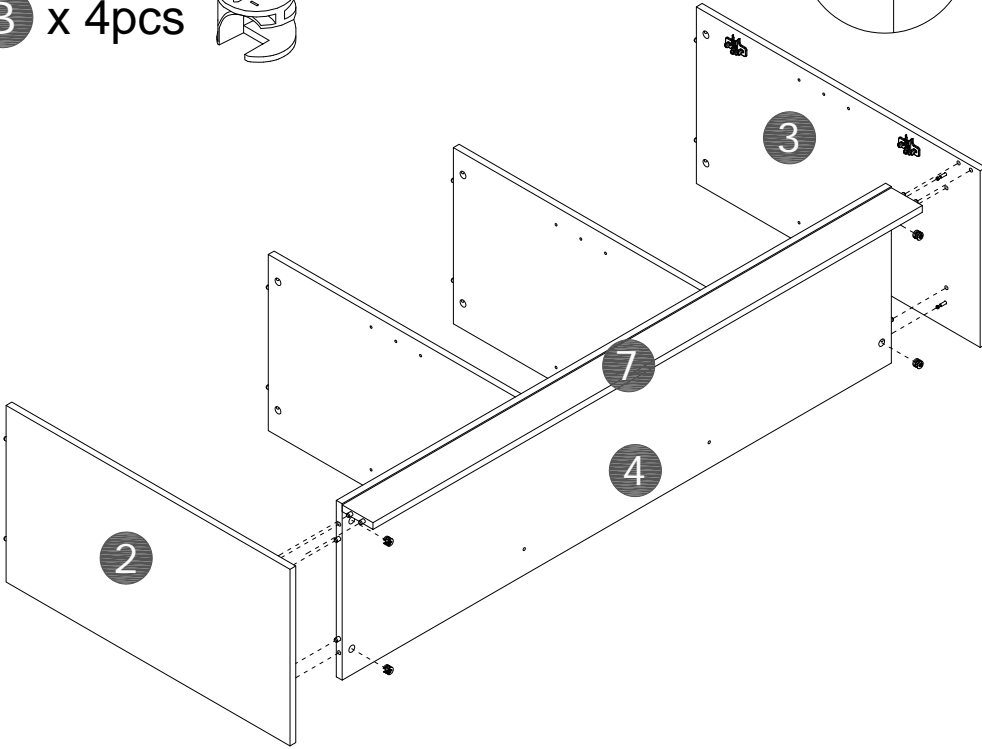
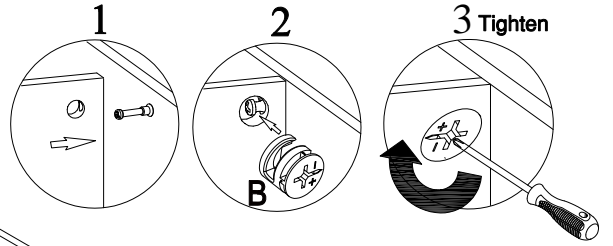
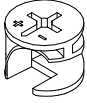
STEP 3

I x 4pcs



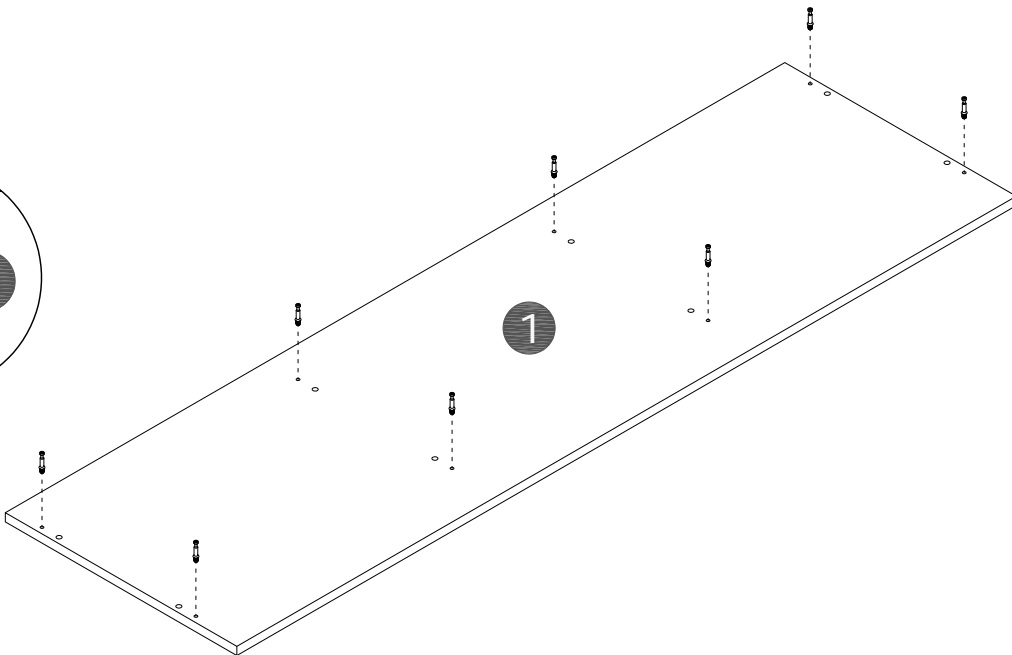
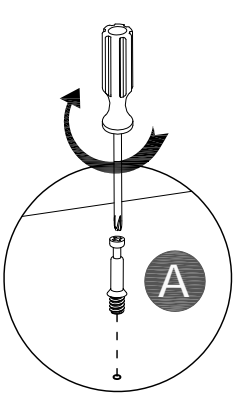
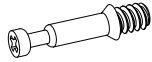
STEP 4

B x 4pcs



STEP 5

A x 8pcs

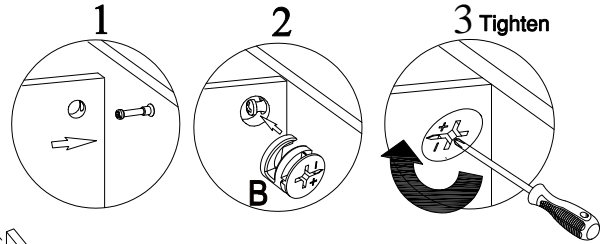
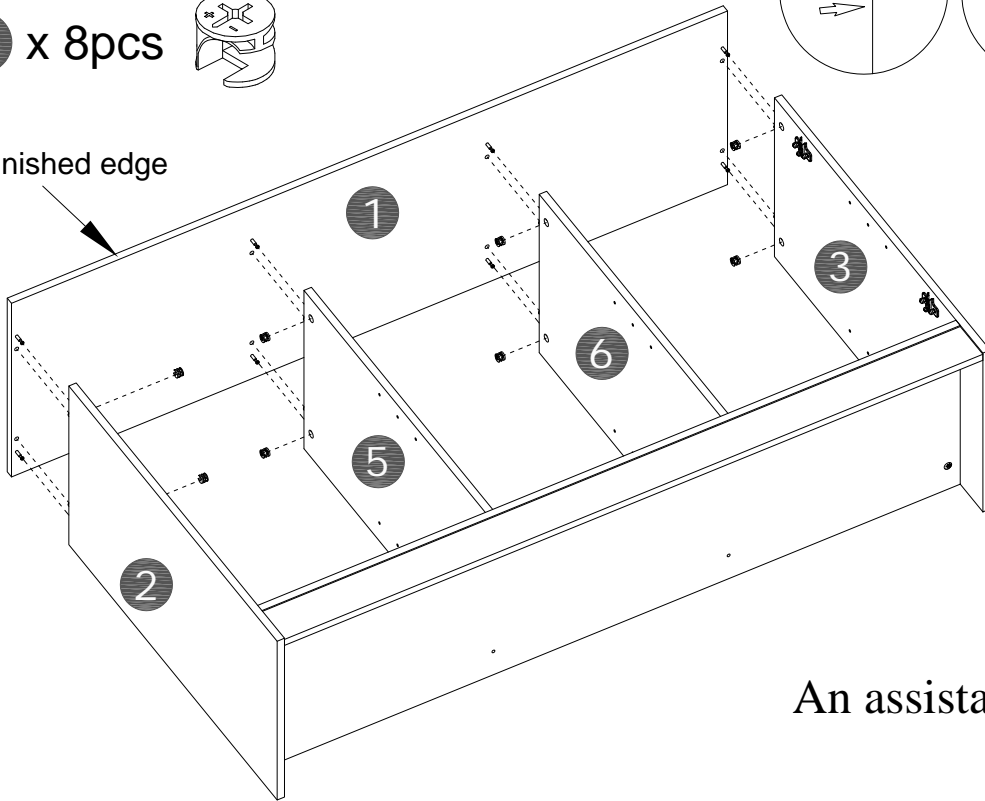


STEP 6

B x 8pcs



Finished edge



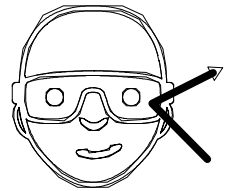
An assistant is required.

STEP 7

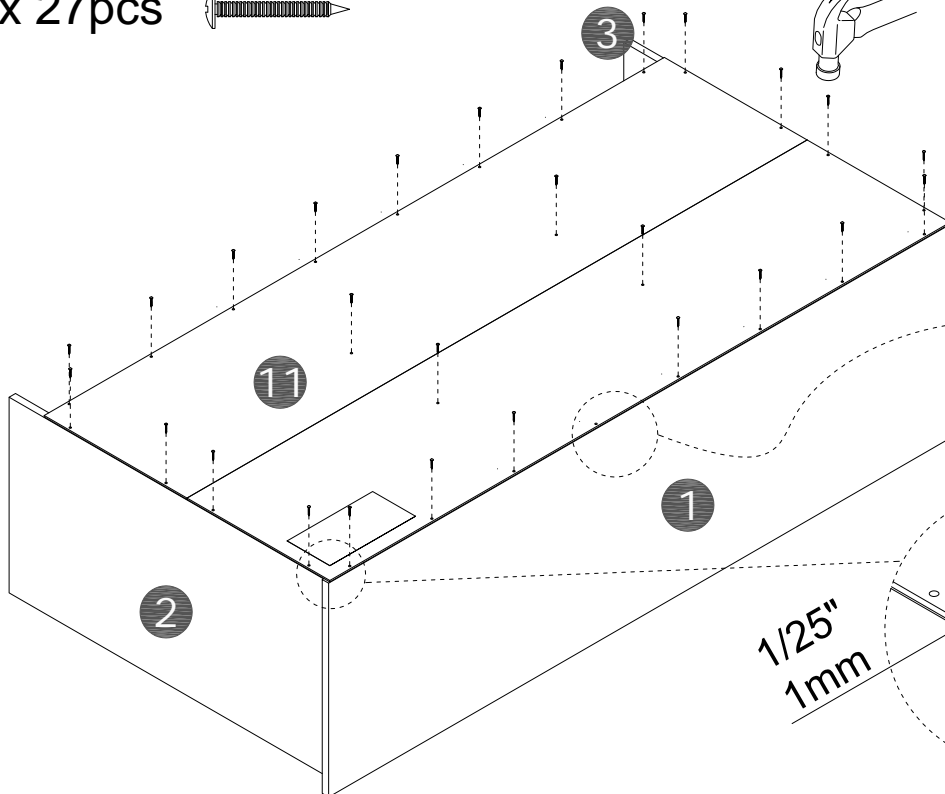
K x 27pcs



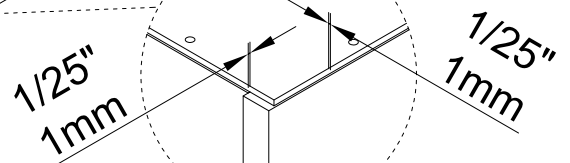
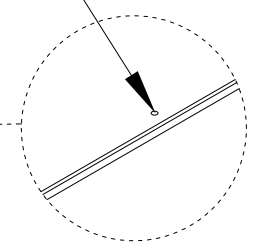
With assistant carefully flip unit over.



Safety glasses

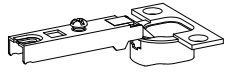


No Screw



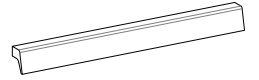
STEP 8

D x 4pcs

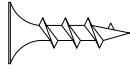


AK4100

F x 2pcs



J x 8pcs

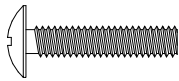


AK4101

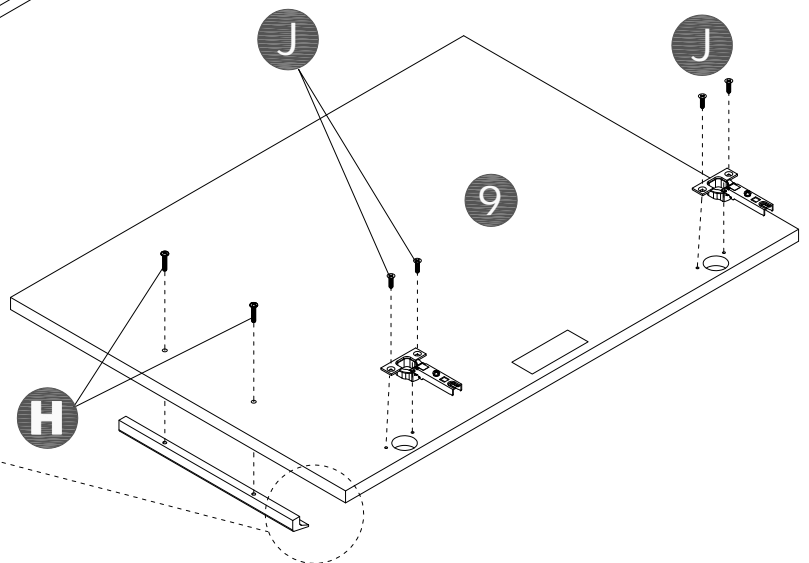
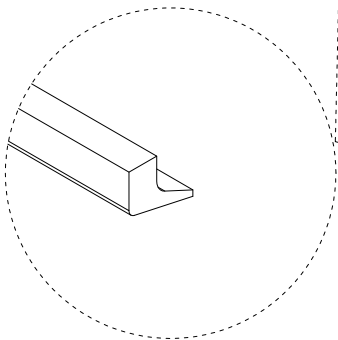
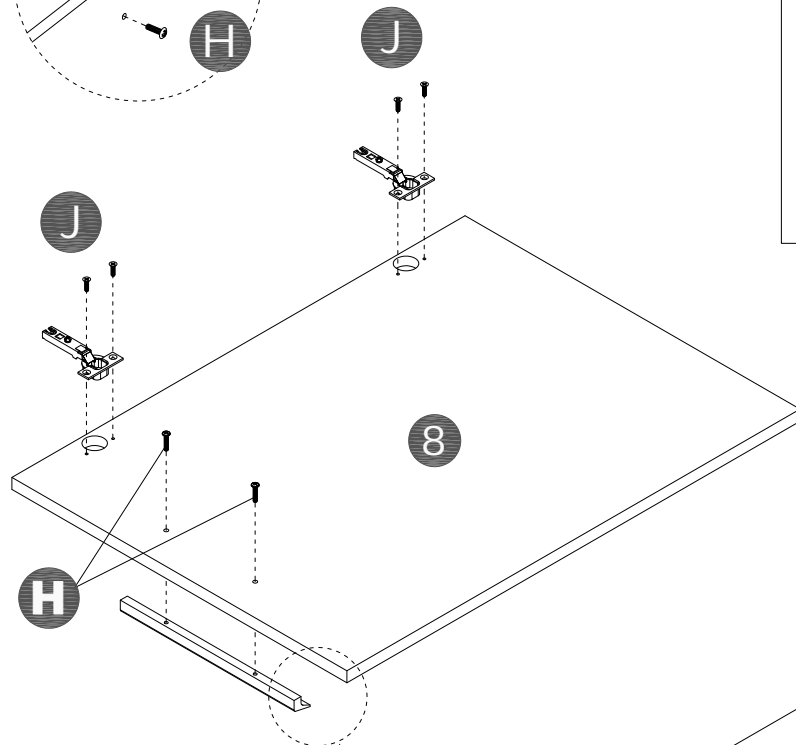
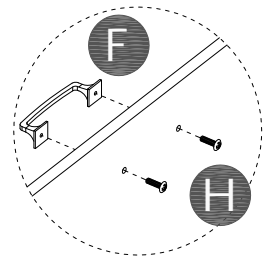
F x 2pcs



H x 4pcs



AK4125

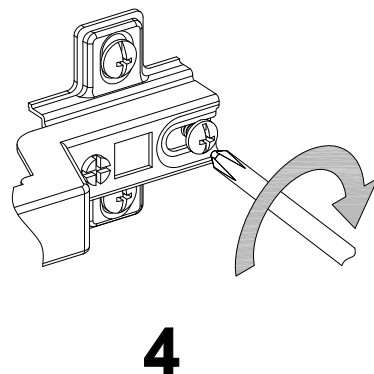
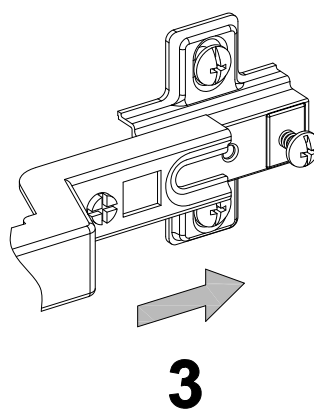
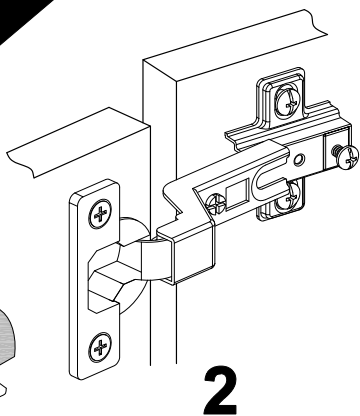
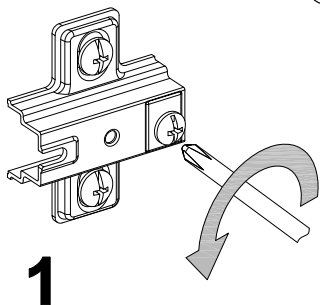


WARNING

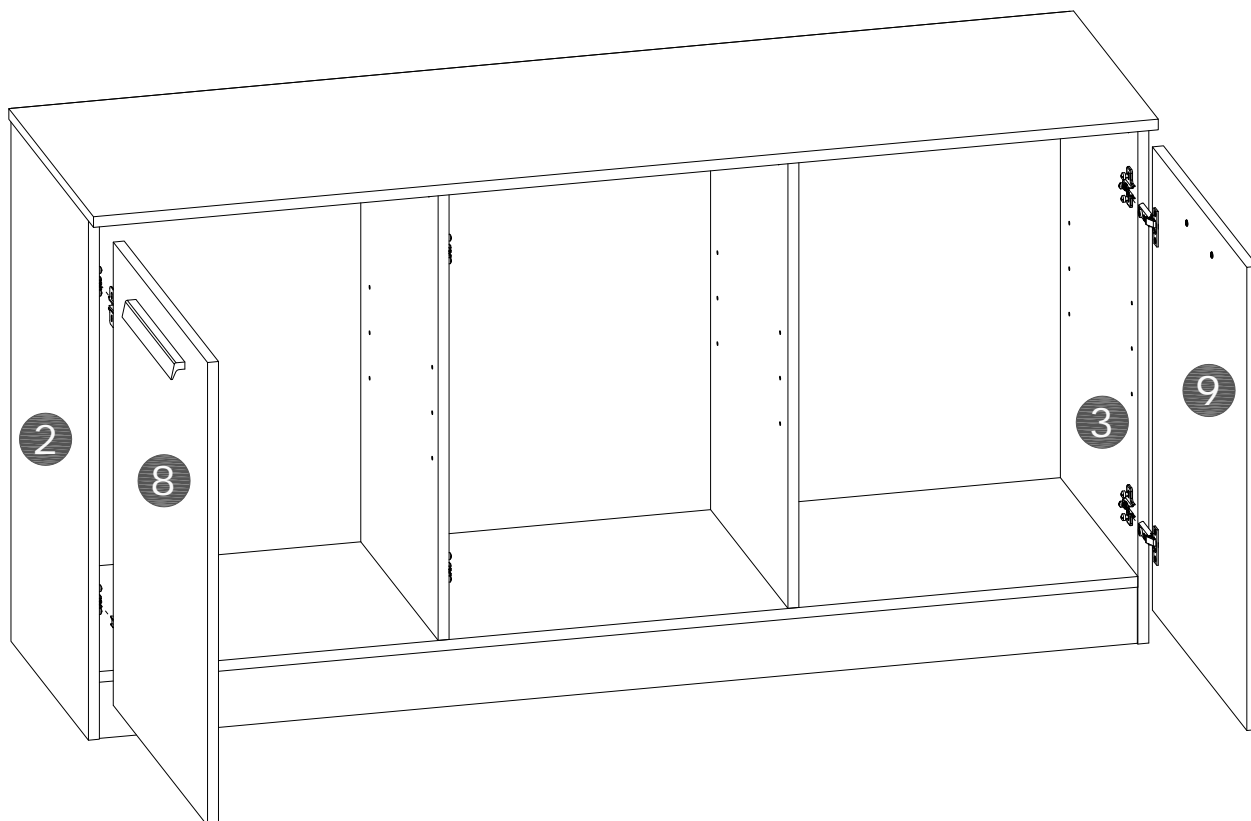
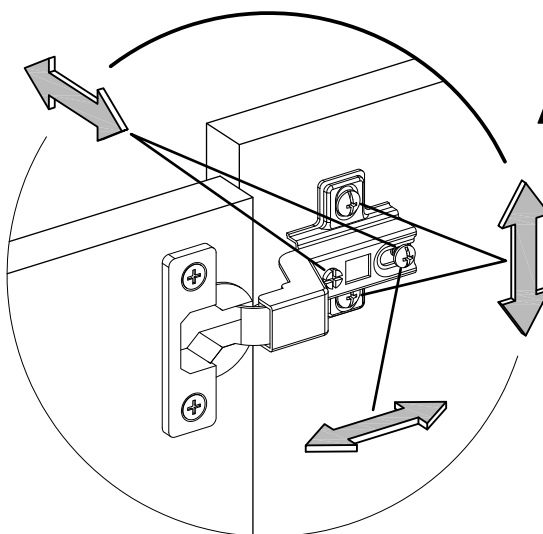
Caution, Storing electronic equipment may result in equipment overheating. Shelves located behind doors are not intended for storing electronic equipment. Placing electronic equipment in this area may result in equipment overheating

STEP 9

Installation

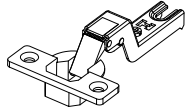


With assistant carefully stand unit up.



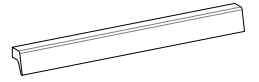
STEP 10

E x 2pcs

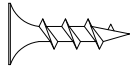


AK4100

F x 1pc



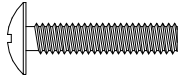
J x 4pcs



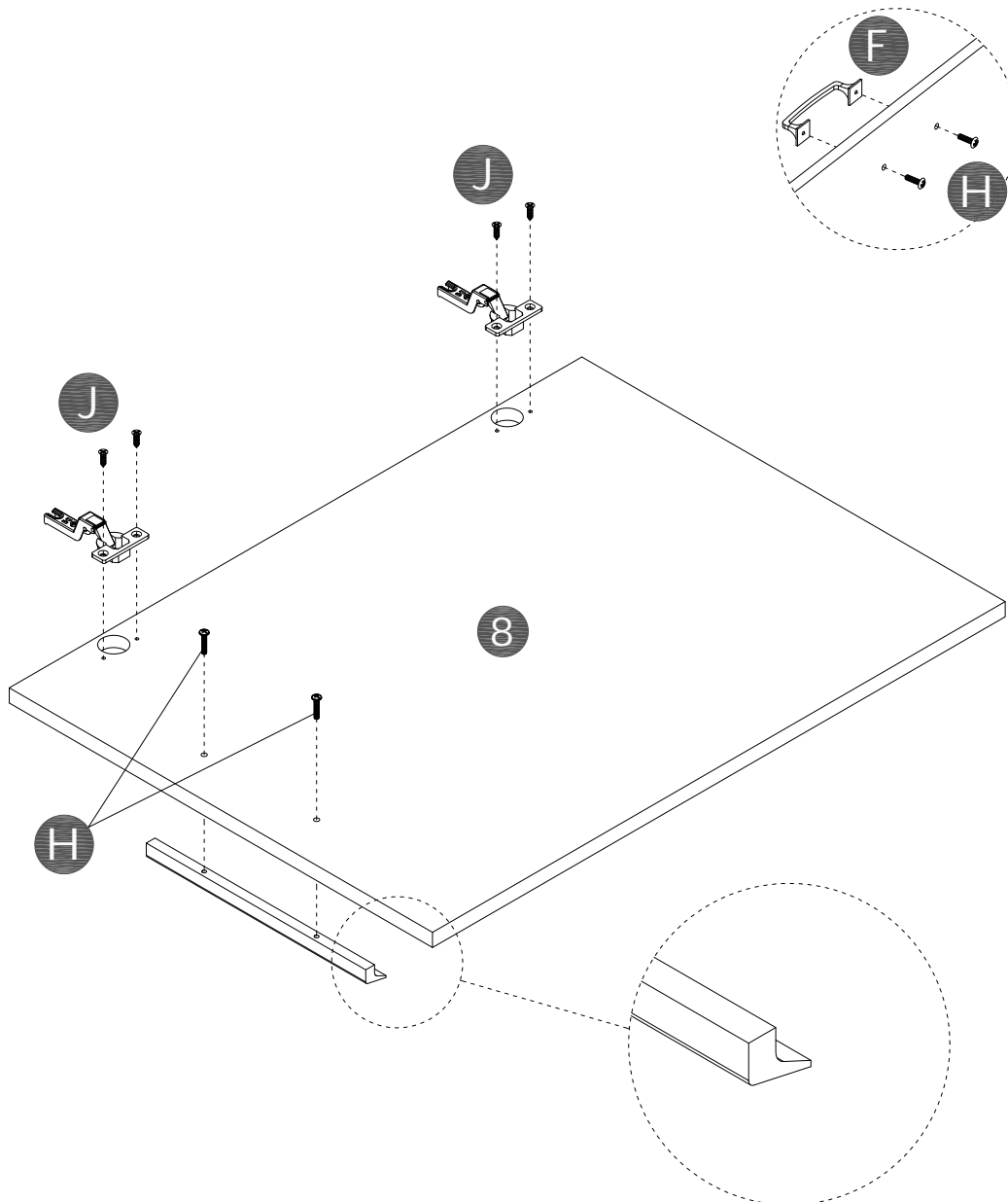
AK4101

F x 1pc

H x 2pcs

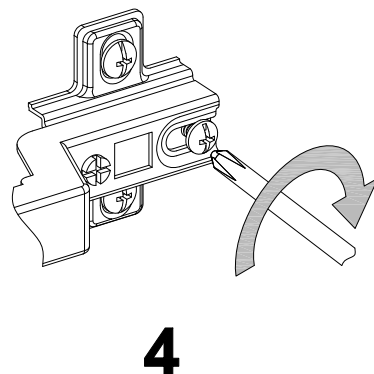
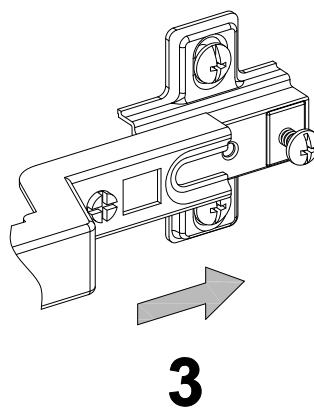
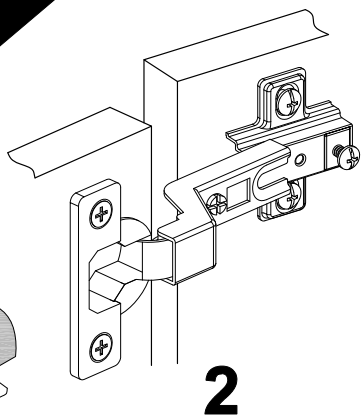
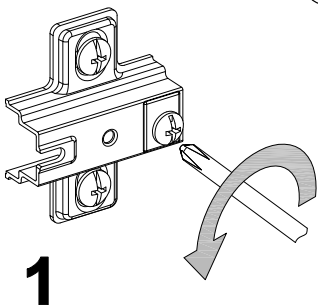


AK4125

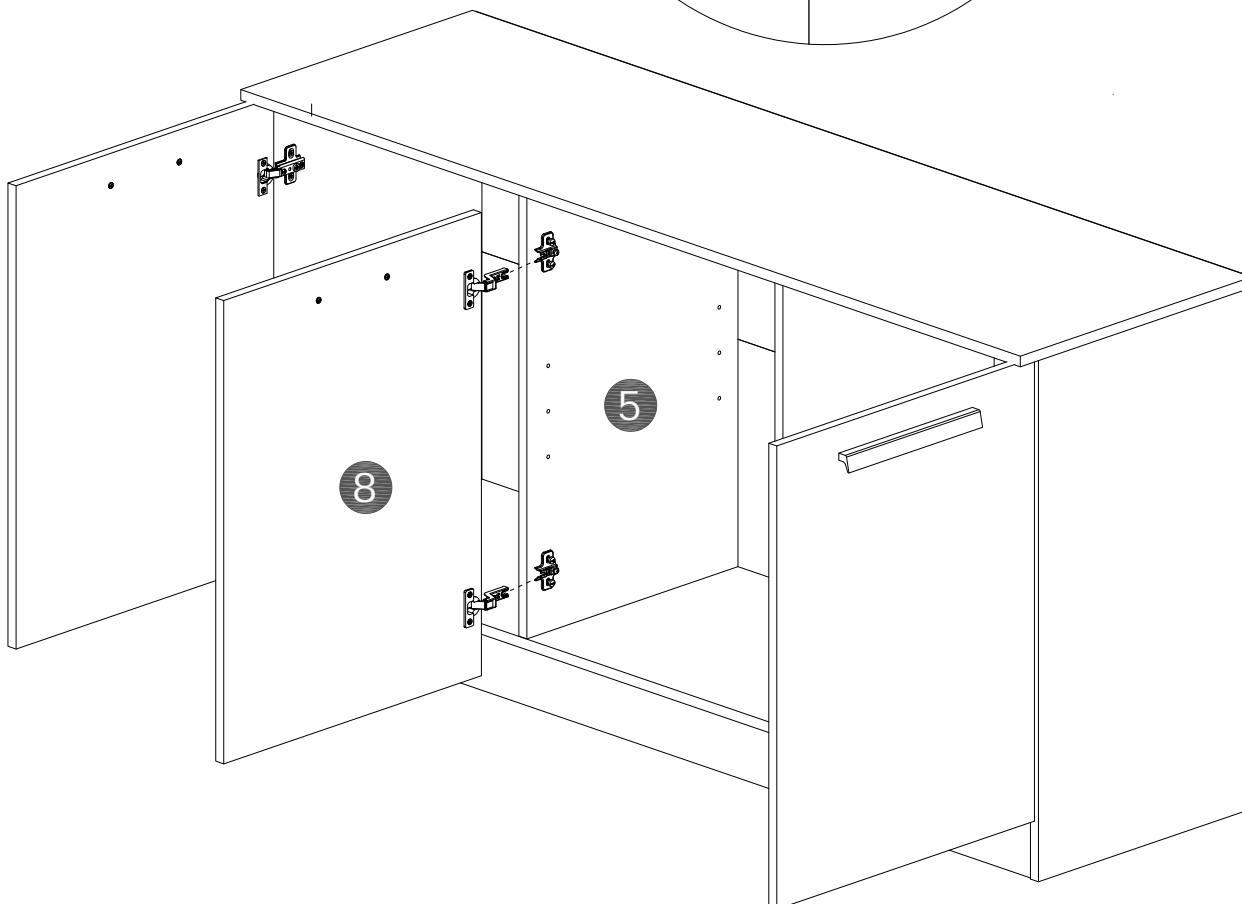
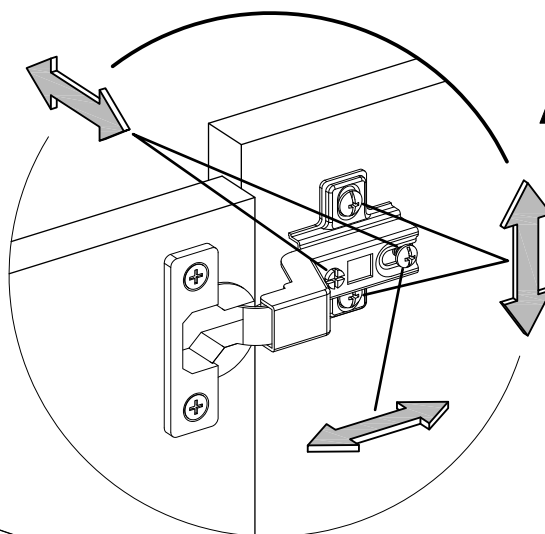


STEP 11

Installation

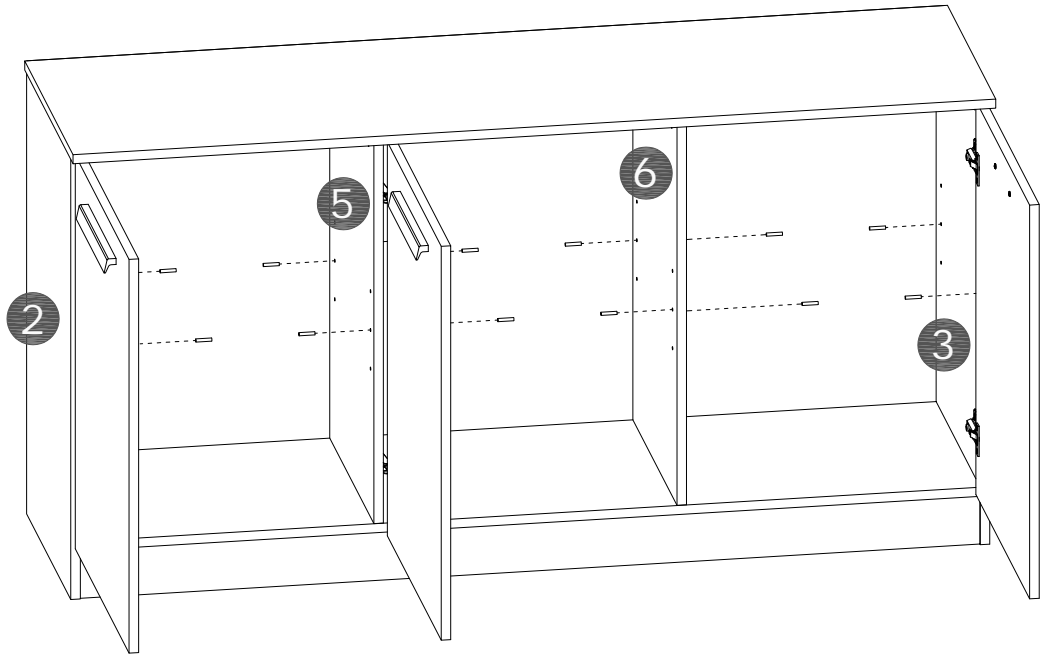


With assistant carefully stand unit up.

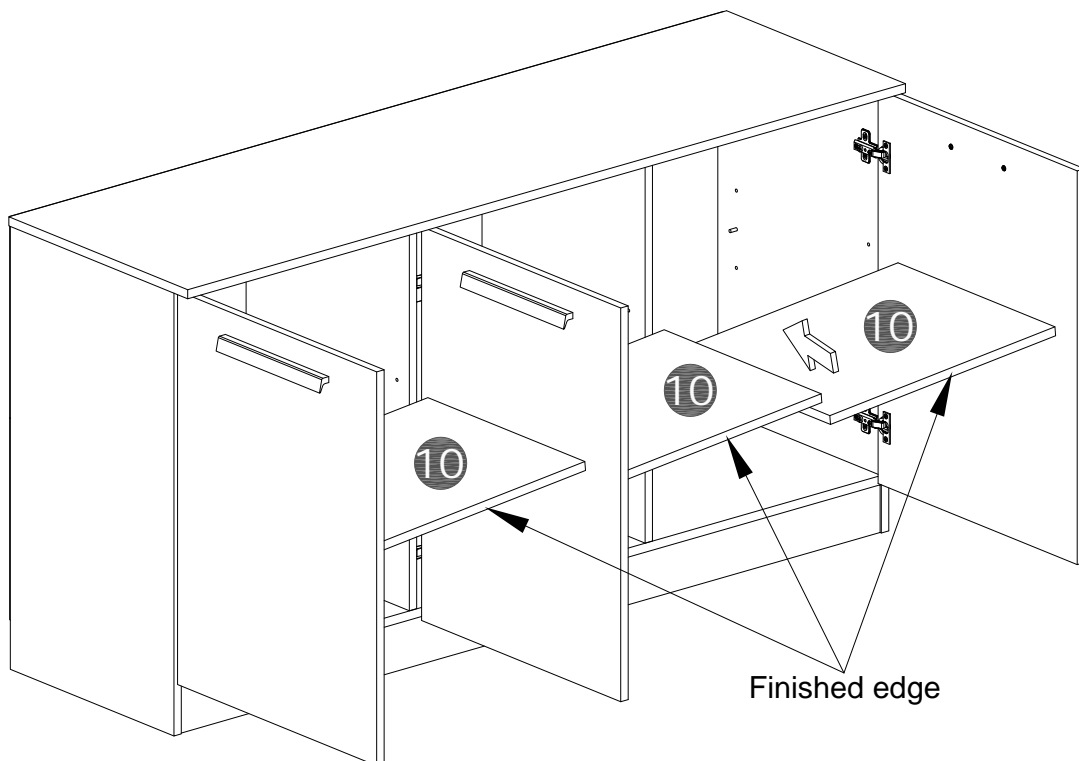


STEP 12

G x 12pcs 




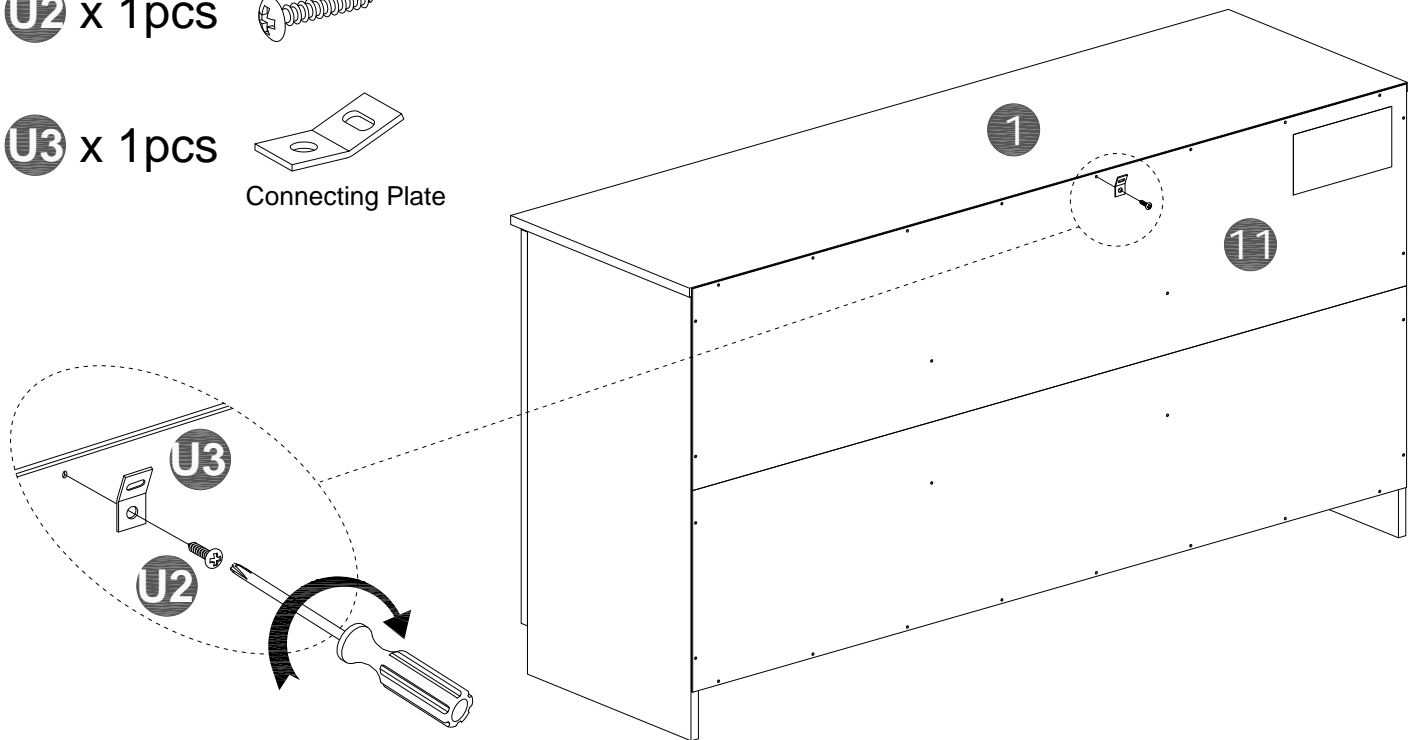
STEP 13



STEP 14

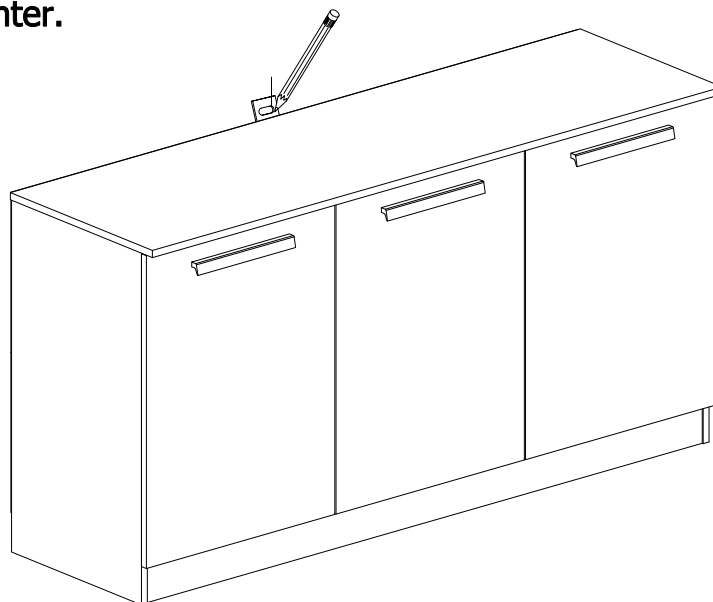
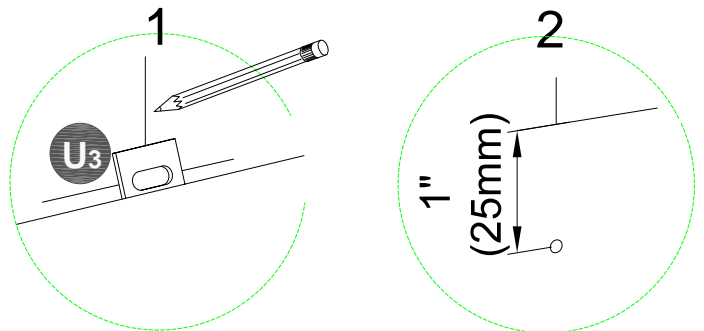
U2 x 1pcs 

U3 x 1pcs 
Connecting Plate



STEP 15

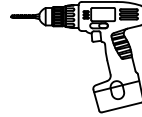
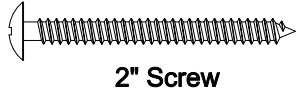
1. Place unit in desired location.
2. Locate wall stud nearest unit center.
3. On wall, mark center of stud location 1" below top of unit.
4. If a wall stud cannot be located mark hollow wall at unit center.



STEP 16

WALL STUD ATTACHMENT

U₁ x 1pc



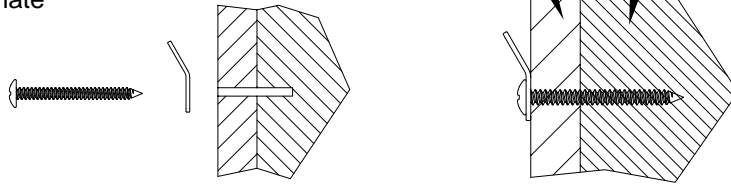
Drill 1/8" hole 2" deep at mark on wall.

U₃ x 1pc



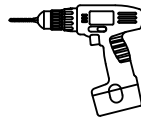
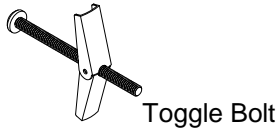
Drywall
Paneles de yeso
cloisons sèches

Wood stud
Montante de madera
Stud bois



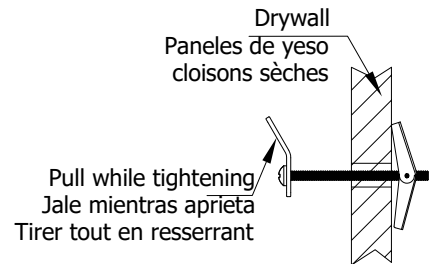
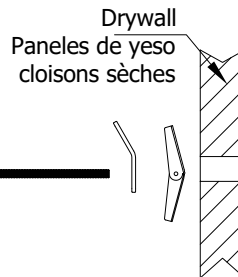
HOLLOW WALL ATTACHMENT

U₄ x 1pc



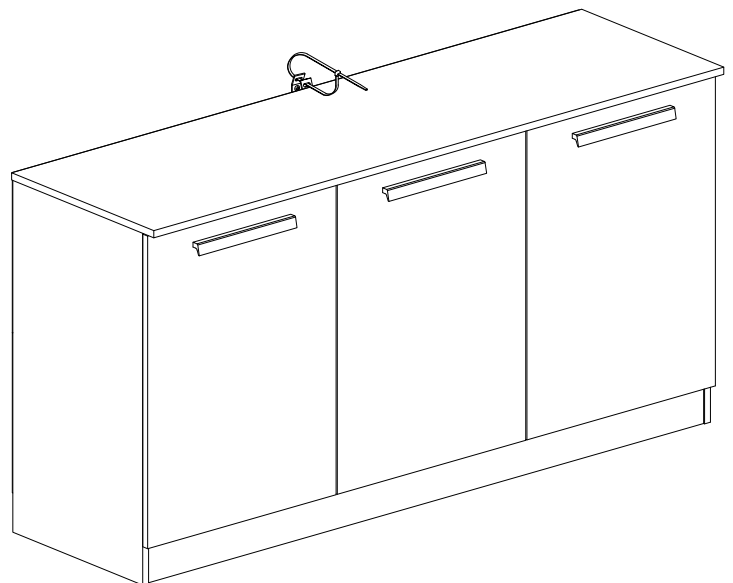
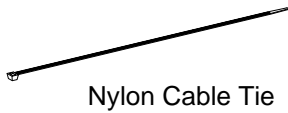
Drill 1/2" hole 1" deep at mark on wall.

U₃ x 1pc



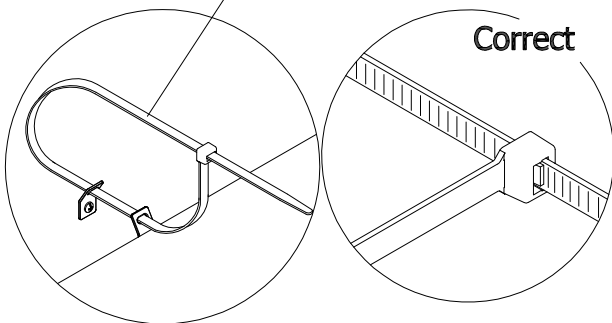
STEP 17

U₅ x 1pc



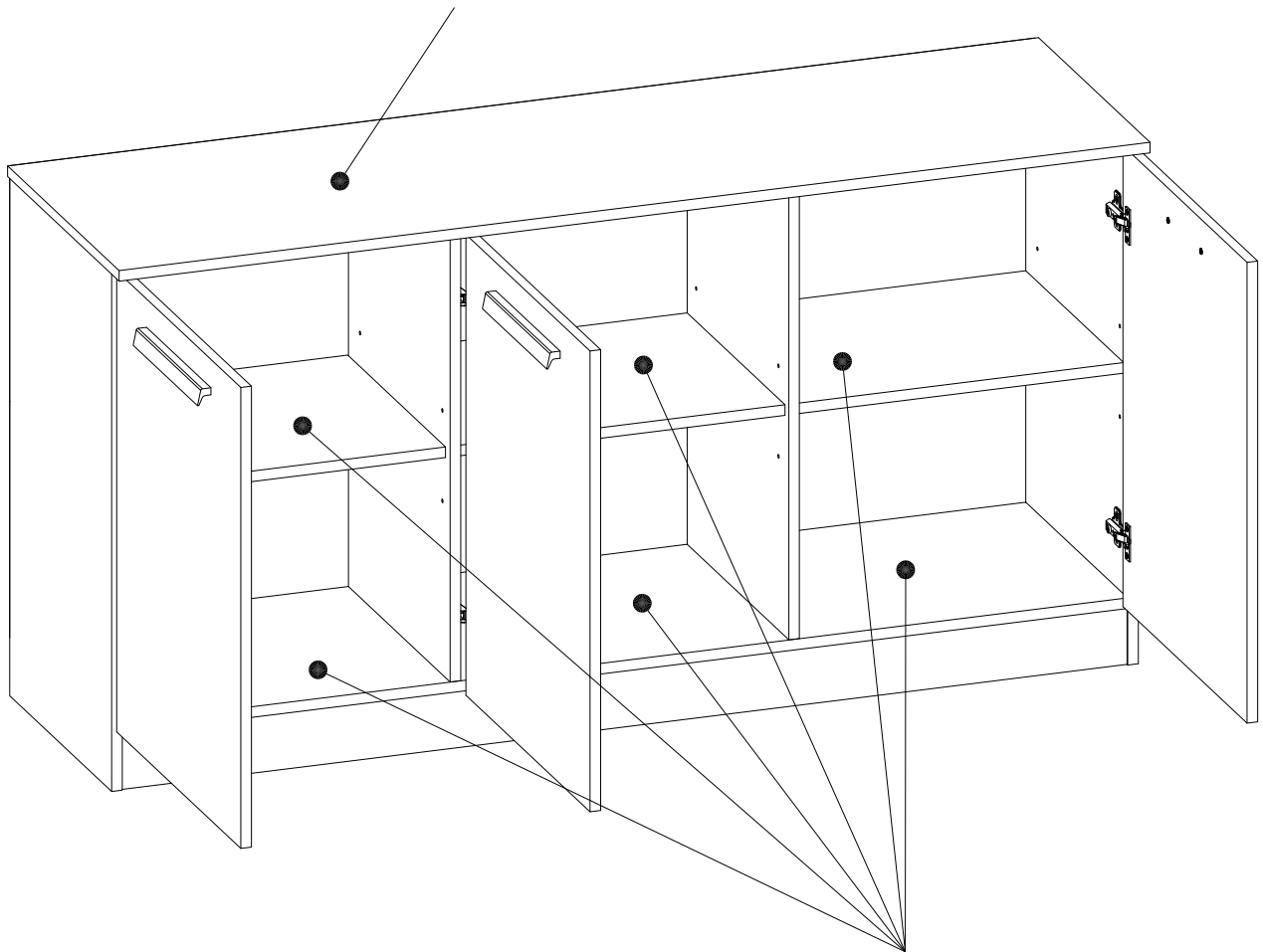
Pull to verify lock

Correct



Maximum weight capacities

MAXIMUM WEIGHT: 75 LBS (34 KG)



MAXIMUM WEIGHT: 26 LBS (12 KG)

What is Proposition 65?

Proposition 65 is a California law that requires warning labels on products that may contain one of more than 800-plus chemicals or ingredients that the California Office of Environmental Health Hazard Assessment (OEHHA) has deemed to cause cancer or other reproductive toxicity. Chemicals and elements on this list include wood dust, brass, and other everyday substances, which can be found in very common household items, such as: lamps, tableware, jewelry, crystal glasses, electric cords, beauty products, automobiles, and furniture.

Why Did I Find a Proposition 65 Warning on My Home Goods Product?

We include Proposition 65 warnings on all of our products because there is always a chance that one of the 800-plus common chemicals and ingredients listed under this law could potentially be on our furniture or packing materials. We risk large fines under this law, if we don't include this warning.

Should I worry?

We realize you may be worried finding this warning on our products, but we want to reassure you that the hazardous exposure limits for any of these chemicals have never been found on furniture products that we've shipped to our customers. Additionally, this warning label is very common and can be found on almost every piece of furniture sold in the state of California.

Just How Common Are Proposition 65 Warnings?

Proposition 65 warnings have become so common in California that it is hard to take a trip to local bank, grocery store, or restaurant without finding at least one warning. In fact, even the Disney Land Resort has a Proposition 65 warning:

