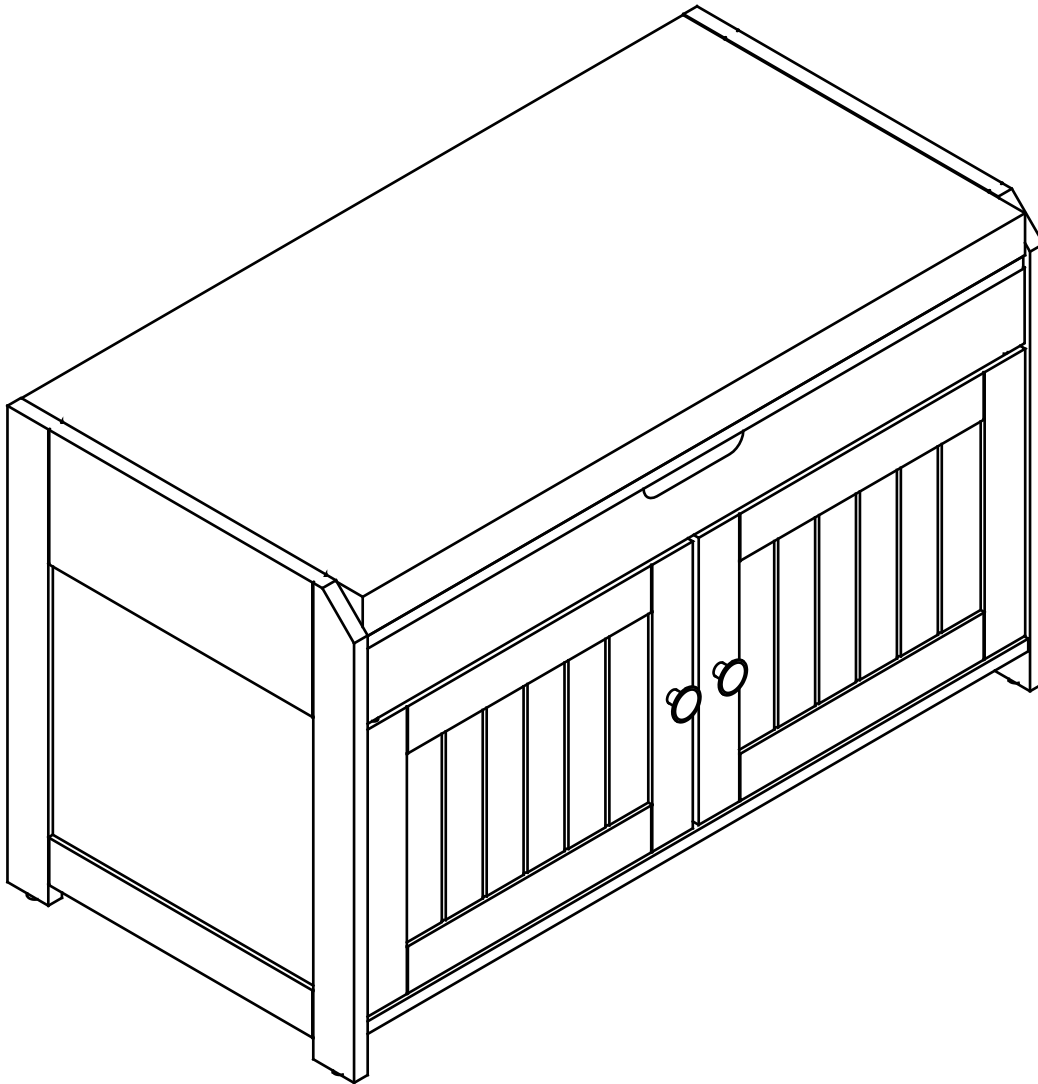


# Shoe Bench

ASSEMBLY INSTRUCTIONS

---



## General Guidelines

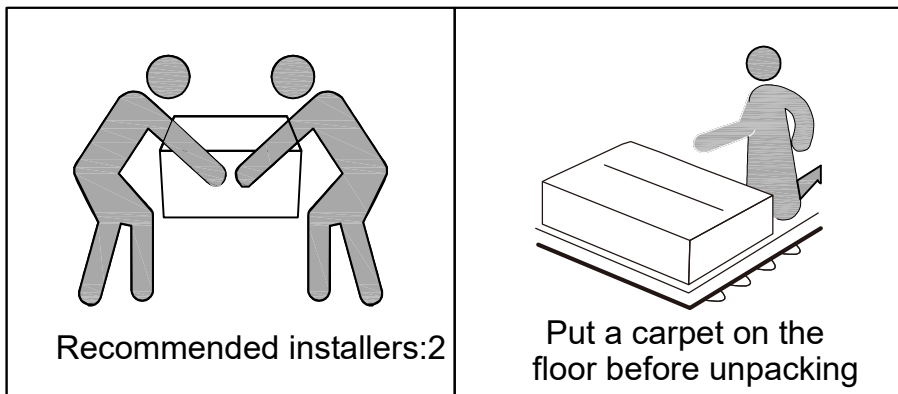
- \* Please read the following instruction carefully and use the product accordingly.
- \* Please keep this manual and hand it over when you transfer the product.
- \* This summary may not include every detail of all variations and considered steps. Please contact us when further information and help are needed.

## Notes

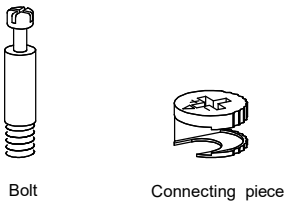
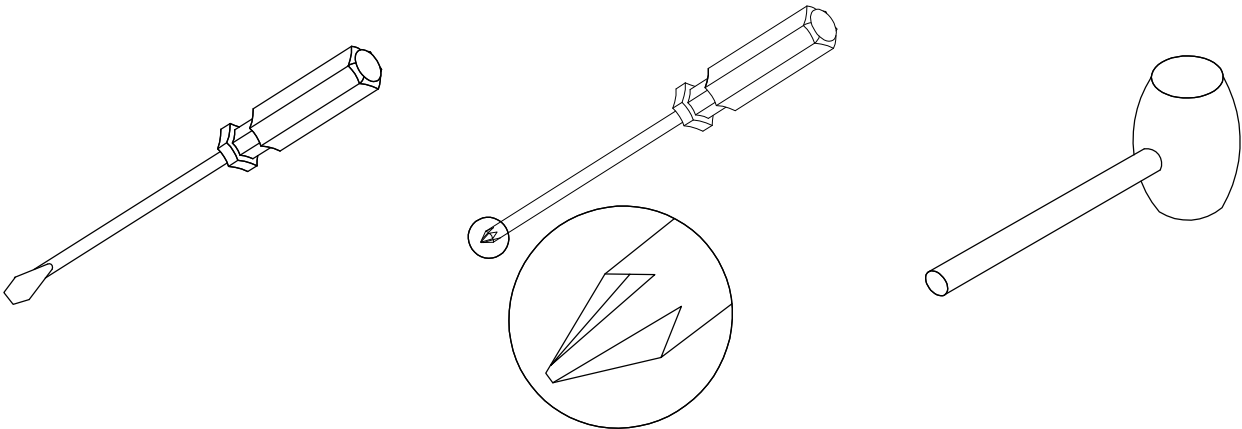
- \* The product is intended for indoor use only. The product must be assembled and used in accordance with the provisions of the manual. Personal injury and/or damage to product may occur if products are used outside of their intended purposes and/or if products have been changed/modified from their original design. The seller does not assume any responsibility or liability with respect to any injury/damage caused by incorrect assembly or improper use.
- \* If there are any defective or missing parts after unpacking, please cease assembly immediately and contact us.
- \* Please wear gloves during the assembly and/or disassembly process to avoid scratches from any sharp edges..
- \* Please place this item on level, solid ground during use.
- \* Avoid long-term exposure to humid environments to prevent mildew.
- \* Keep the product away from fire sources and high temperatures. Do not expose the product to direct sunlight.
- \* Do not place any hot objects on the surface of the product.
- \* **Do not fully tighten the screws during initial assembly. Fully tighten screws only once all pieces which are correctly assembled**

## Warnings

- \* Children are not allowed to assemble the product. During assembly, keep all any small parts out of the reach of children as they may be fatal if swallowed or inhaled.
- \* Children are forbidden to climb or play on the product to avoid serious bodily injury caused by the toppling.
- \* Keep plastic packing bags out of reach of children to avoid any potential danger, such as suffocation.



# ASSEMBLY TOOLS REQUIRED (NOT INCLUDED)

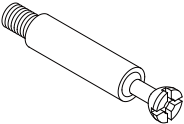


<p>Adjust connecting piece direction until it is properly lined up with the hole.</p>	<p>Insert bolt when connecting piece direction is properly lined up.</p>
---	--

1.
2.
3.
4.

# Hardware Provided

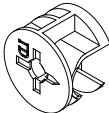
1



Φ6\*35mm

X 17

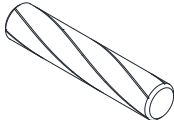
2



Φ15\*10mm

X 17

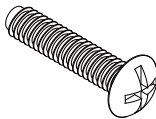
3



Φ6\*30mm

X 24

4



M4\*16mm

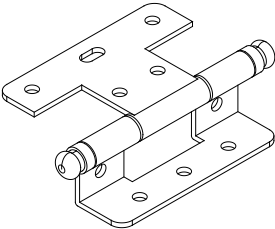
X 2

5



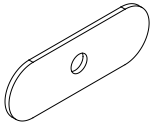
X 2

6



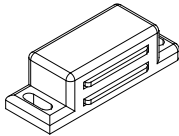
X 2

7



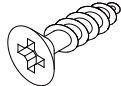
X 2

8



X 1

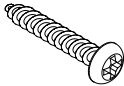
9



M3\*10mm

X 2

10

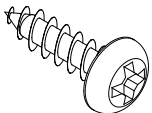


M4\*40mm

X 8

# Hardware Provided

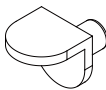
11



M4\*12mm

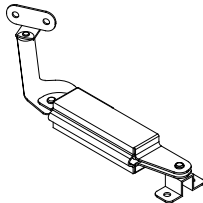
X 8

12



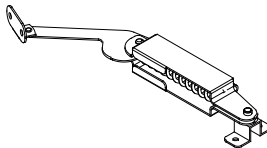
X 4

13



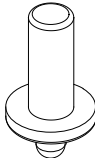
X 1

14



X 1

15



X 4

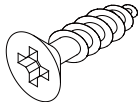
---

16



X 6

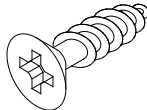
17



M3\*12mm

X 2

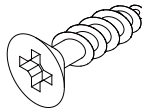
18



M3\*14mm

X 6

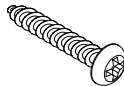
19



M4\*10mm

X 18

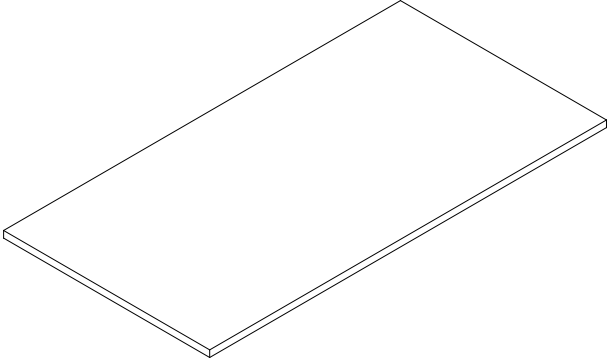
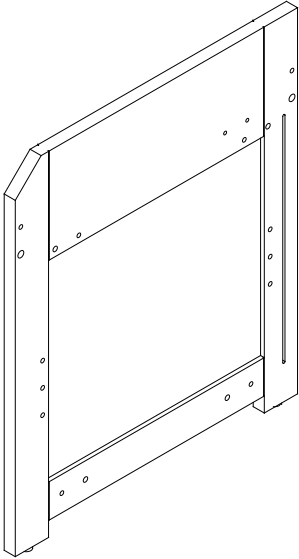
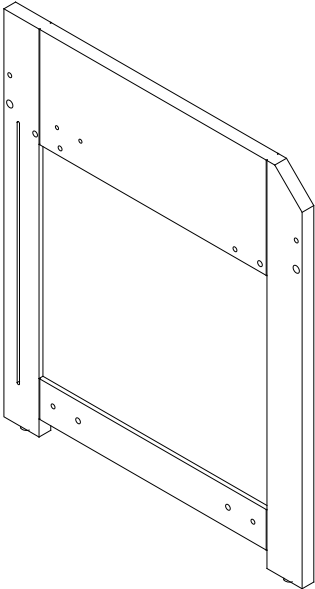
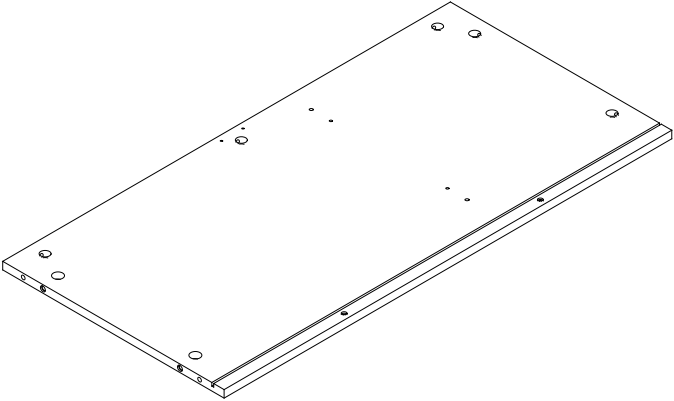
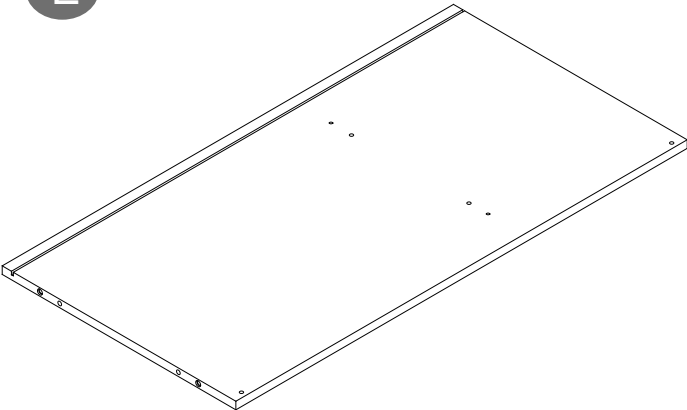
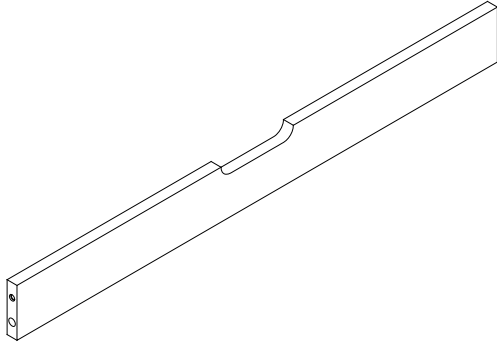
20



M4\*30mm

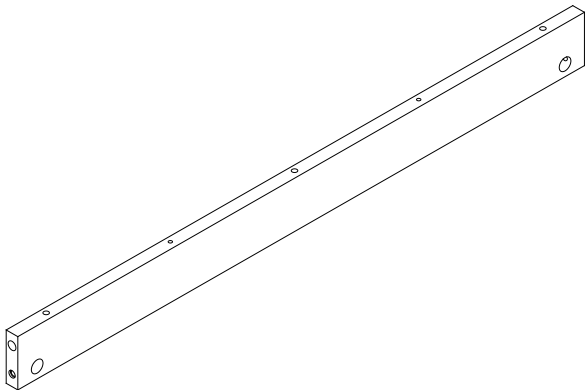
X 1

# Parts Identification

<p><b>A</b></p>  <p><b>X 1</b></p>	<p><b>B</b></p>  <p><b>X 1</b></p>
<p><b>C</b></p>  <p><b>X 1</b></p>	<p><b>D</b></p>  <p><b>X 1</b></p>
<p><b>E</b></p>  <p><b>X 1</b></p>	<p><b>F</b></p>  <p><b>X 1</b></p>

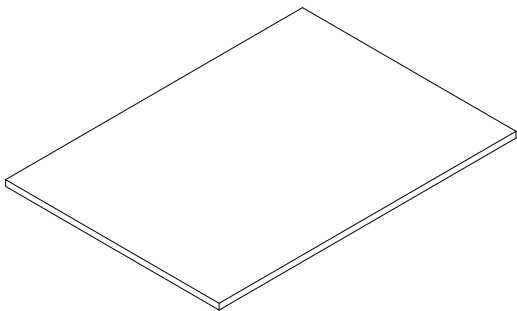
# Parts Identification

**G**



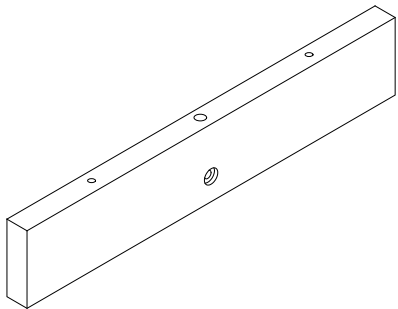
**X 1**

**H**



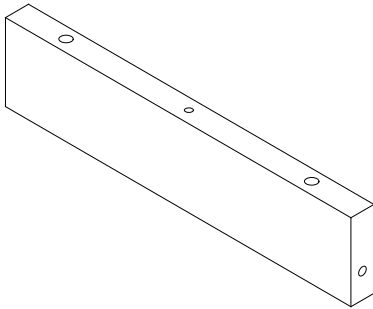
**X 1**

**J**



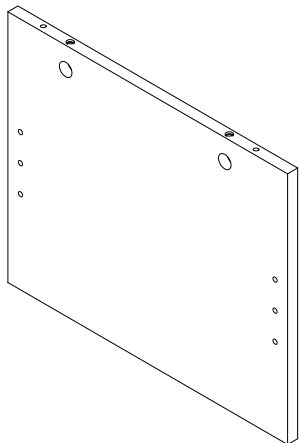
**X 1**

**K**



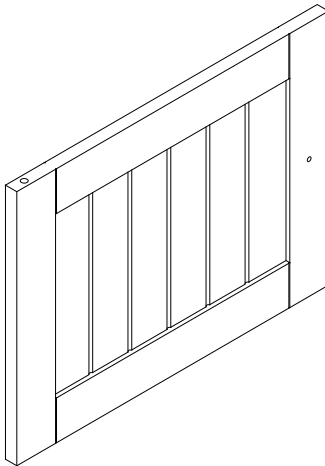
**X 1**

**L**



**X 1**

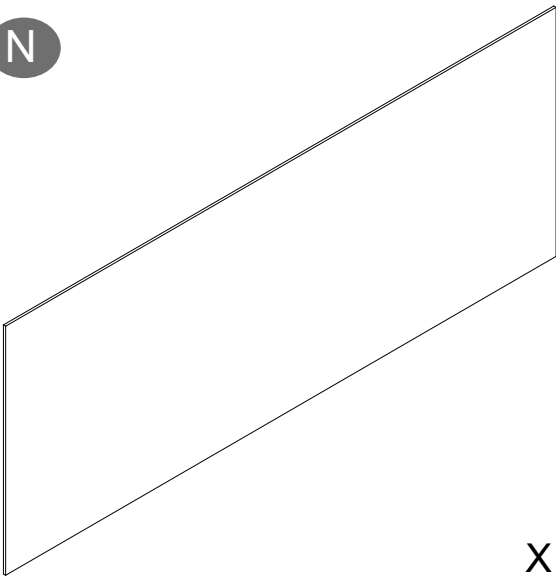
**M**



**X 1**

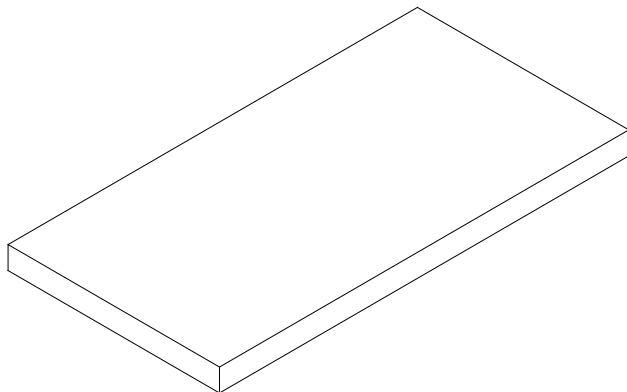
# Parts Identification

**N**



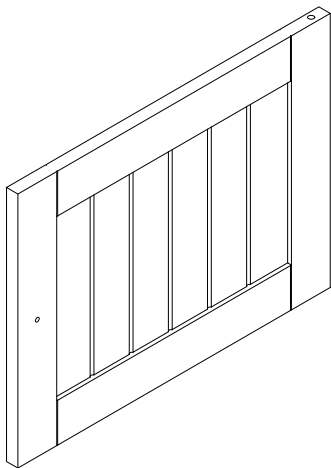
**X 1**

**O**



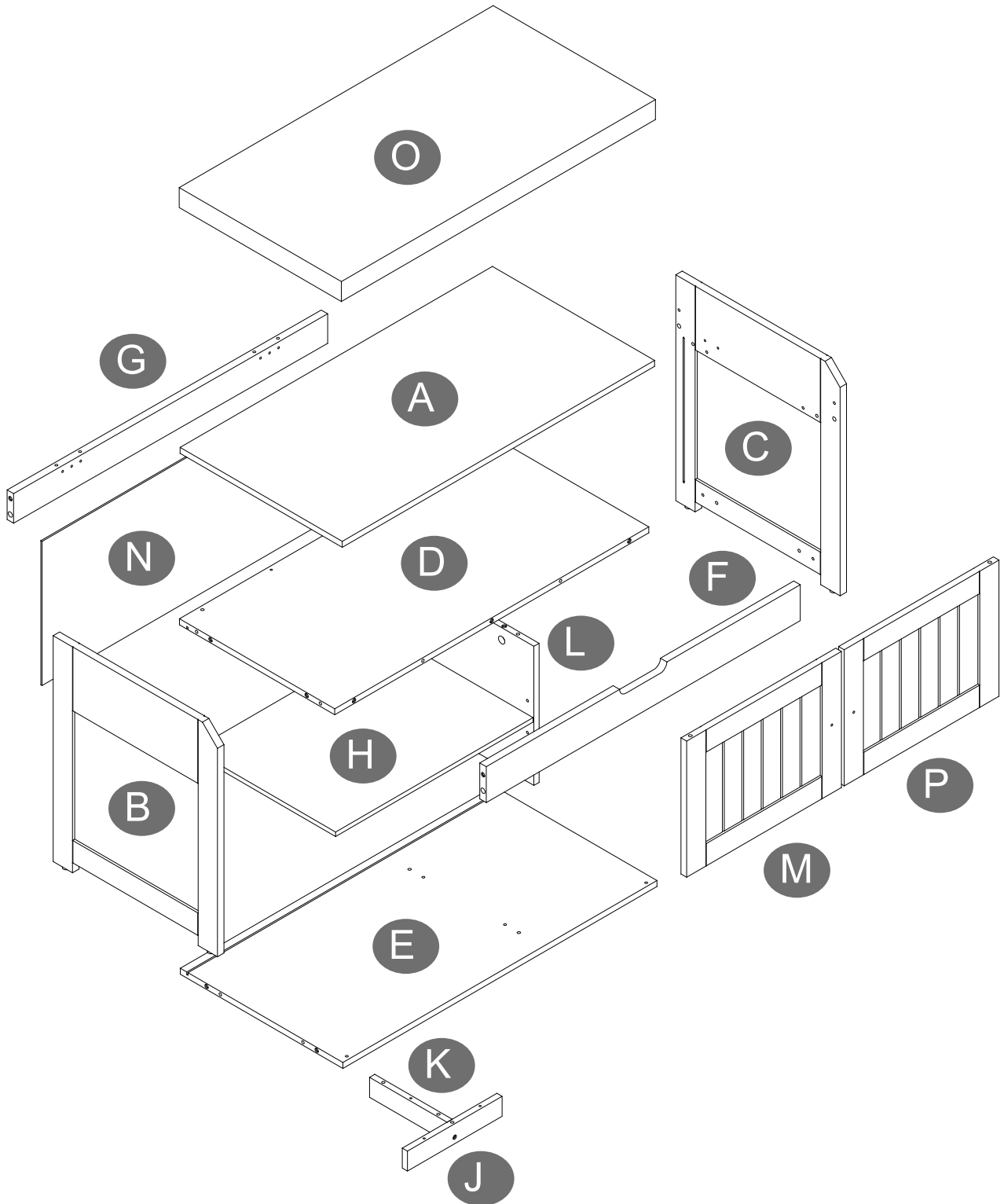
**X 1**

**P**

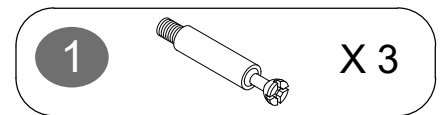
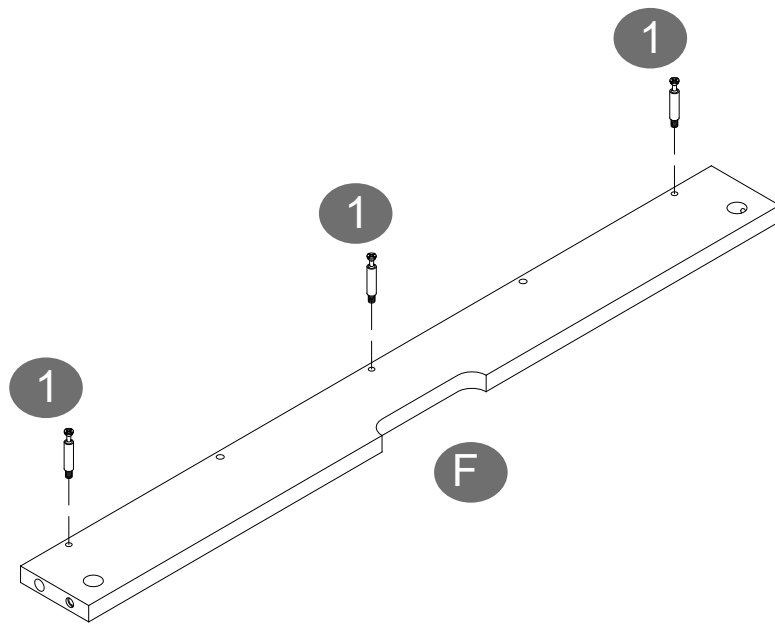


**X 1**

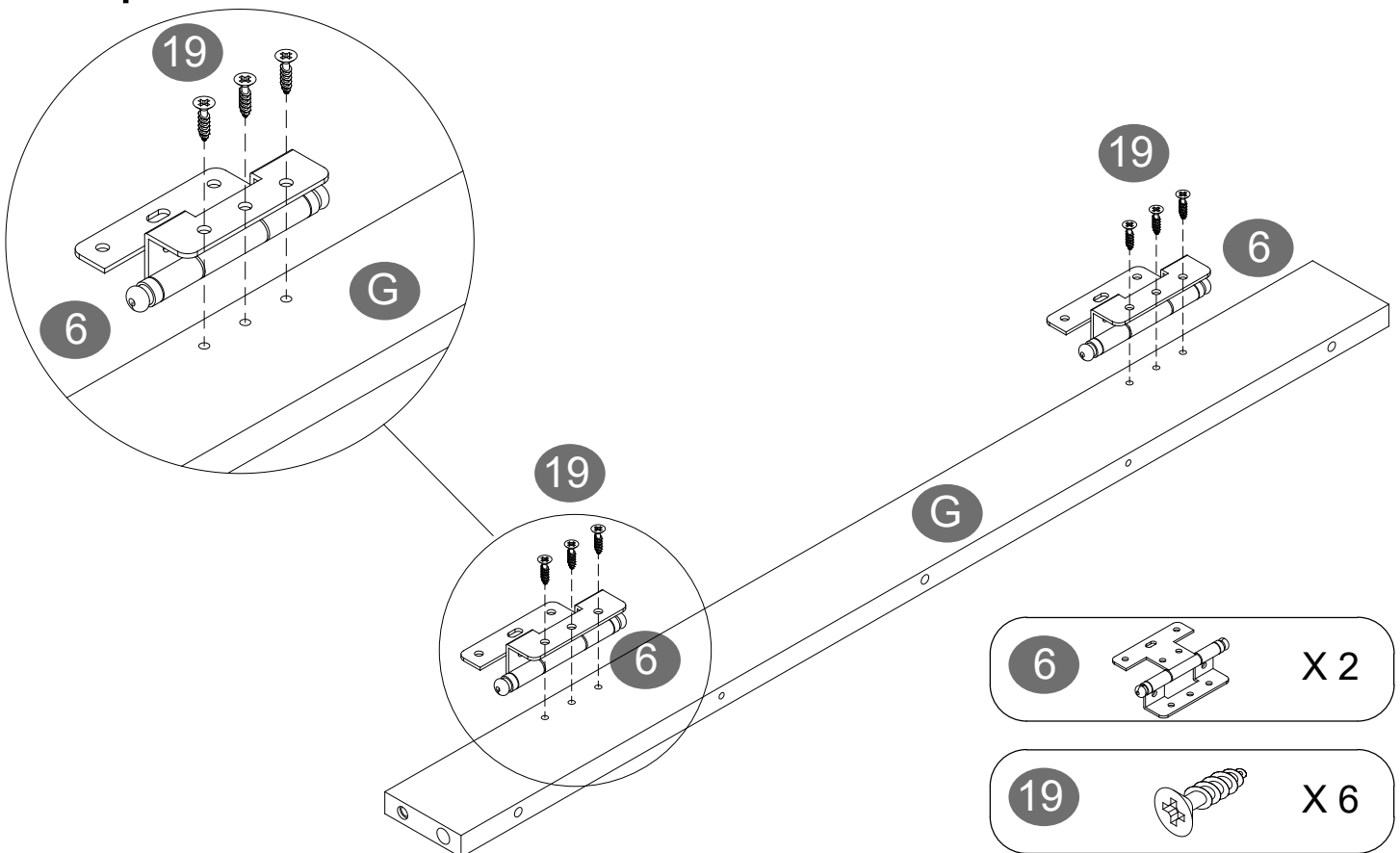
# Exploded View



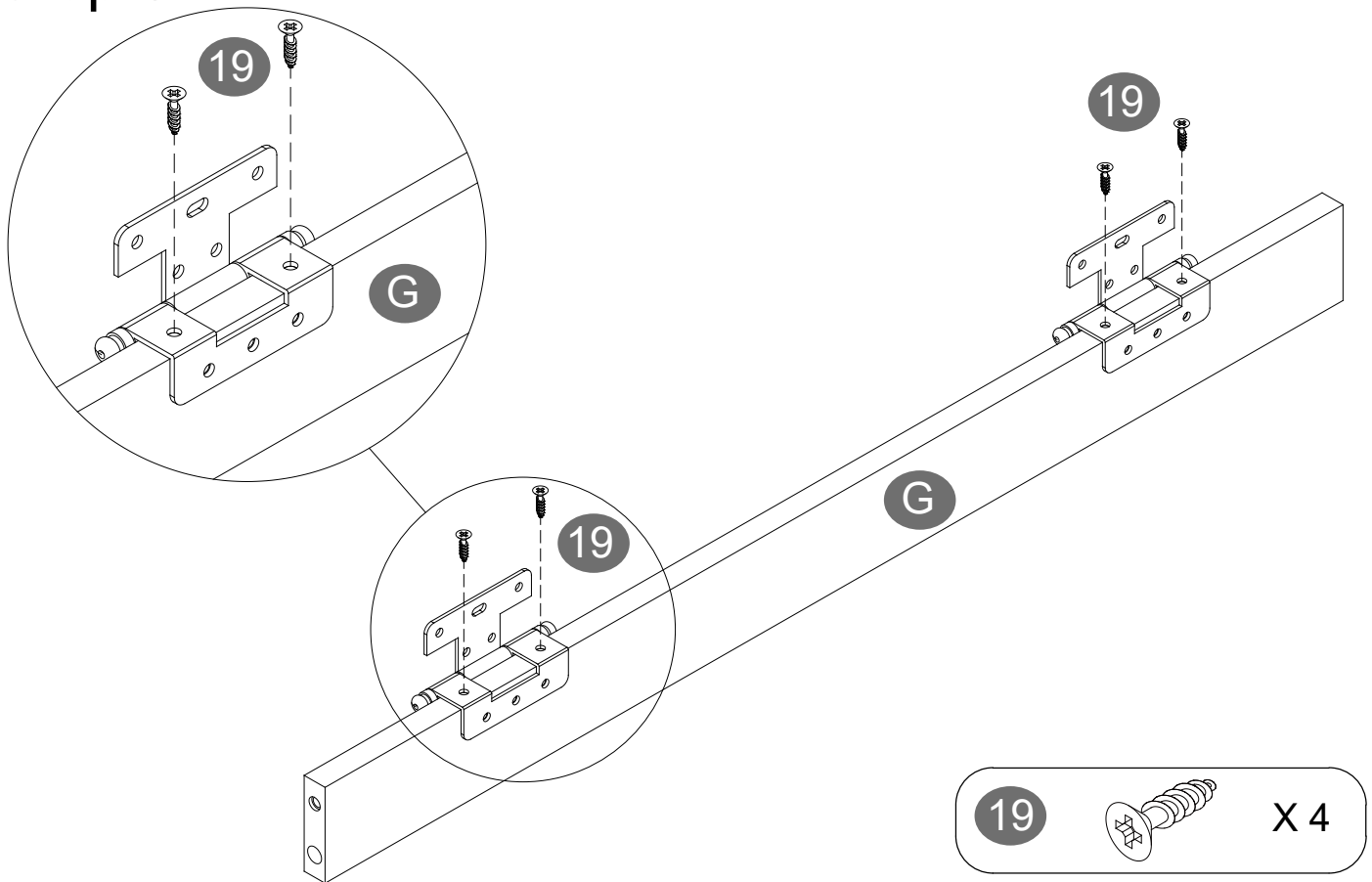
# Step 1



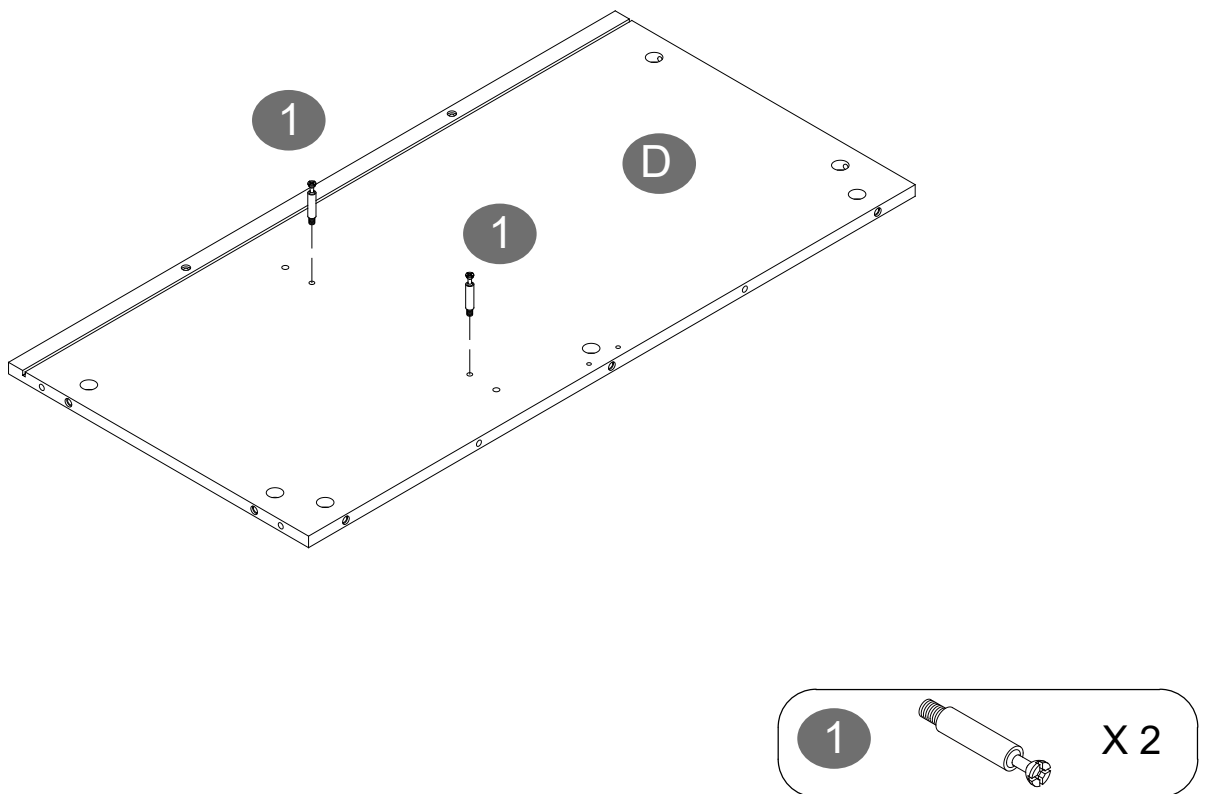
# Step 2



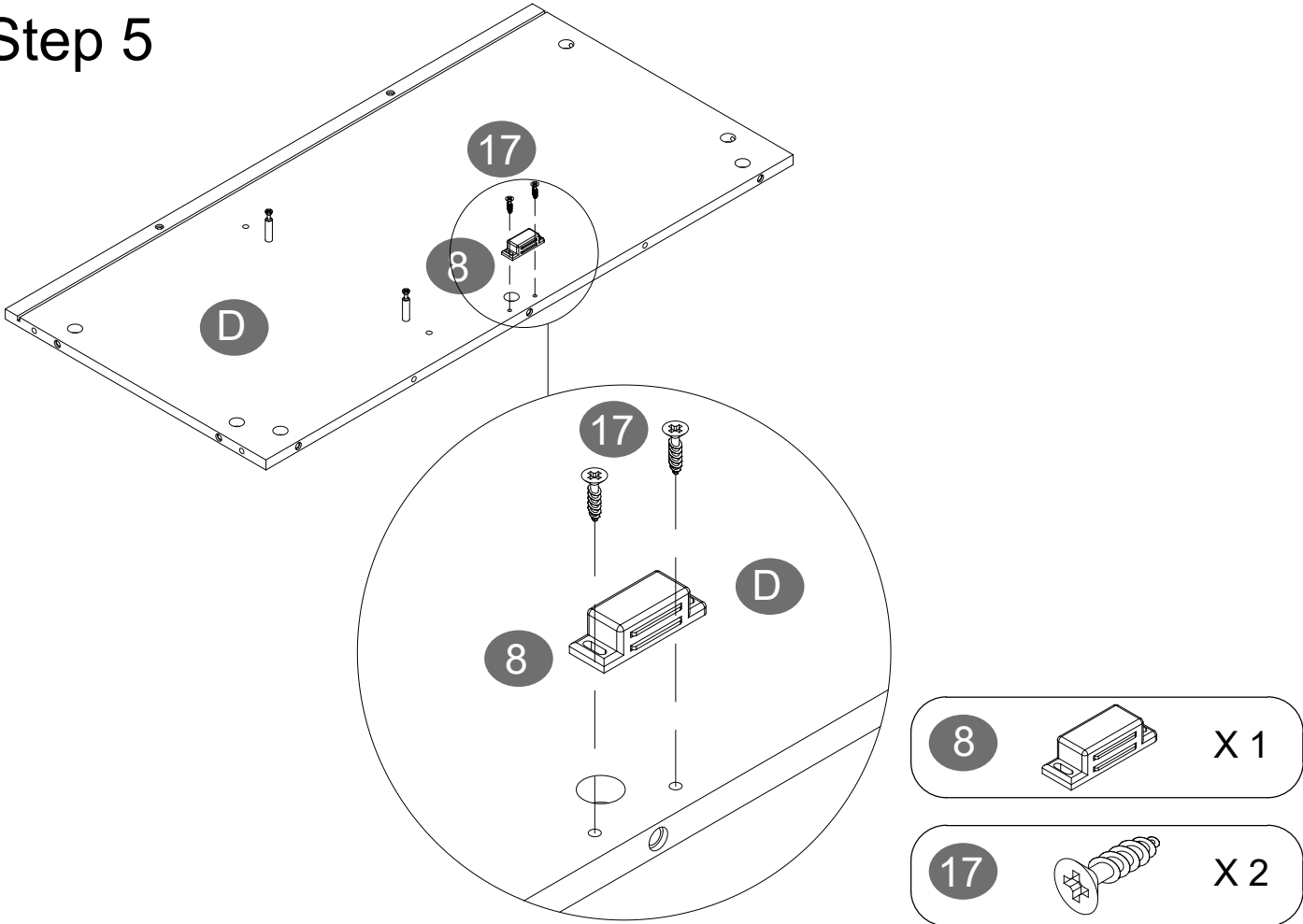
# Step 3



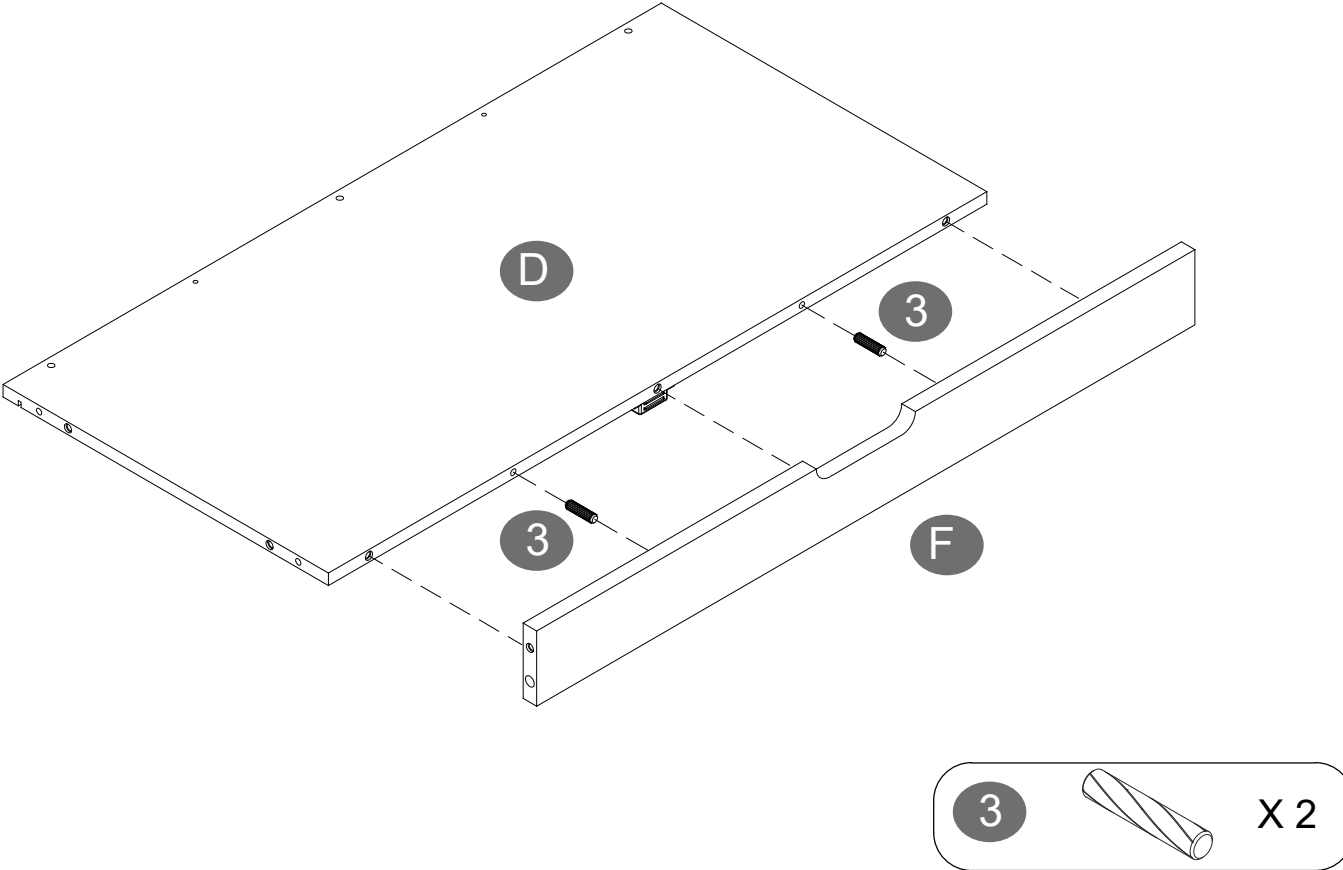
# Step 4



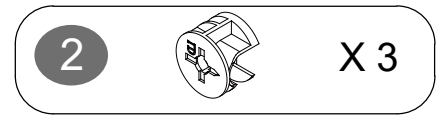
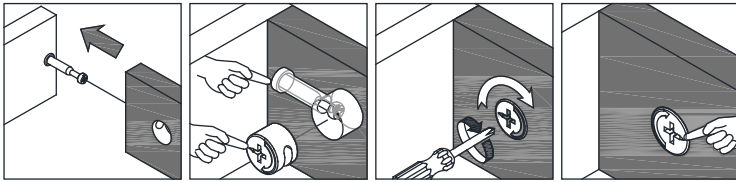
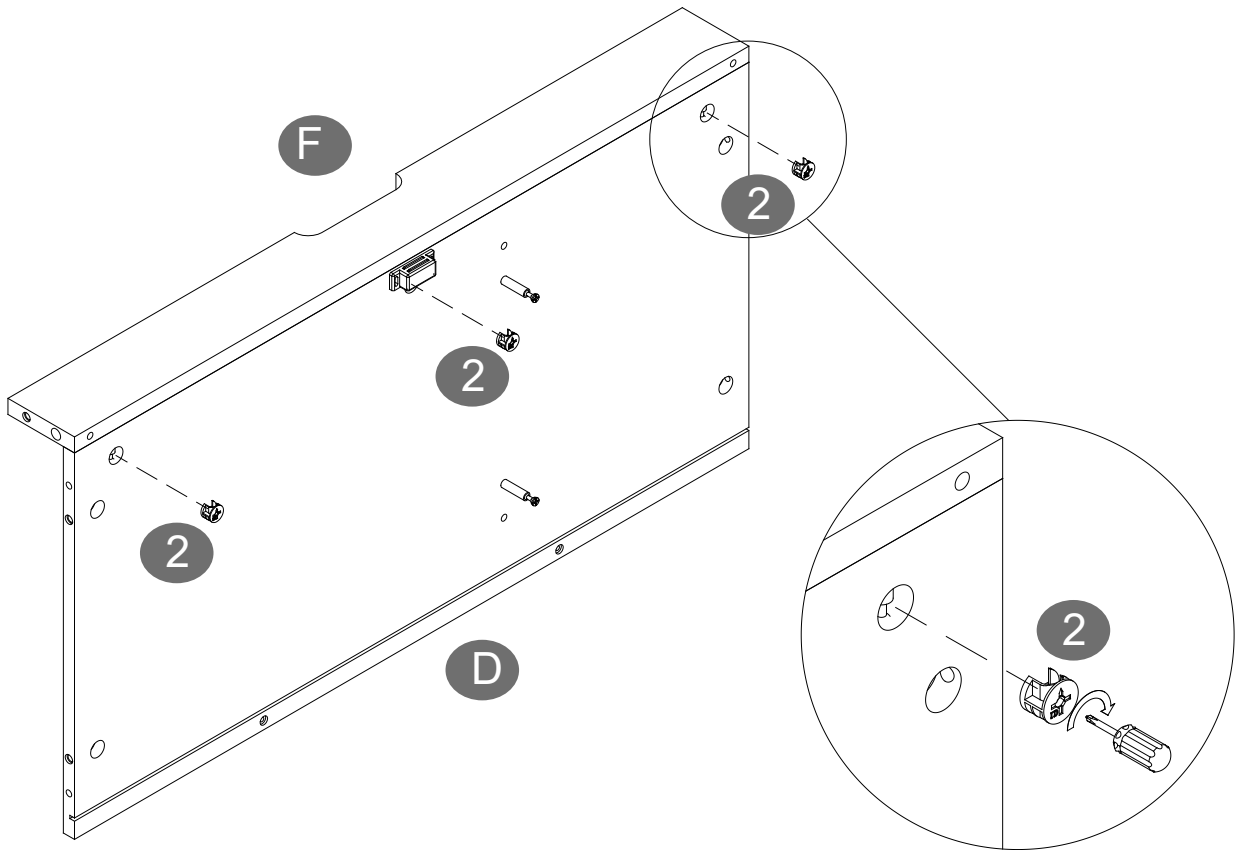
# Step 5



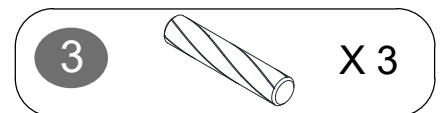
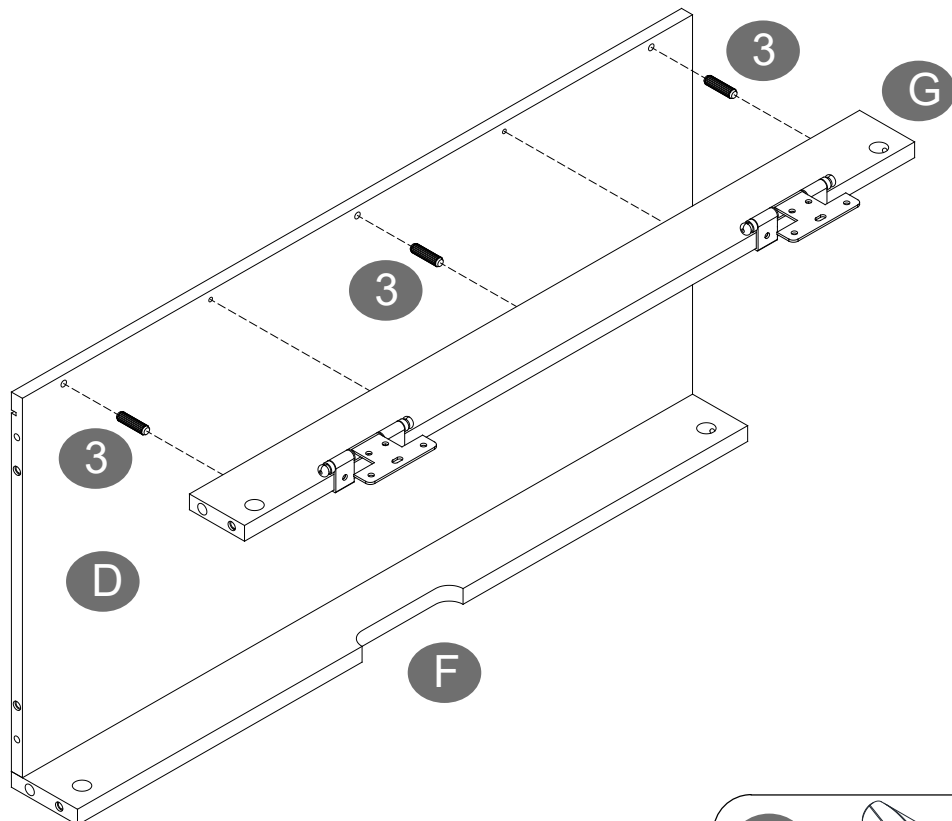
# Step 6



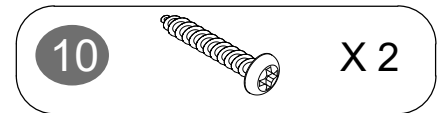
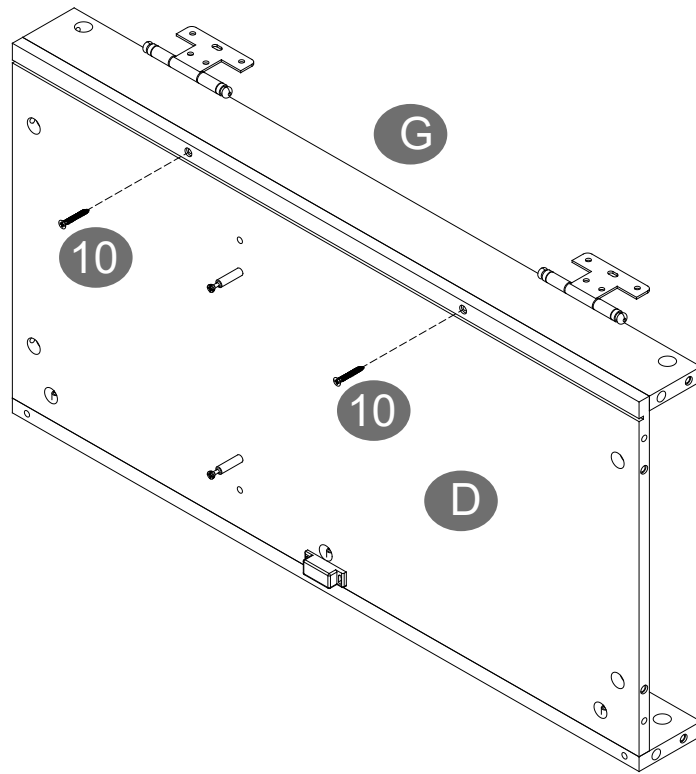
# Step 7



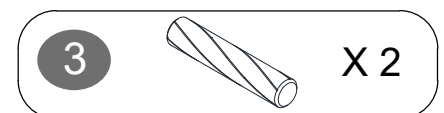
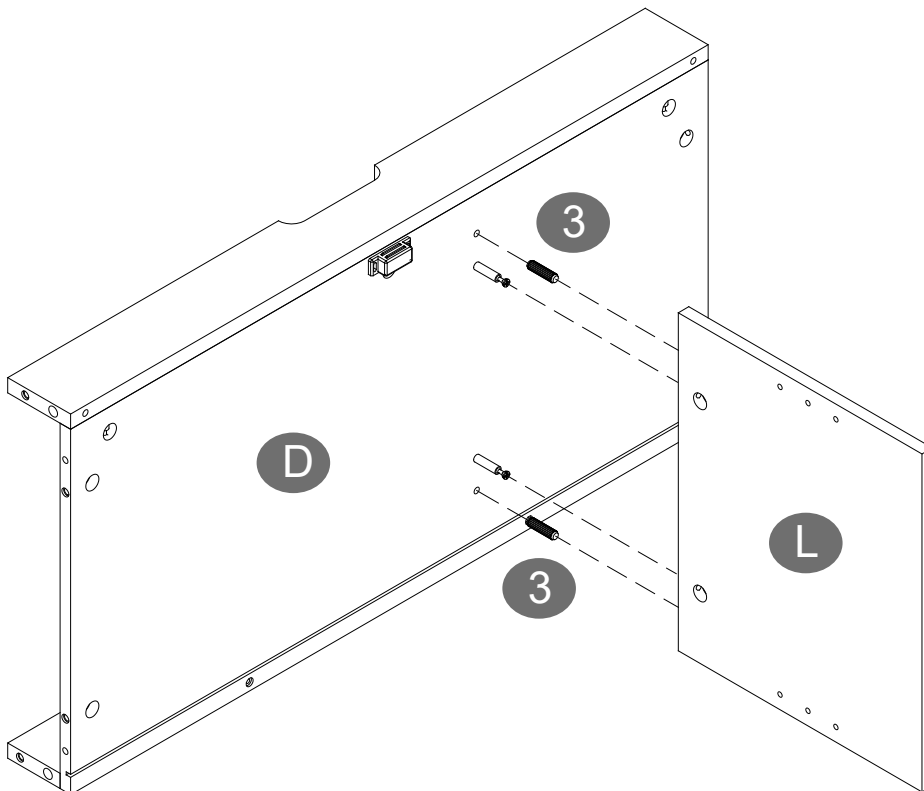
# Step 8



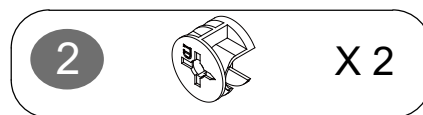
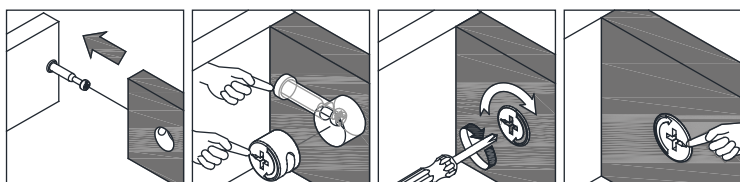
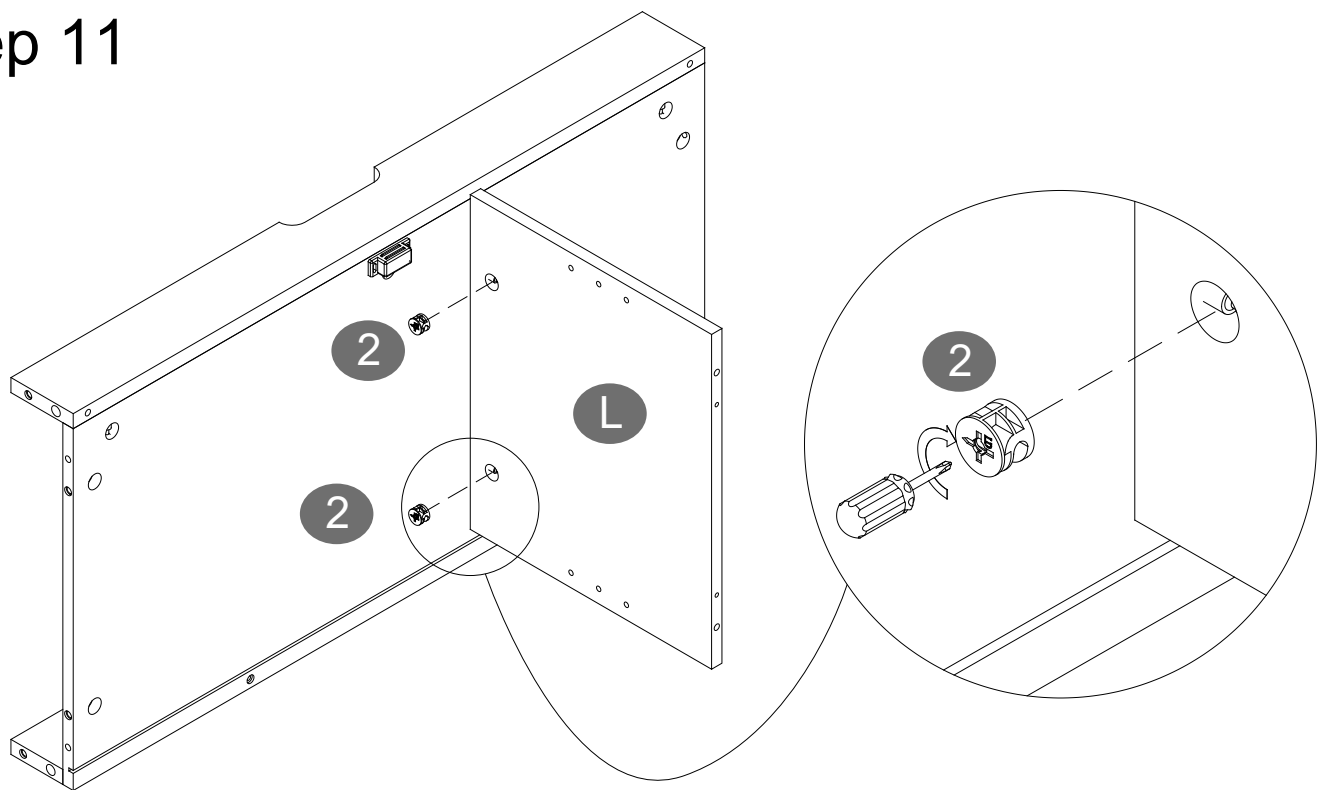
# Step 9



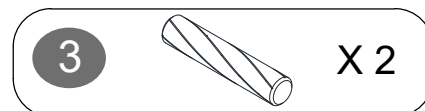
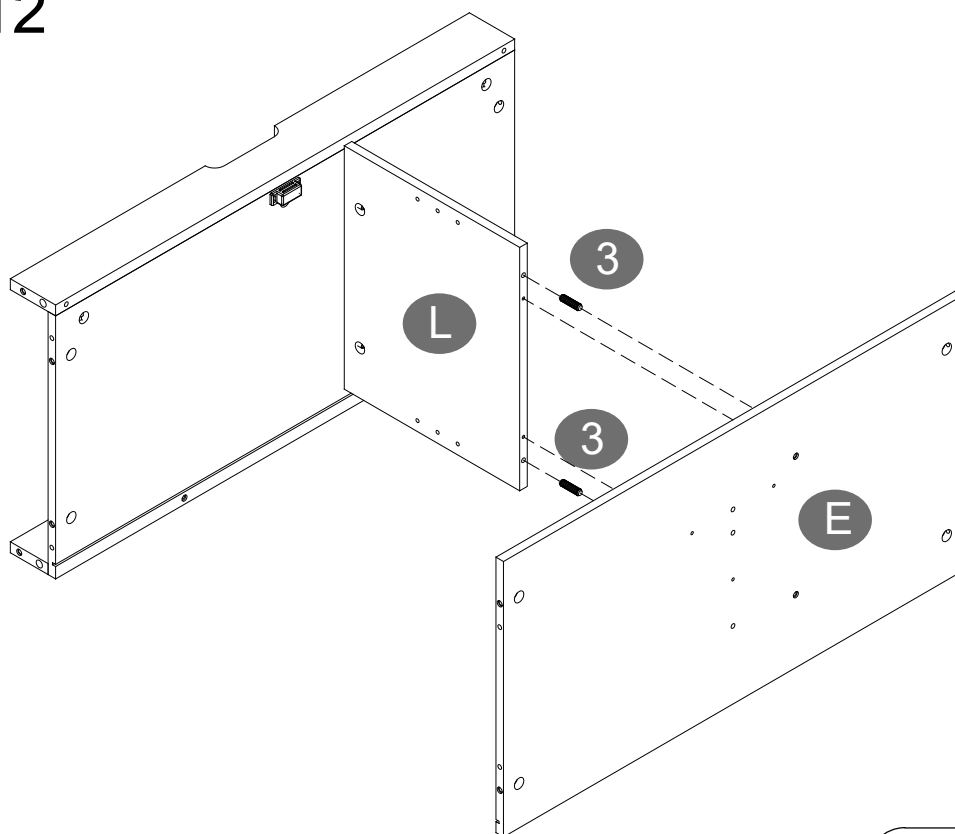
# Step 10



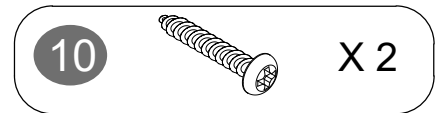
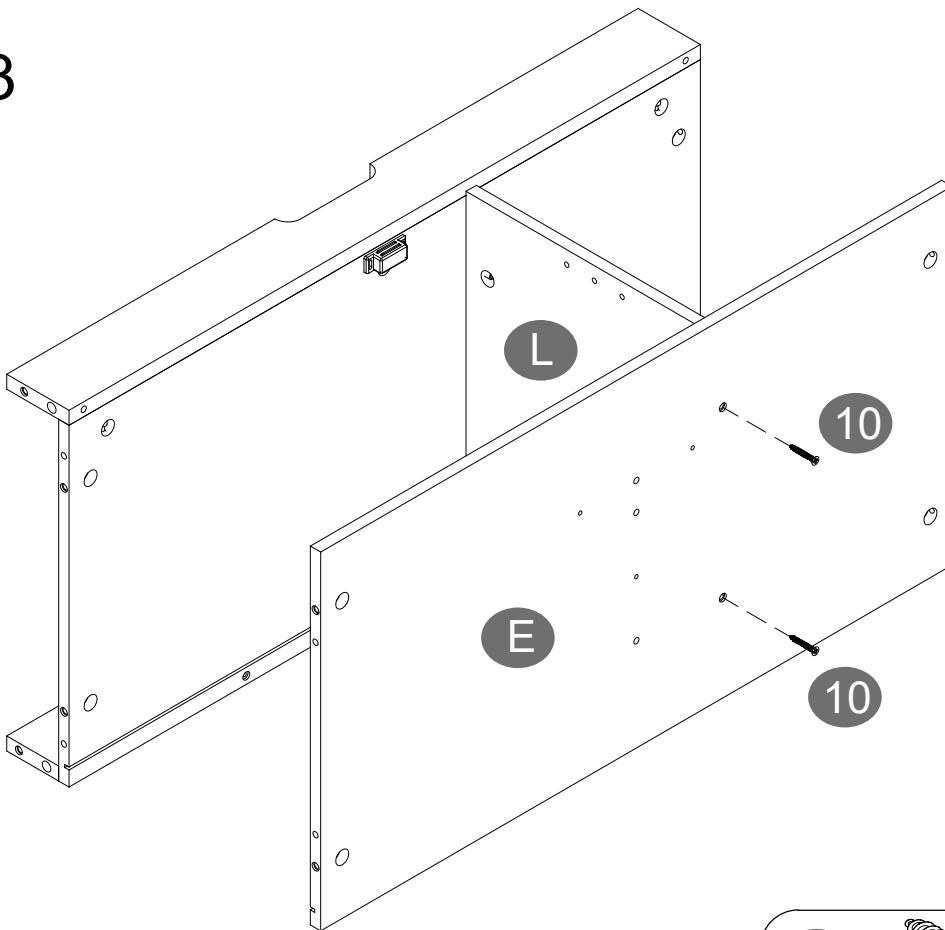
# Step 11



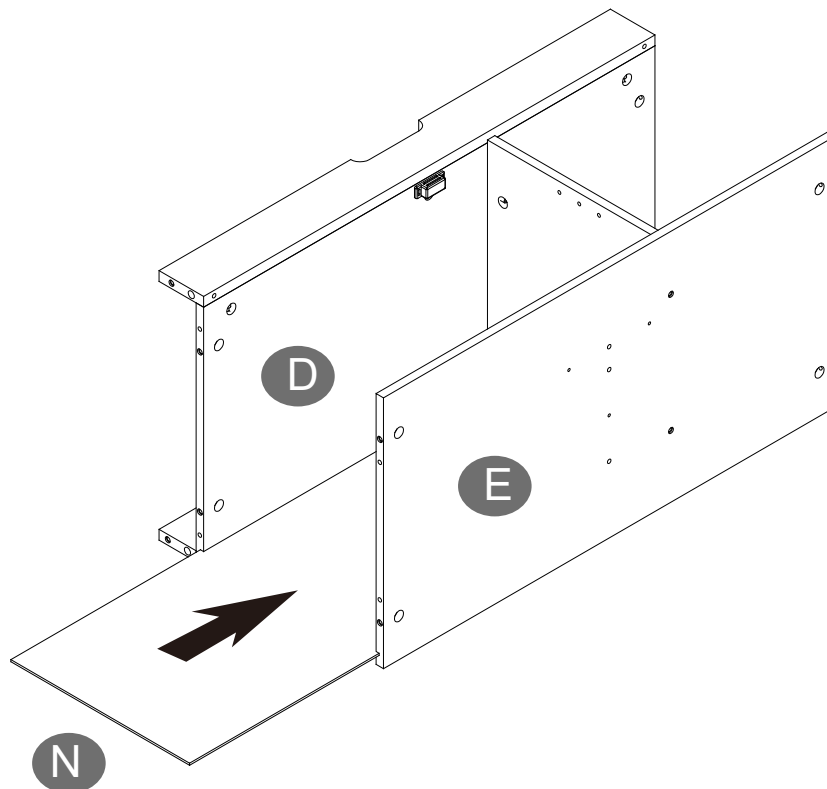
# Step 12



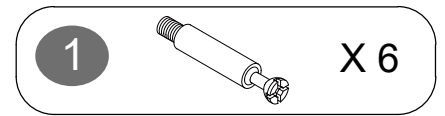
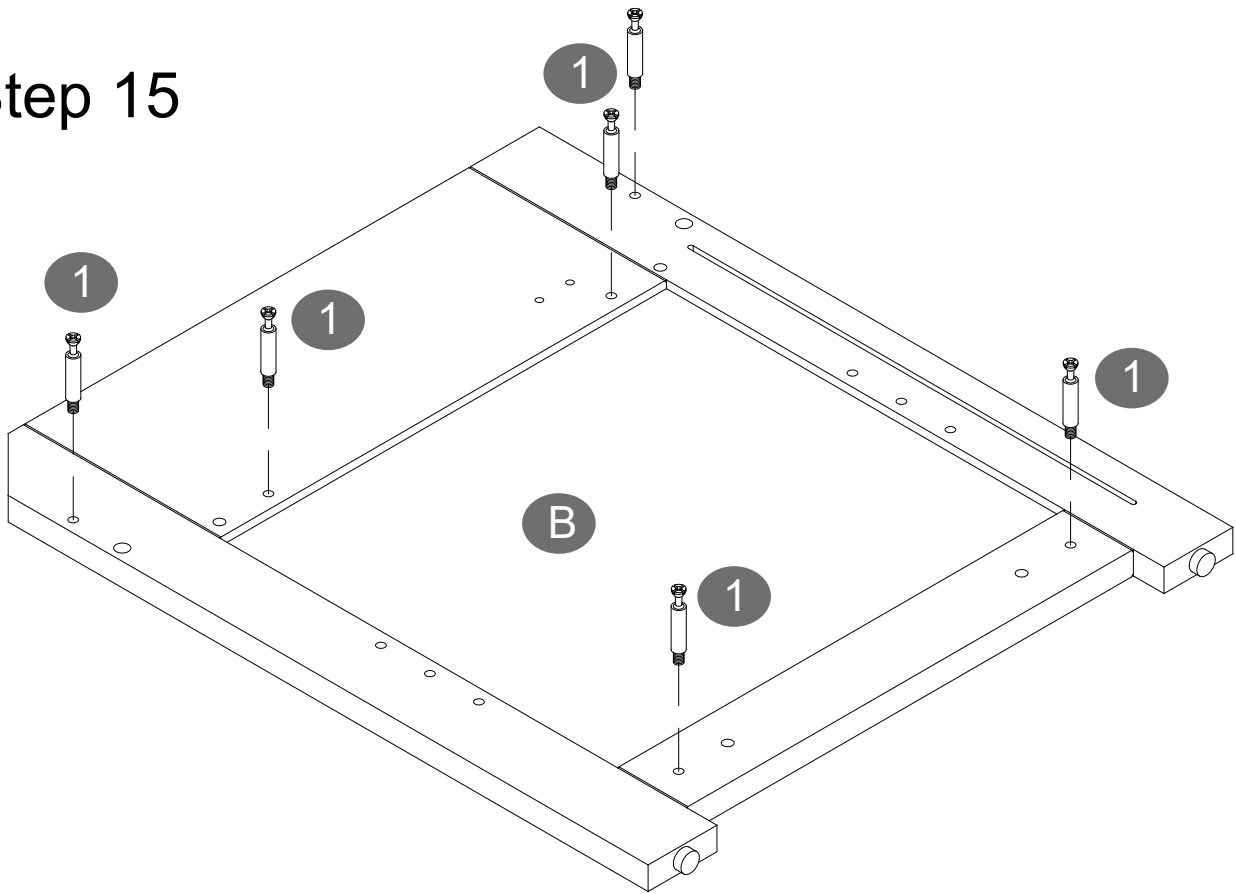
# Step 13



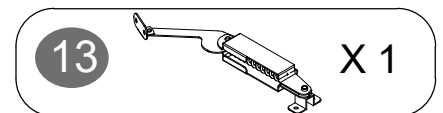
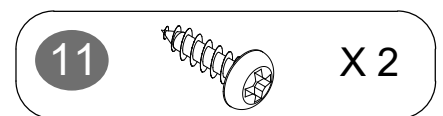
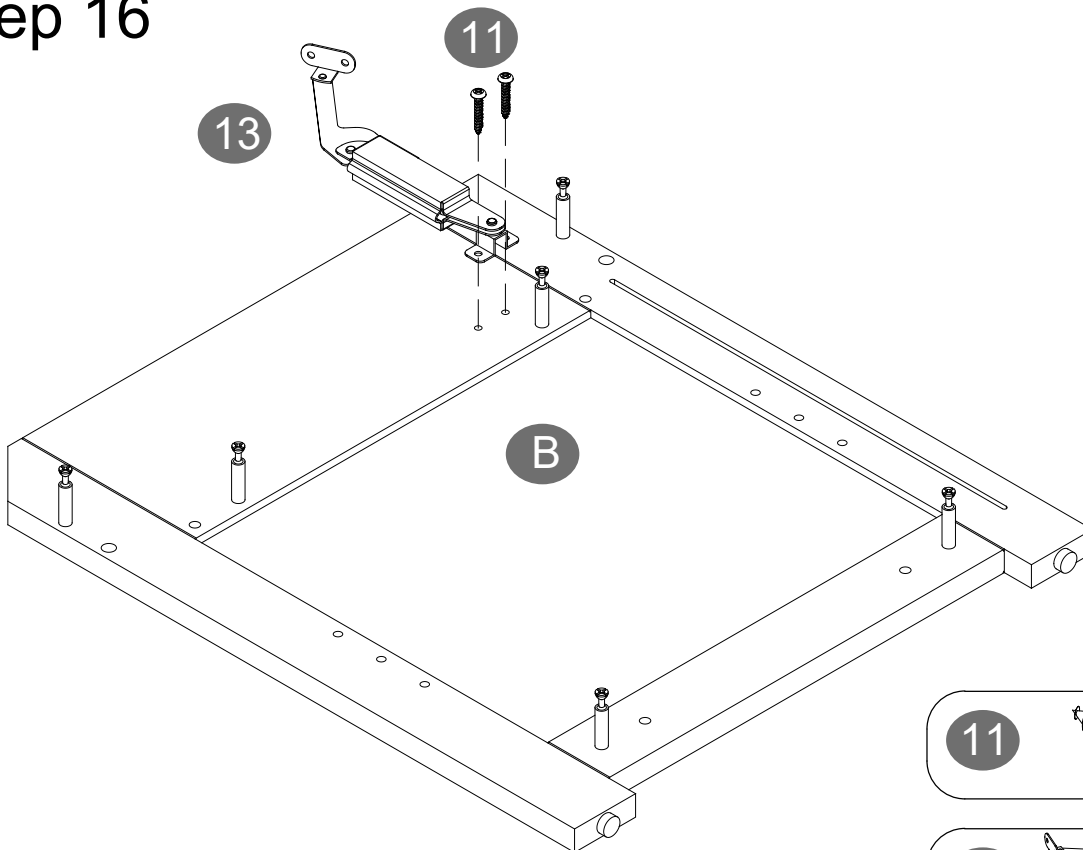
# Step 14



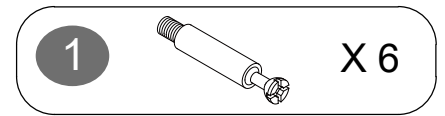
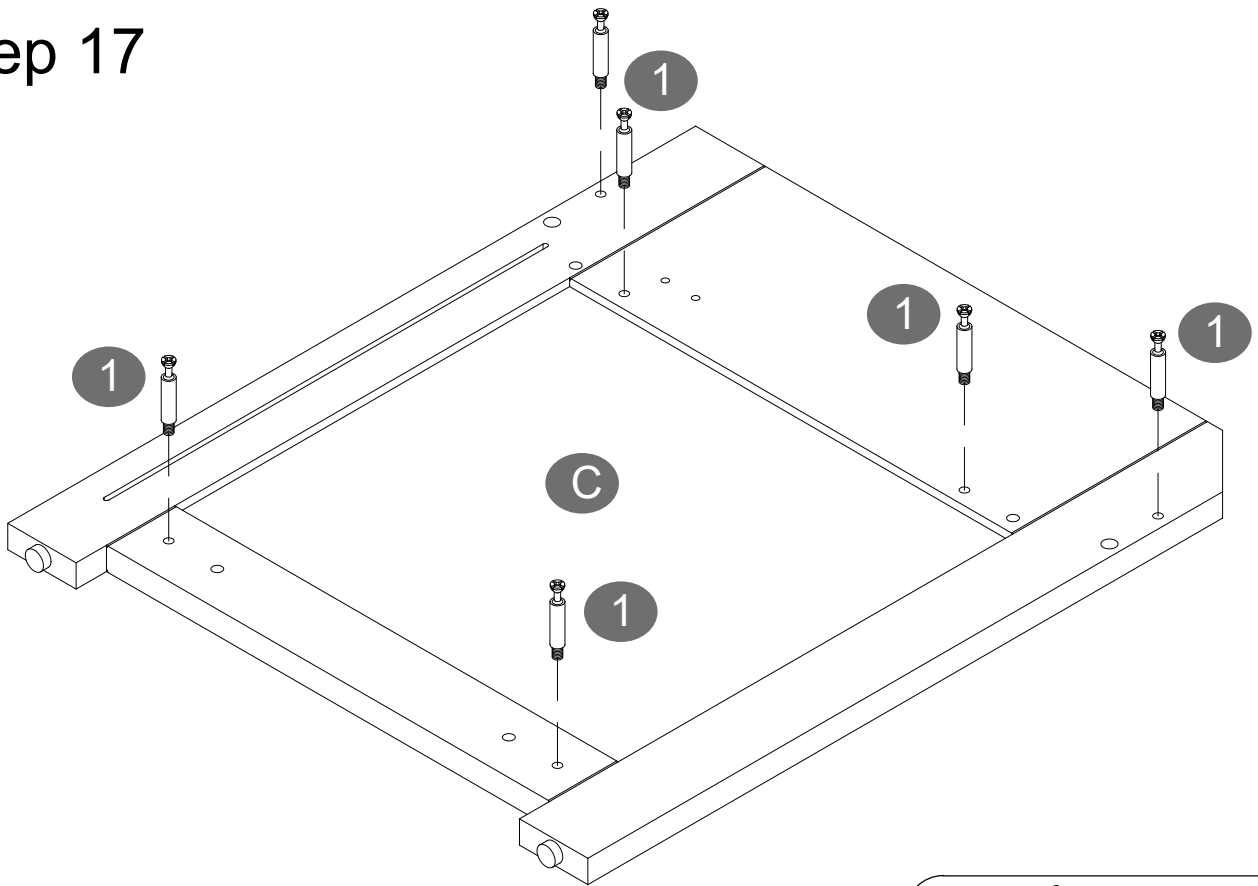
# Step 15



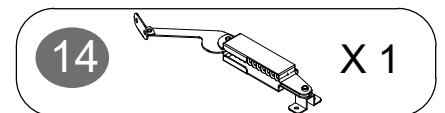
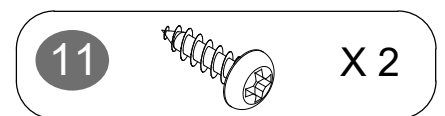
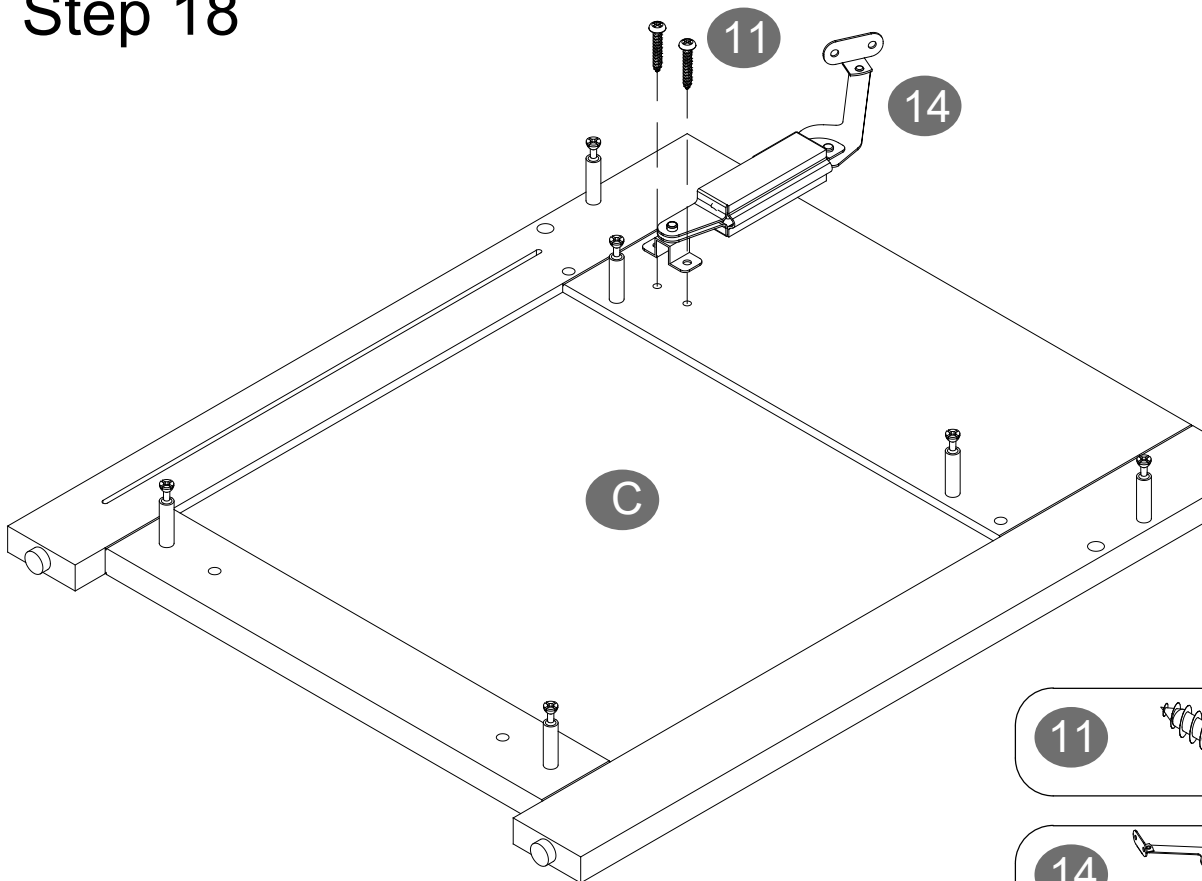
# Step 16



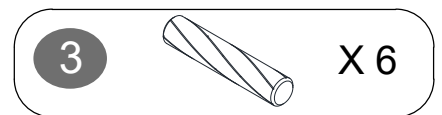
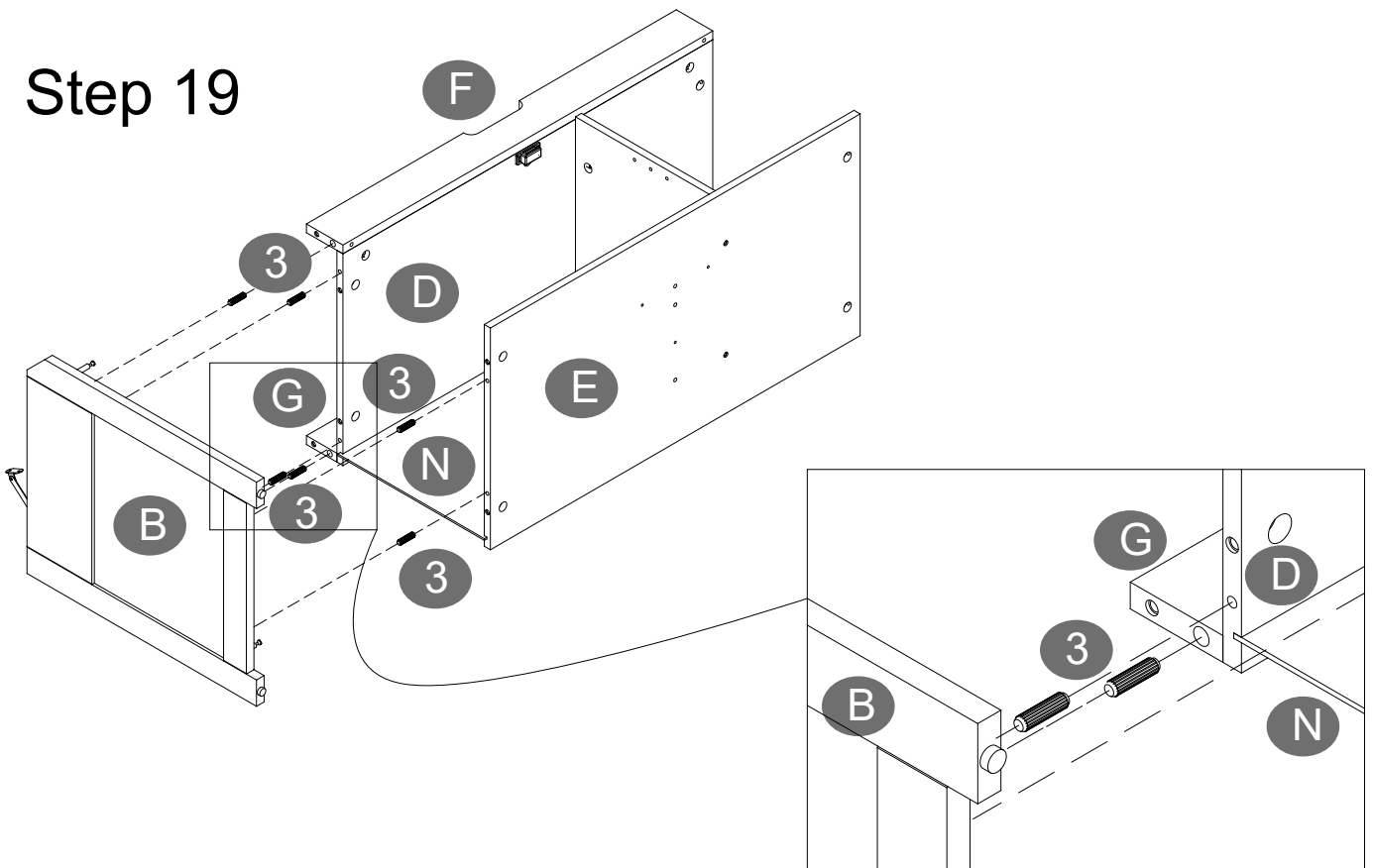
# Step 17



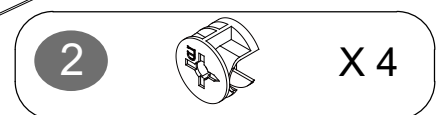
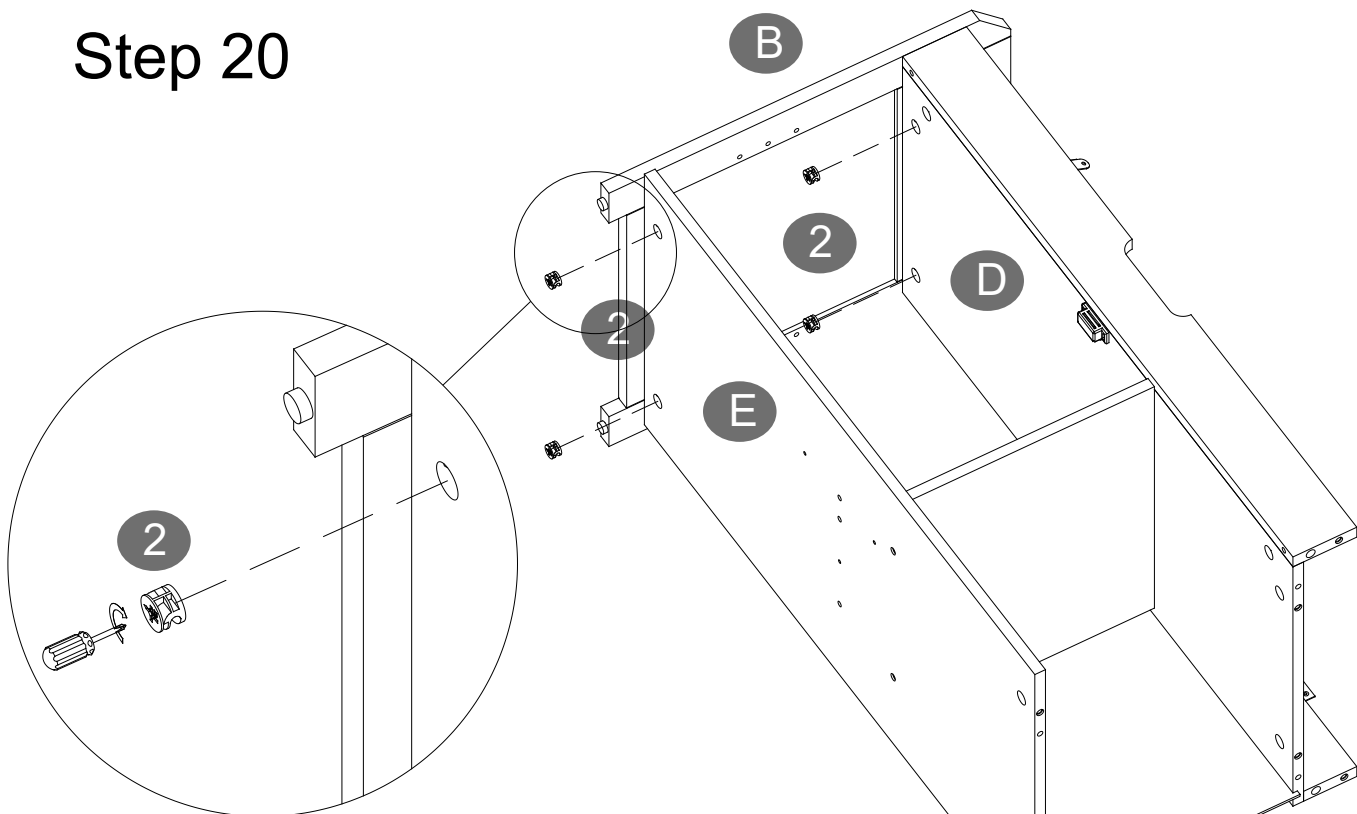
# Step 18



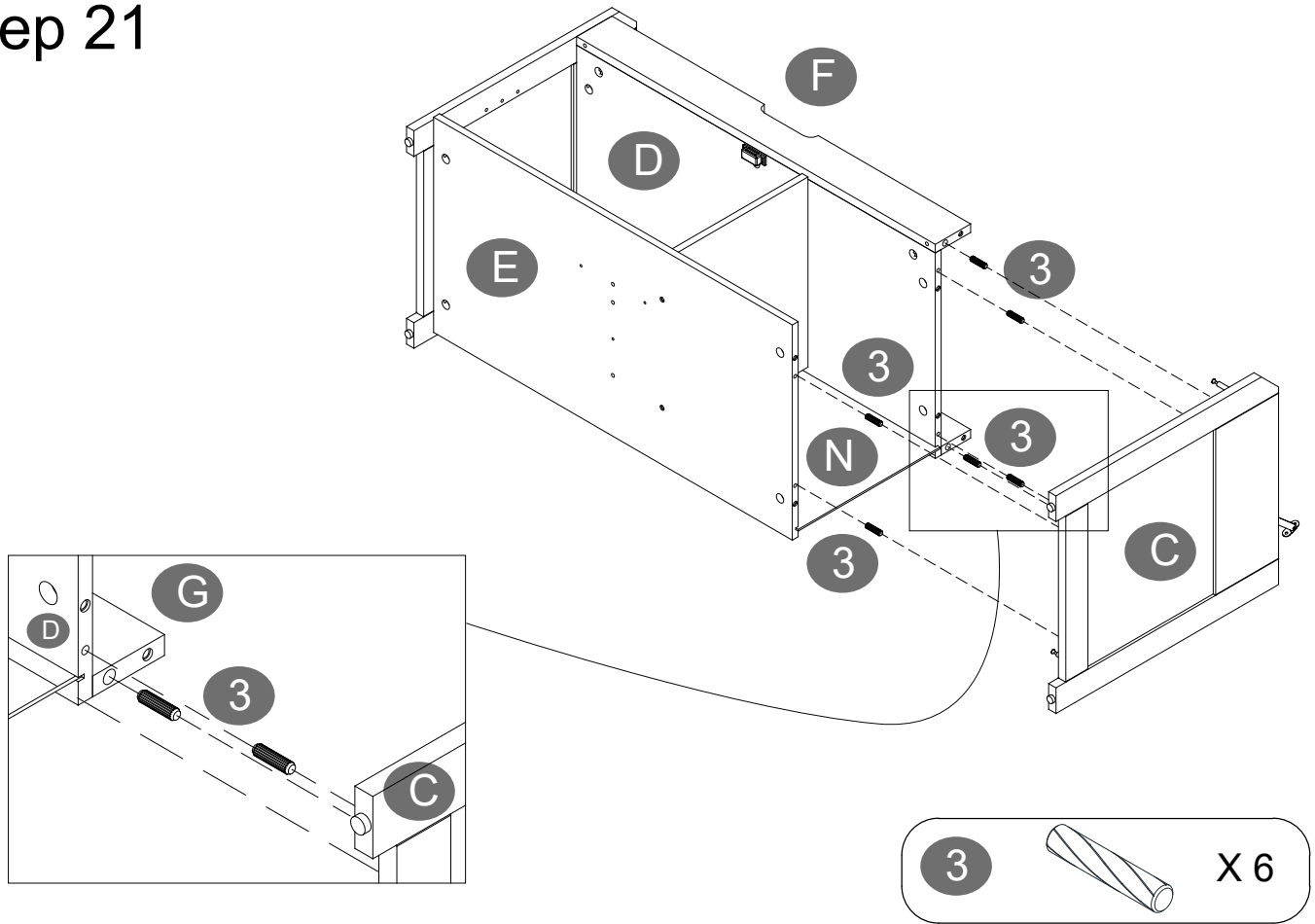
# Step 19



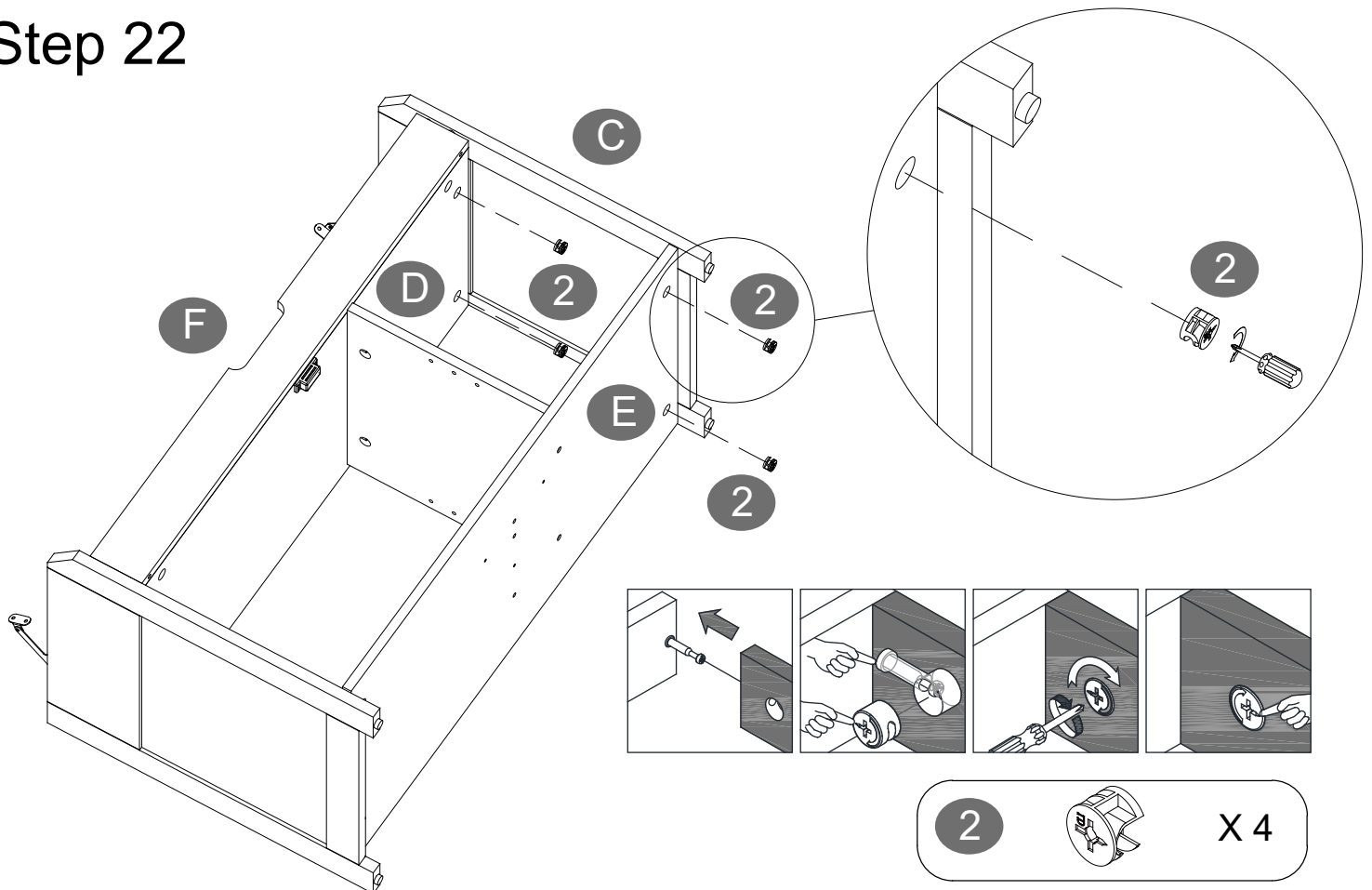
# Step 20



# Step 21

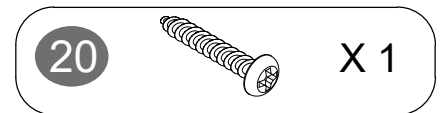
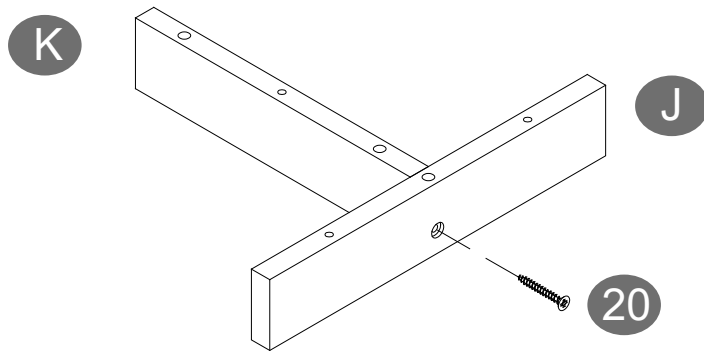


# Step 22

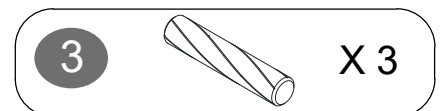
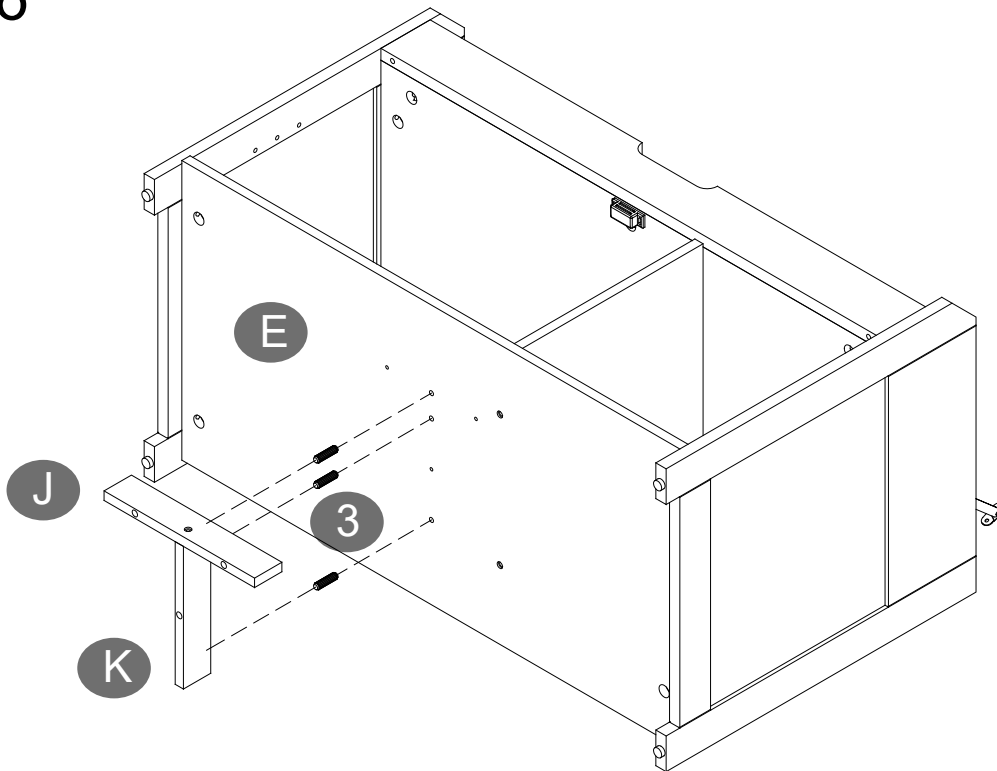




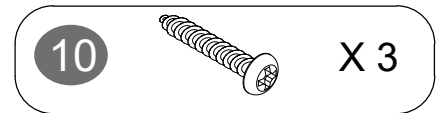
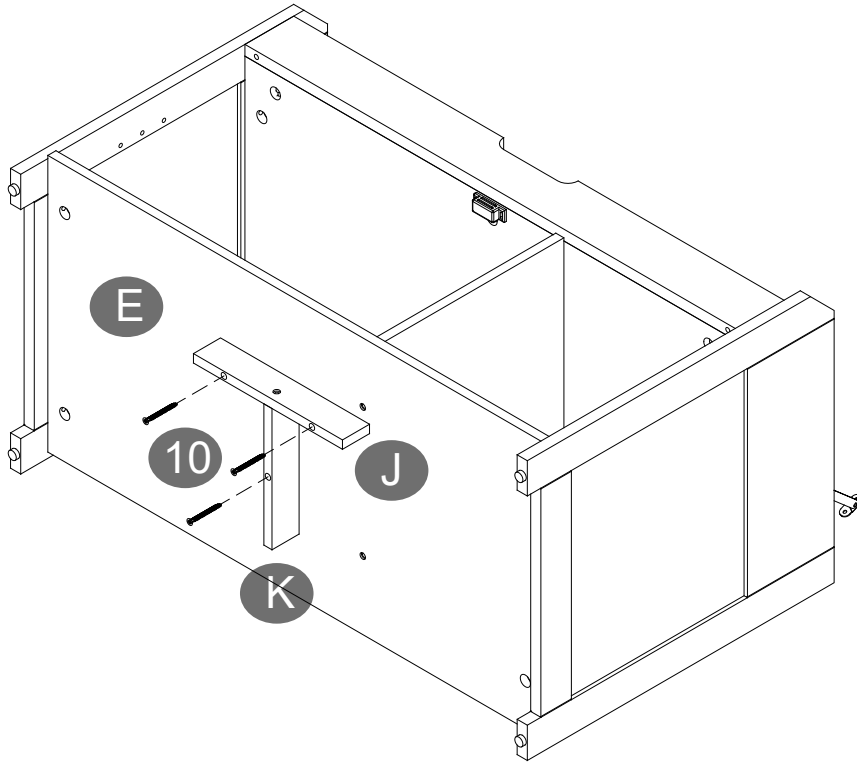
# Step 25



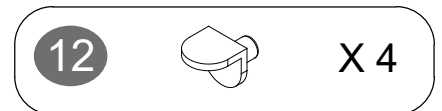
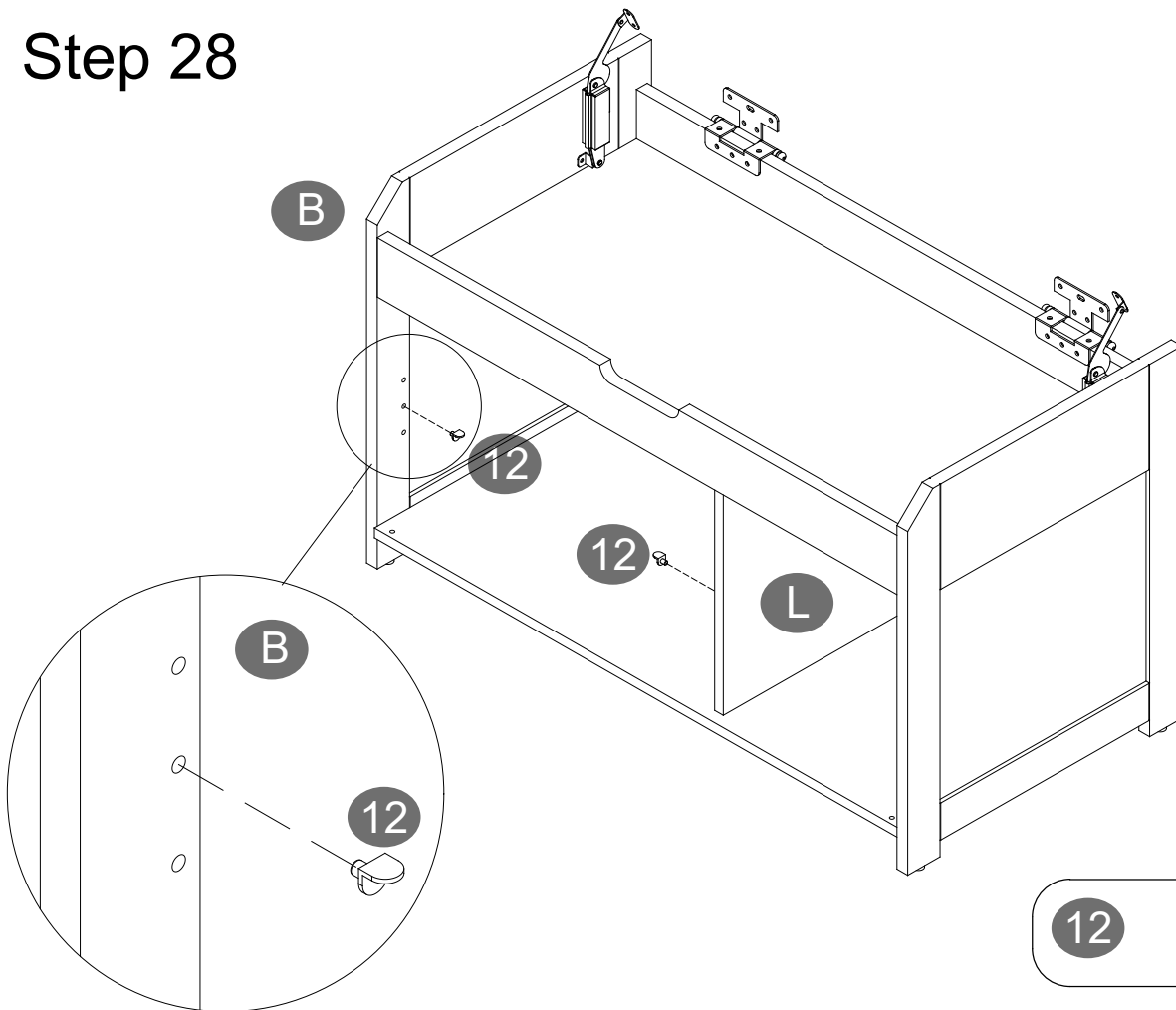
# Step 26



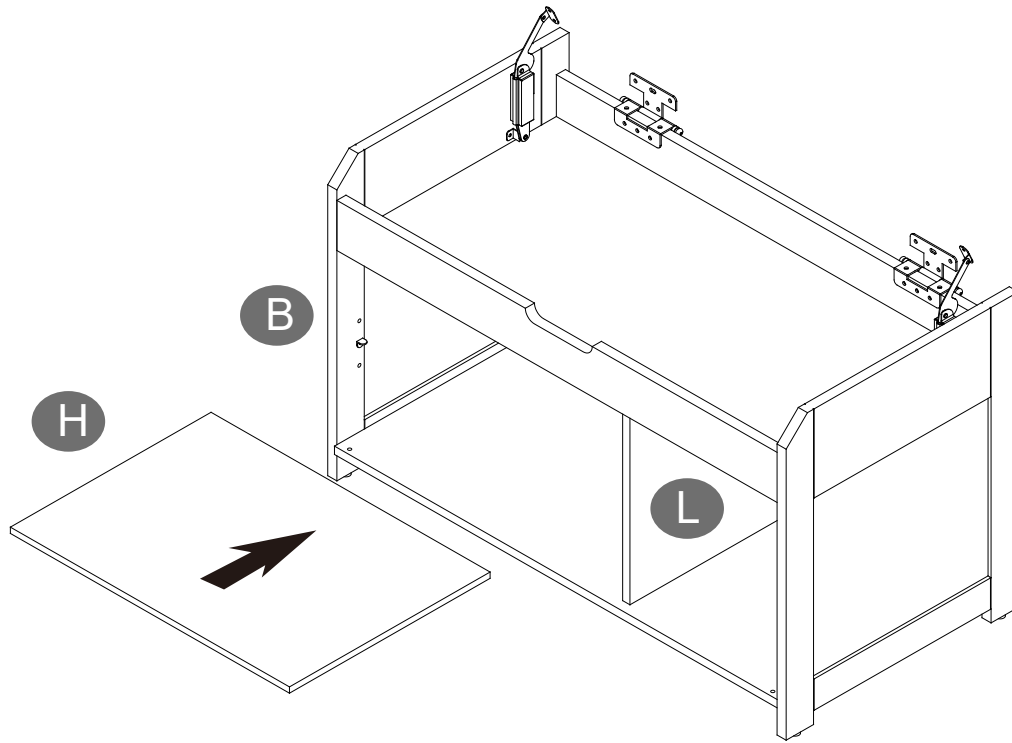
# Step 27



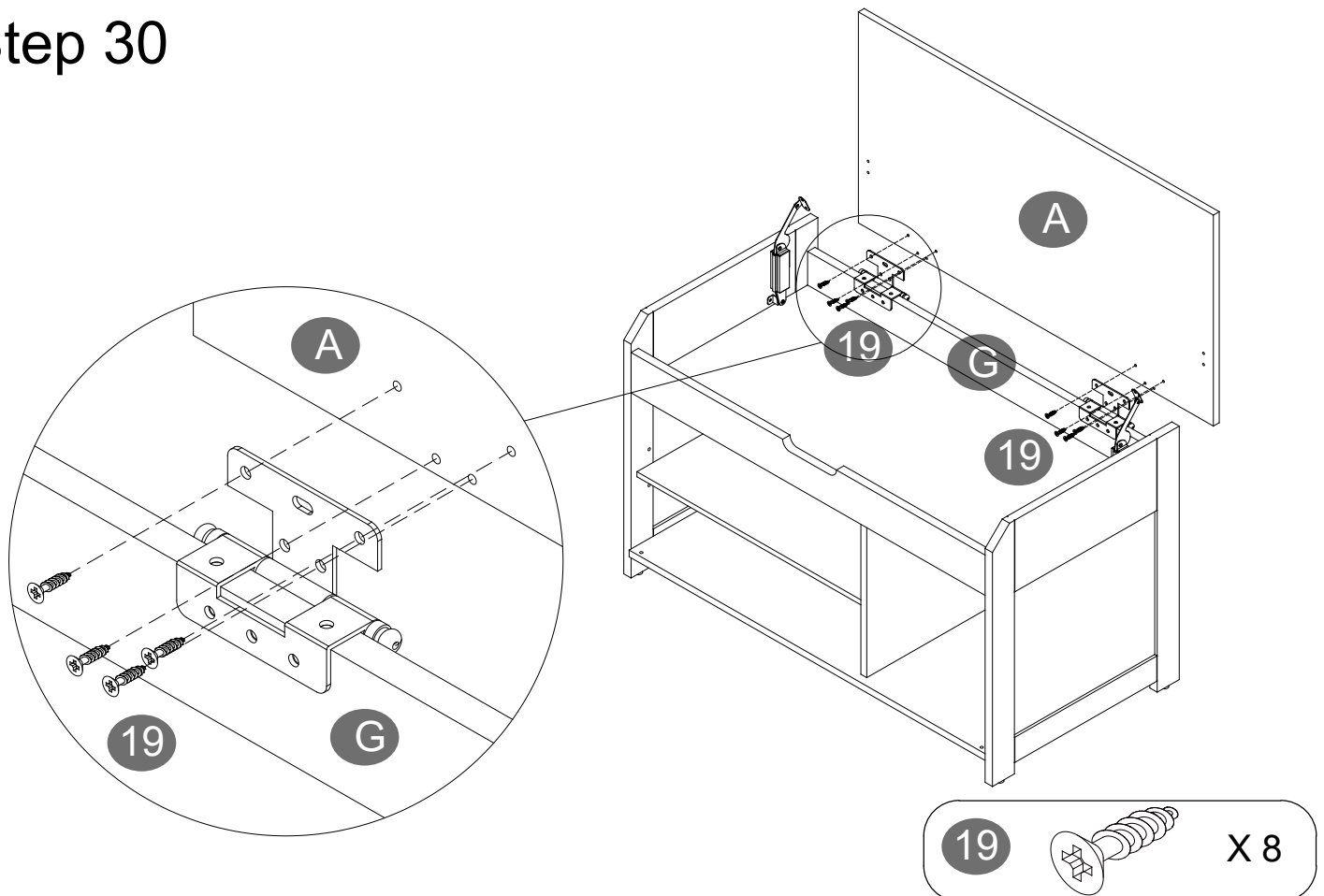
# Step 28



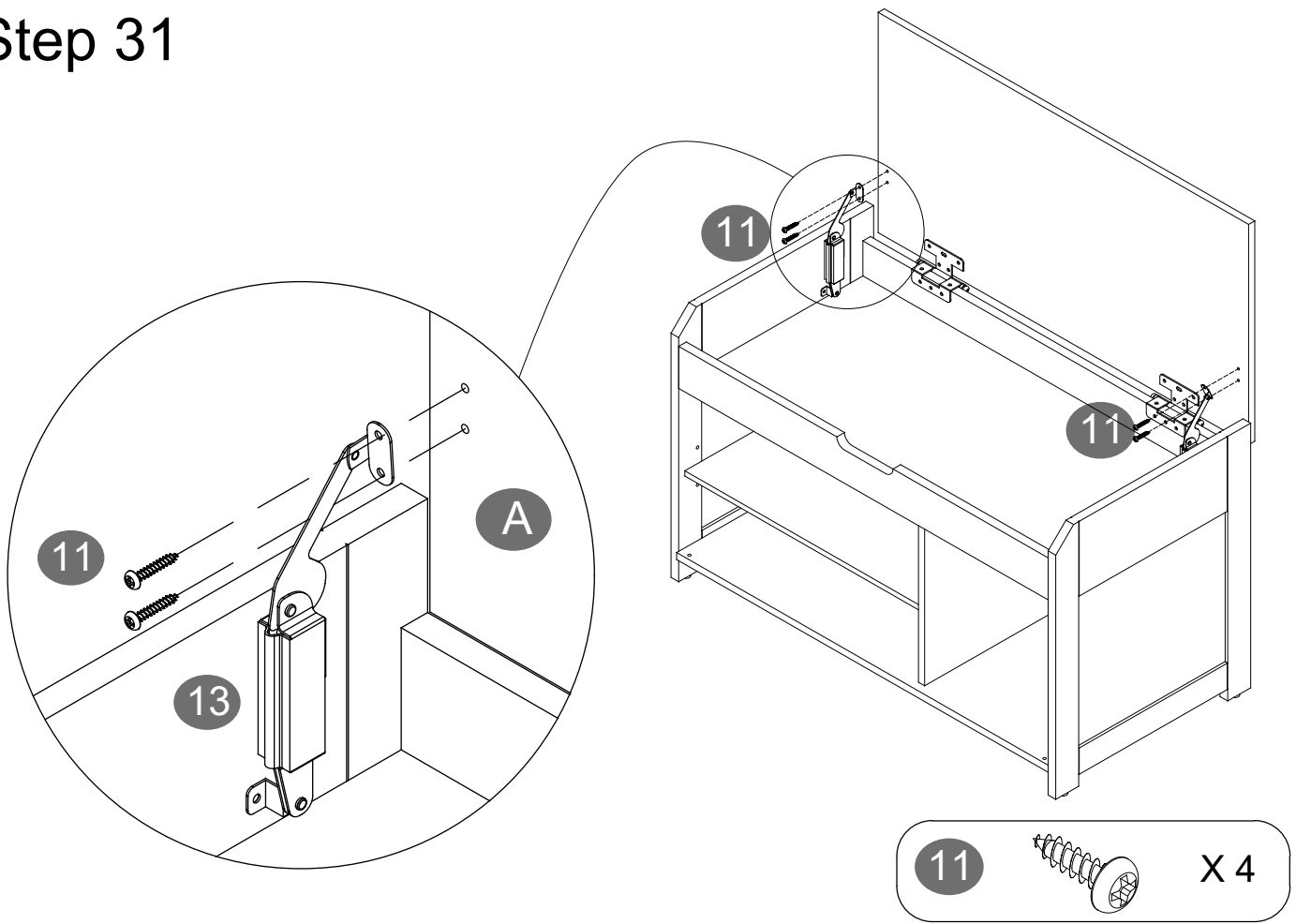
# Step 29



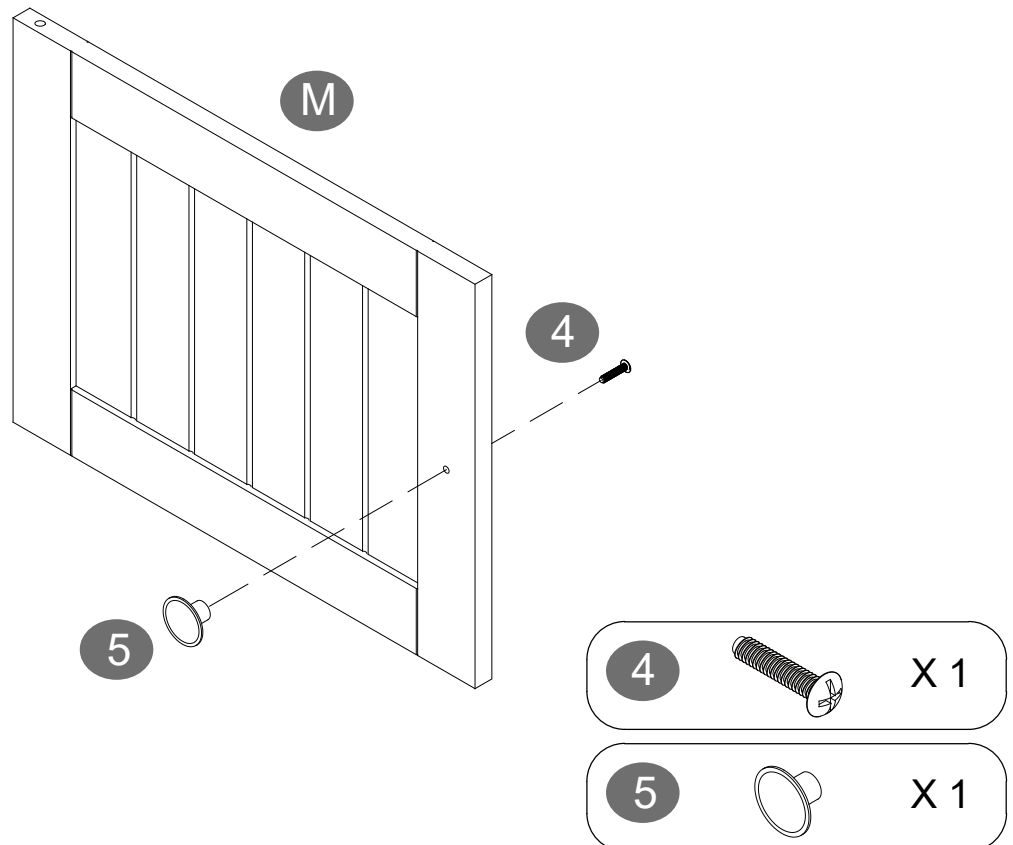
# Step 30



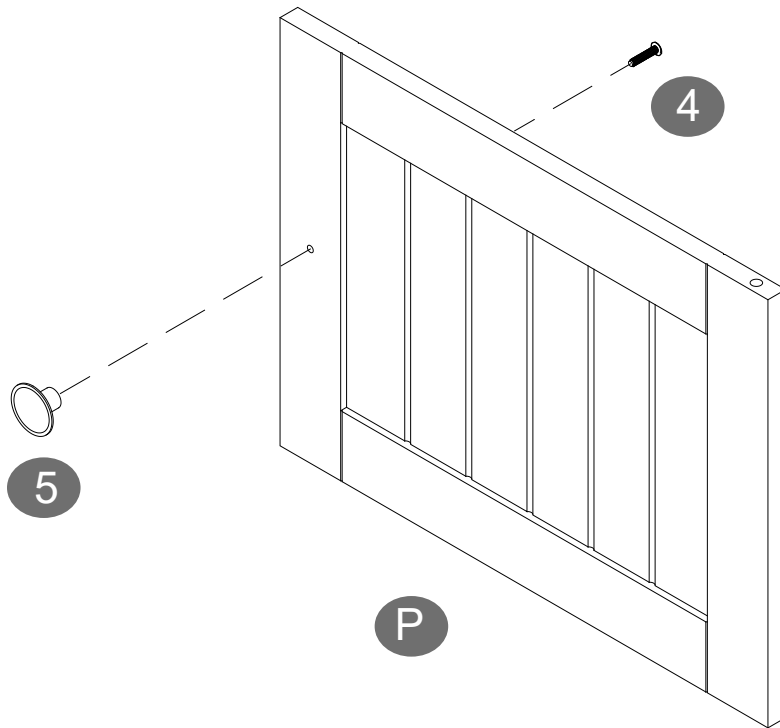
# Step 31

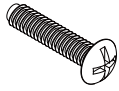



# Step 32

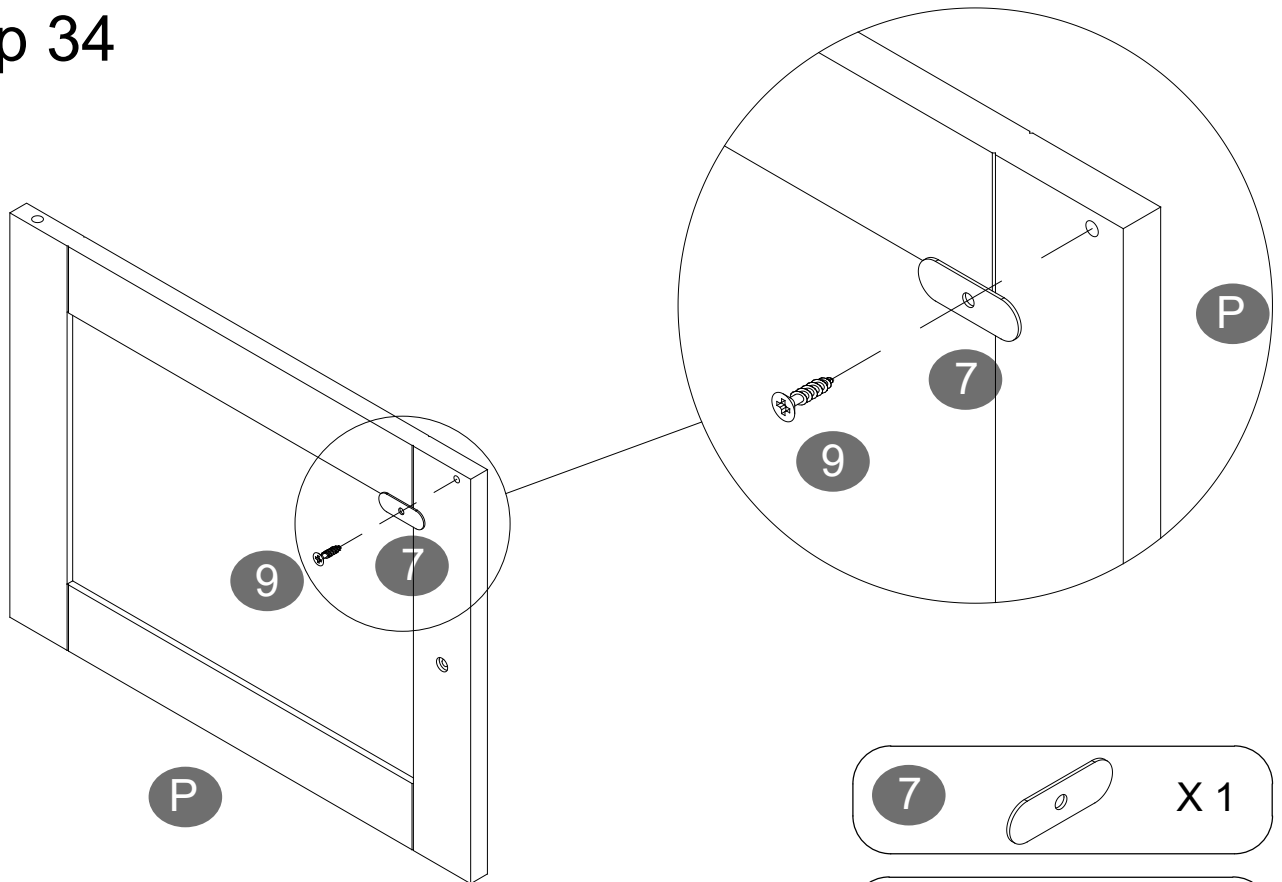


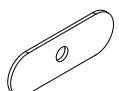
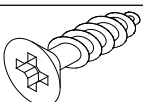
# Step 33



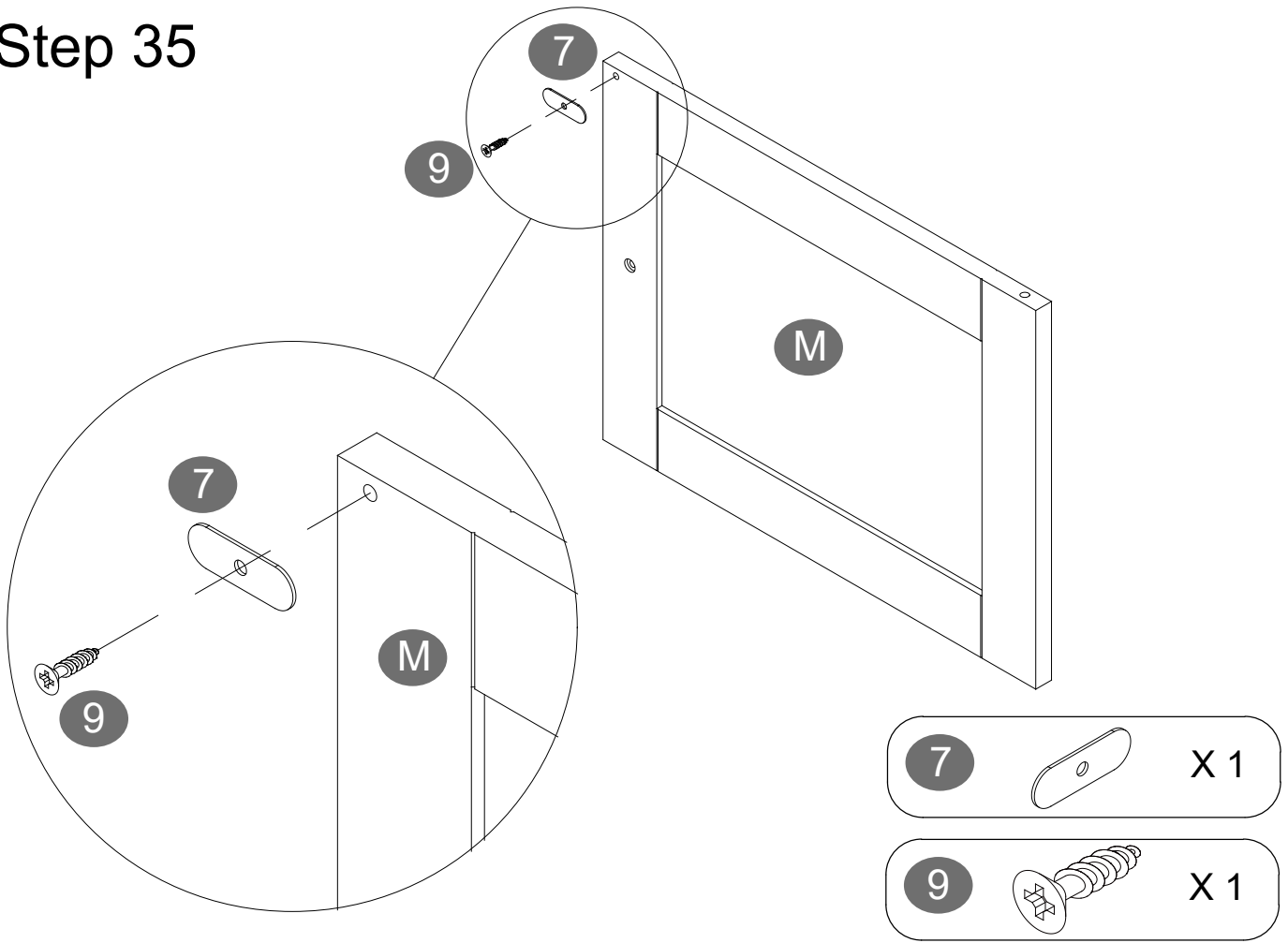
- 4  X 1
- 5  X 1

# Step 34

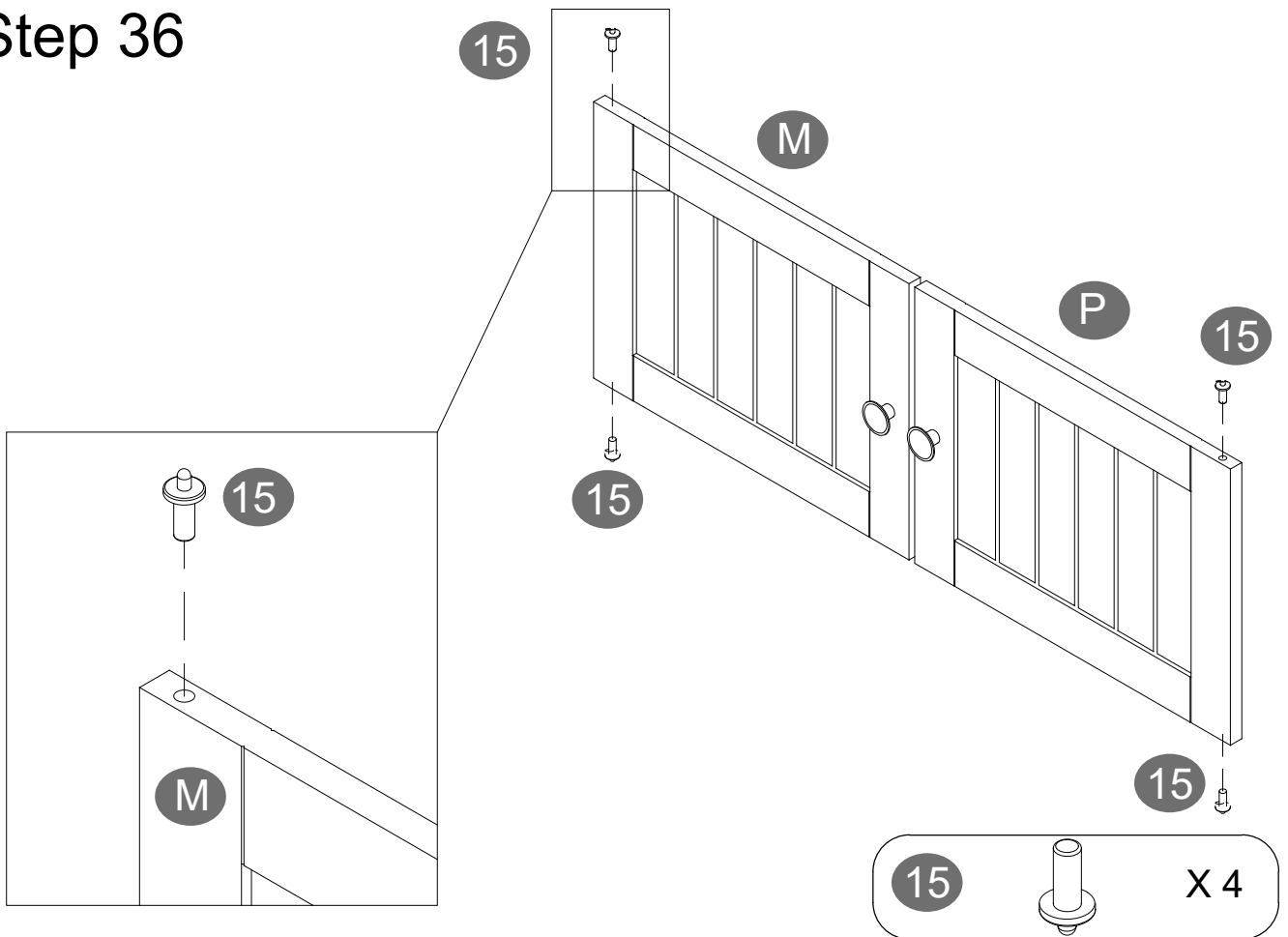


- 7  X 1
- 9  X 1

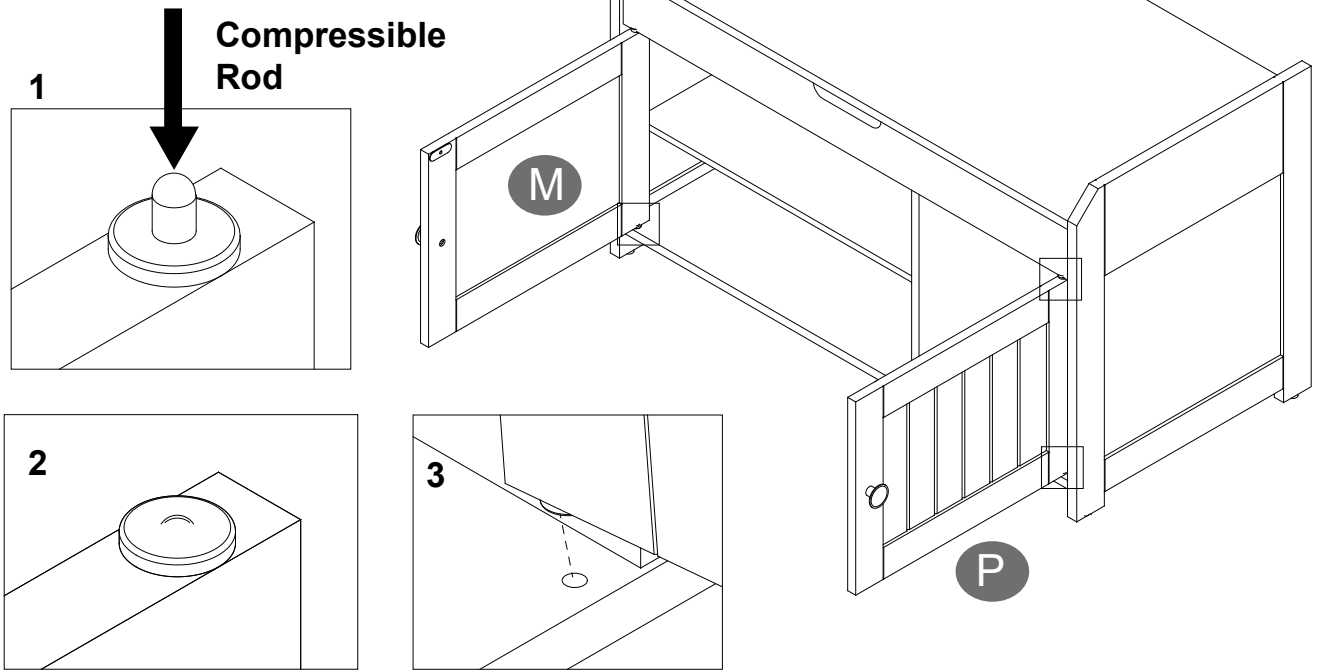
# Step 35



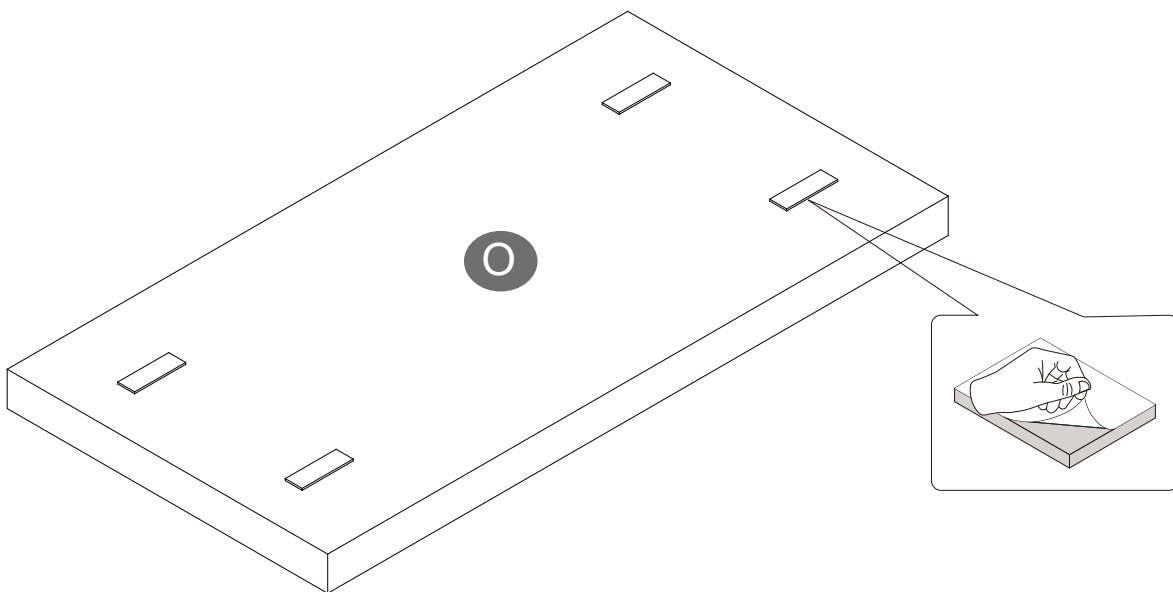
# Step 36



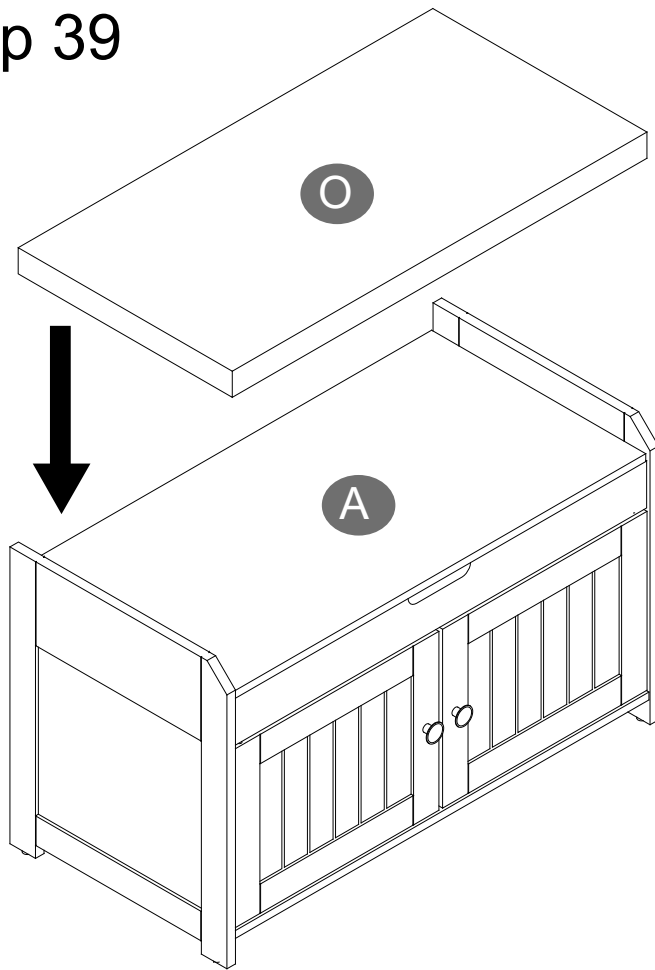
# Step 37



# Step 38



## Step 39



Kind reminder: If the cushion covering had minor wrinkles, please use the method of treating wrinkled clothing to make the cushion smooth.

## Step 40

