



## U-SHAPED LOG RACK LR33



If you need assistance, please call 1-877-ENCLUME  
Enclume Design Products  
24 Colwell Street, Port Hadlock, WA 98339

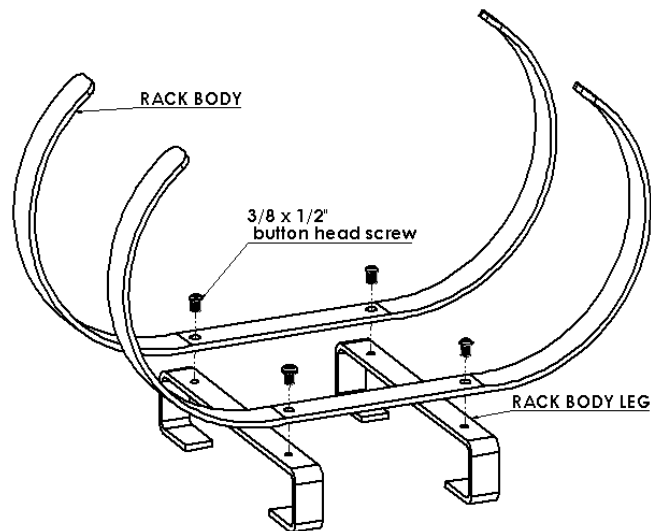
Enclosed you will find everything needed for the assembly and use of your log rack. Two people make assembly and installation easier. The parts and hardware included are:

### Hardware included:

4 – 3/8" x 1/2" Button head screws  
1 – 7/32" Allen wrench

### Components included:

2 – Upright body pieces  
2 – Legs



## ASSEMBLY INSTRUCTIONS

- 1) Place the two upright rack body pieces on top of and perpendicular to the legs. Using the Allen wrench and the four 3/8" x 1/2" button head screws, attach the legs and the upright body pieces to the legs. The screws should be inserted from the top down toward the floor. Tighten the screws only finger tight while assembling.
- 2) Square up your rack and tighten all the screws firmly.
- 3) Finished. Enjoy your classy new log rack!

**WARNING:** It is important that your log rack is assembled correctly. If the unit is assembled or used incorrectly, it could become unstable and collapse, possibly causing injury.

**LIMITED WARRANTY:** This product is warranted to be free of material defects, other than that from normal use, for a period of five years from the date of purchase. Customer's exclusive remedy shall be the repair or replacement of the defective product and shall be subject to the following conditions: (1) notice of any defect is received by Enclume within the warranty period and (2) customer returns the defective product to Enclume Design Products, 24 Colwell St., Port Hadlock, WA 98339, postage prepaid within 20 days following a return authorization number (which may be obtained by telephoning the number at the top of this instructions) being provided to the customer by Enclume. There are no other warranties, expressed or implied. THERE ARE NO WARRANTIES OF MERCHANTABILITY OR FITNESS FOR A PARTICULAR PURPOSE. ENCLUME SPECIFICALLY DISCLAIMS ANY AND ALL INCIDENTAL OR CONSEQUENTIAL DAMAGES ARISING OUT OF THE PURCHASE OR USE OF ENCLUME'S PRODUCTS.