

Products / Dining Tables / Quartz Dining Table ø100

Quartz dining table ø100

by Ramón Esteve

The Quartz chairs and table collection, designed by Ramón Esteve for Vondom, is characterized by its **orthogonal geometry and triangular shaped profiles**. Due to the line of one of its vertexes this piece appears extremely light.

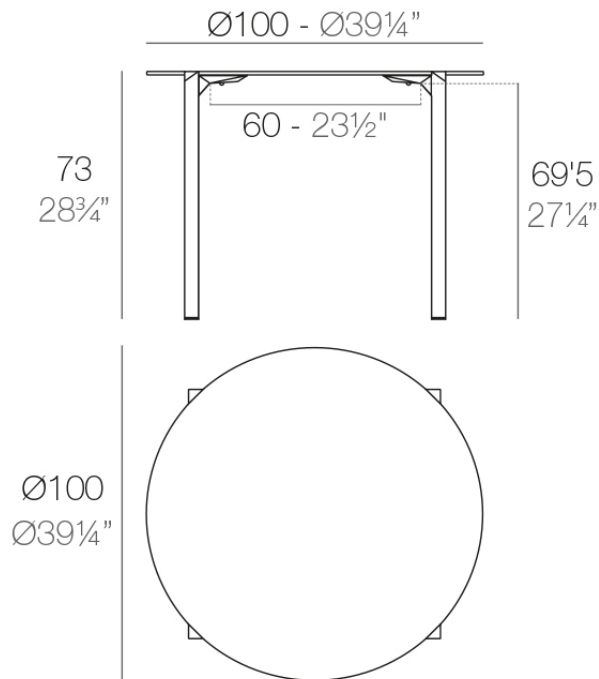


Info

Description

Made of gas air moulding injected polyamide with fiber glass for legs and HPL table tops. Stackable. Available in 3 colors. Item suitable for indoor and outdoor use.

Weight: 13.06 Kg



QUARTZ Mesa $\text{Ø}100$
QUARTZ Table $\text{Ø}39\frac{1}{4}$ "

Finishes

finishes

BASIC PP
Ref. 54202



white



black



ecru

Available in various colors

