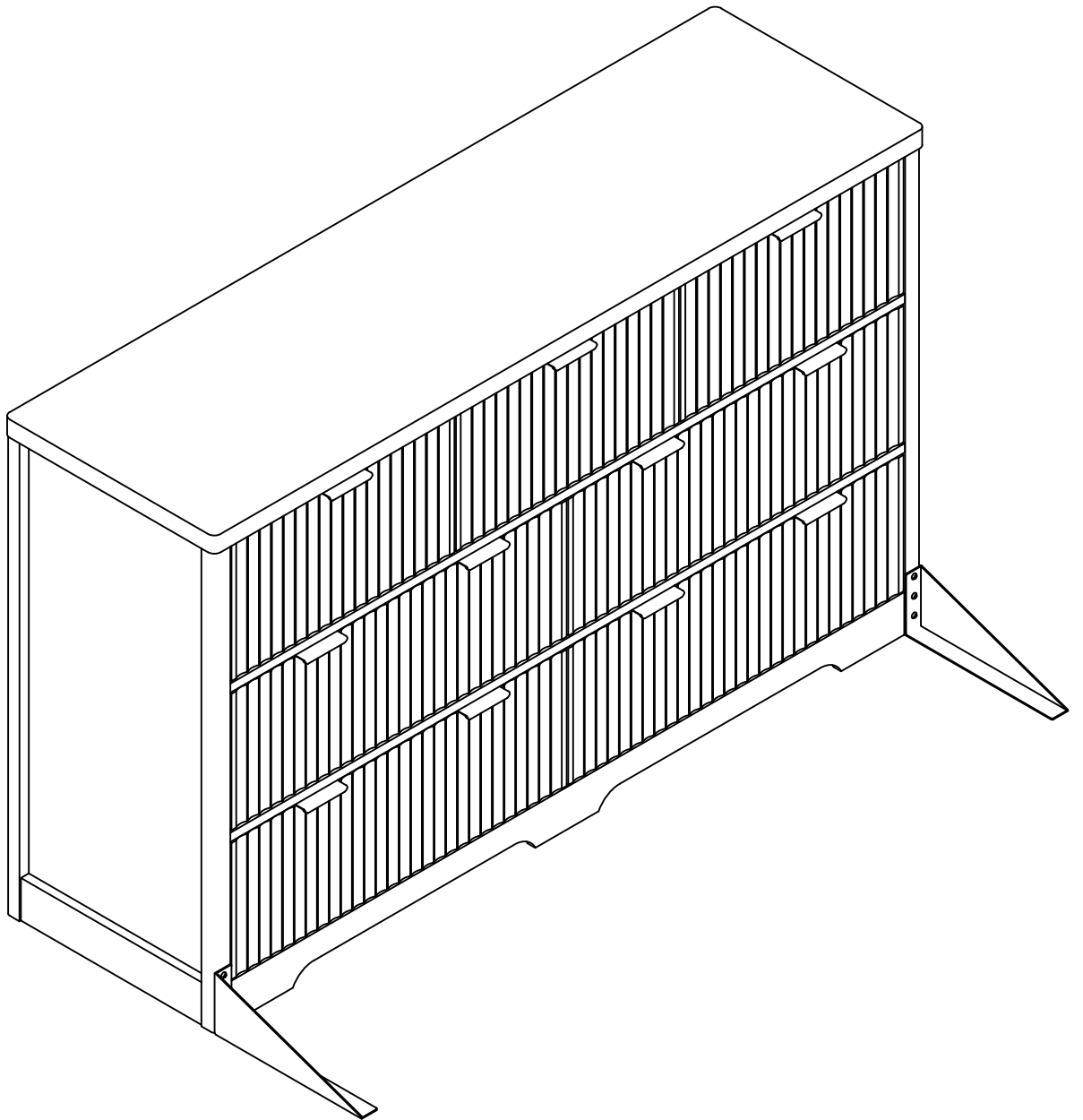
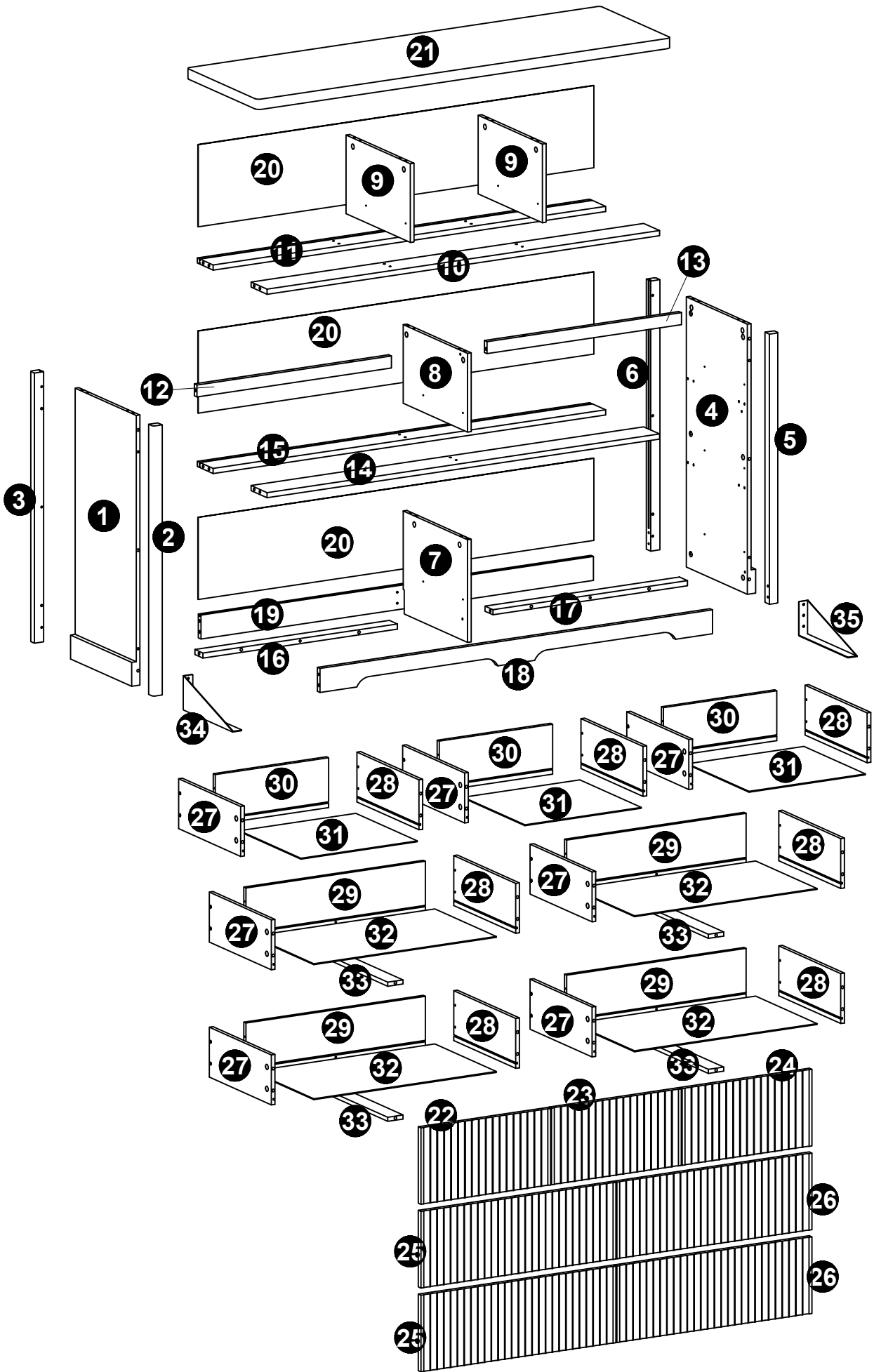
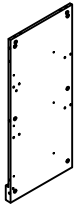





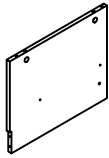
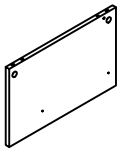
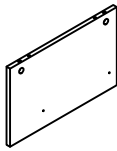
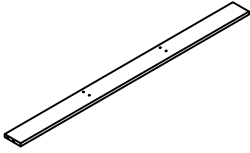
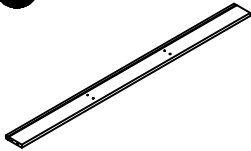
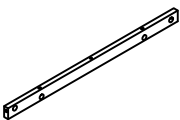
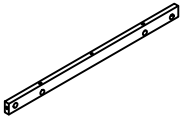
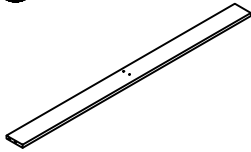
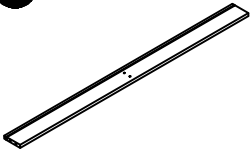
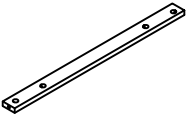
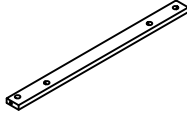
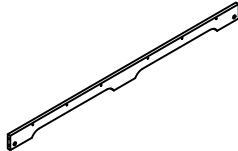
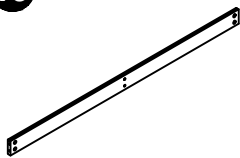
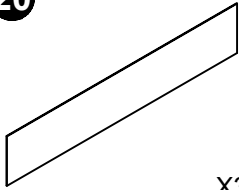
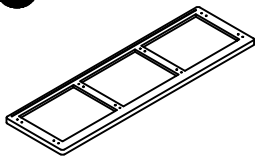
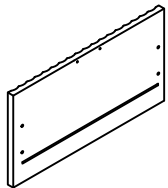
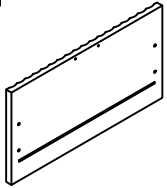
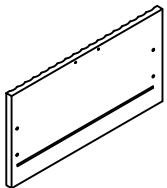
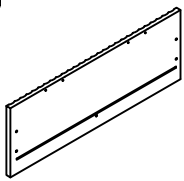
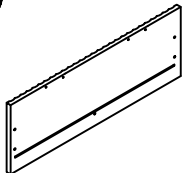
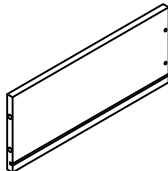
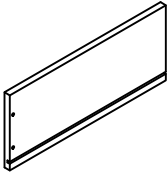
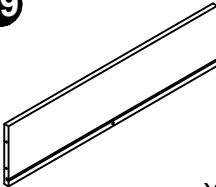
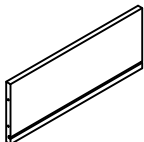
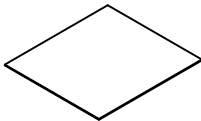
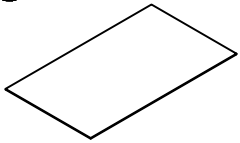
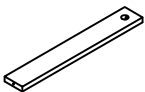
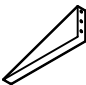
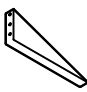



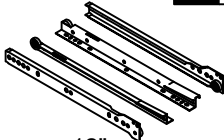












Installation & Assembly

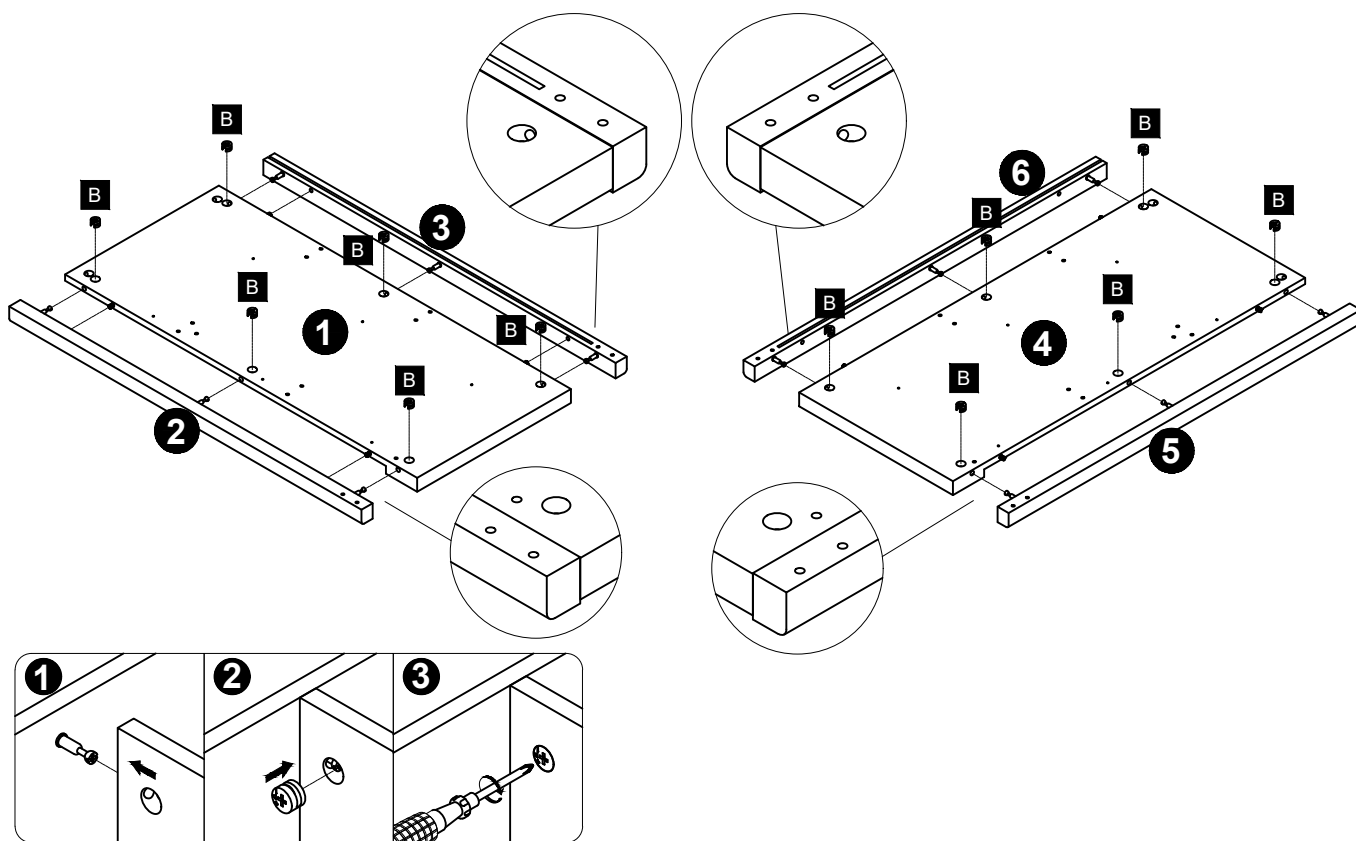




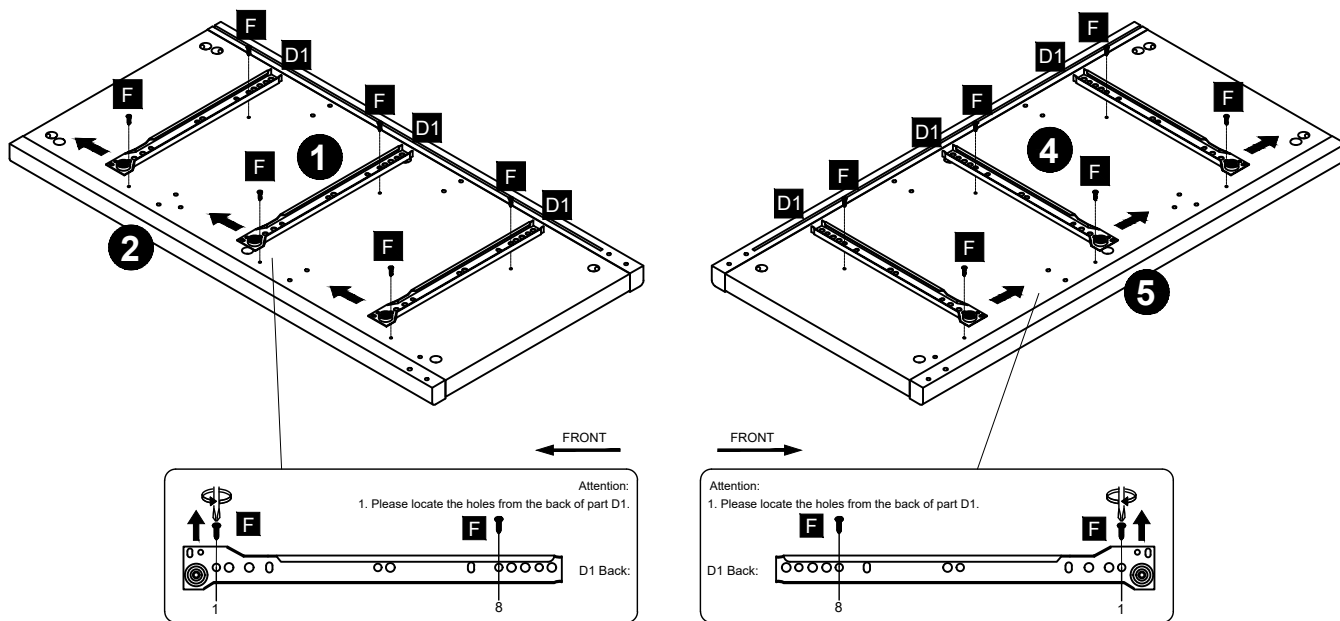
1  X1	2  X1	3  X1	4  X1	5  X1
6  X1	7  X1	8  X1	9  X2	10  X1
11  X1	12  X1	13  X1	14  X1	15  X1
16  X1	17  X1	18  X1	19  X1	20  X3
21  X1	22  X1	23  X1	24  X1	25  X2
26  X2	27  X7	28  X7	29  X4	30  X3
31  X3	32  X4	33  X4	34  X1	35  X1

<p>A X94</p>  <p>6x32mm</p>	<p>B X94</p>  <p>15x10mm</p>	<p>C X32</p>  <p>6x30mm</p>	<p>D X7</p>  <p>12"</p>
<p>E X8</p>  <p>5x40mm</p>	<p>F X78</p>  <p>3x12mm</p>	<p>G X32</p>  <p>4x30mm</p>	<p>H X11</p>  <p>80x32x13mm</p>
<p>I X18</p>  <p>3x17mm</p>	<p>J X18</p> 	<p>K X40</p>  <p>Ø20mm</p>	<p>L X6</p>  <p>4x14mm</p>
<p>M X2</p> 	<p>X 1</p> 		

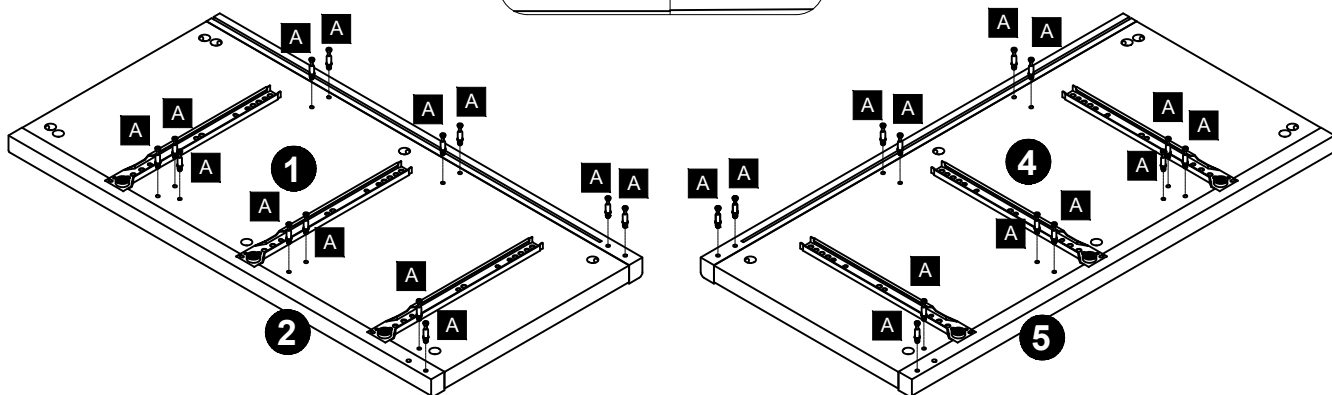
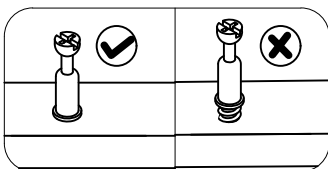
B X12



F X12

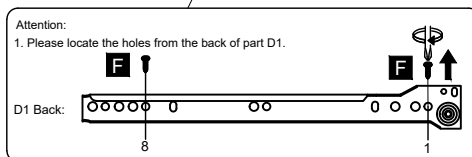
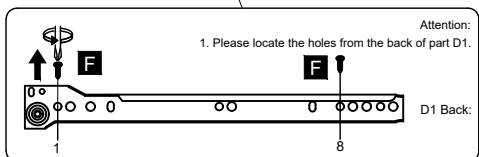
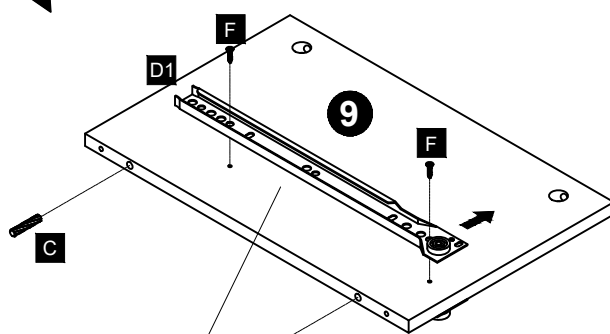
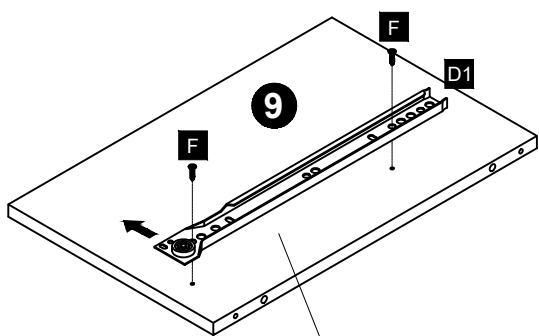


A X26



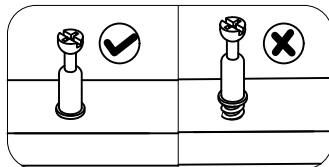
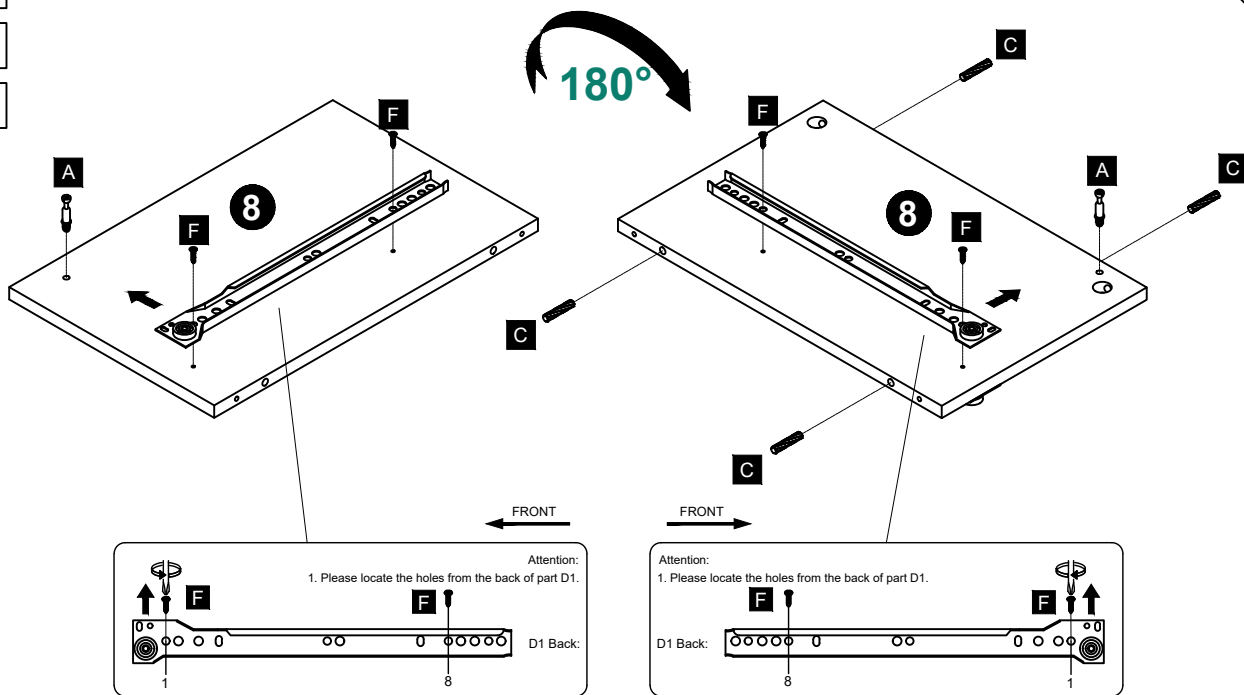
C X4

F X8

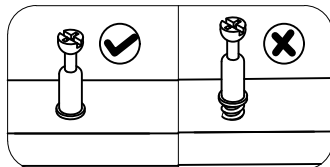
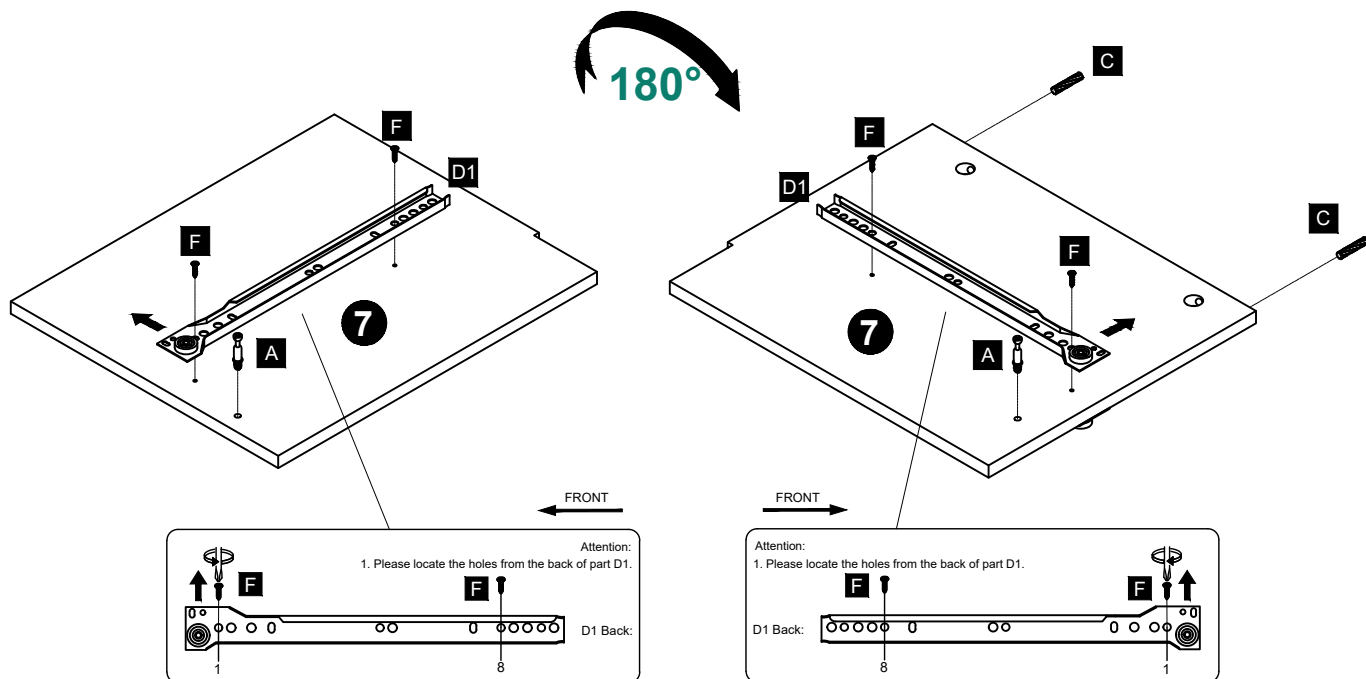


X2

- A X 2
- C X 4
- F X 4

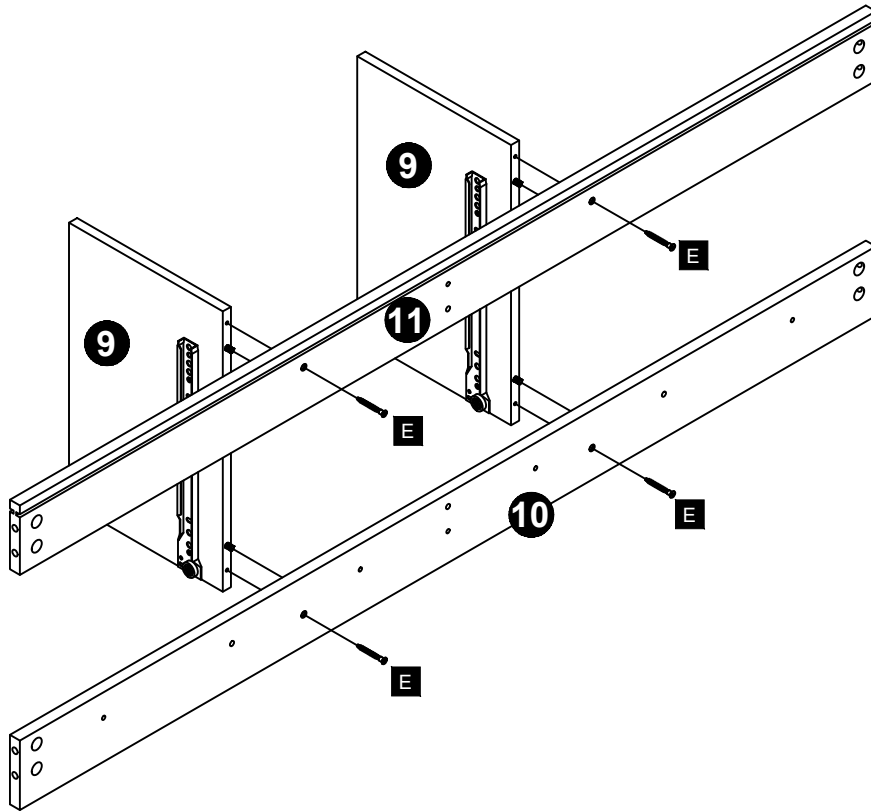


- A X 2
- C X 2
- F X 4



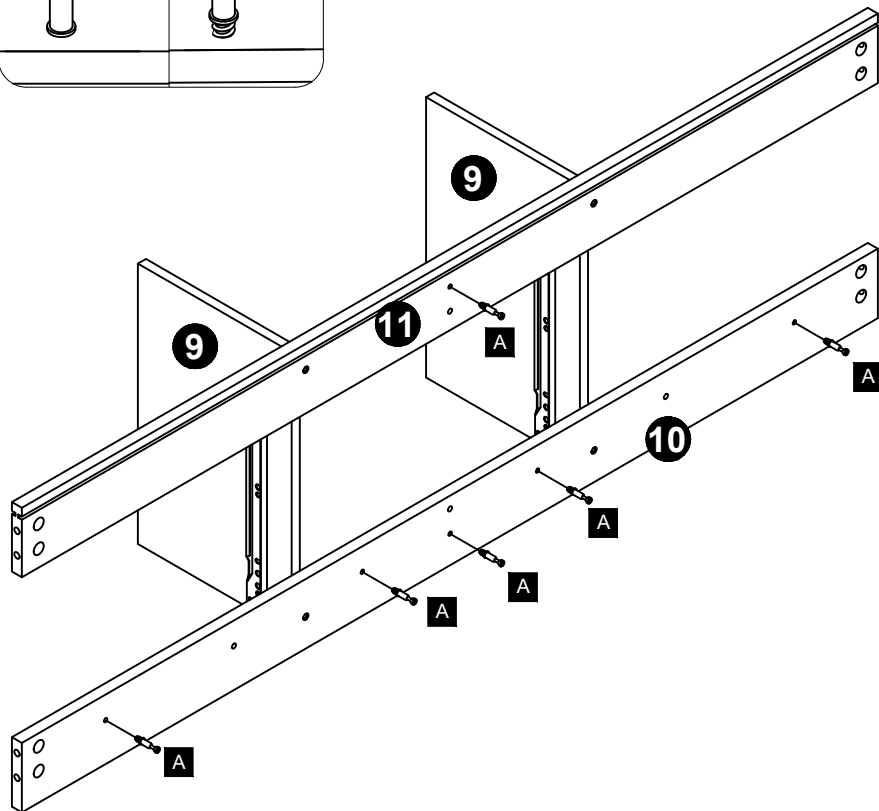
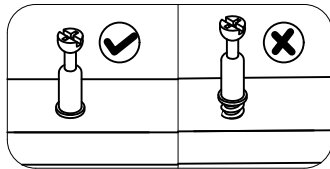
E X4

09

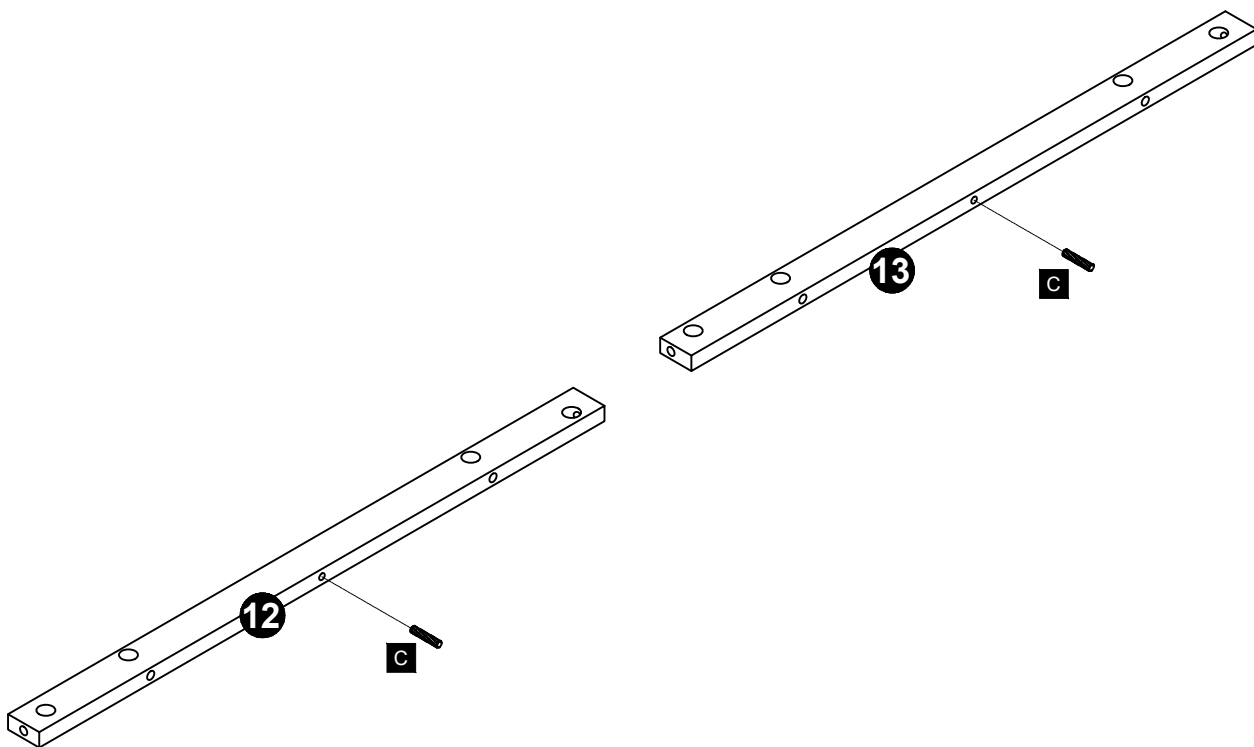


A X6

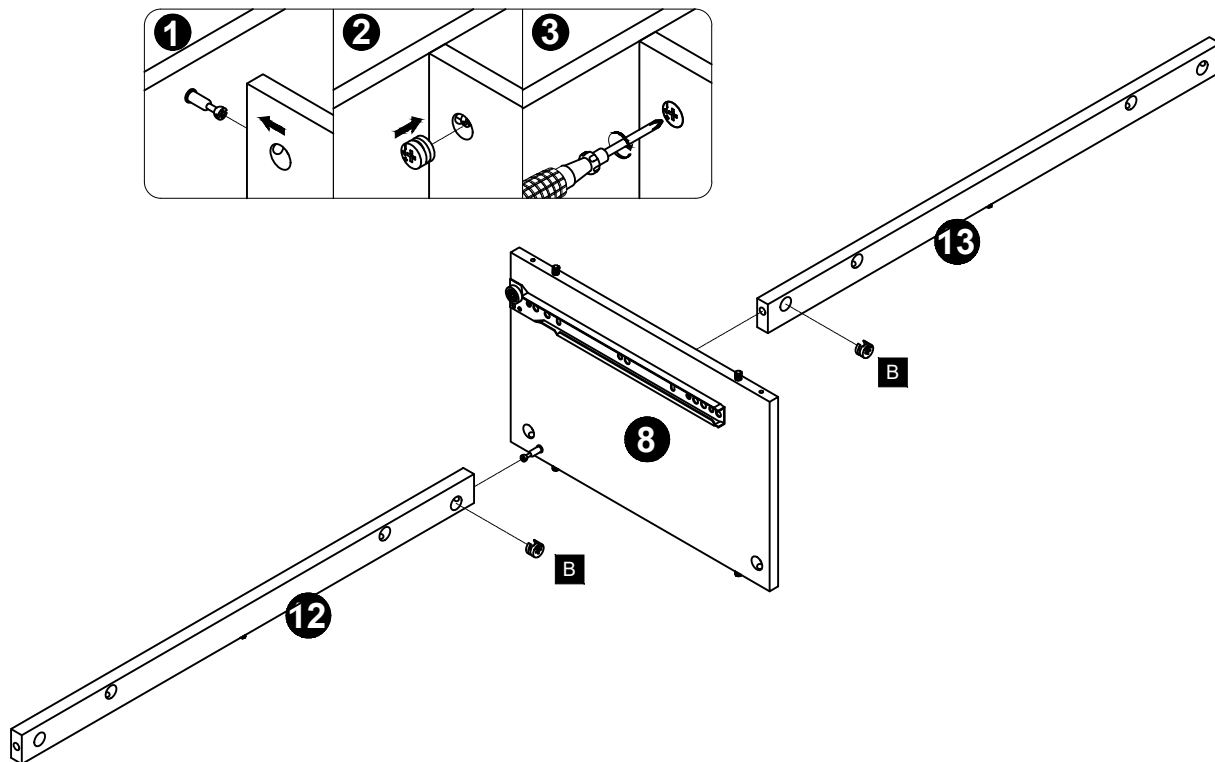
10



C X2

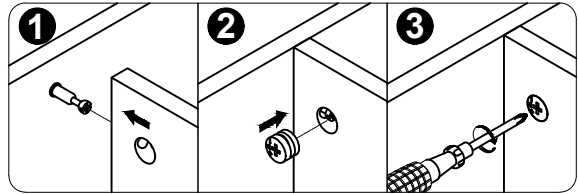
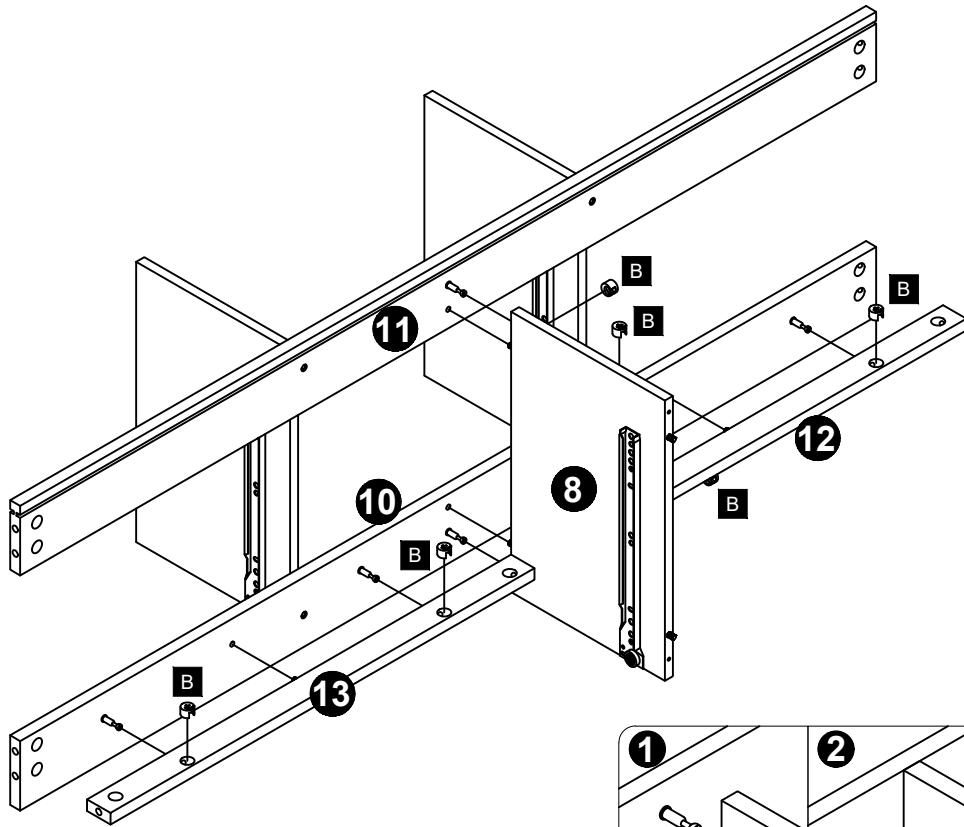


B X2



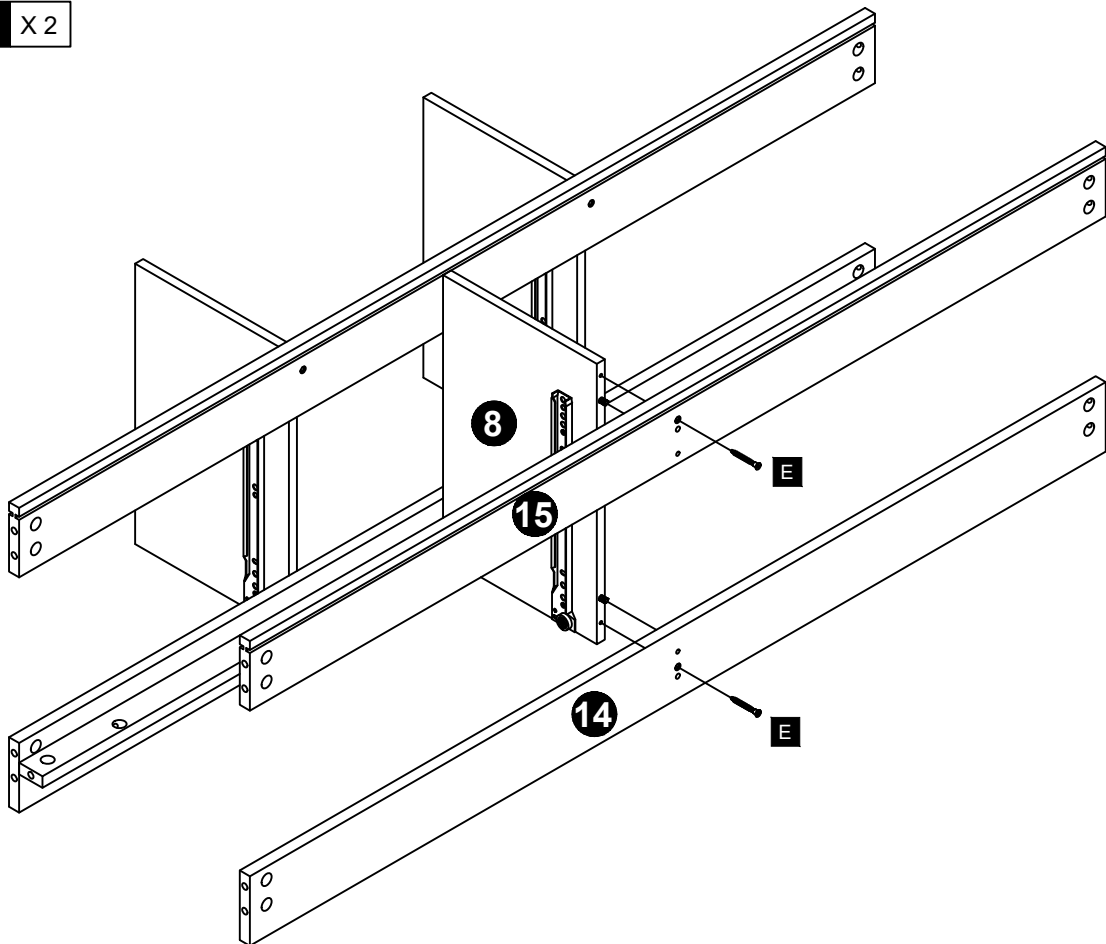
B X6

13

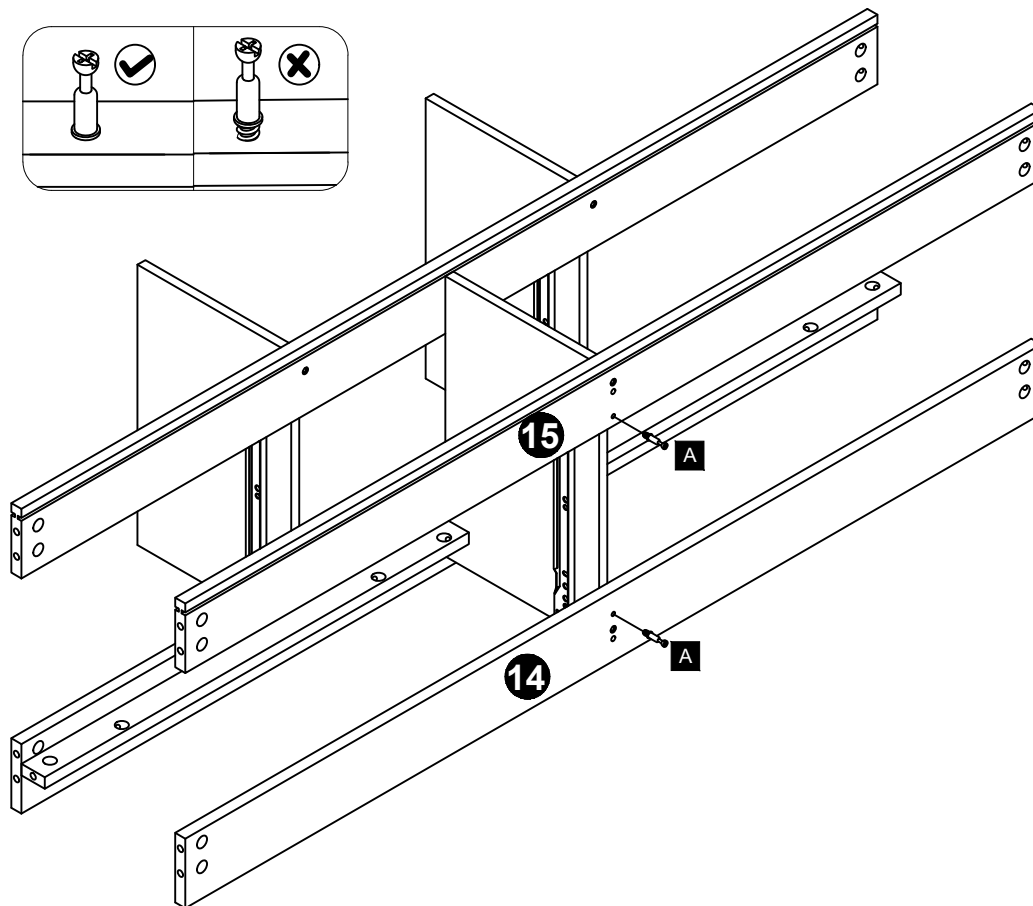
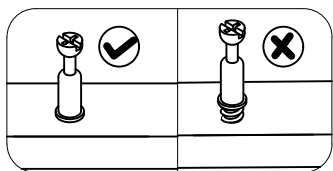


E X2

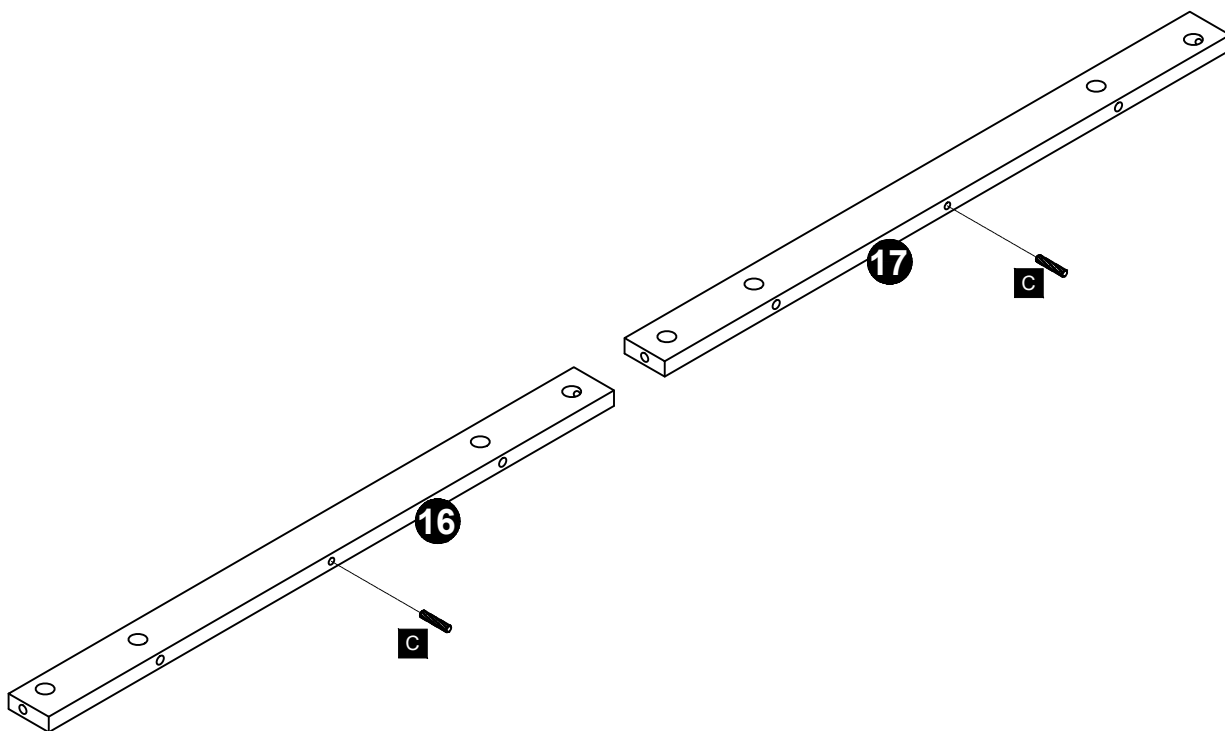
14



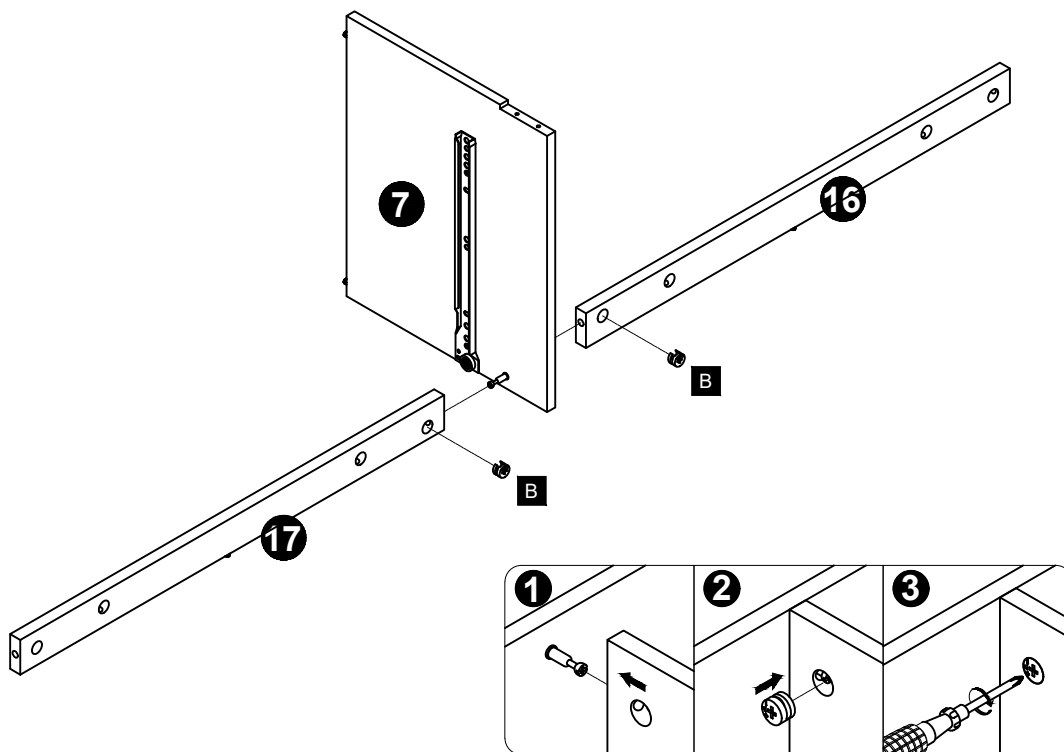
A X2



C X2

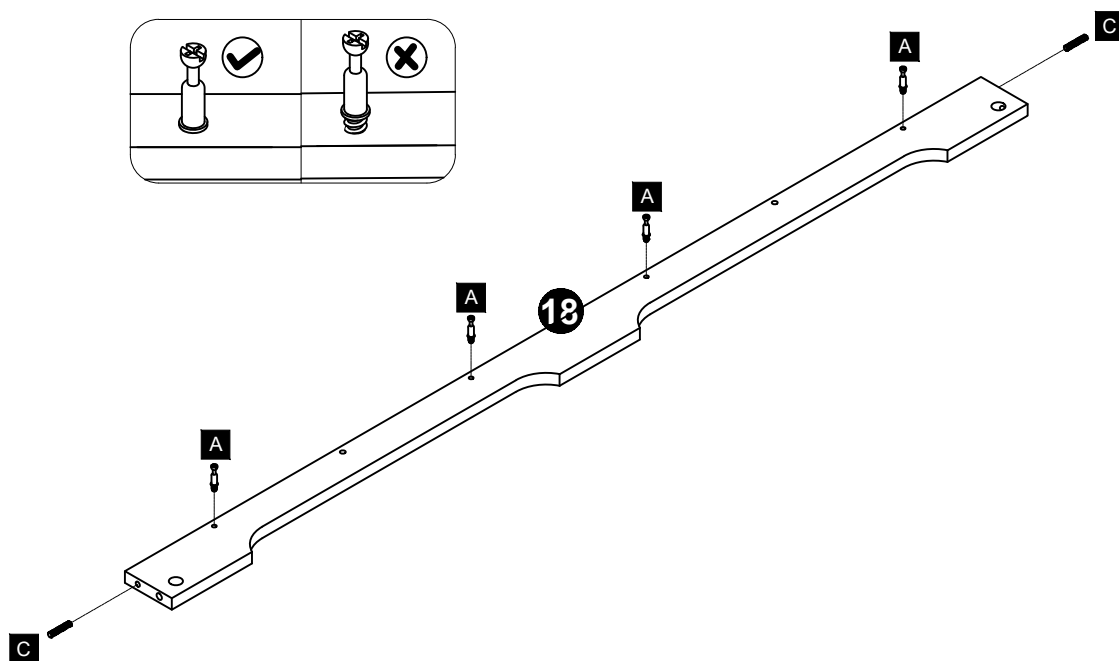


B X2

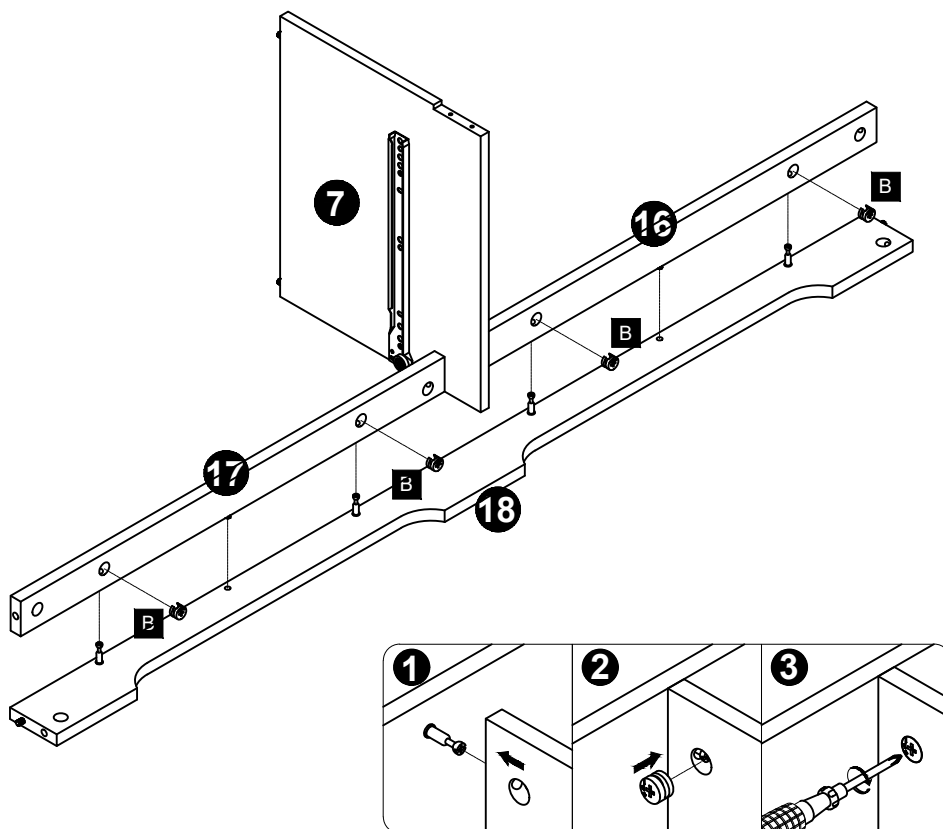


A X4

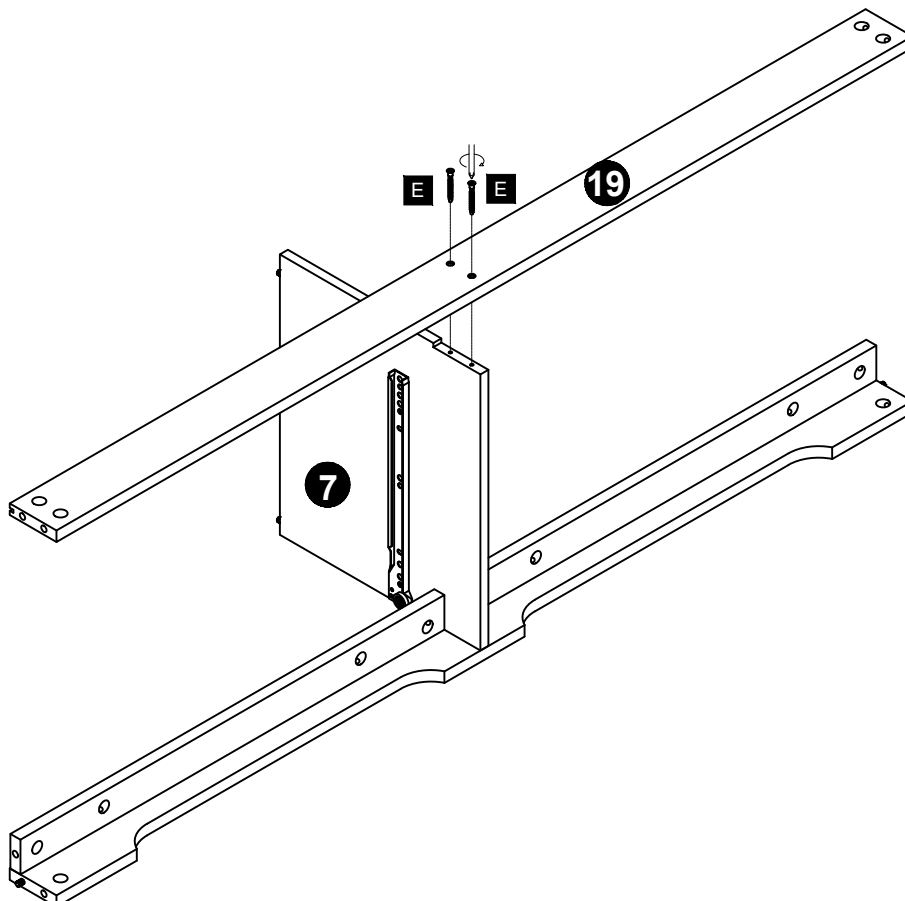
C X2



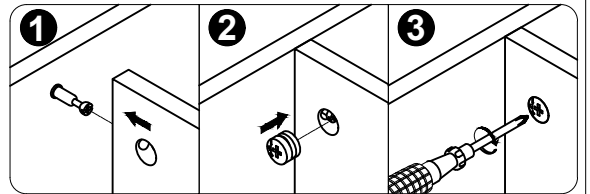
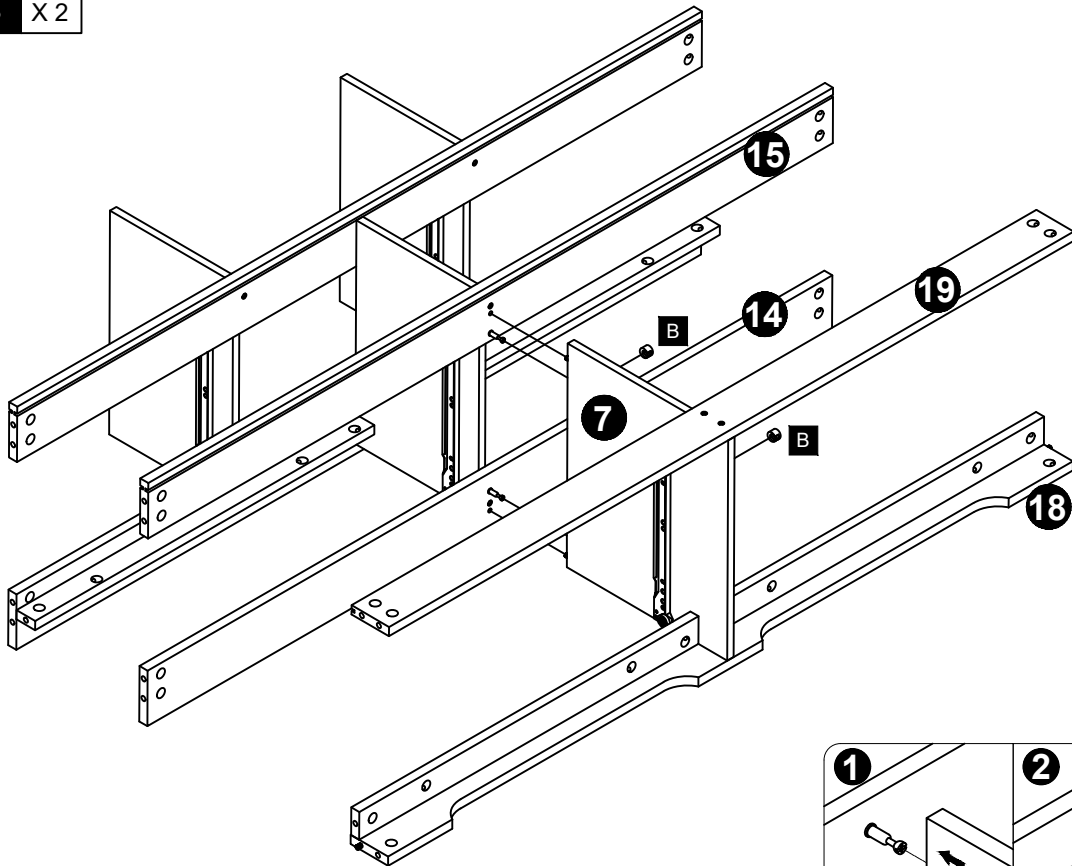
B X4



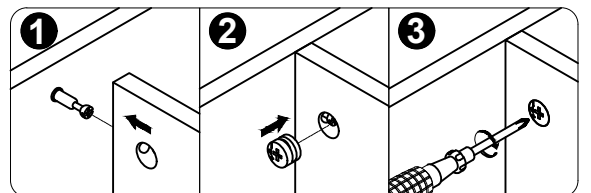
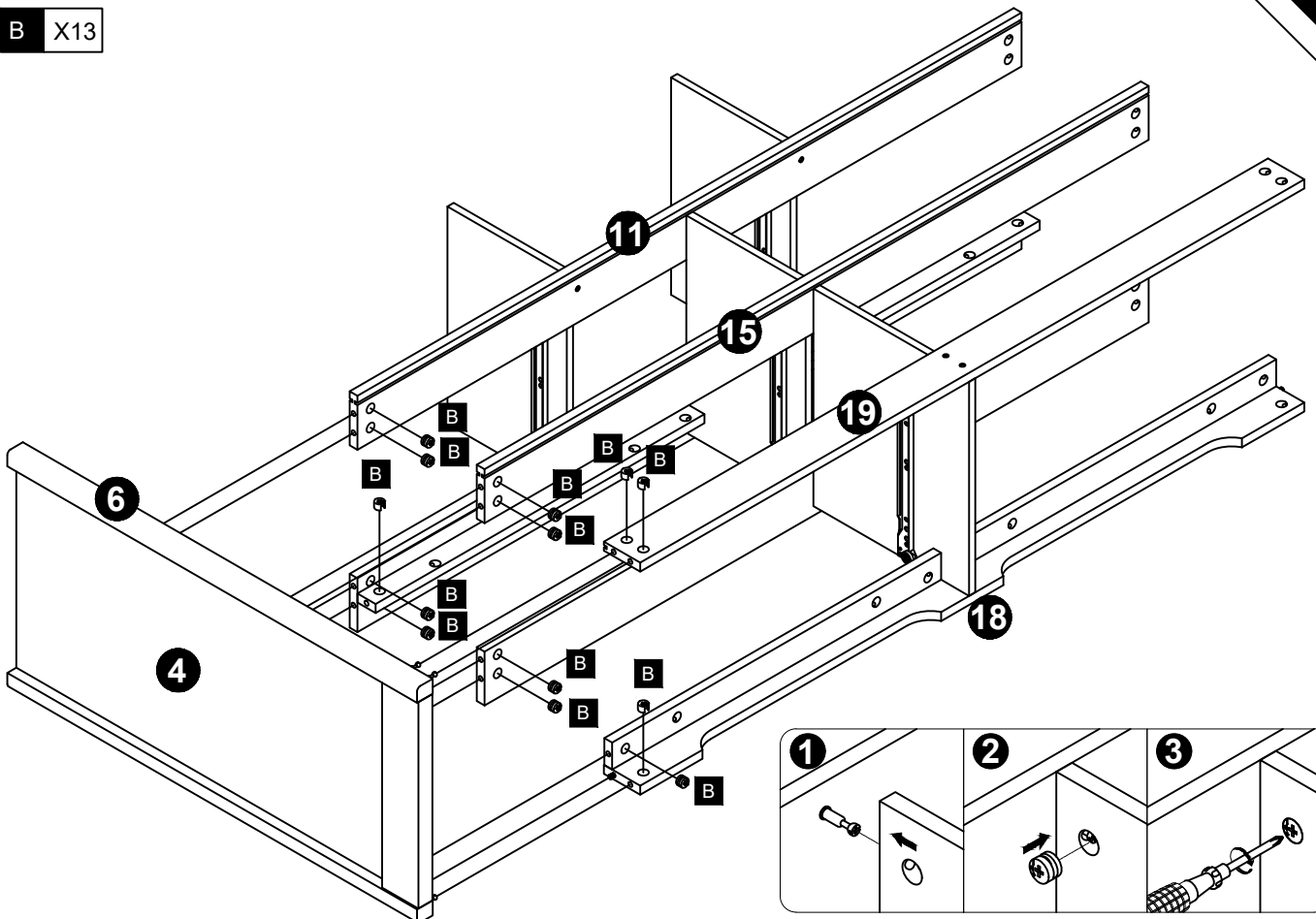
E X2

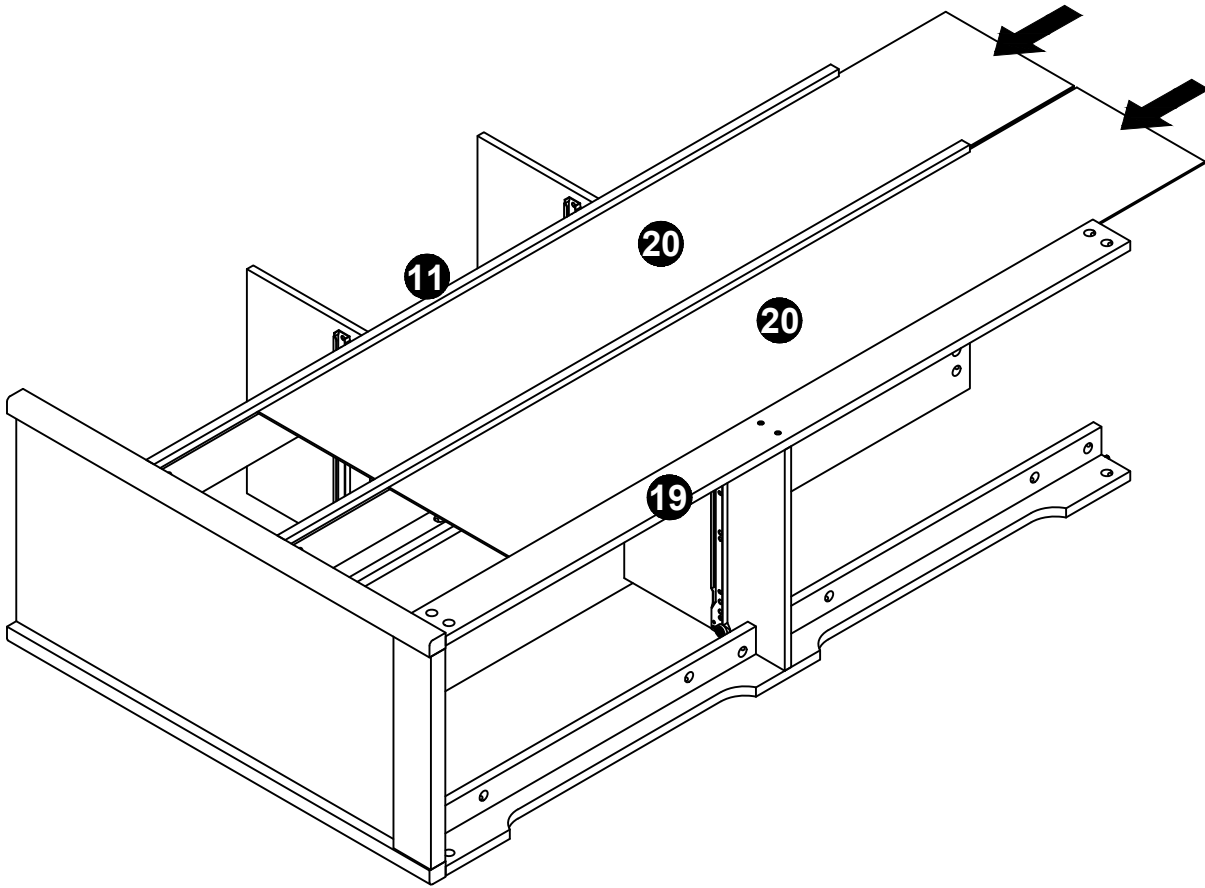


B X2

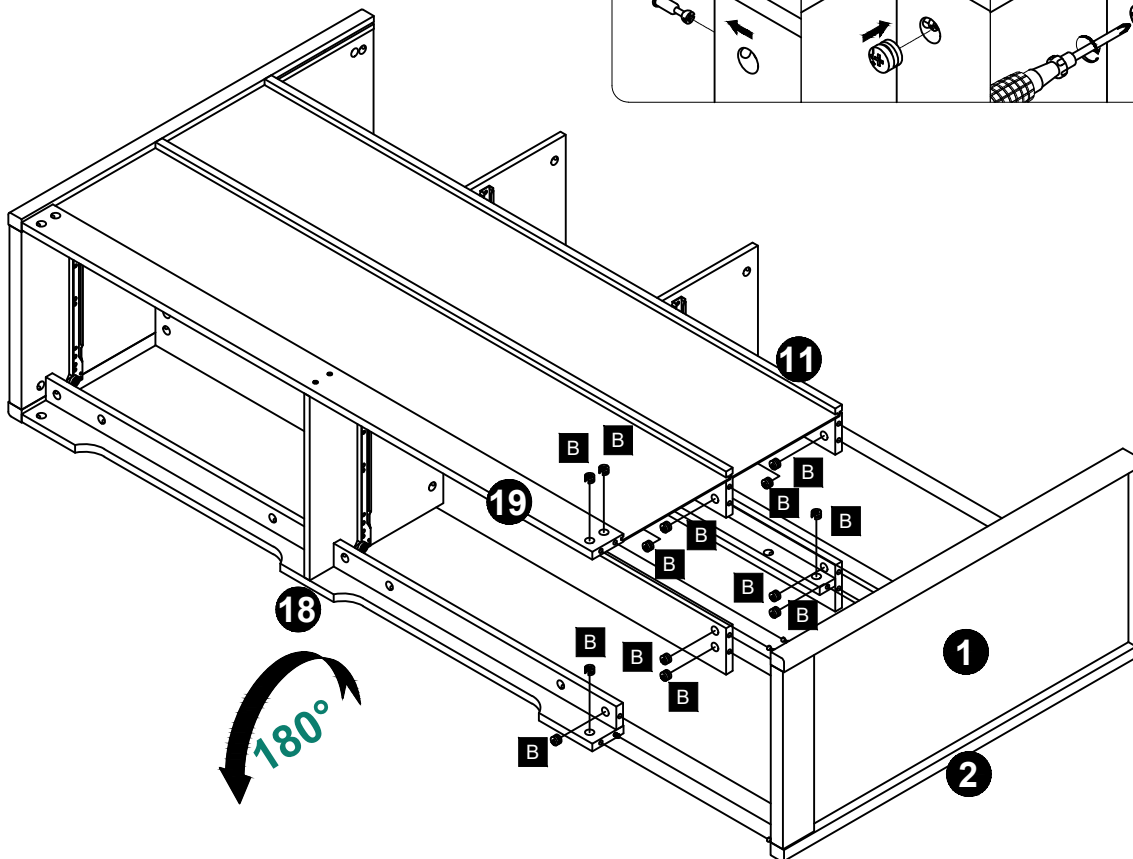
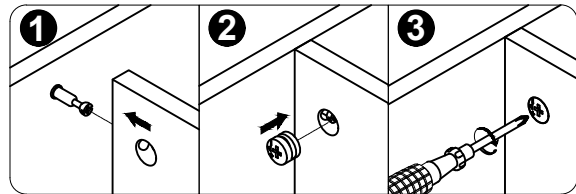


B X13

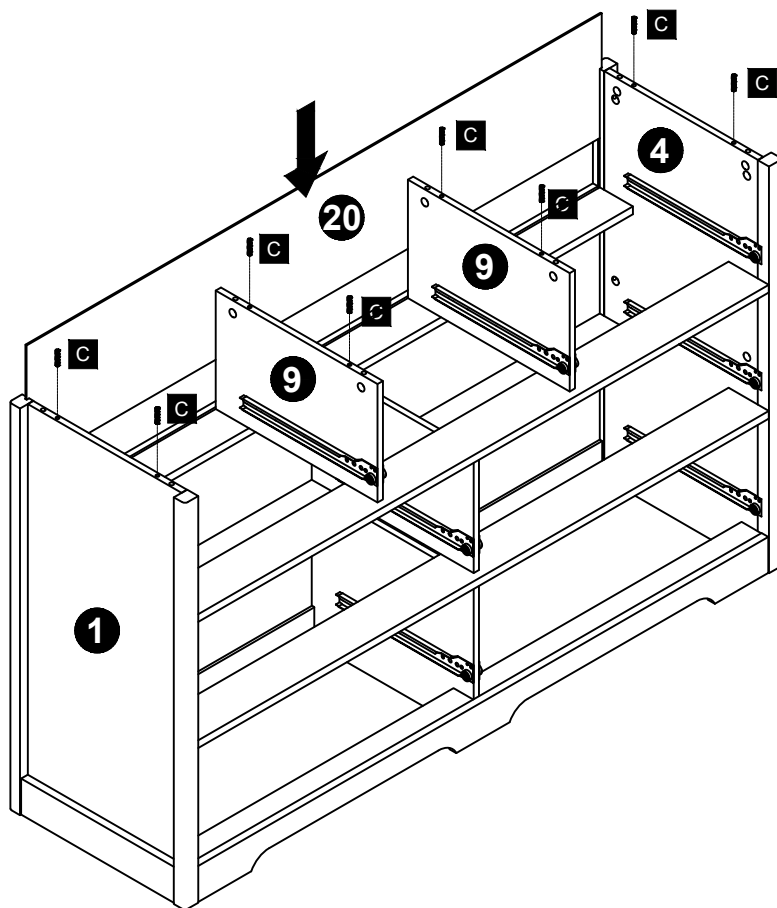




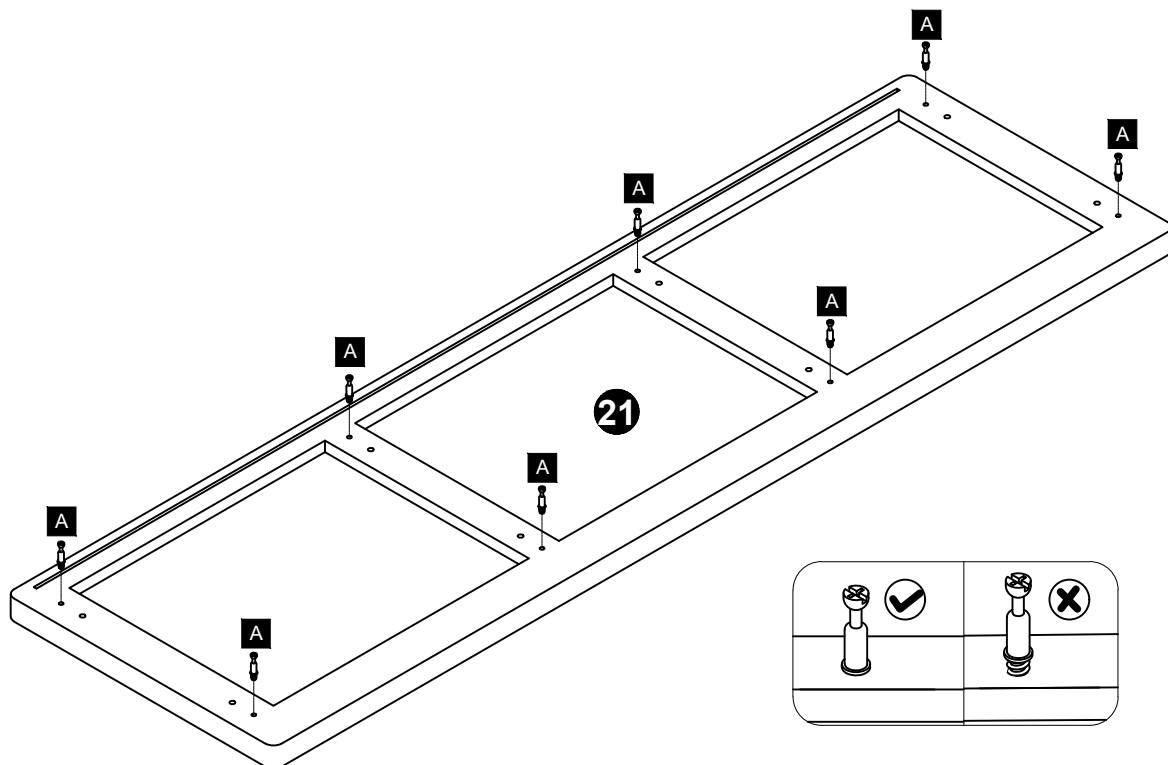
B X13



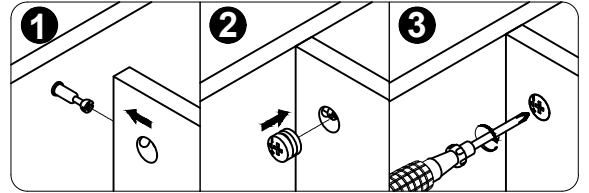
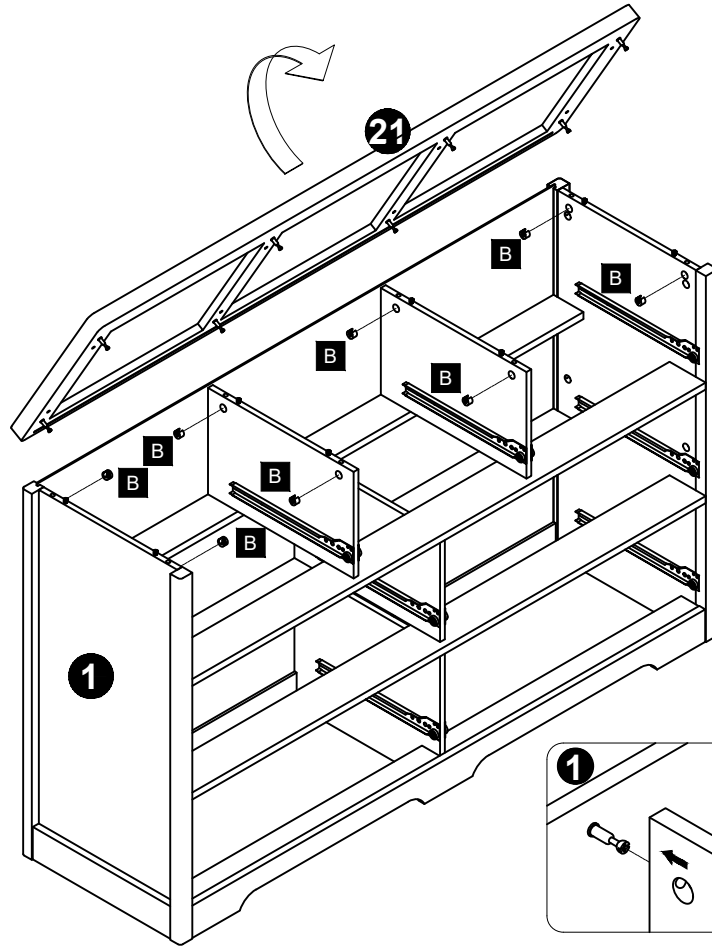
C X 8



A X 8

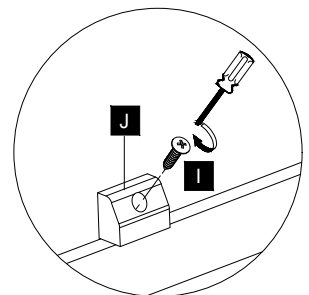
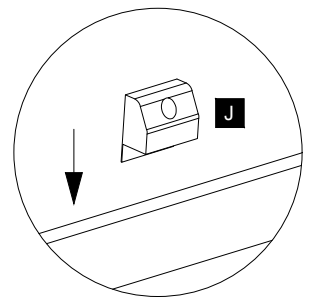
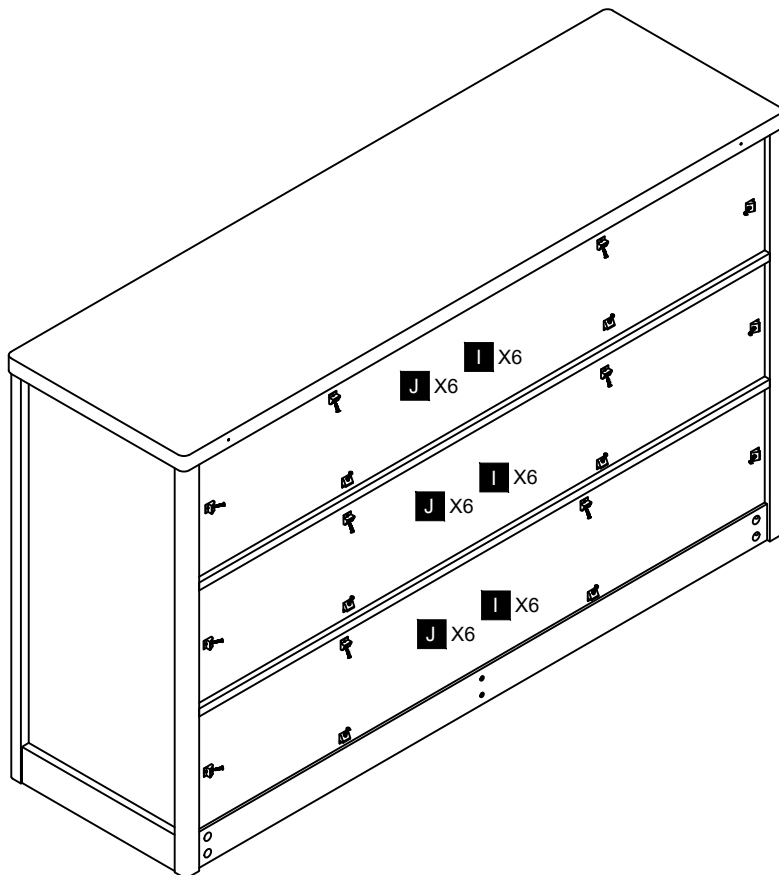


B X 8



I X18

J X18



M X 2



The unit is floor standing, but it is recommended that the unit is secured to the wall.

1. Move the unit into desired position.
2. Mark the wall with a suitable scribe the position of the fixing holes.

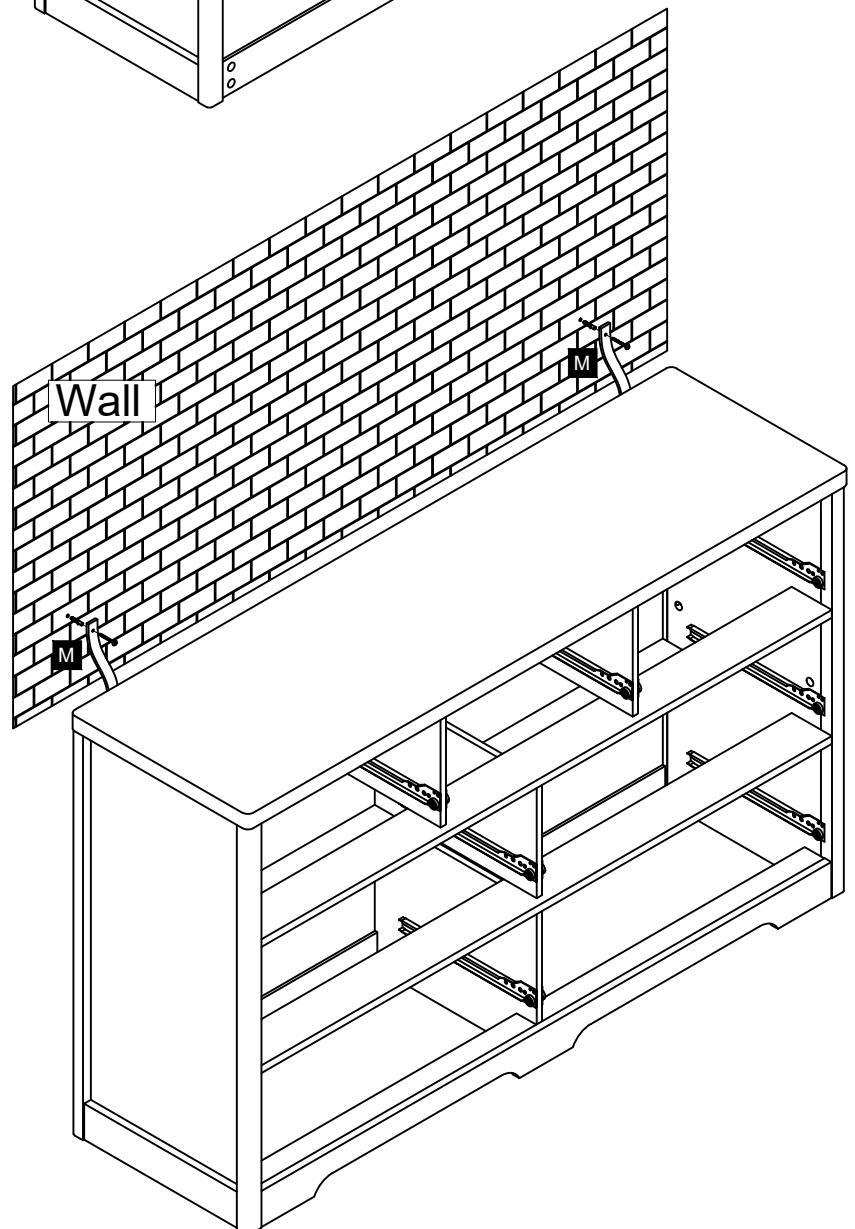
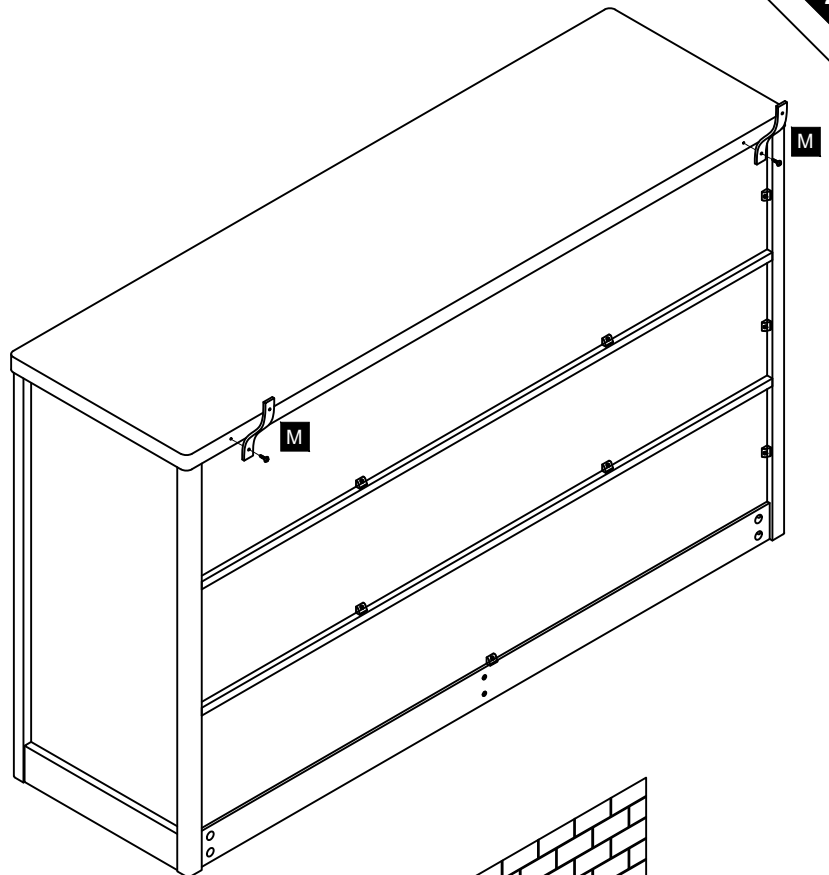


Warning:

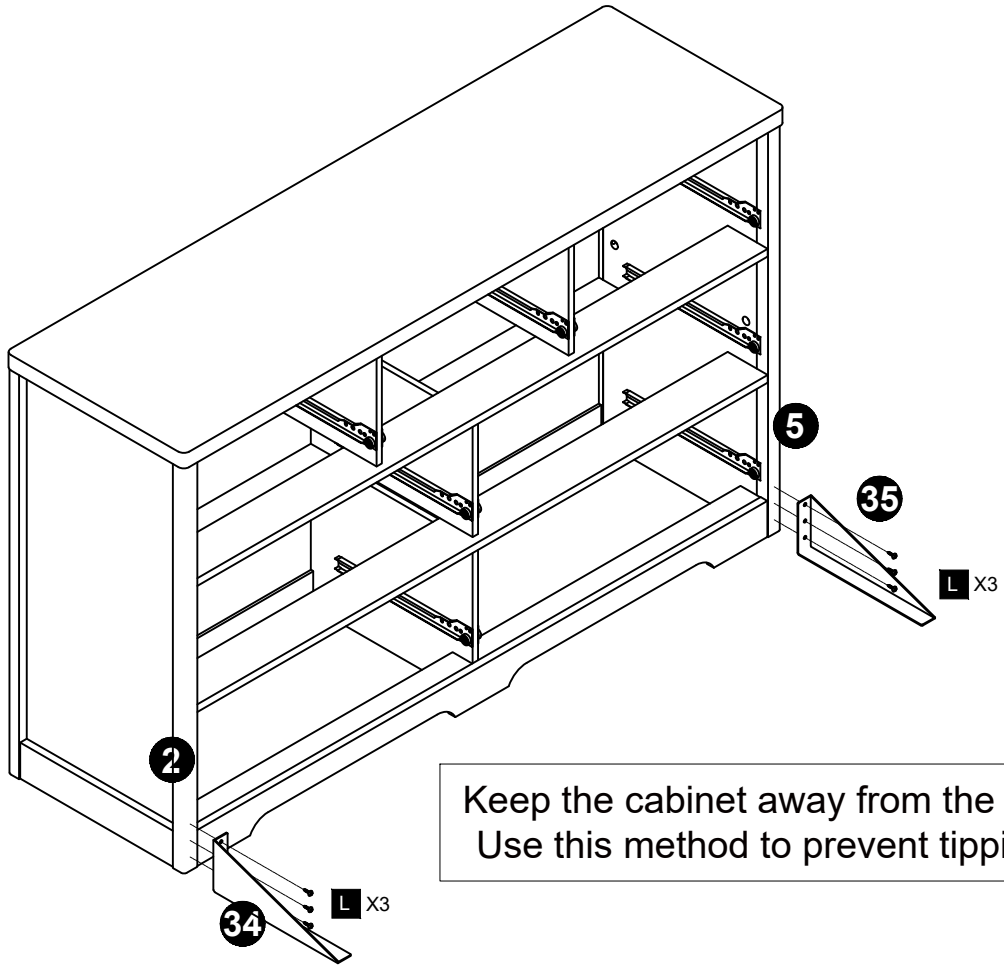
Before drilling, check wall for hidden pipes and cables.

3. Drill holes and insert 2 x wall plug
4. Attach 2 x Wall Straps to the top of the unit using 2 x Washers and 2 x Screws
5. Secure the straps to the wall using 2 x Washers and 2 x Screws

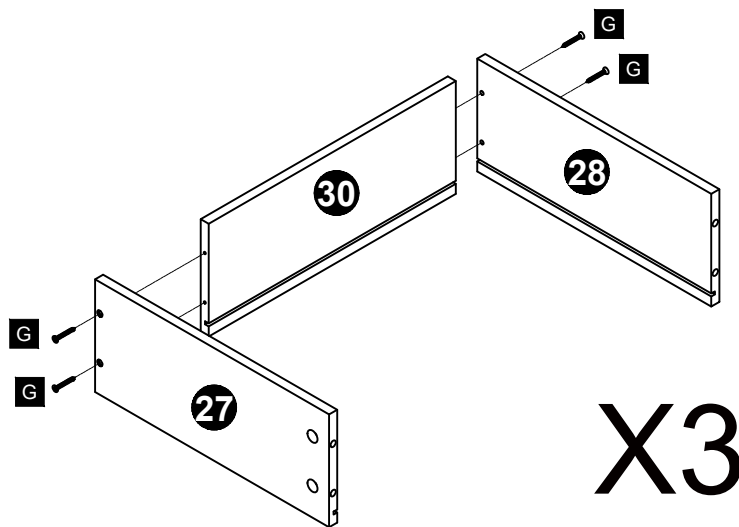
Note: To hide the straps behind the unit, drill the holes lower than the top of the unit

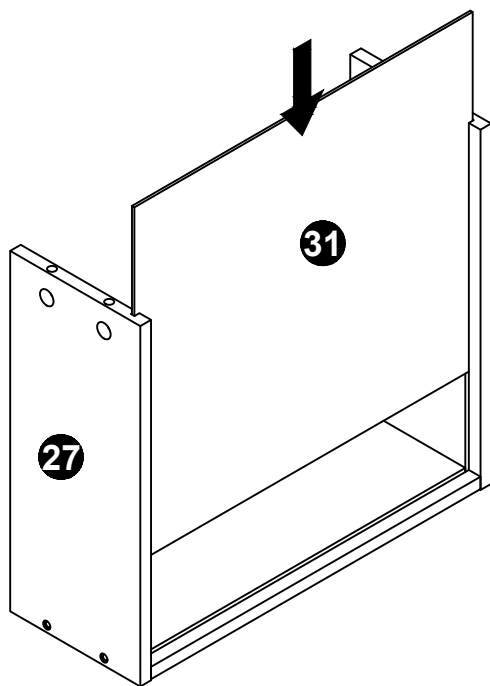


L X6



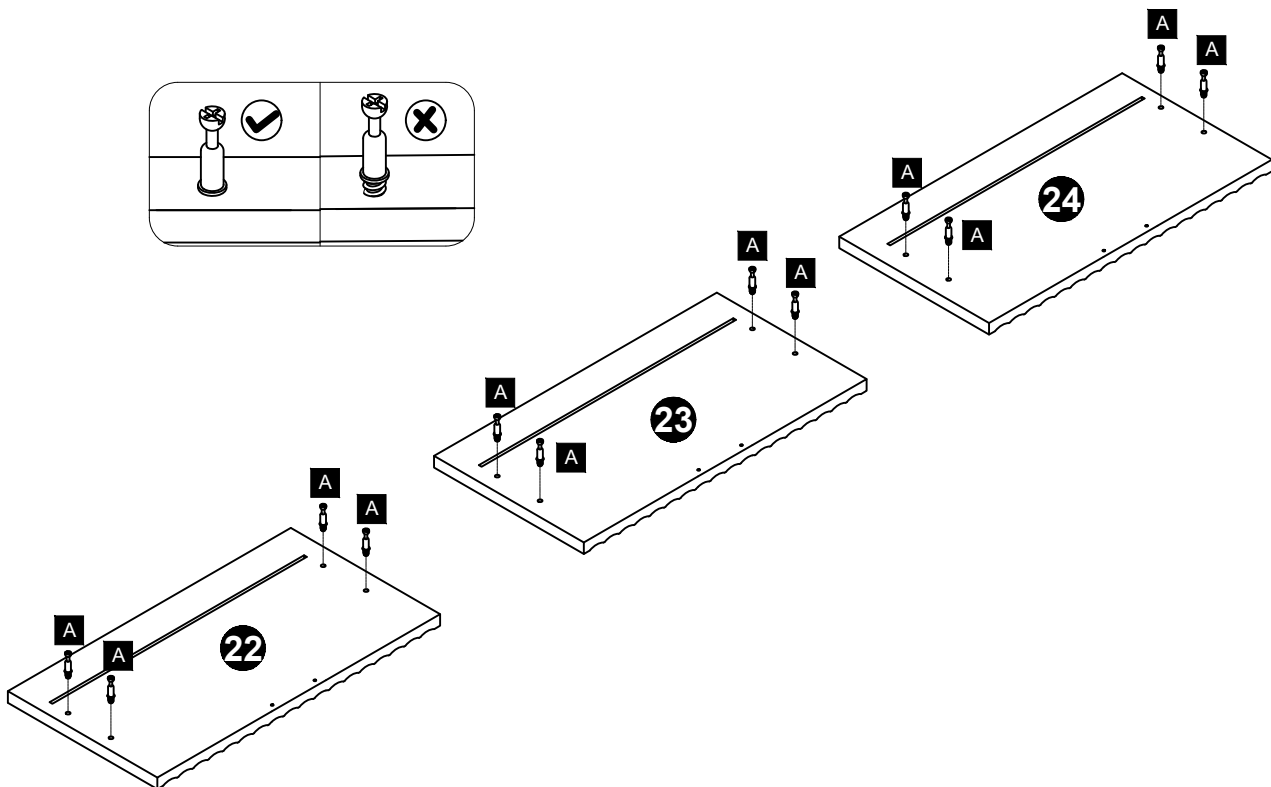
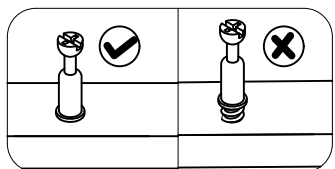
G X12





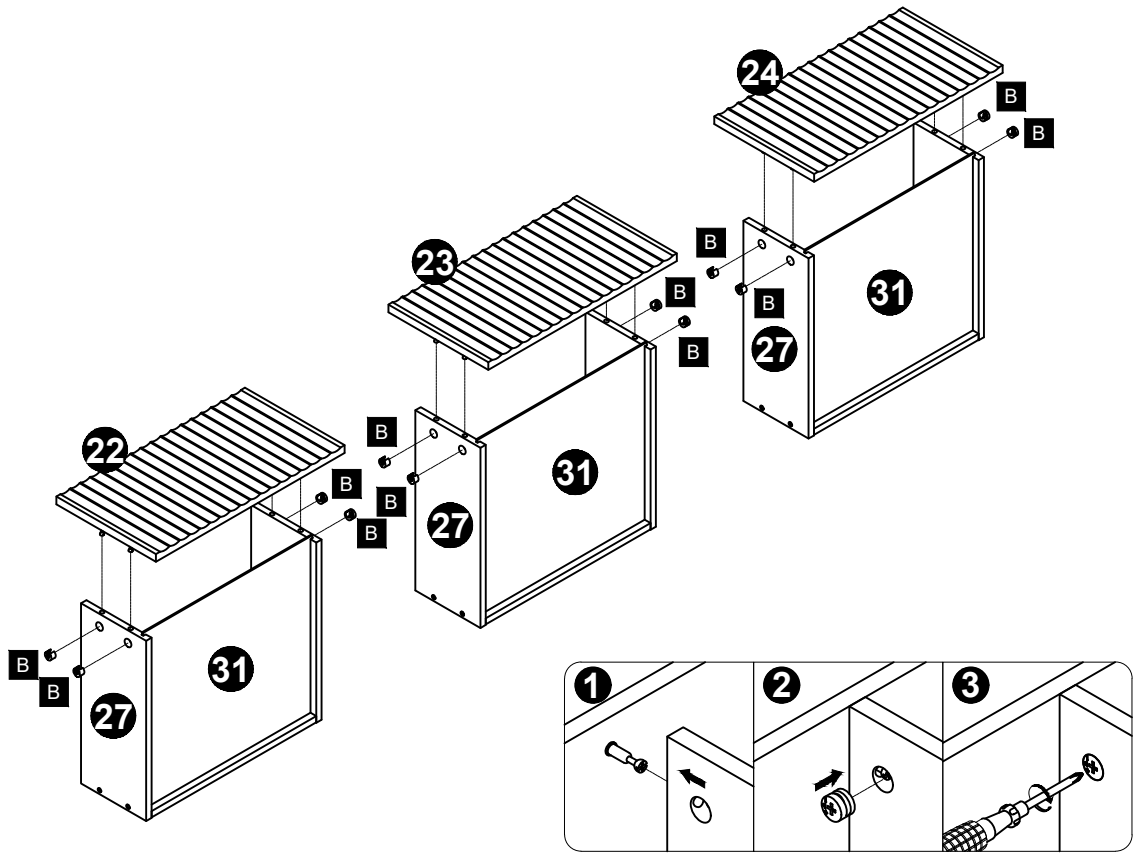
X3

A X12



B X12

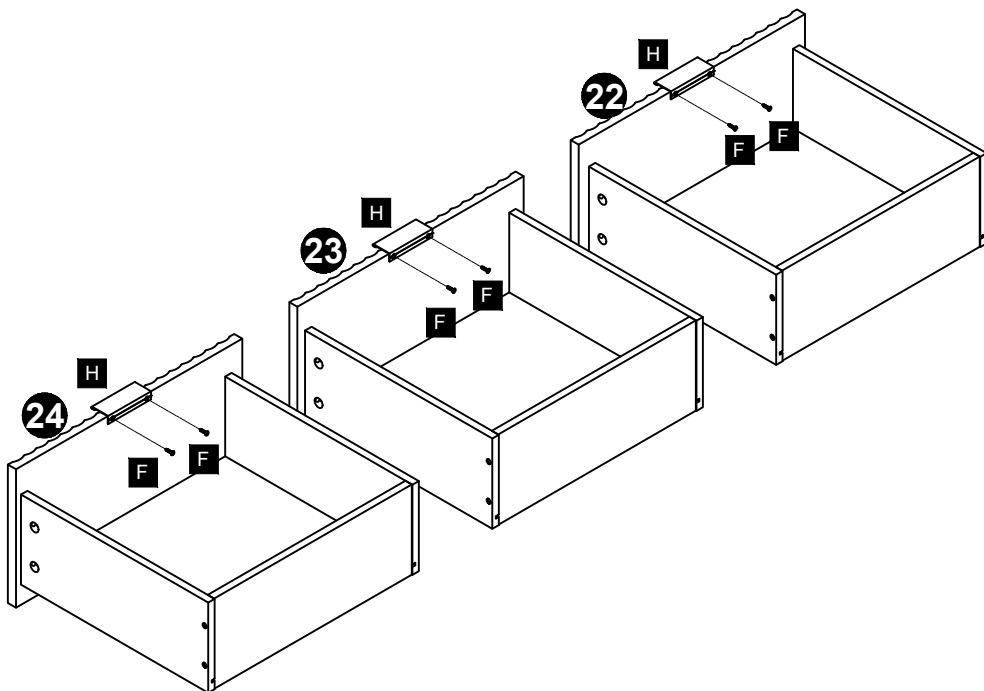
34



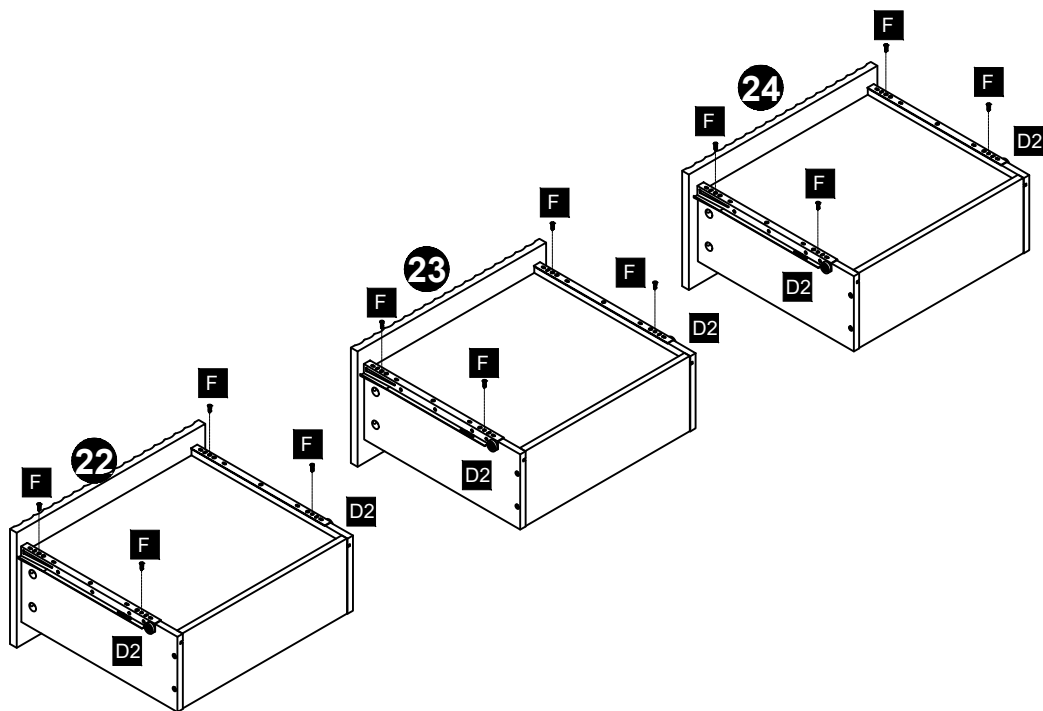
F X6

H X3

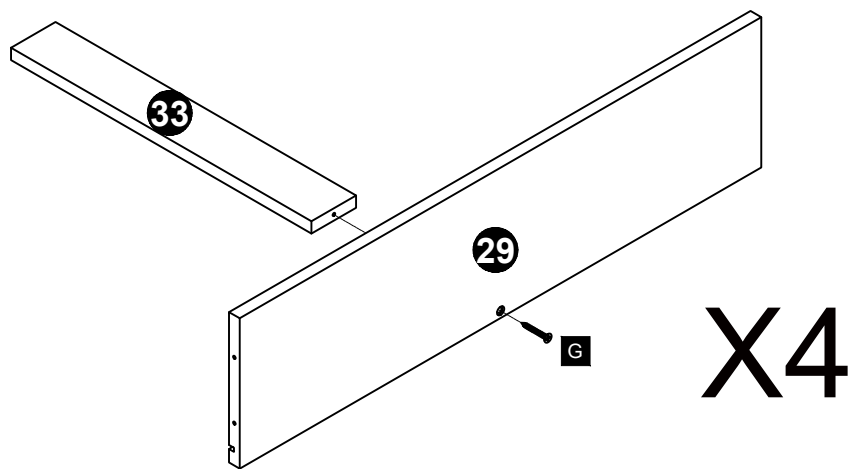
35

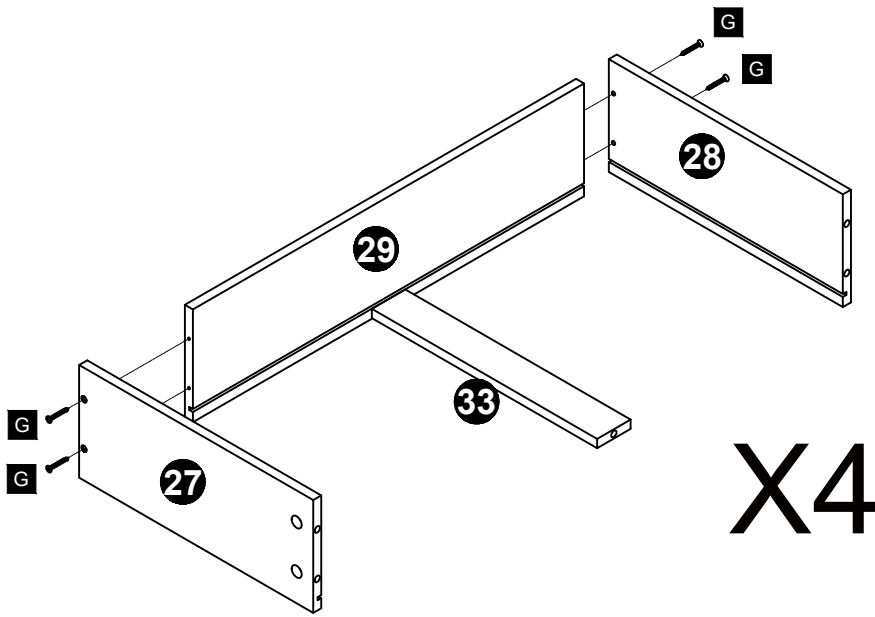


F X12

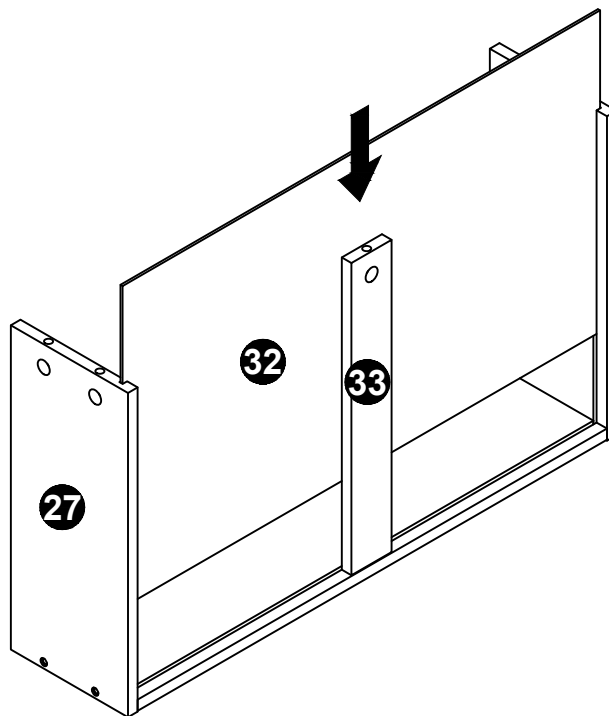


G X4



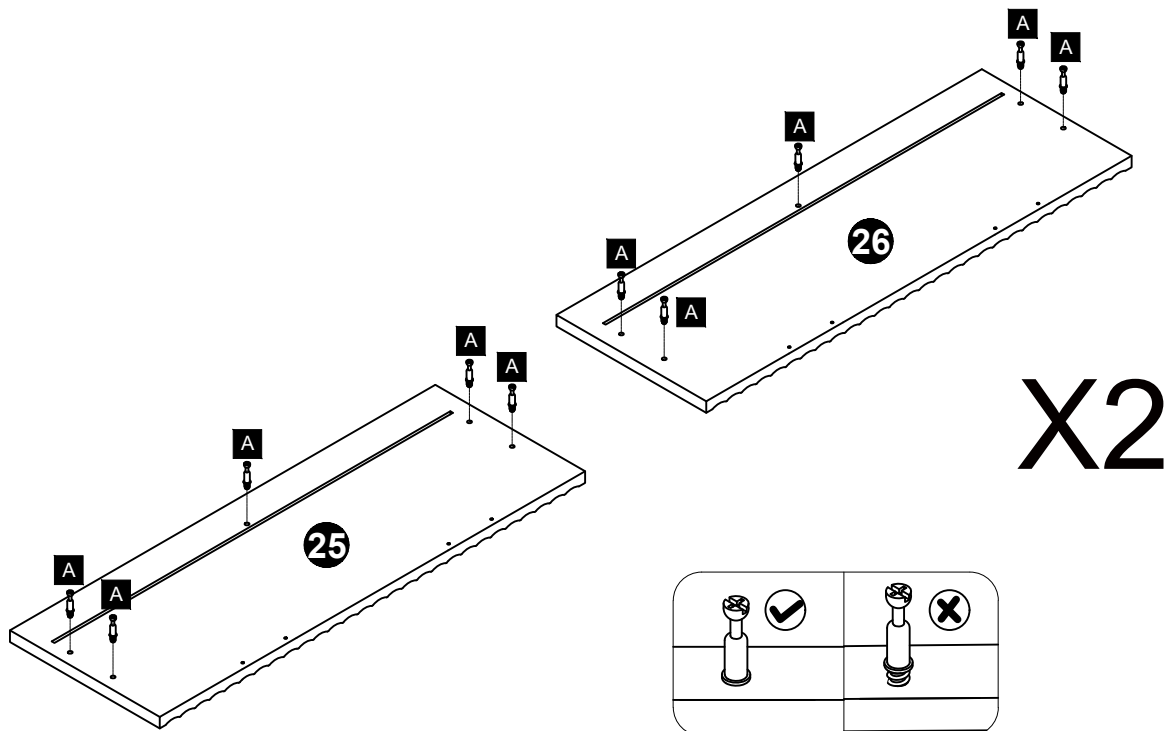


X4



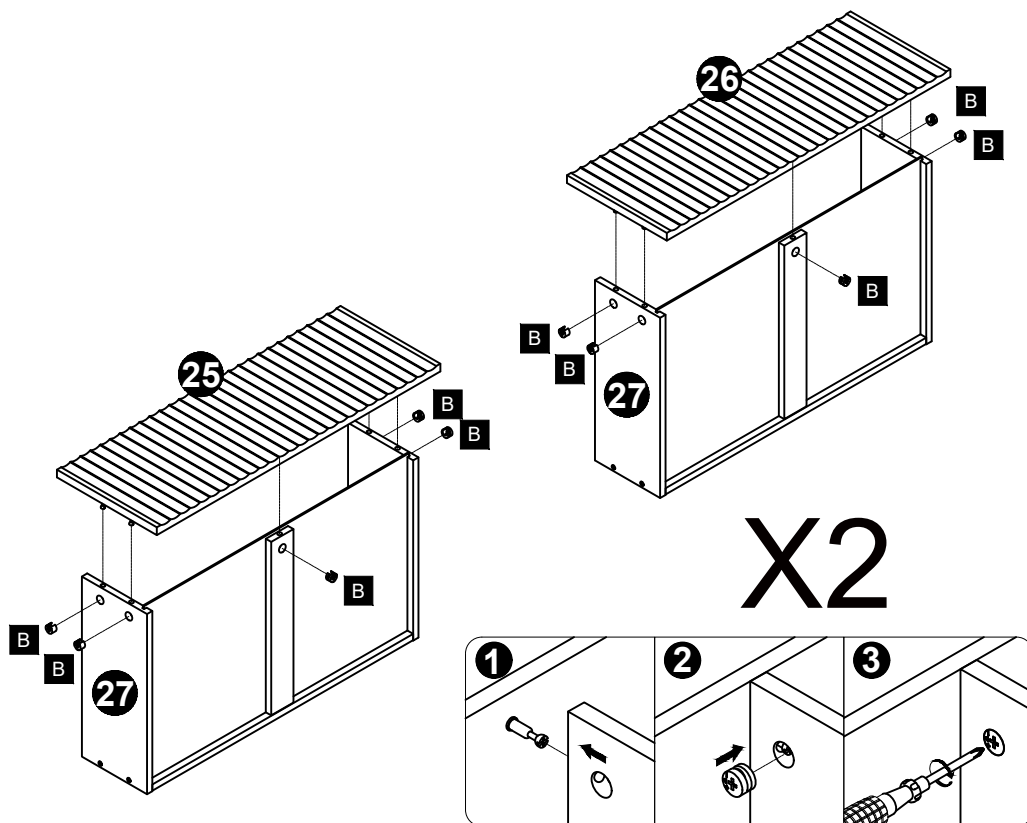
X4

A X20



X2

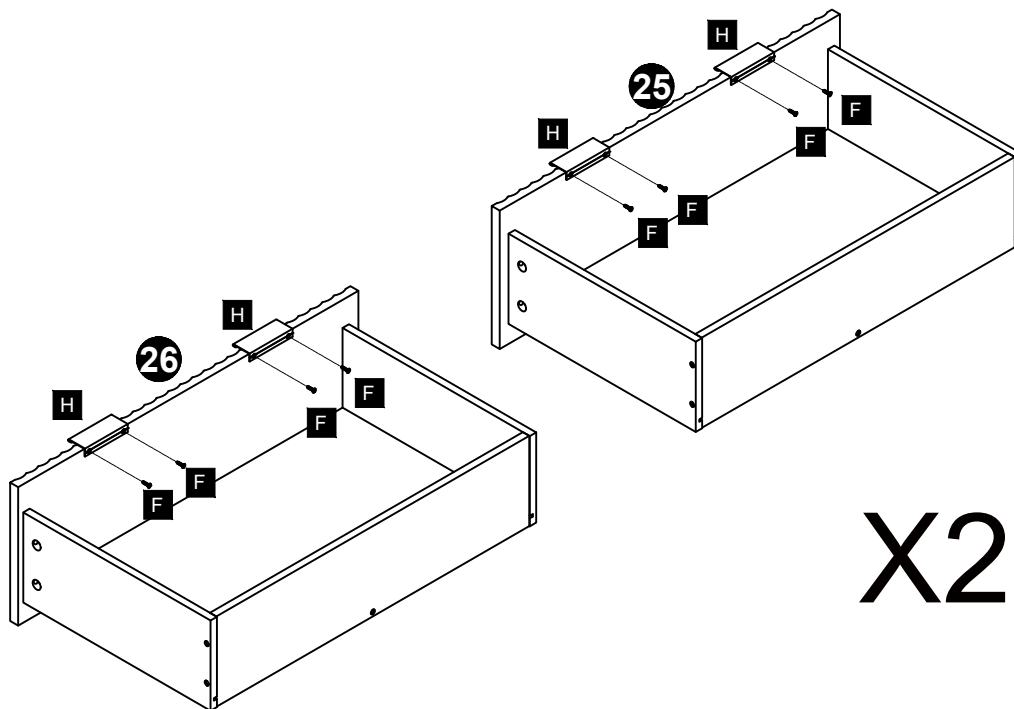
B X20



X2

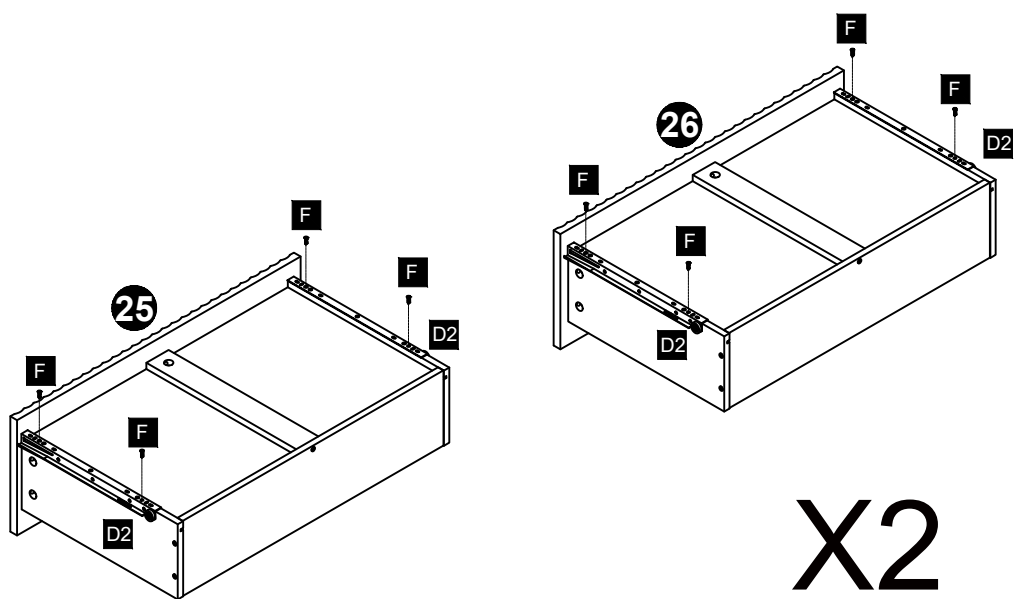
F X16

H X8

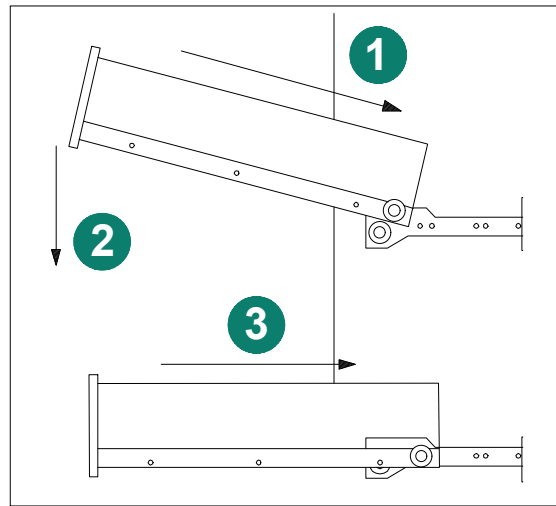
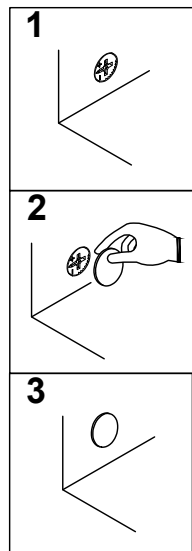
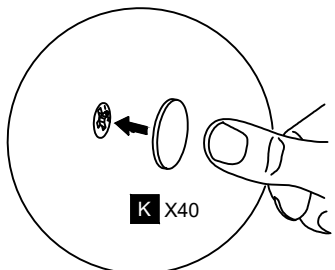
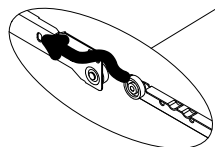
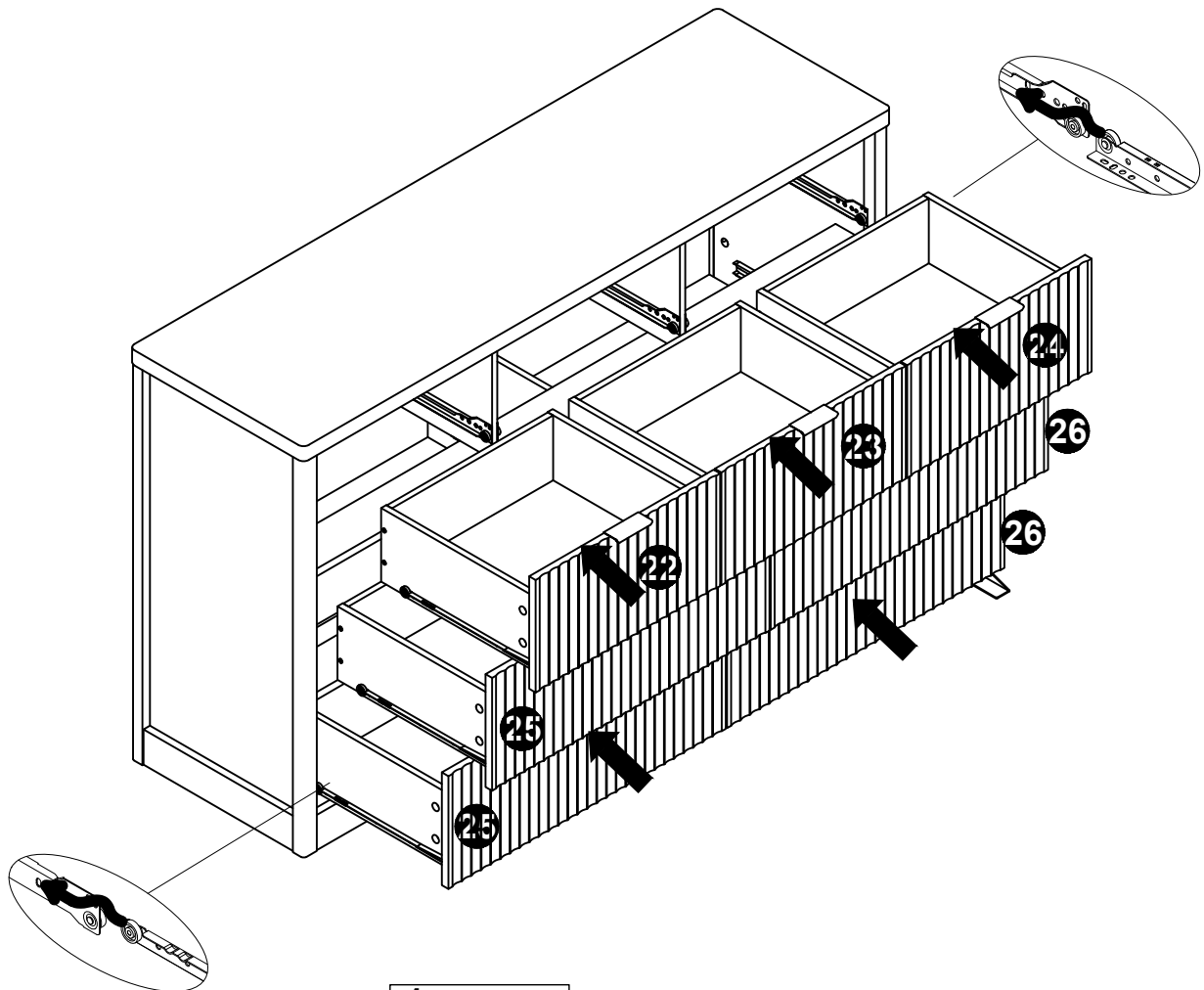


X2

F X16



X2



Assembly is complete.