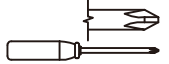



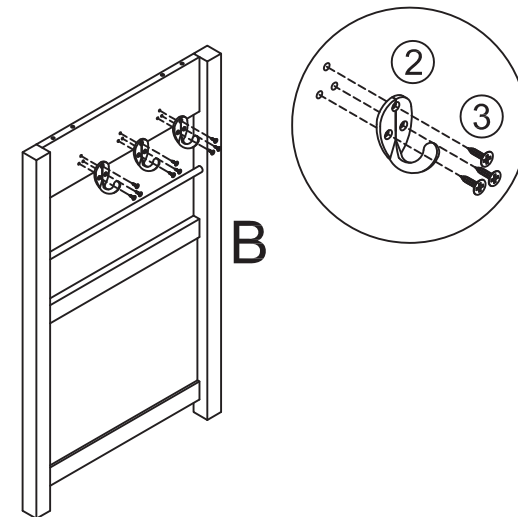
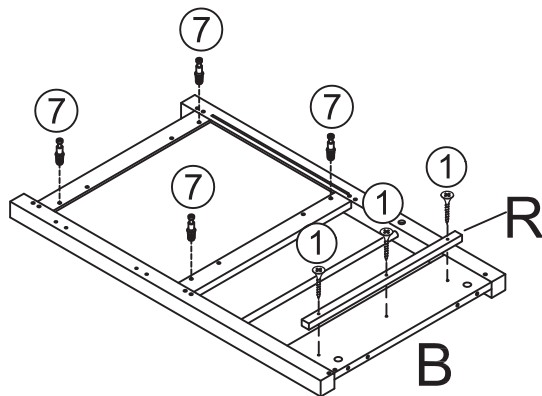
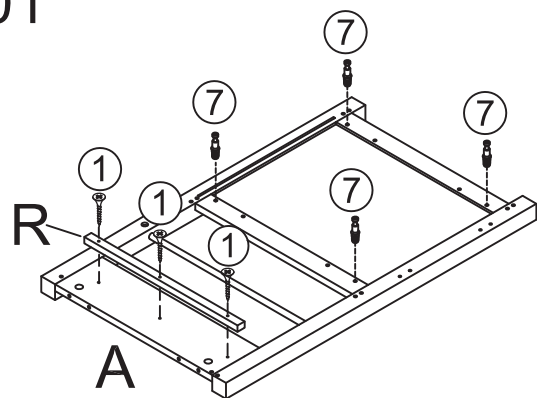
A	1pc	B	1pc	C	1pc	D	1pc	E	1pc	F	2pcs
G	1pc	H	1pc	I	1pc	J	1pc	K	1pc	L	2pcs
①	8pcs	②	3pcs	③	34pcs	④	36pcs	⑤	1pc	⑥	8pcs
⑦	16pcs	⑧	16pcs	⑨	6pcs	⑩	2pcs	⑪	2pcs		
⑫	1pc	⑬	4pcs	⑭	3pcs	⑮	6pcs	⑯	2pcs	⑰	4pcs

N	1pc	O	1pc	P	1pc
Q	2pcs	R	2pcs		

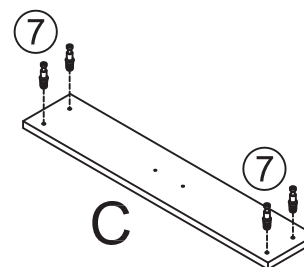
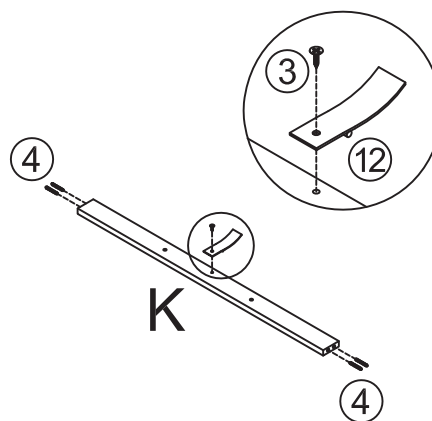
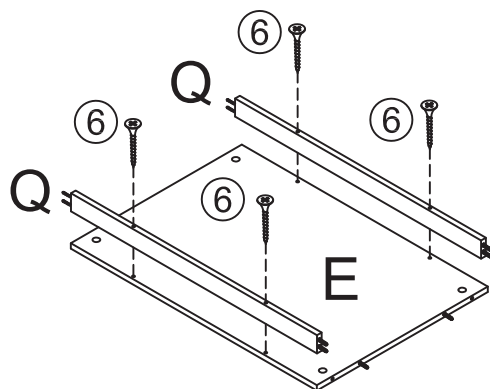
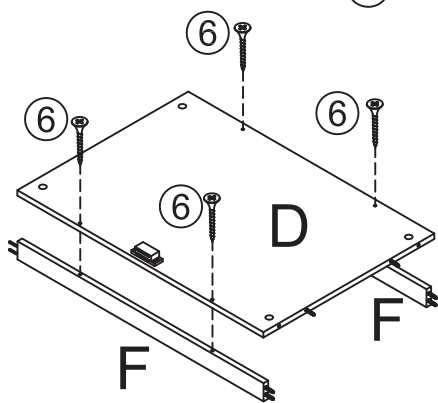
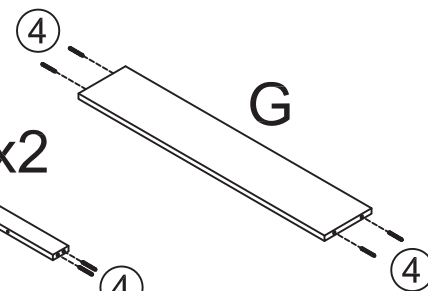
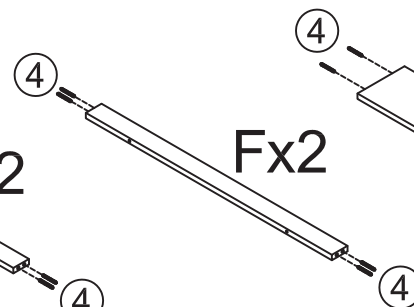
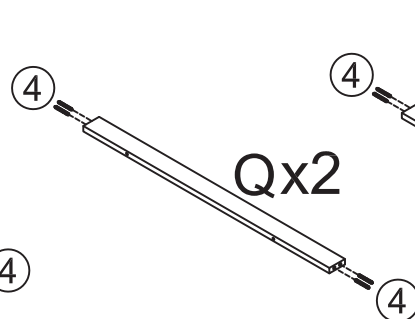
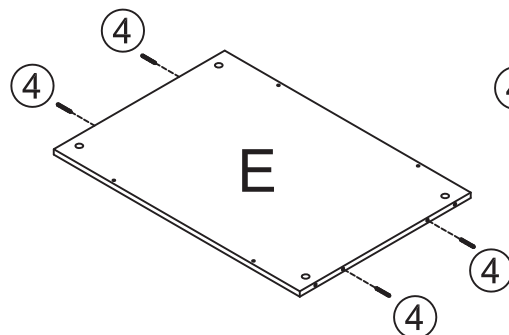
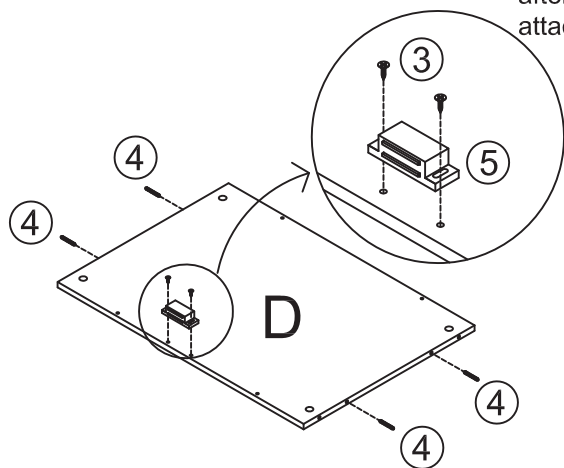

  
 No.2 Phillips Screwdriver  
 Tip Shown Actual size  
 Screwdriver not included


  
 Skip the power trip.  
 This time.

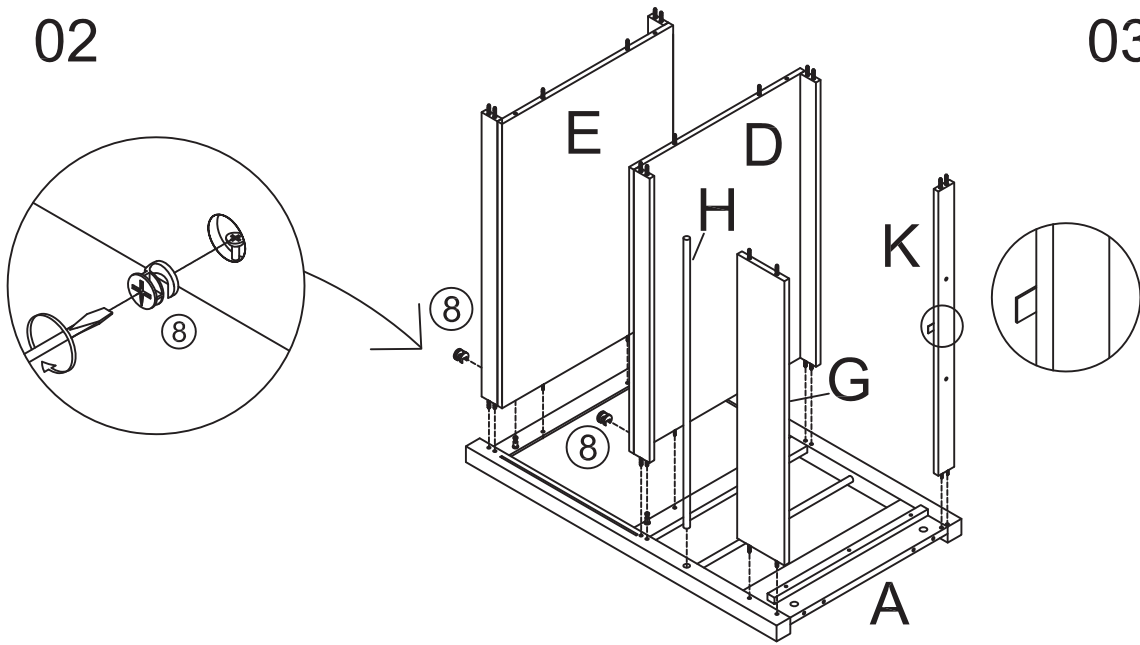
01



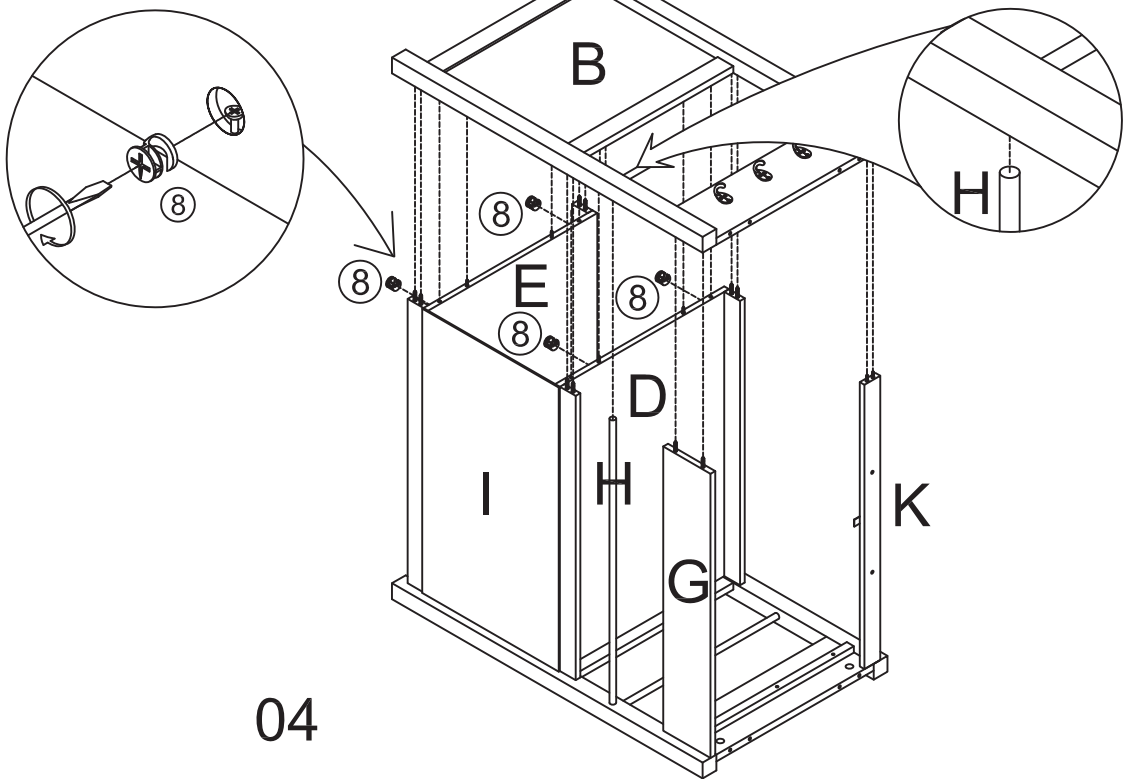
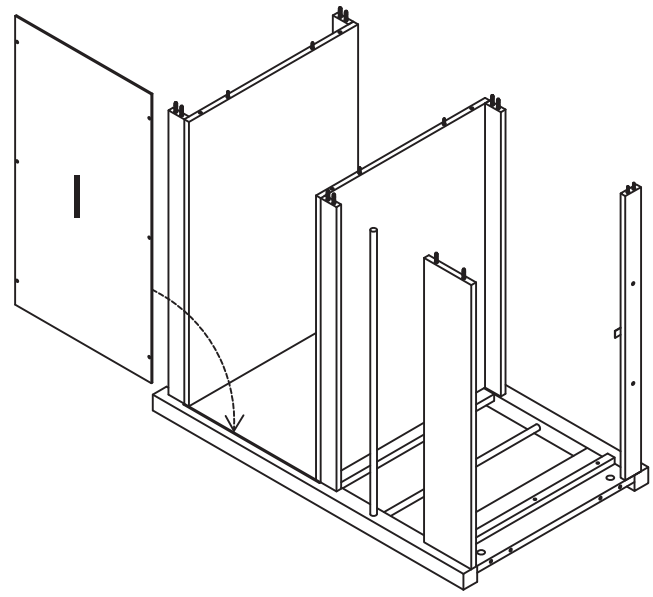
Attach the magnet loosely, make adjustment to the magnet as needed after the doors attached.



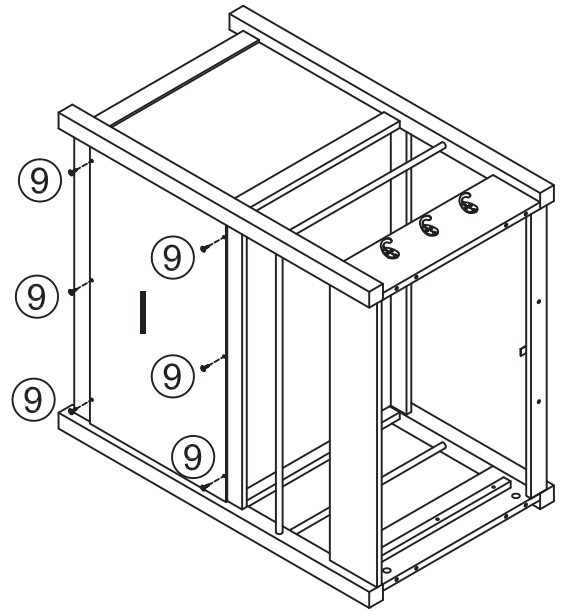
02



03

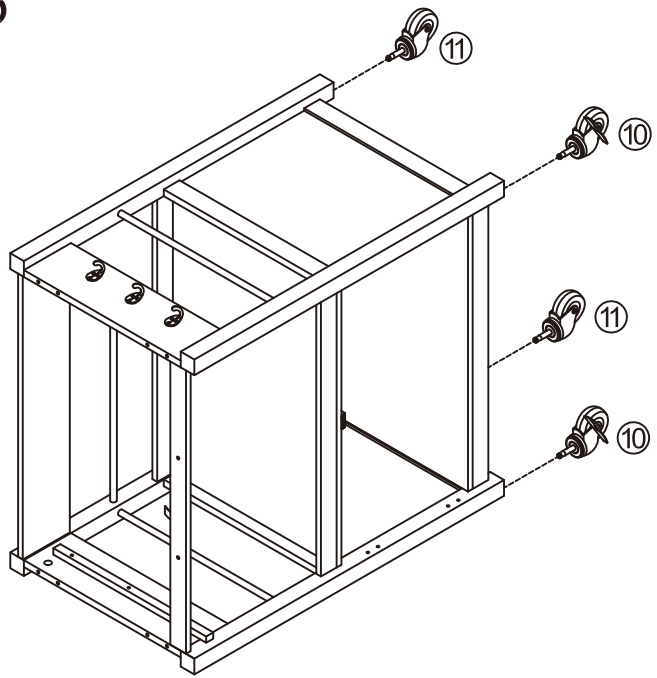


04

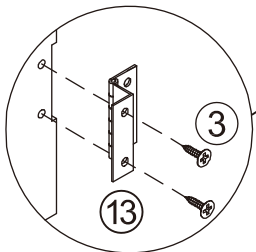
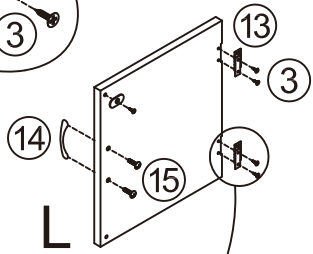
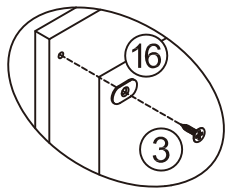
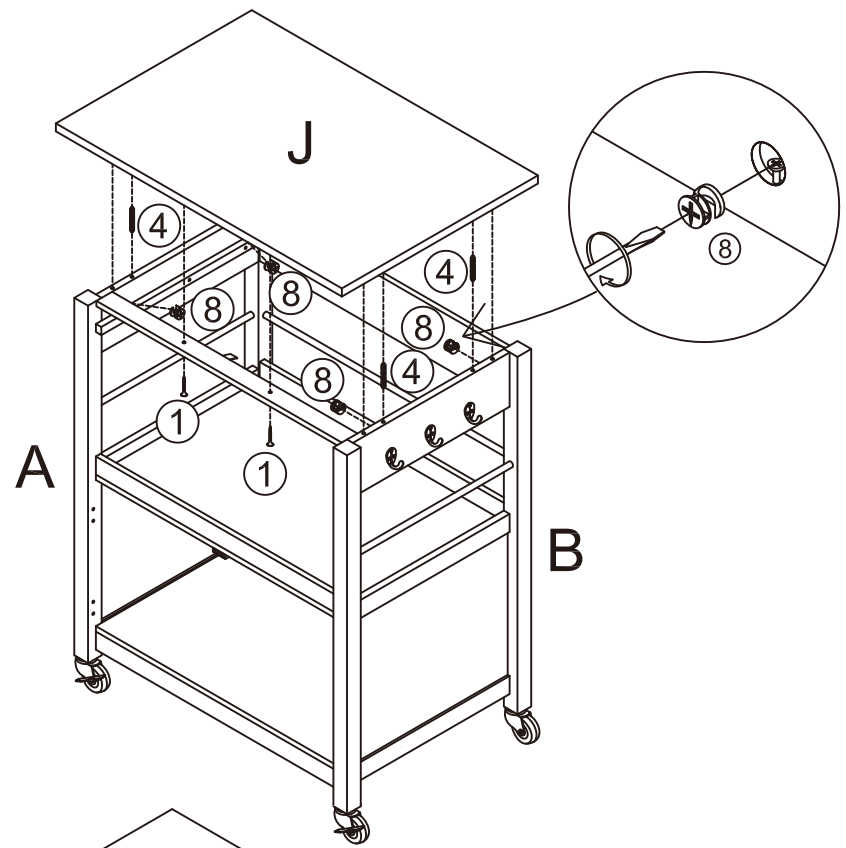
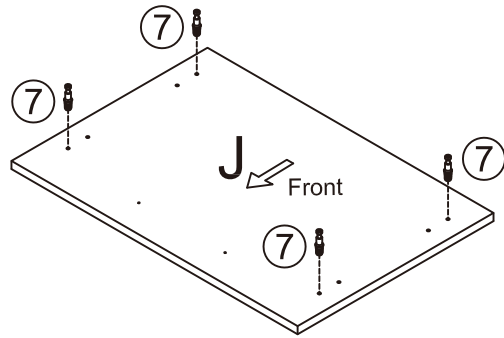


05

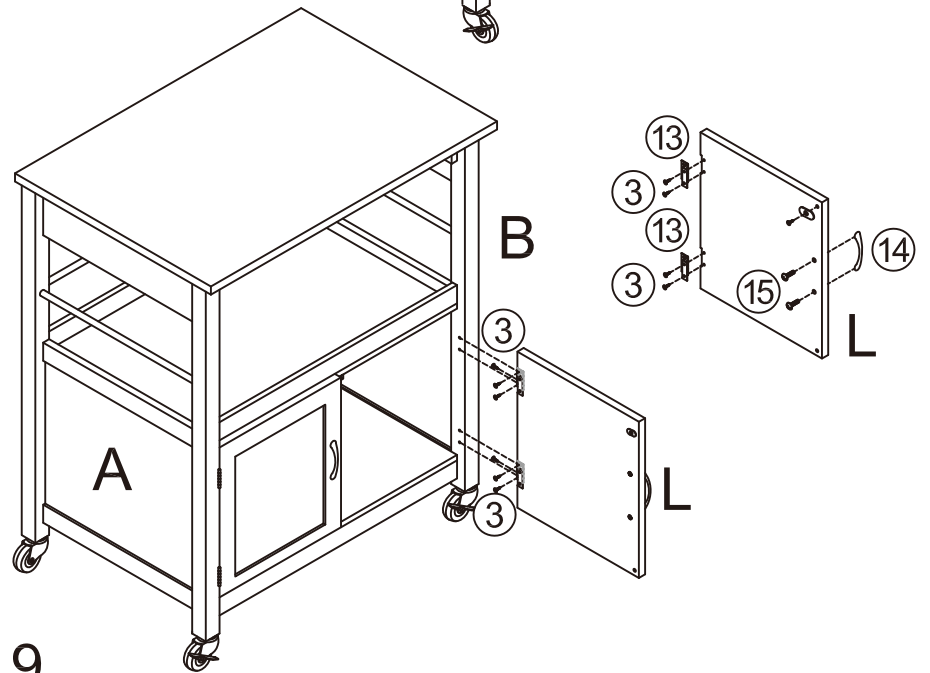
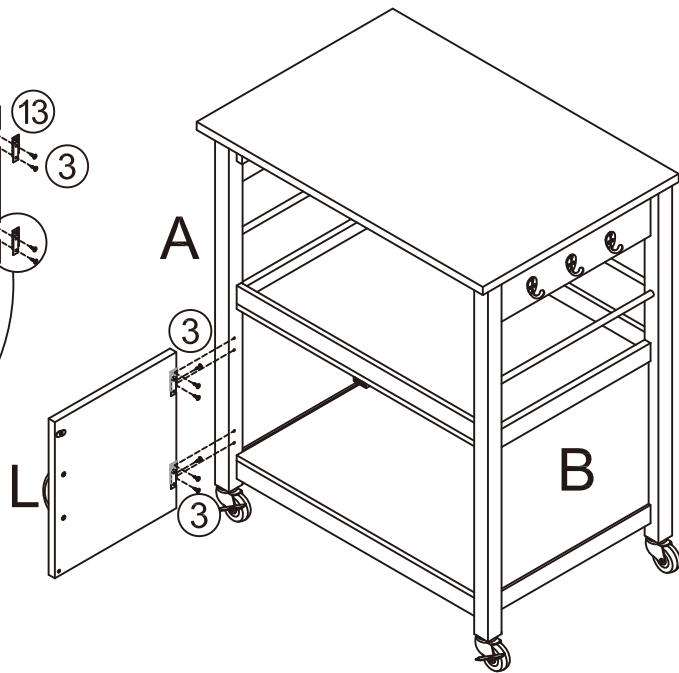
06



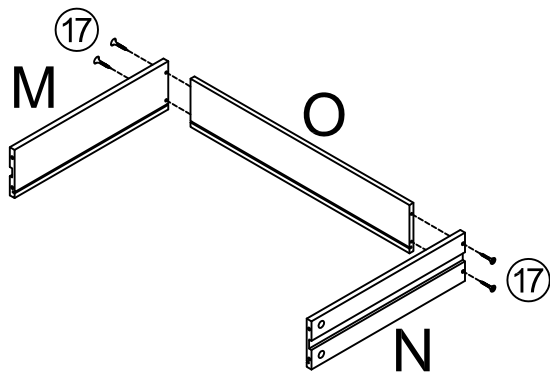
07



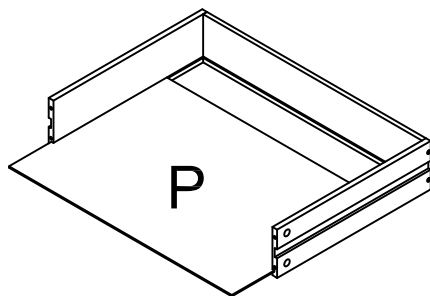
08



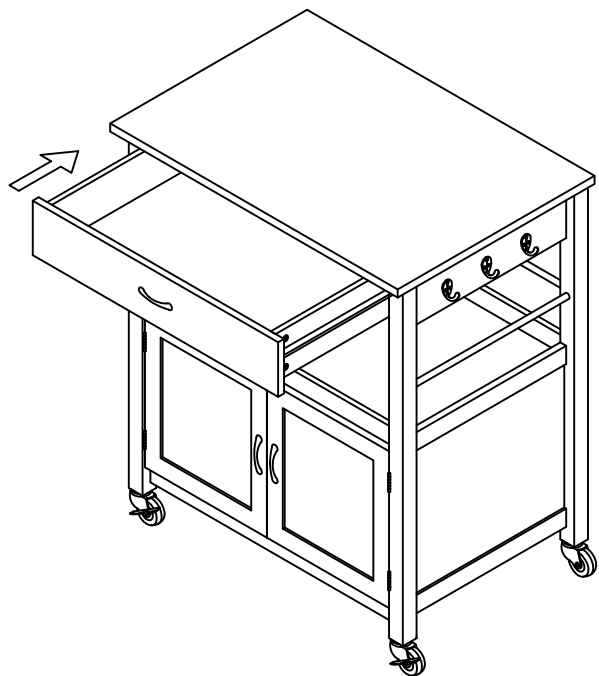
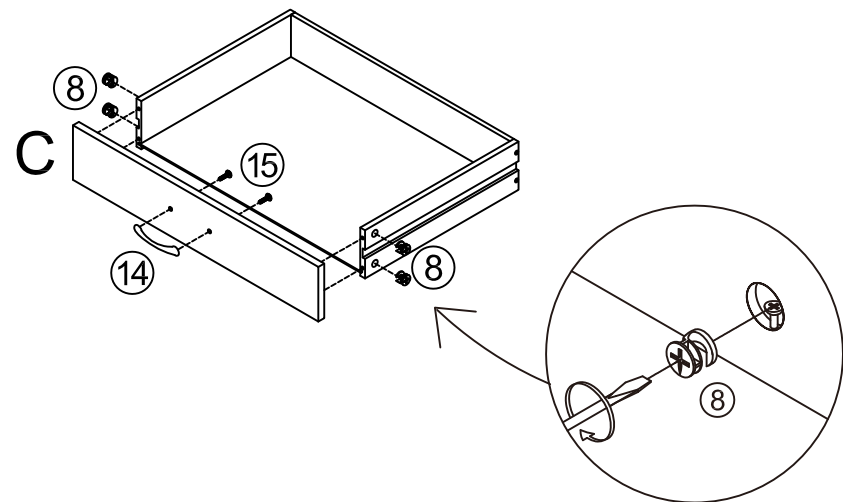
10



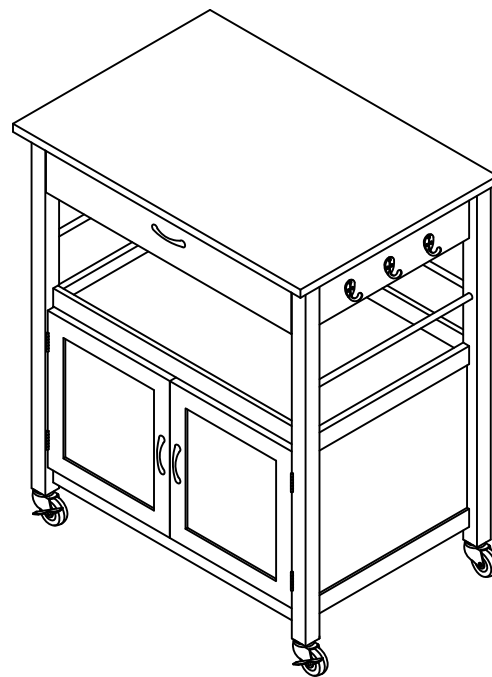
11



12



13



14