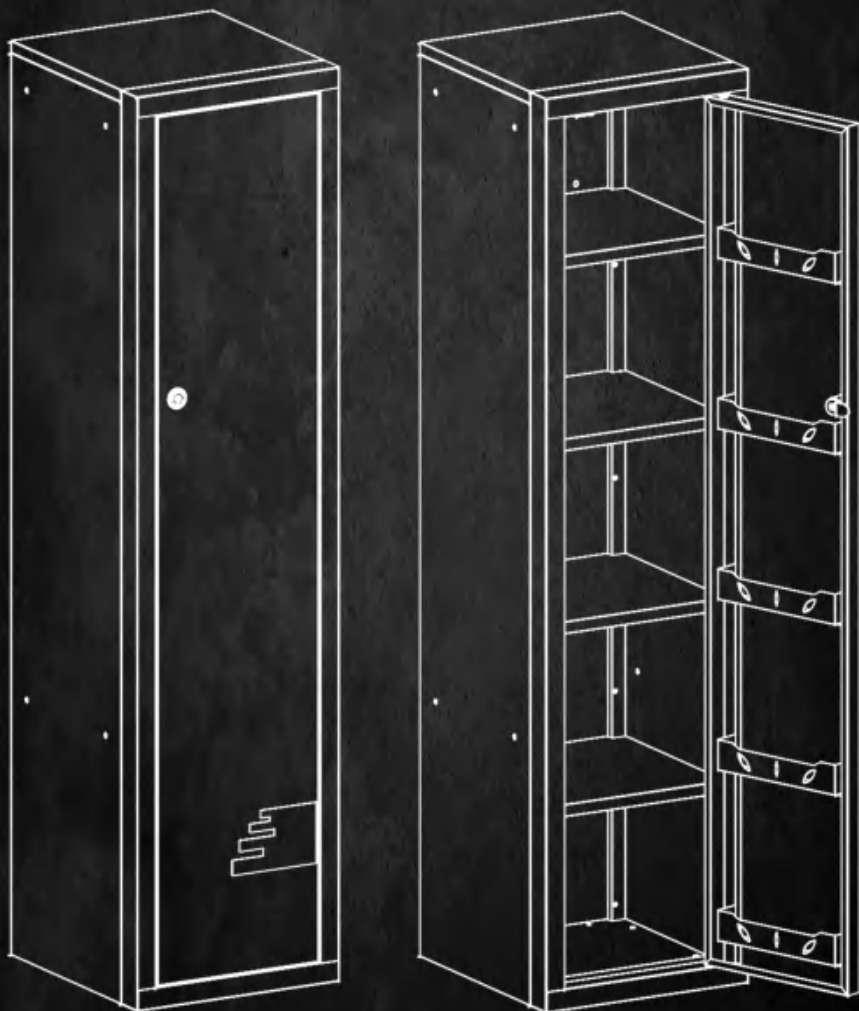


ELECTRONIC GUN SECURITY CABINET

INSTRUCTION MANUAL

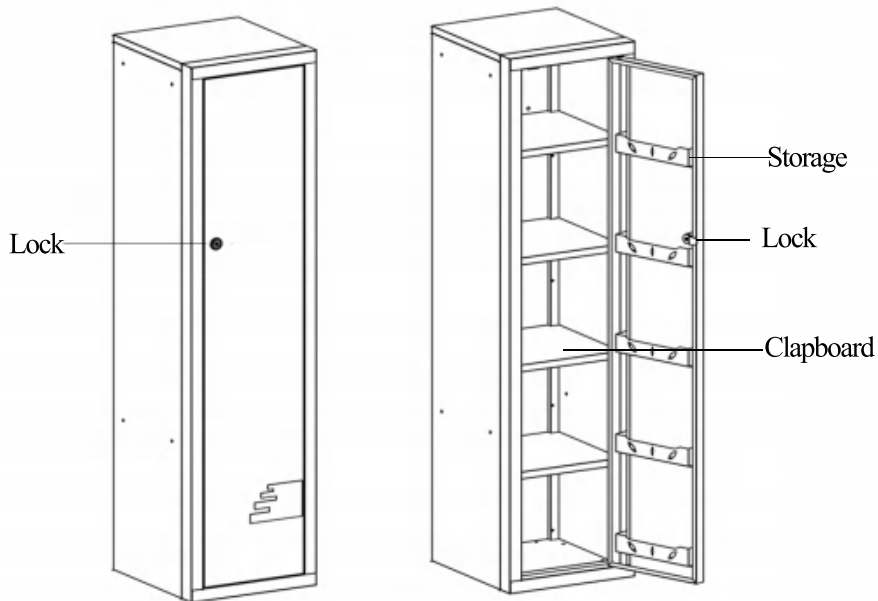


Keep children or unauthorized persons away from your guns

COMPONENT DESCRIPTION

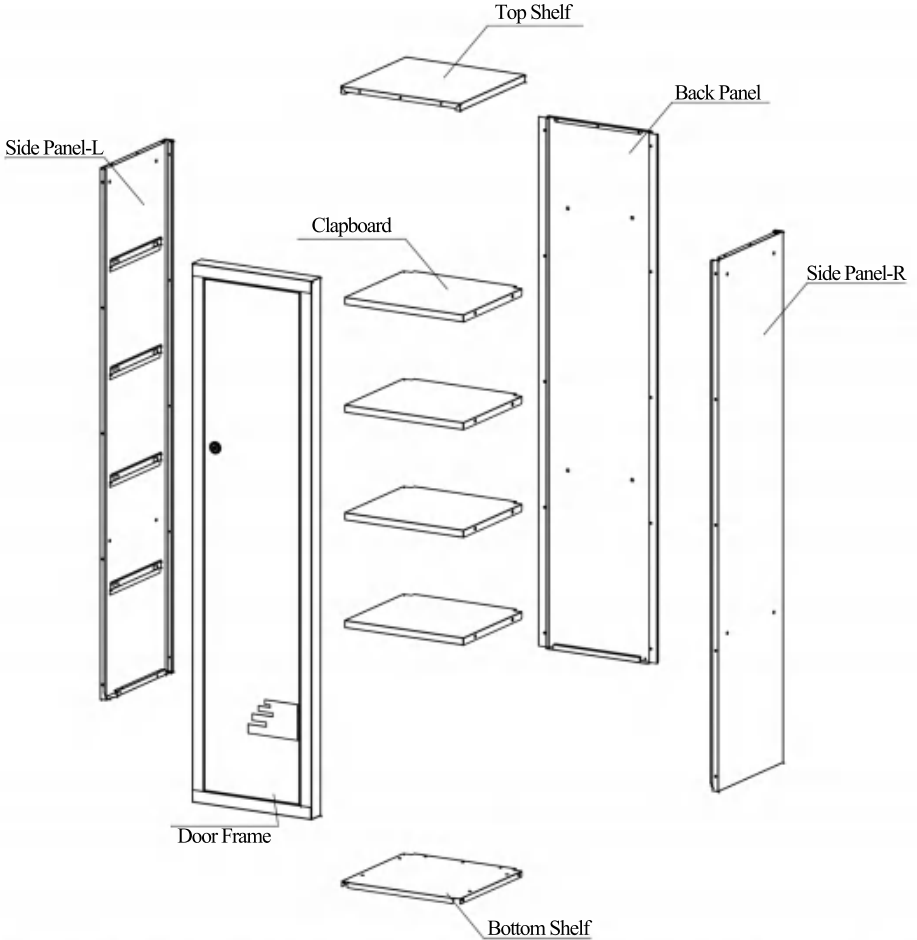
Hi friend,

Thank you for your purchase, please take a few minutes to read the instruction manual for better use of the product.



<p>Door Frame 1PC</p>	<p>Back Panel 1PC</p>	<p>Side Panel -L 1PC</p>	<p>Side Panel -R 1PC</p>	
<p>Top Shelf 1PC</p>	<p>Bottom Shelf 1PC</p>	<p>Clapboard 1PC</p>	<p>Self-tapping Thraed 39 Pcs</p>	
<p>Screwdriver 1PC</p>	<p>Gloves 1Pair</p>	<p>Expansion Bolt 4PCS</p>	<p>Key 2PCS</p>	<p>Instruction 1PC</p>

STRUCTURAL SCHEMATIC



- Check the materials to make sure they are working correctly and are not damaged.
- Refer to the illustrations to identify the parts and accessories of the gun cabinet.
- If any parts are missing or goods are damaged, please contact us, and we will provide you with a satisfactory solution.



WARNING



Tip Over Hazard

- Please secure the gun safe to a wall or floor before use to prevent children or adults from tipping the safe over and causing death or serious injury.
- Children should not play around the safe at any time.

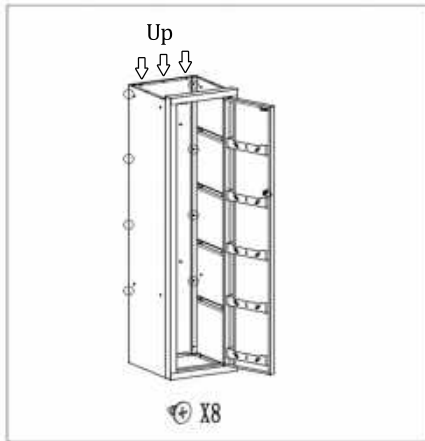
INSTALLATION INSTRUCTIONS

Step 1:



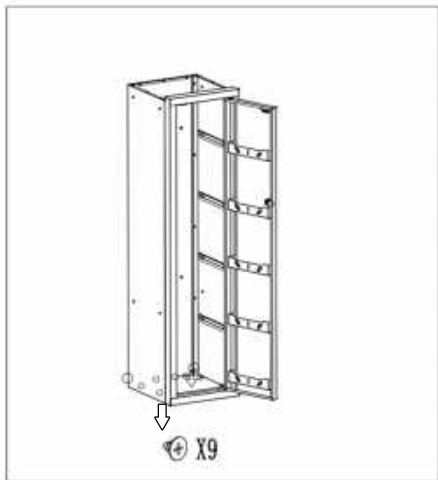
Connect the left and right side panels and front door panels with self-tapping screws. (note: leave the bottom screw uninstalled)

Step 2:



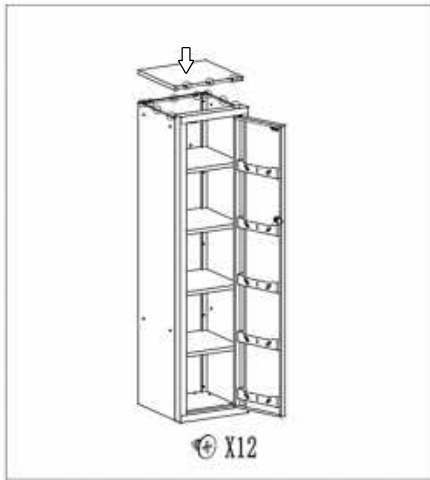
Connect the left and right side panels and back panel with self-tapping screws (open the door panel), note: leave the bottom screws uninstalled)

Step 3:



Connect bottom plate to the front door frame and left and right side panels with self-tapping screws. At the same time, install the screws not installed in the previous two steps

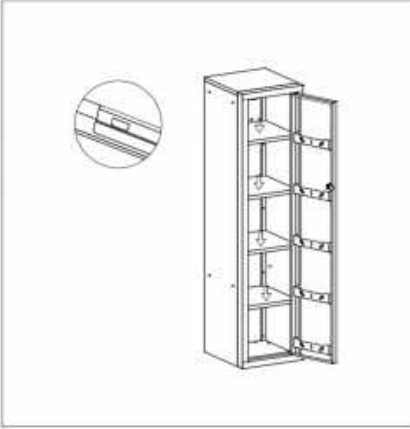
Step 4:



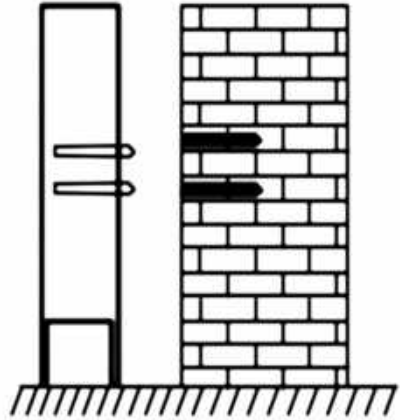
Install the top plate and internally connect the bottom plate with the front door frame and the left and right side panels using tapping screws.

INSTALLATION INSTRUCTIONS

Step 5:



Place the layers in sequence from bottom to top, and clamp them into the side bracket, and the installation is complete



Expansion screws can be threaded through pre-drilled holes in the safe to secure it anywhere.

Hi, my order number is 111-*****, I have problems with.....



Dear Customer.

Thank you very much for contacting us through your e-mail address.

You are now our VIP member!

Could you please describe your problem in detail?

Attach a picture so we can solve it faster.

We will provide you with a perfect solution.

Best wishes to you!



Please email us to get a special VIP discount code before your next order.



Problem with the order? Please email us, give us a chance to help you firstly.



Do you love your new product? Help others find it by leaving a product comment online!