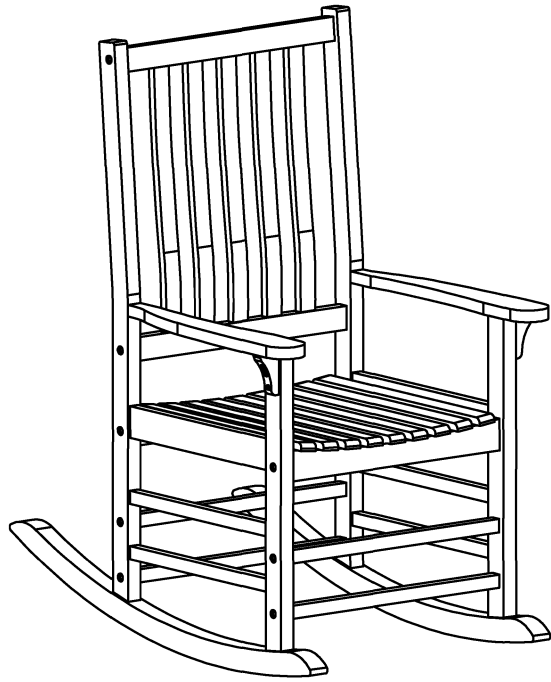
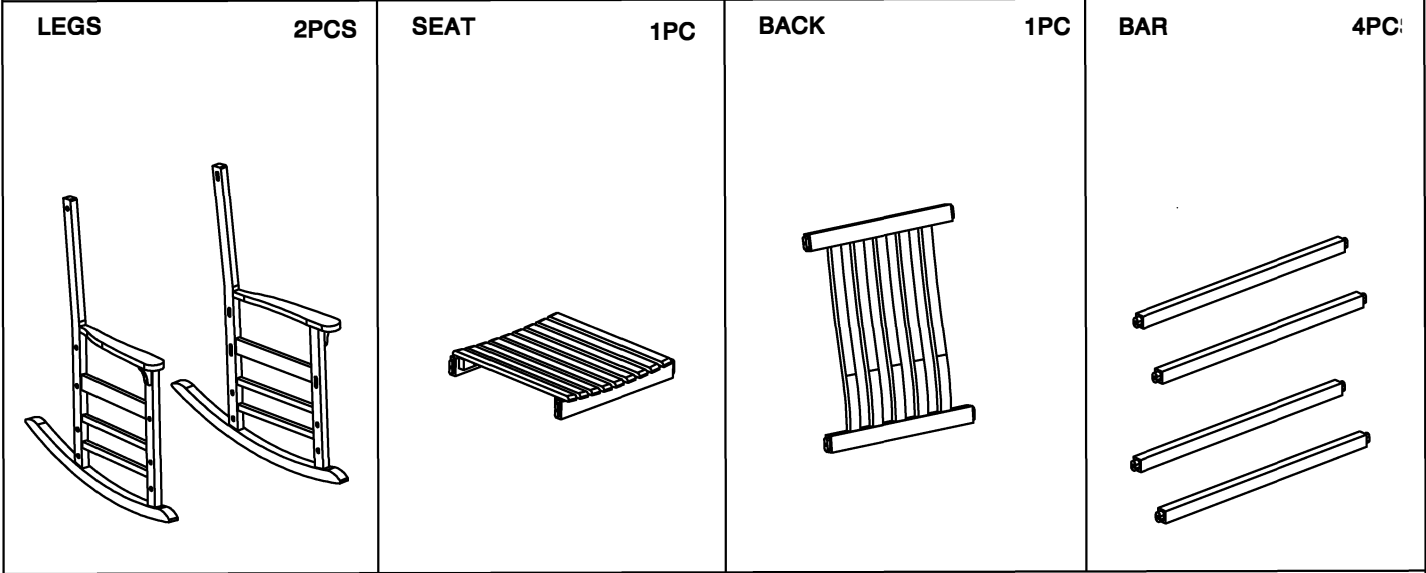

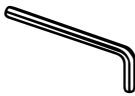


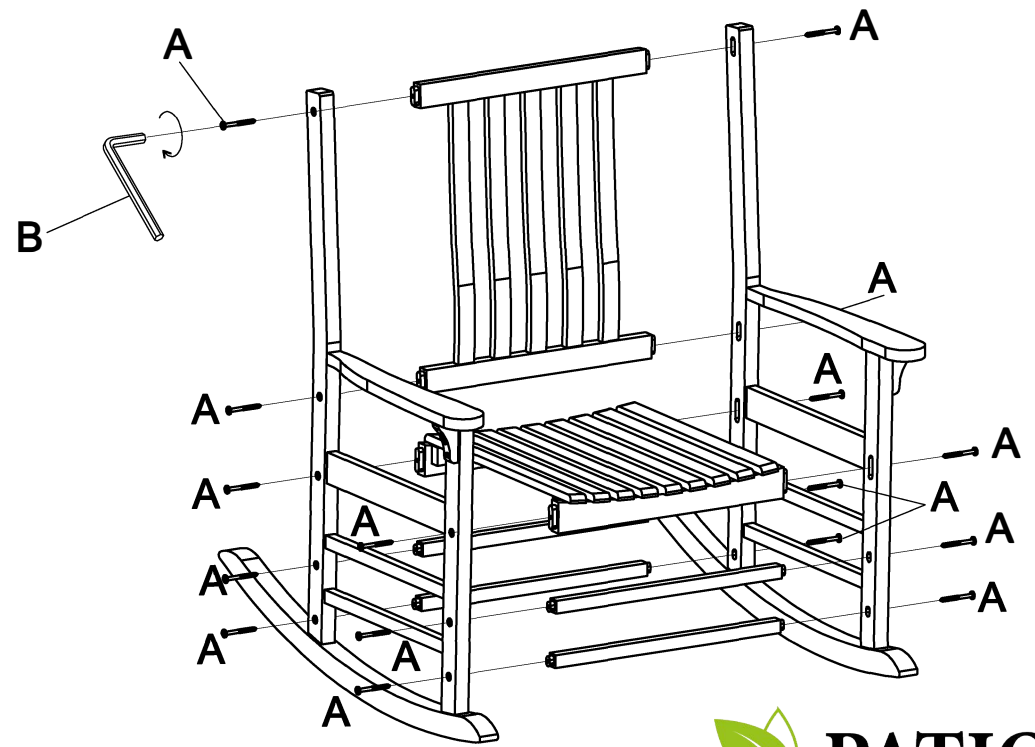
DESCRIPTION



ASSEMBLY INSTRUCTION



No.	Hardware list	Q.Ty
A	 M7x70x15	16 Pcs
B	 M4	2 Pcs



NOTE:

- Read all instructions before starting
- Do not tighten using power tools
- No additional tools required
- Do not completely tighten any bolts until the unit is fully assembled and sitting on a level surface

Thank you for purchasing this product. With some simple care and maintenance, you'll be able to enjoy this product for many years.

This product has been treated with an oil based sealer. If used outdoors, we recommend re-sealing this product with an oil-based water-proof sealer each season to increase it's life expectancy and maintain it's original look. Cover this product or move it indoors during harsh weather to prevent excessive weathering.

Warnings!!

- Use care when assembling or moving this product to avoid personal injury
- Only use on a level surface. Never use on uneven ground.
- Always check for cracks or damage before using. If any are detected DO NOT USE.
- Never stand on chair
- Never sit down hard on chair
- Never lean back on chair
- Never jump on chair
- Do not use chair when under the influence of alcohol or drugs
- Maximum Weight is **200 LBS**. Never exceed this weight
- Seller is not responsible for any injuries that may occur when using this chair.

Warranty:

- Limited one year warranty covering manufacturers defects
- For technical assistance please email **service@patiowise.com**