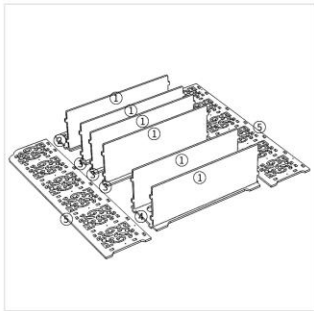
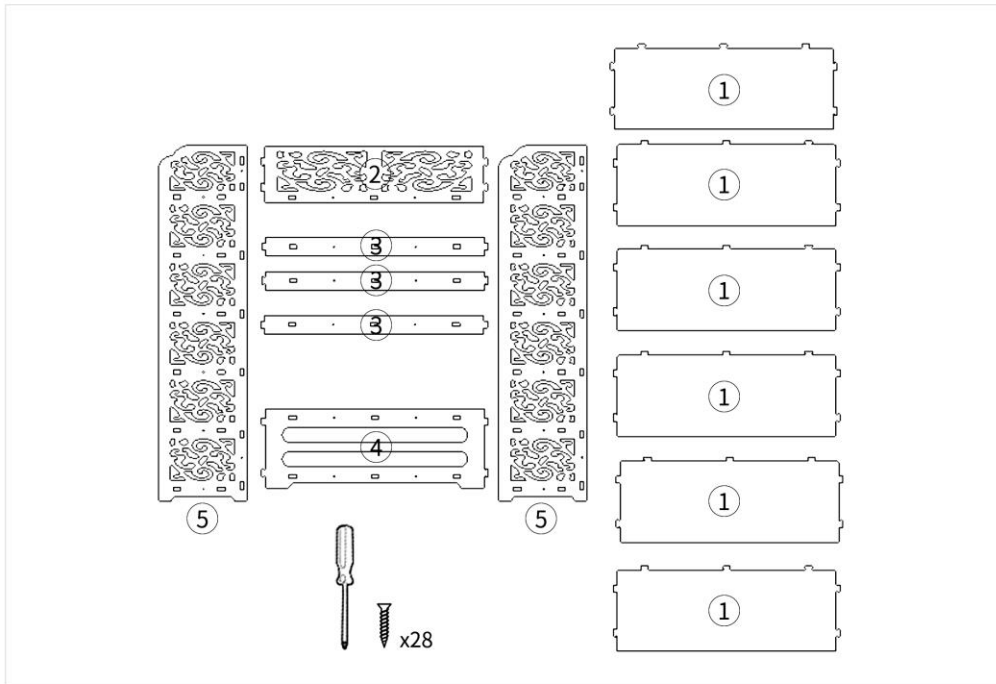
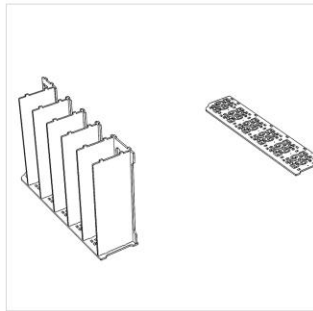


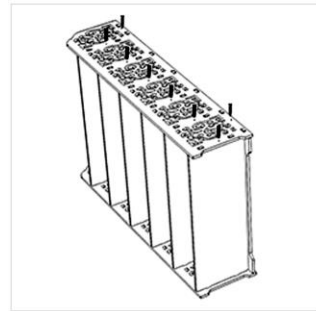
# INSTALLATION STEPS



1 First install the No. 1 board on the No. 2 board, No. 3 board, No. 4 board.



2 Install the previous step on the 5th board as shown.



3 Install the No. 5 plate according to the steps in this figure, and then fix the product with screws.



4 As shown, the entire product has been installed.