

M E L L O W

AMABEL
King

email: support@mellow-home.com

phone: 1.888.9MELLOW (1.888.963.5569)



MELLOW

MELLOW is a global design company committed to bringing delight & ease to your everyday by creating fine quality home furnishing essentials that are user-centric in principle, innovative in function, conscious in sourcing and approachable in prices.

Whether you're a fresh graduate graduating the dorm life, a couple figuring out how to combine two homes, a work-from-homer or a 'home is exclusively for rest' kinda' person, **MELLOW** cares about you and is focused on making your moments at home just right.

We travel around the world in search of ingenious industry experts and fine quality materials so that we can get you those thoughtfully-designed and consciously-made products essential to keeping it mellow.

MISSION

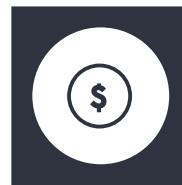
MAKE IT EASY TO CREATE A HOME



free shipping
always

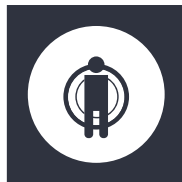


ready & easy
to setup



accessible
price range

MAKE HOME LIVING EASY & DELIGHTFUL



human centred
design

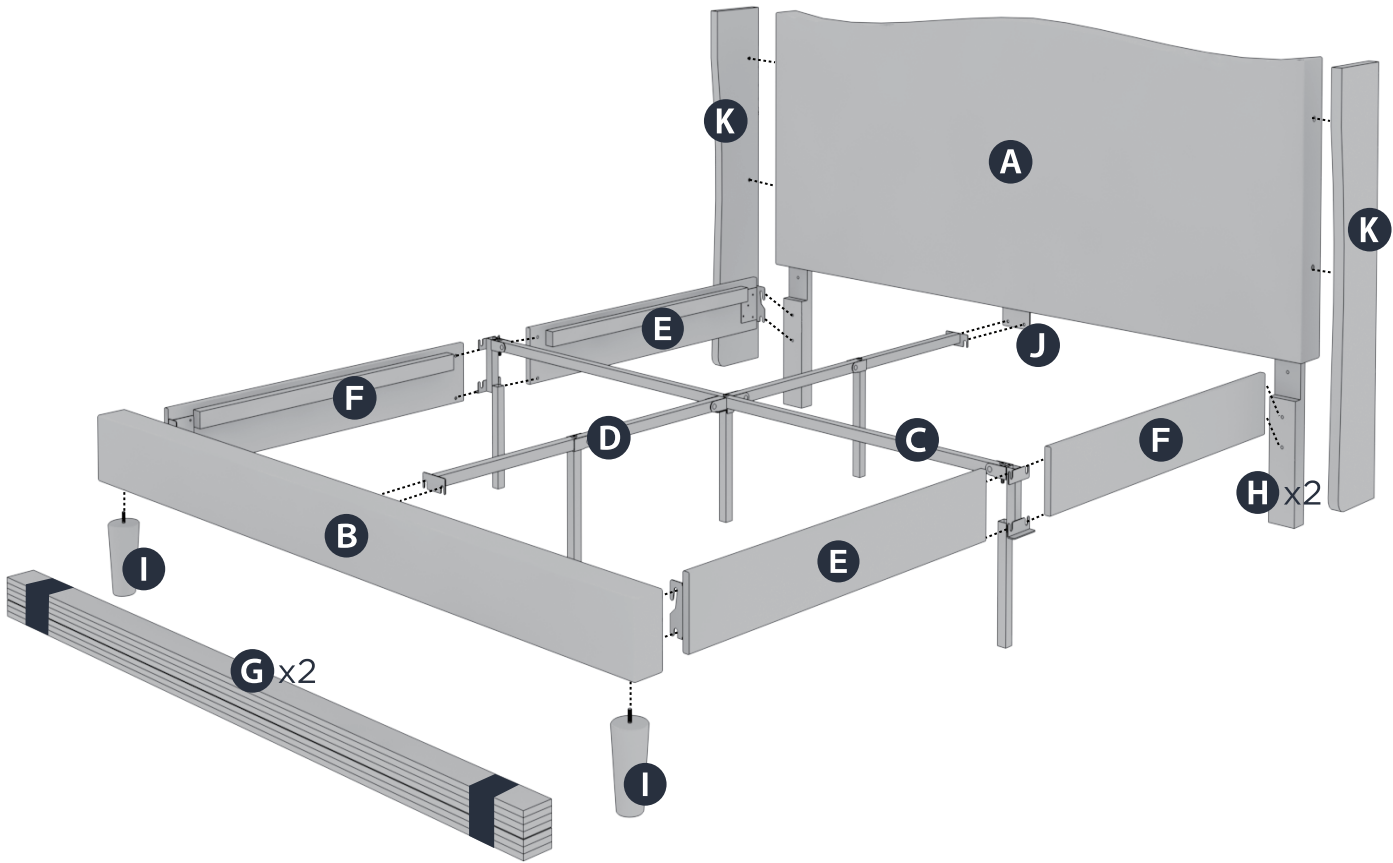


functions that
delight



safe sourcing
practices





AMABEL - King



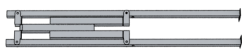
A x 1pc



B x 1pc



C x 1pc



D x 1pc



E x 2pcs



F x 2pcs



G x 2sets



H x 2pcs



I x 2pcs



J x 1pc



K x 1set



N x 4pcs



L x 9pcs



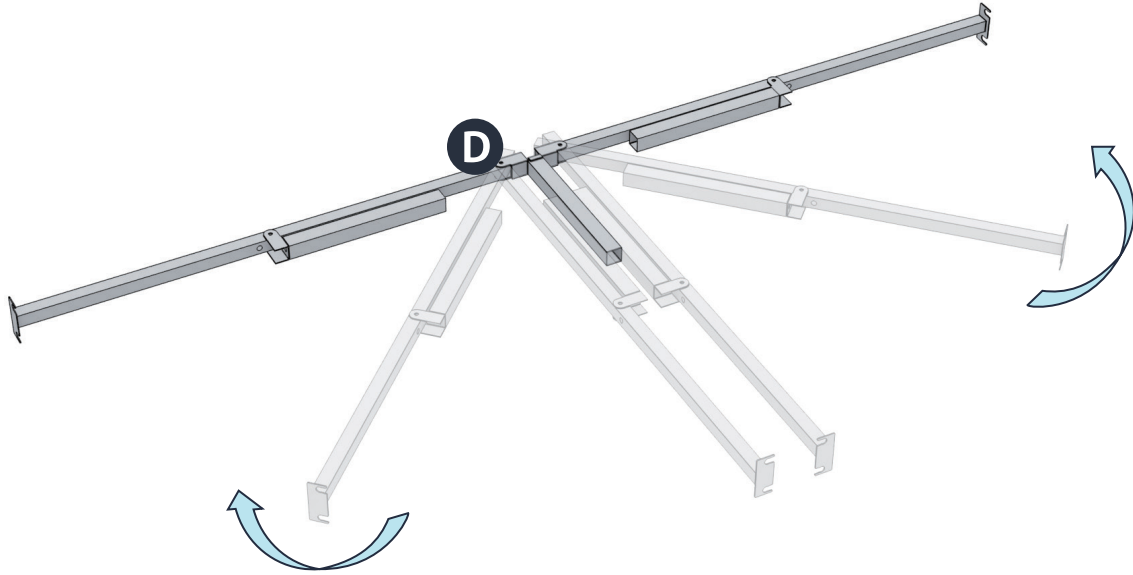
M x 2pcs



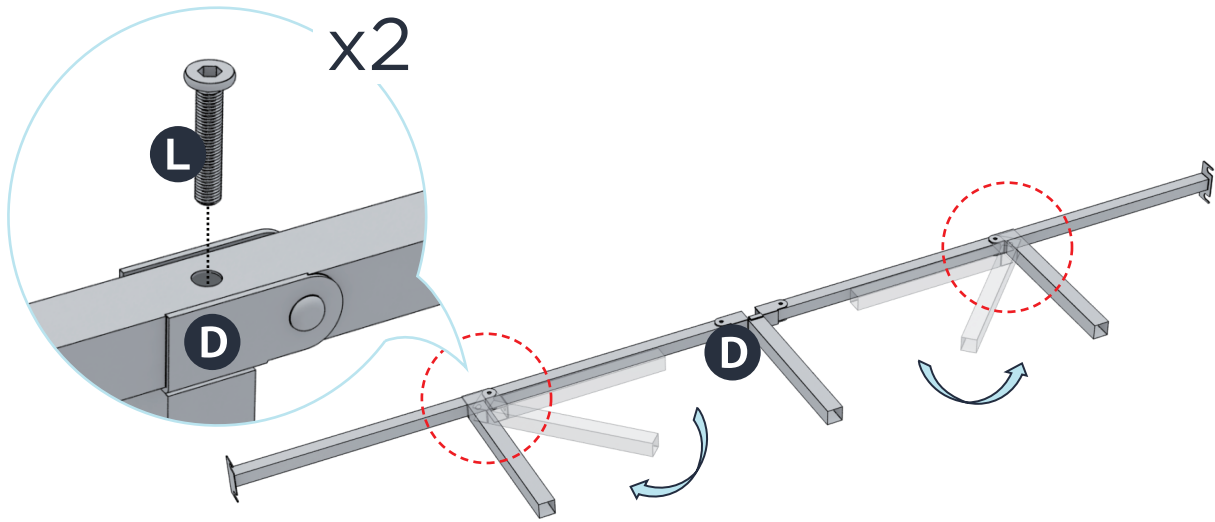
x 1pc



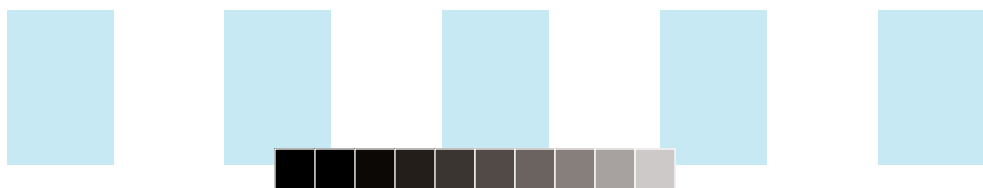
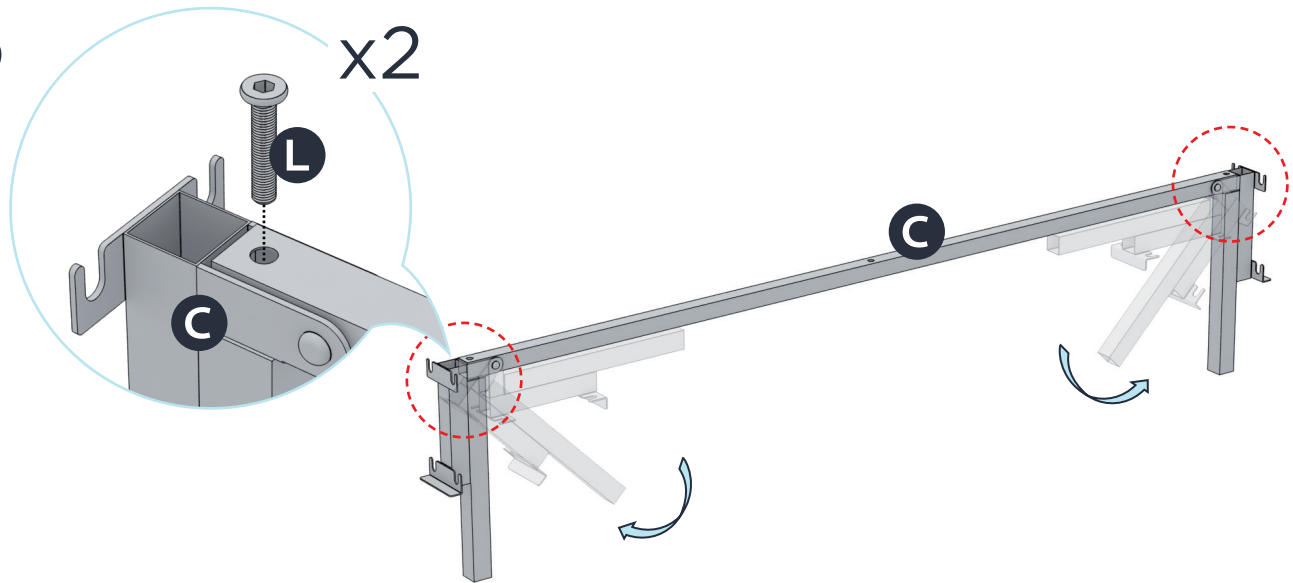
1



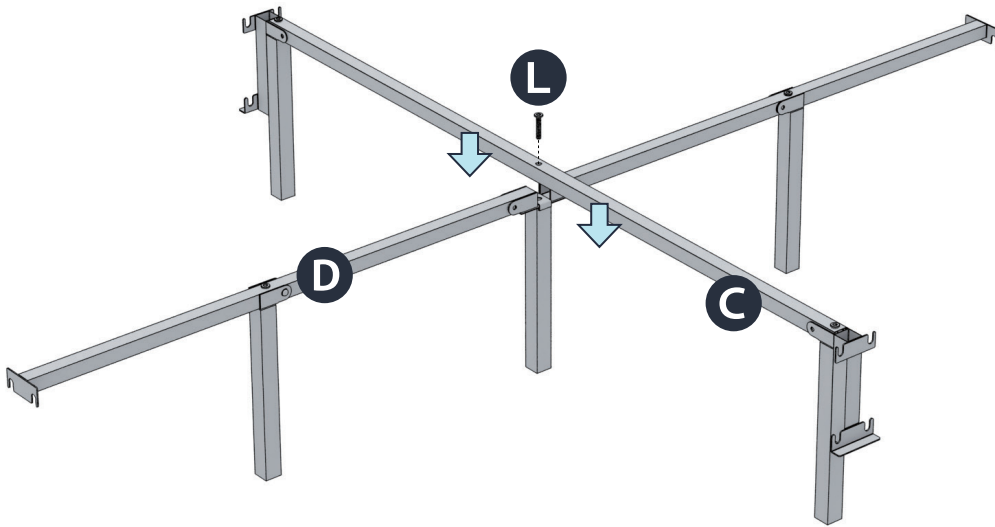
2



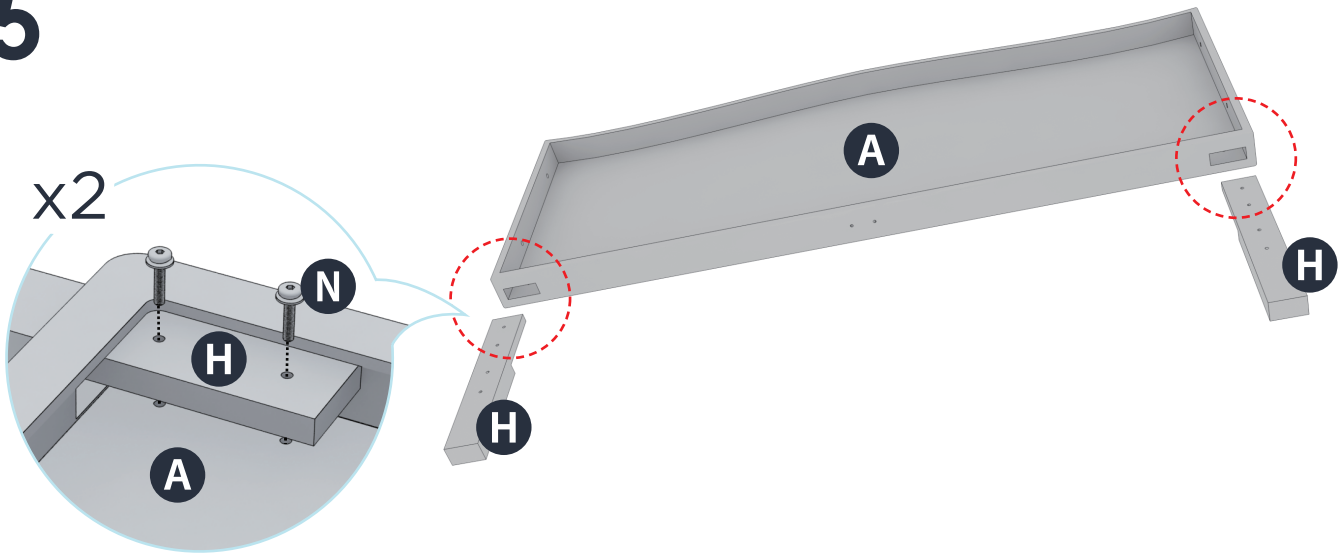
3



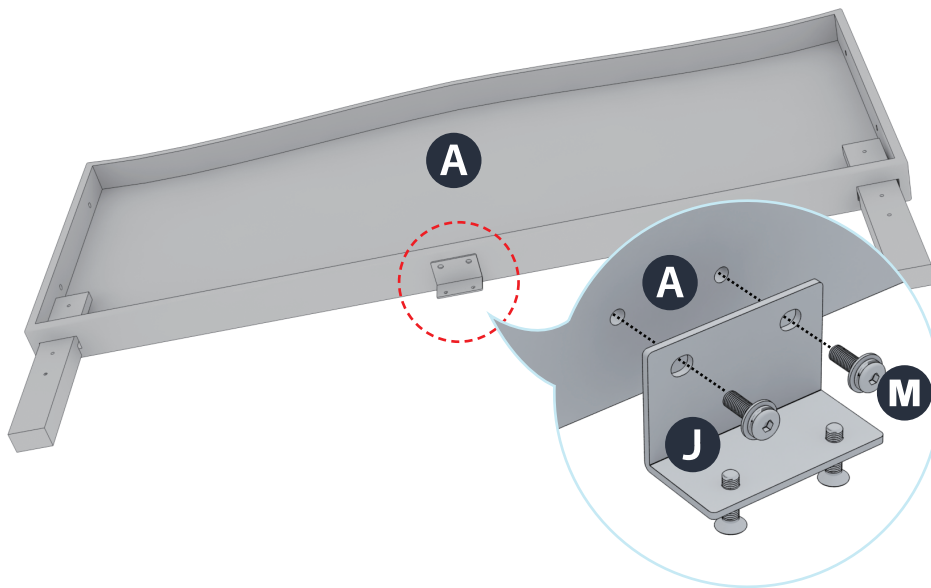
4



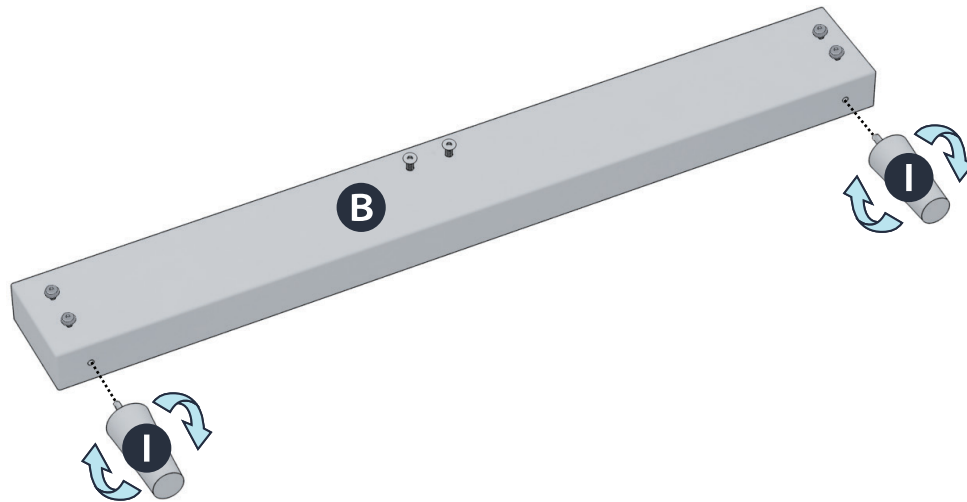
5



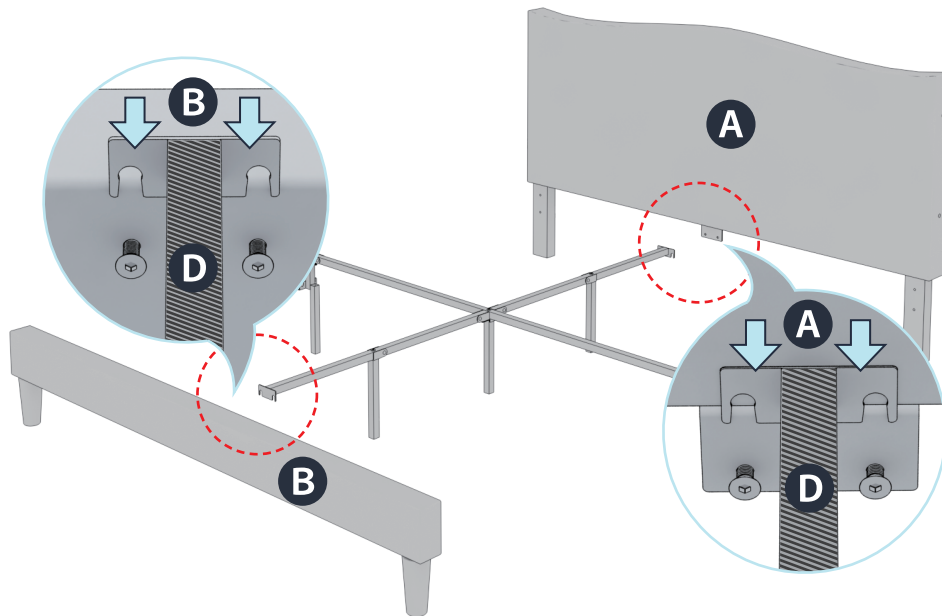
6



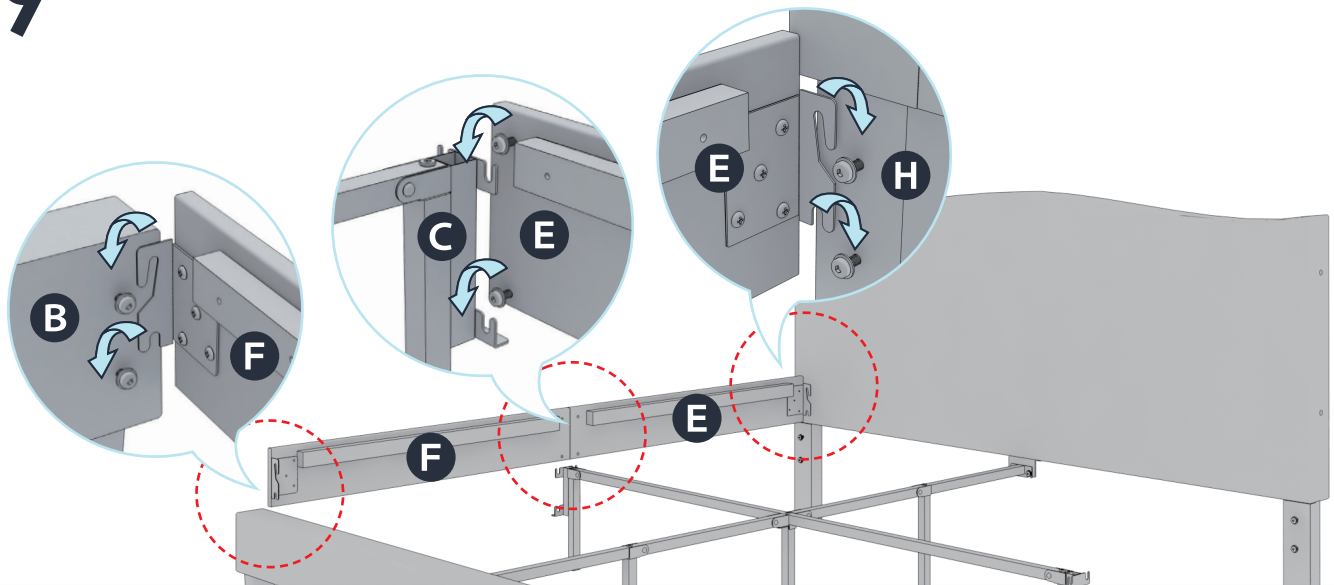
7



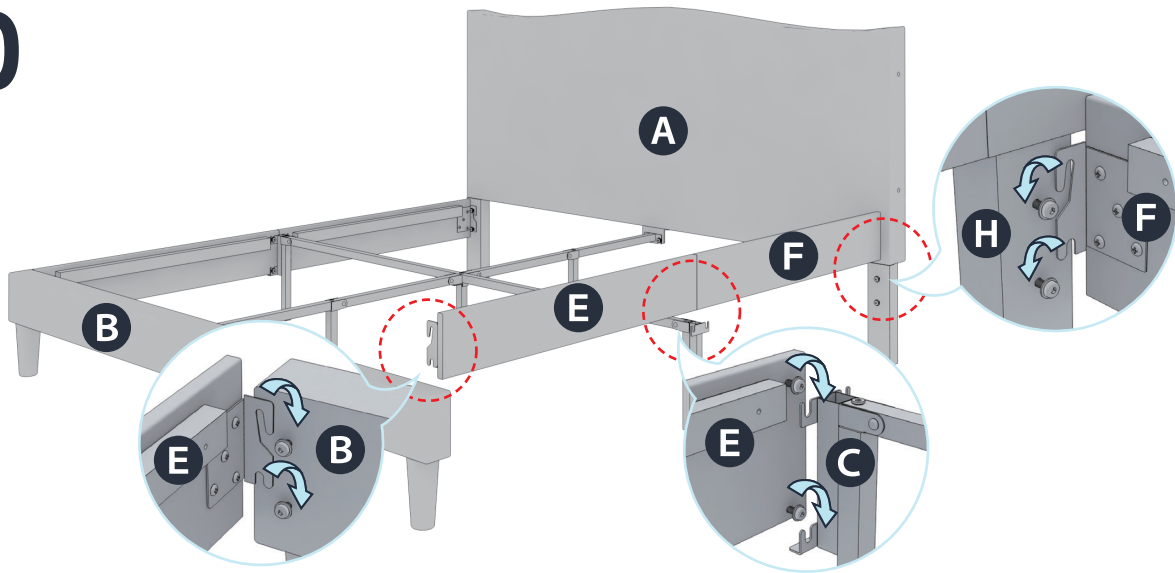
8



9

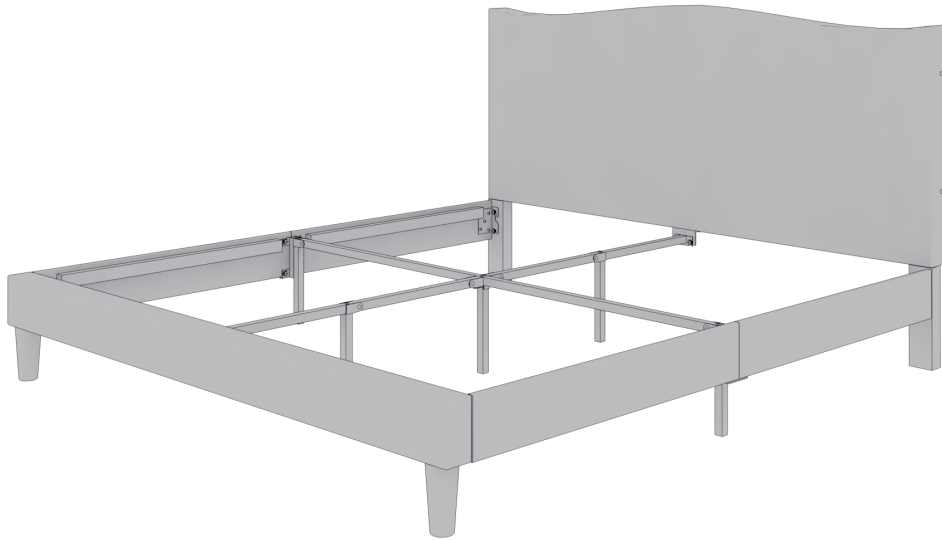


10

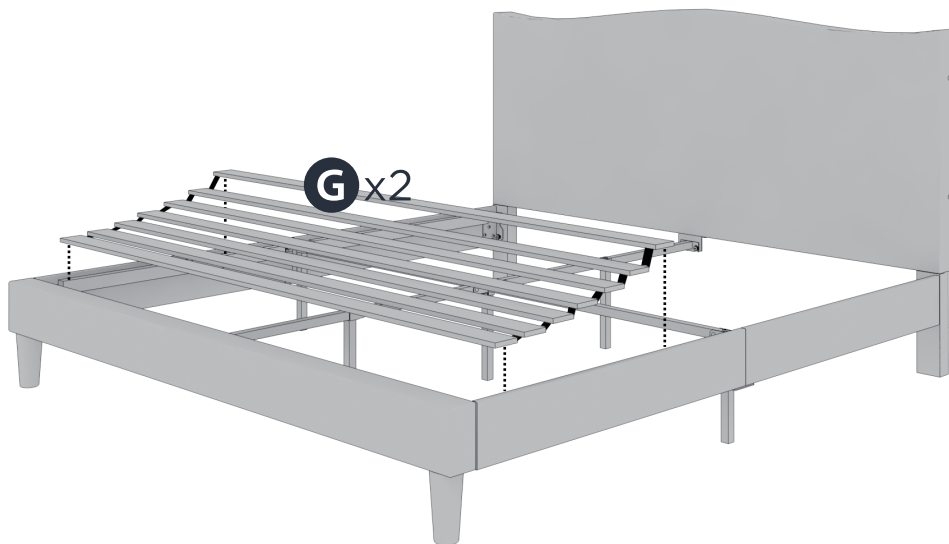


* Steps 8 - 10 : fully tighten after placing all side rails.

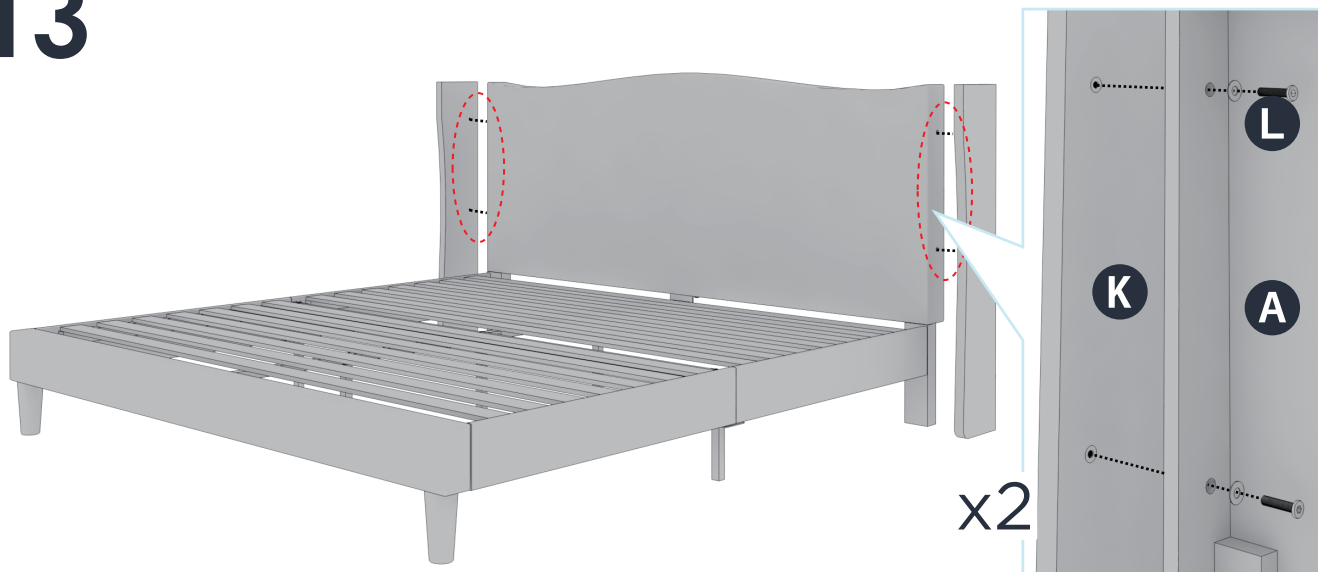
11



12



13



14



THIS PRODUCT REQUIRES ADULT ASSEMBLY

If any part is missing or if you have any questions regarding this product, please contact our customer service team by phone or email with this assembly manual open to the components list, ready to provide the model name and component number.

1-888-963-5569
 support@mellow-home.com
 MON-FRI 8:00 AM PST - 5:00 PM PST

RETURN POLICY

The item must be returned within 30 days of delivery for a full refund. All items (including accessories and components) must be returned in its original condition and carton, with original proof of purchase. Please email us for the 5-year limited warranty details.



WARNING
 Remove mattress and all other objects while moving the assembled unit.



CHOKING HAZARD
 Small parts.
 Not intended for children.



PREVENT HAND INJURIES
 Please use caution when assembling. Avoid placing fingers between frame structure while unfolding.

