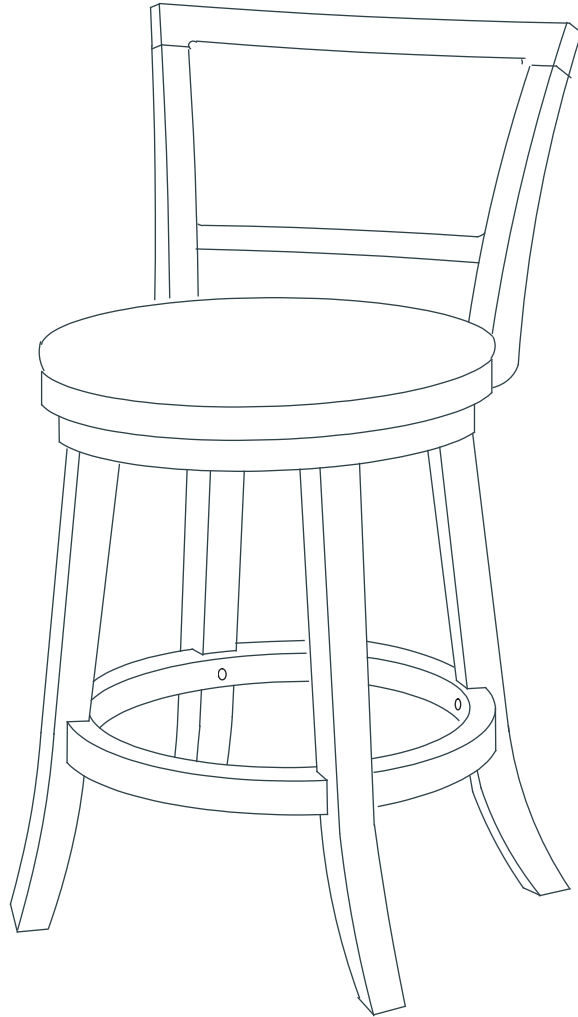
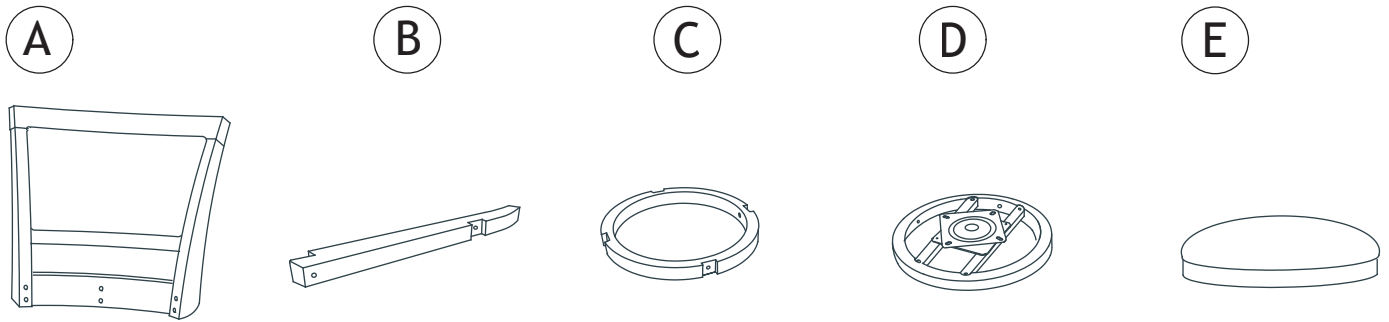


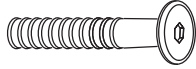
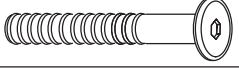



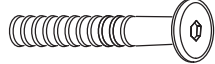
# ASSEMBLY INSTRUCTIONS



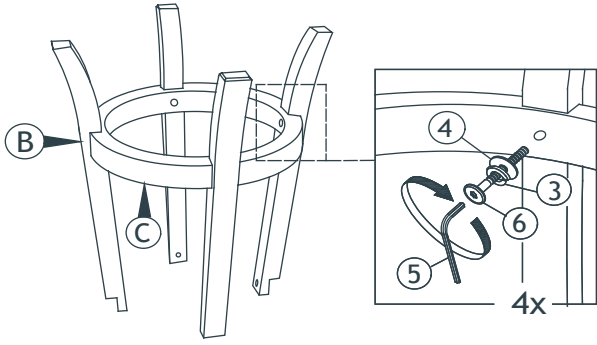
Read this instruction carefully. Refer hardware and furniture parts list for guidance. Be sure all parts are complete before assembling. Place all wooden furniture part on a clean and flat soft surface to prevent scratches. Refer steps provided as assembling guide.

PART LIST		
ITEM	DESCRIPTION	QTY
A	Back Rest	1 SET
B	Chair Leg	4 PCS
C	Foot Rest	1 PCS
D	Apron with Swivel Plate	1 SET
E	Cushion seat with Apron	1 SET



HARDWARE LIST			
ITEM	DESCRIPTION		QTY
1	JCBC Screw M6 x 25MM		4 PCS
2	JCBC Screw M6 x 40MM		10 PCS
3	Spring Washer M6 x 13MM		14 PCS
4	Flat Washer M6 x 16.5MM		14 PCS
5	Allen Key Small M4 x 110MM		1 PC
6	JCBC Screw M6 x 35MM		4 PCS

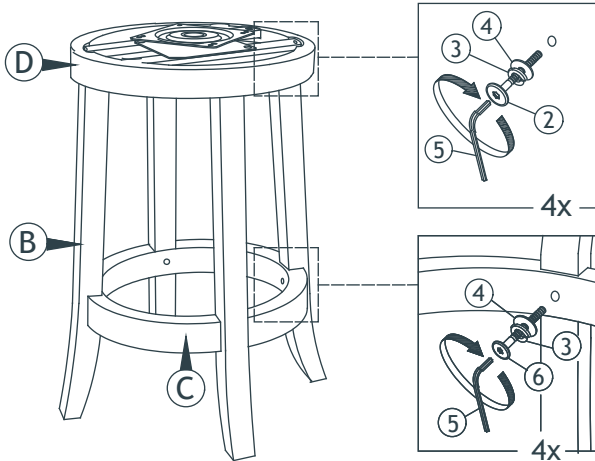
# STEP 1



Attach part(B) with part(C). Insert each individual set of hardware as per picture shown. Do not tighten any hardware completely. ⚠

6	
3	
4	
5	

# STEP 2



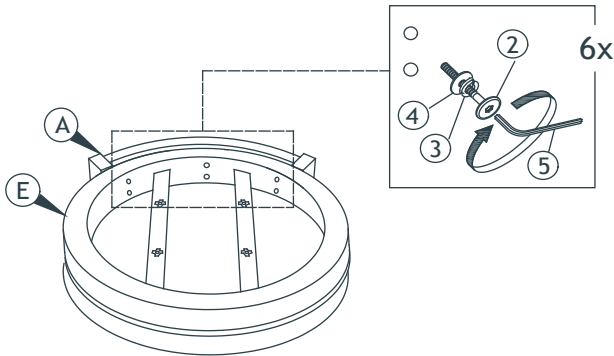
**step ii**

⚠ Tighten First **step i**

Attach each leg (B) to apron (D). Insert each individual hardware as per picture shown. Tighten part(B) with part(C) first, then tighten part(B) with part(D) completely.

6	
2	
3	
4	
5	

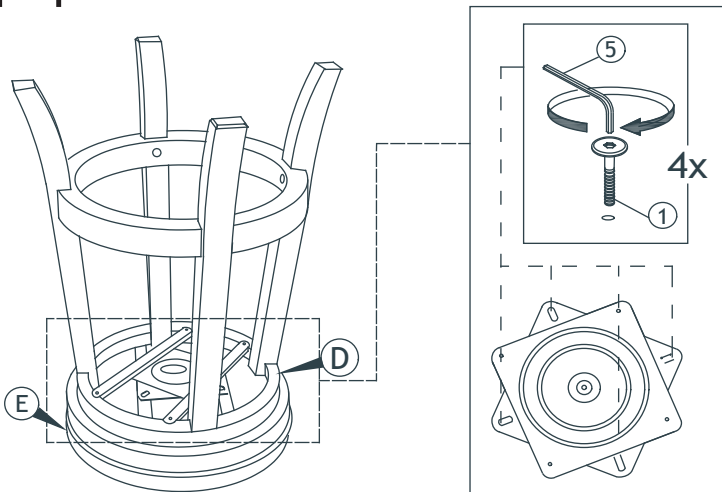
# STEP 3



Insert 6 sets hardware first, then tighten part(A) with part(E) completely after alignment is done.

2	
3	
4	
5	

# STEP 4



1	
5	