


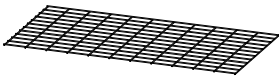
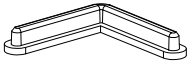
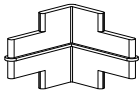

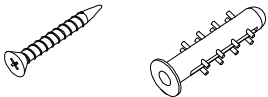
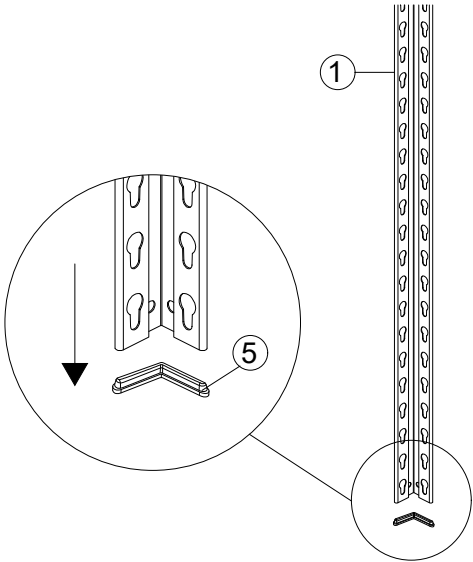


# Full Metal 5 Shelf Storage Unit

PARTS LIST

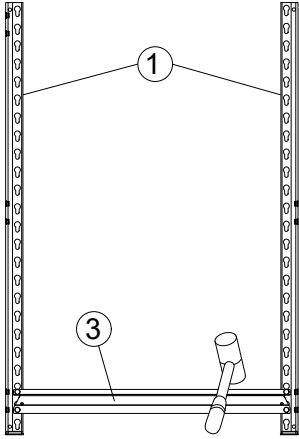
|   |                                                                                     |                     |     |
|---|-------------------------------------------------------------------------------------|---------------------|-----|
| 1 |    | UPRIGHT POST        | x8  |
| 2 |    | LONG BEAM           | x10 |
| 3 |    | SHORT BEAM          | x10 |
| 4 |    | WIRE SHELF          | x5  |
| 5 |    | FOOT PADS           | x8  |
| 6 |   | COUPLER             | x4  |
| 7 |  | CROSS BAR           | x5  |
| 8 |  | Wall Locking Screws | x2  |

**STEP 1**



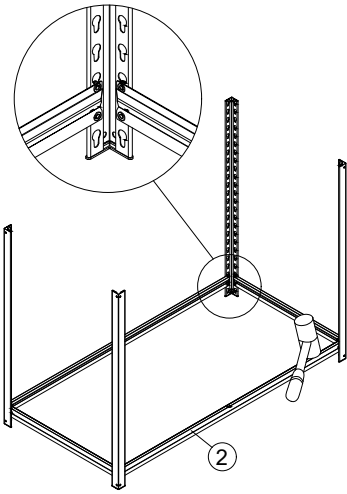
Assemble the upright leg posts(Part 1)

**STEP 2**



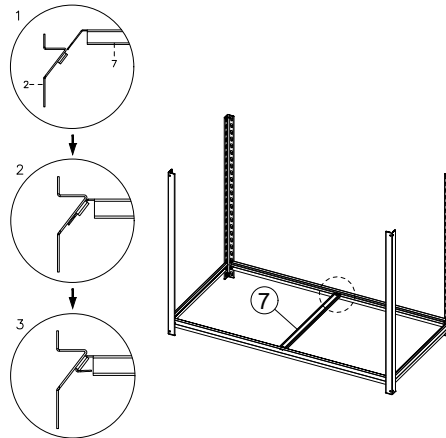
Assemble the short beams (Part 3) onto the upright posts(Part1) and tap into place using a mallet.

### STEP 3



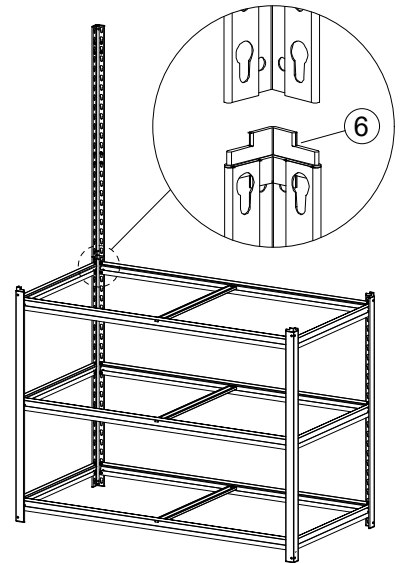
Assemble the long beams (Part 2) onto the upright posts (Part 1) and tap into place using a mallet.

### STEP 4



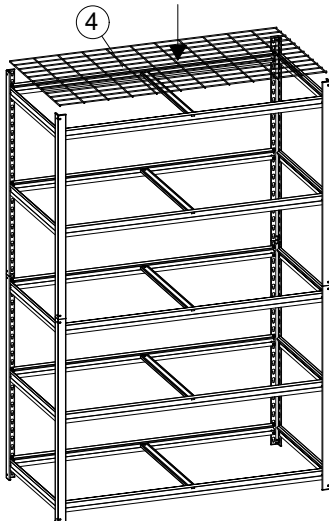
Put cross bars on the long beam as shown above

### STEP 5



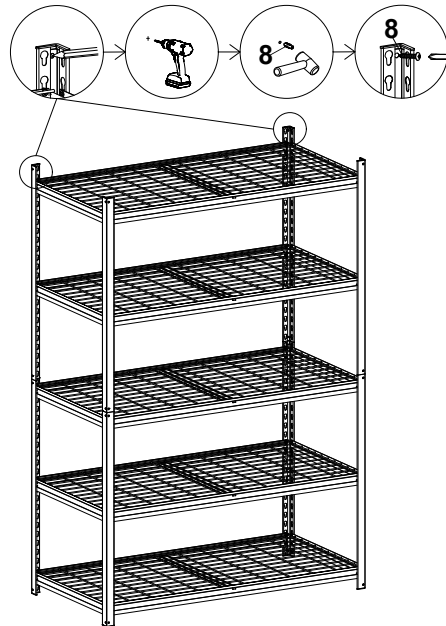
Assemble remaining short beams and long beams into upright leg posts.

### STEP 6



Assemble wire shelf onto cross bar.

### STEP 7



### STEP 8

