

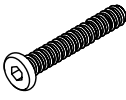
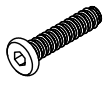

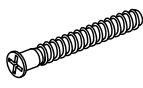
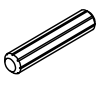
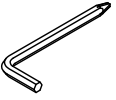





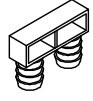


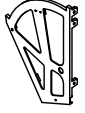
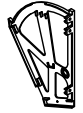
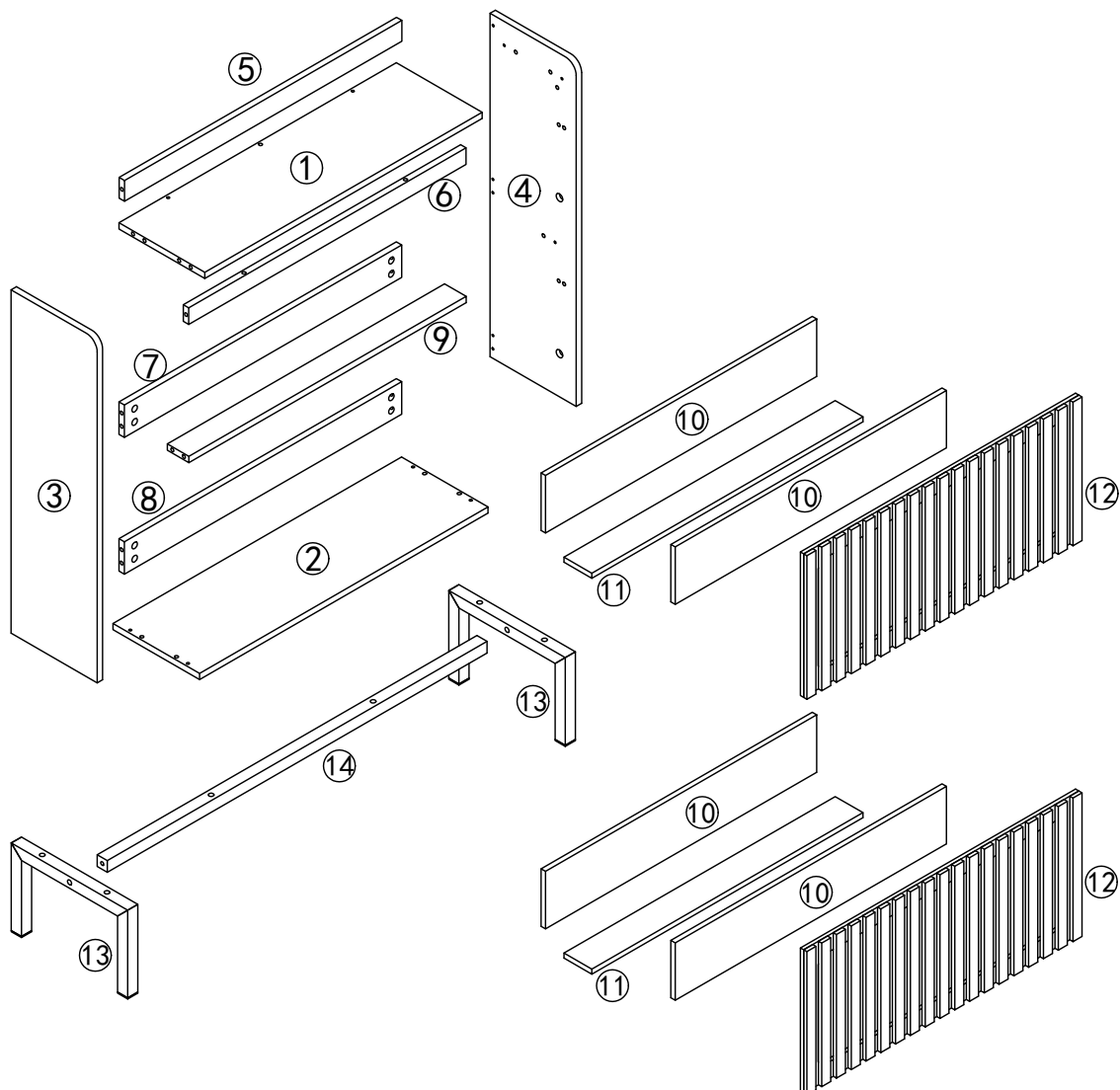
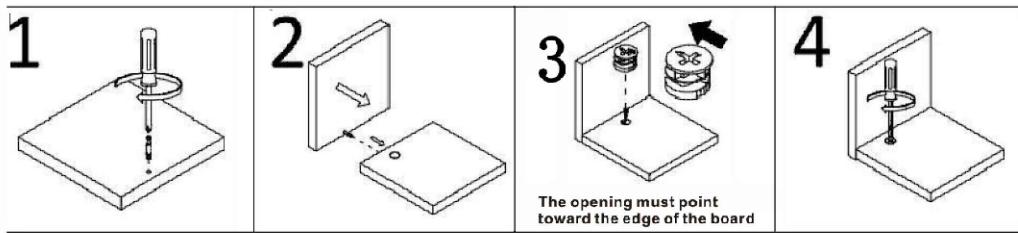


# Assembly Instruction

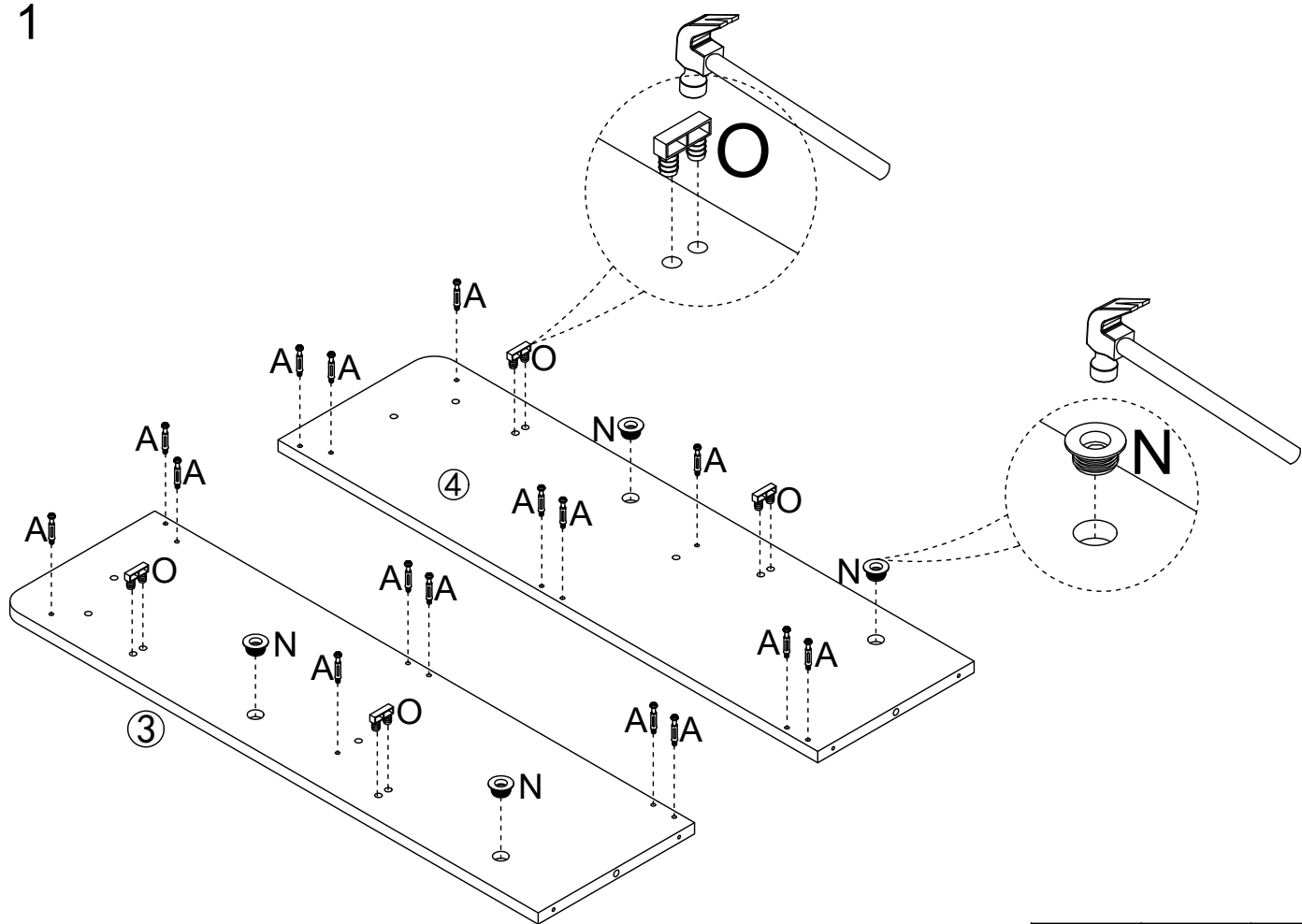
<b>A</b> M6X35  16PCS	<b>B</b> Ø15X12  16PCS	<b>C</b> M6X40  2PCS	<b>D</b> M6X30  6PCS	<b>E</b> M4X14  4PCS	<b>F</b> M5X40  6PCS	<b>G</b> Ø8X30  12PCS	<b>H</b> 4mm  1PC
<b>I</b> M3.5X16  24PCS	<b>J</b> Ø6x30  2PCS	<b>K</b> M4X35  2PCS	<b>M</b>  4PCS	<b>N</b>  4PCS	<b>O</b>  4PCS	<b>P</b> M4X14  2PCS	<b>Q</b>  2PCS
<b>L</b>  2PCS	<b>R</b>  2PCS						




## Cam Lock Fastening System

Insert the cam bolt into the hole first, then insert the cam lock and lock it.

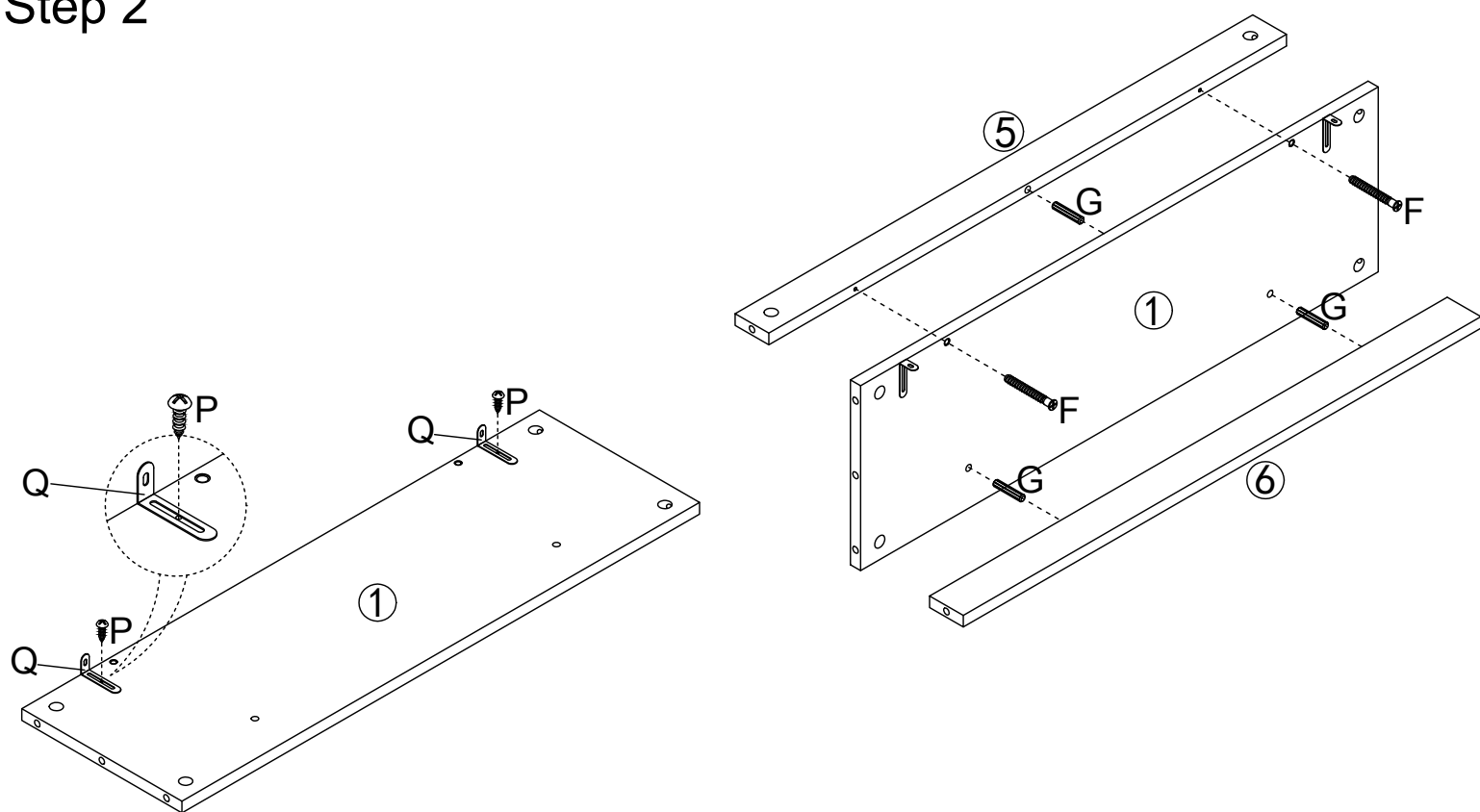


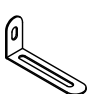

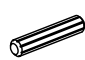

# Step 1



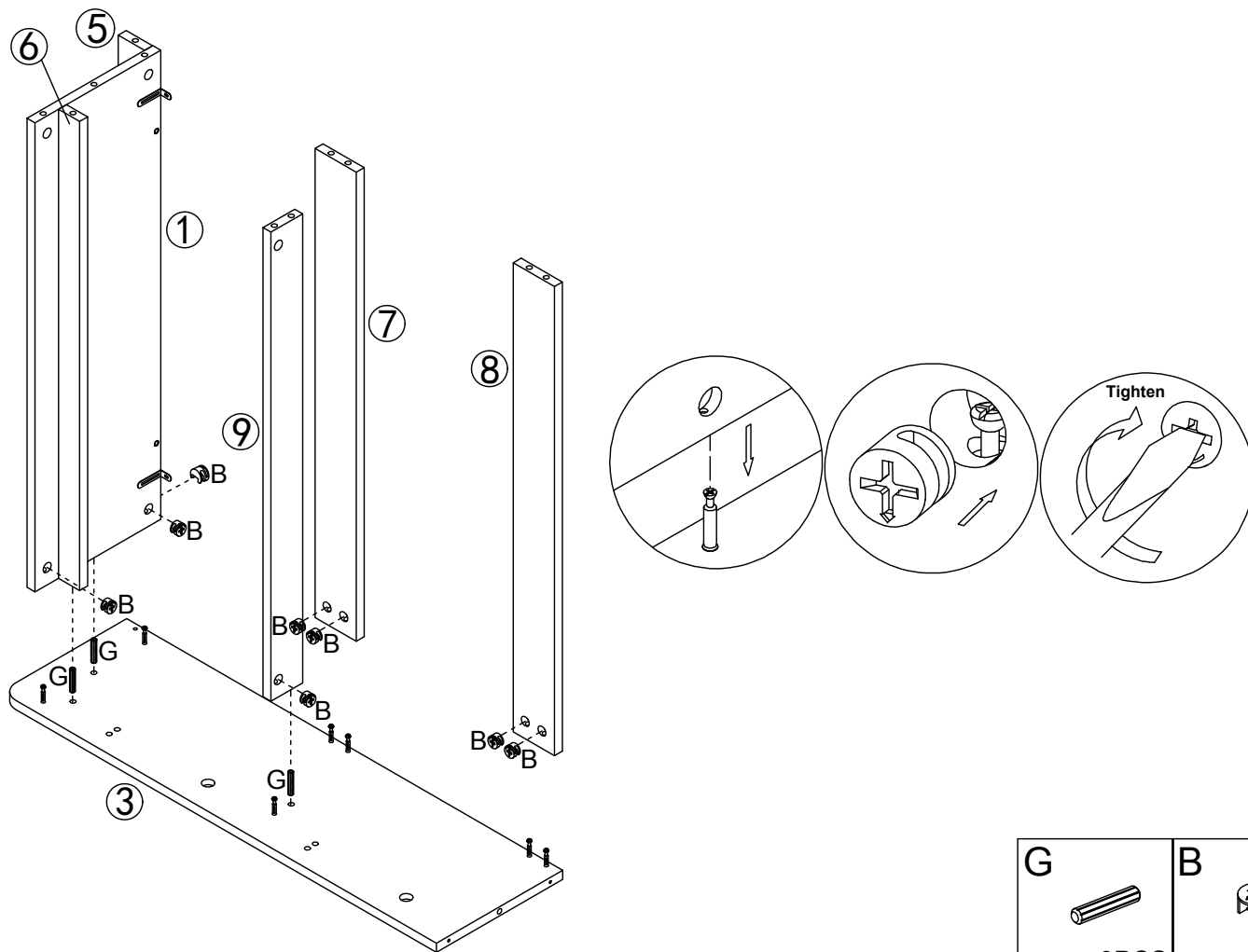
O	N	A
		
4PCS	4PCS	16PCS



# Step 2



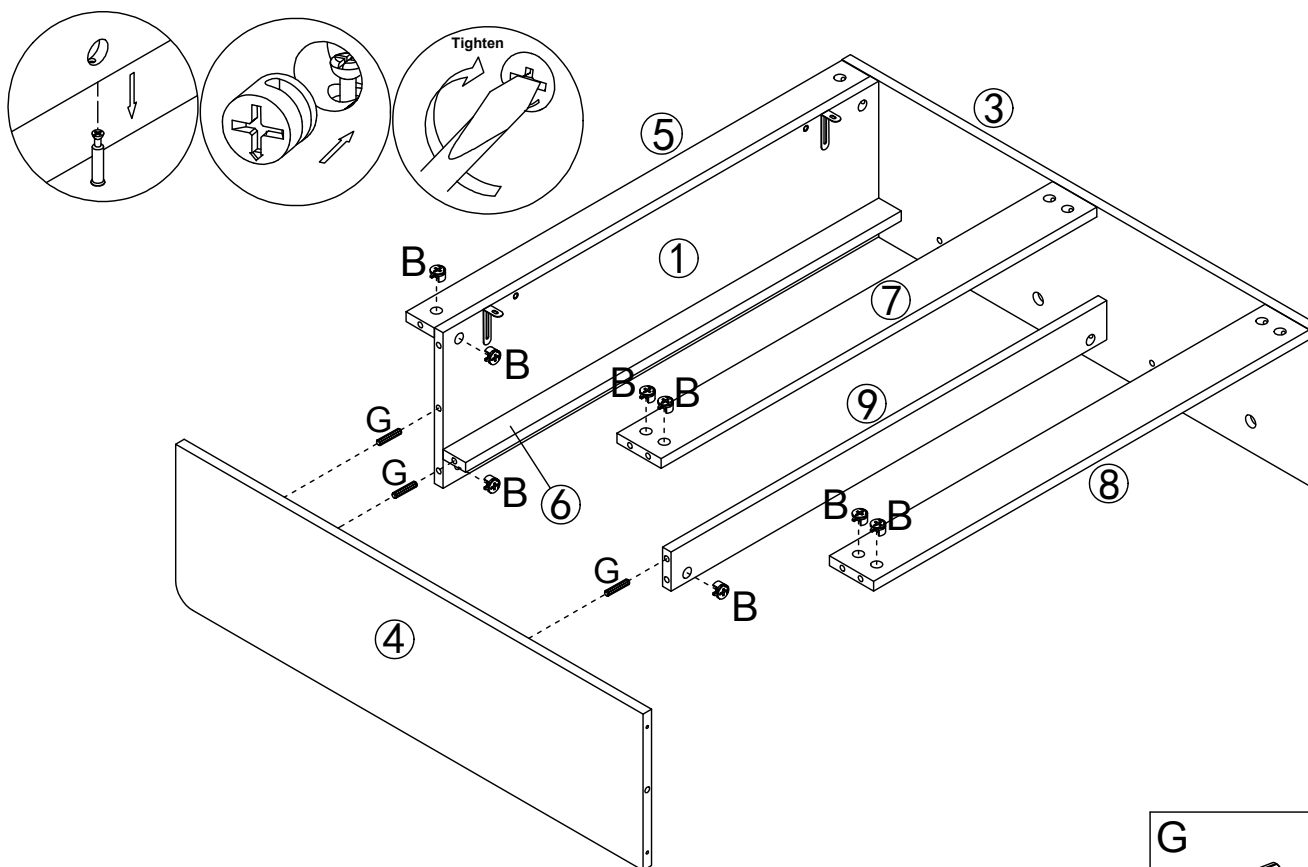
Q	P	G	F
			
2PCS	2PCS	3PCS	2PCS



# Step 3



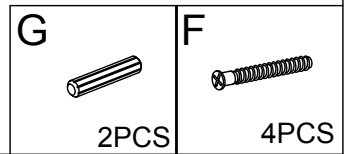
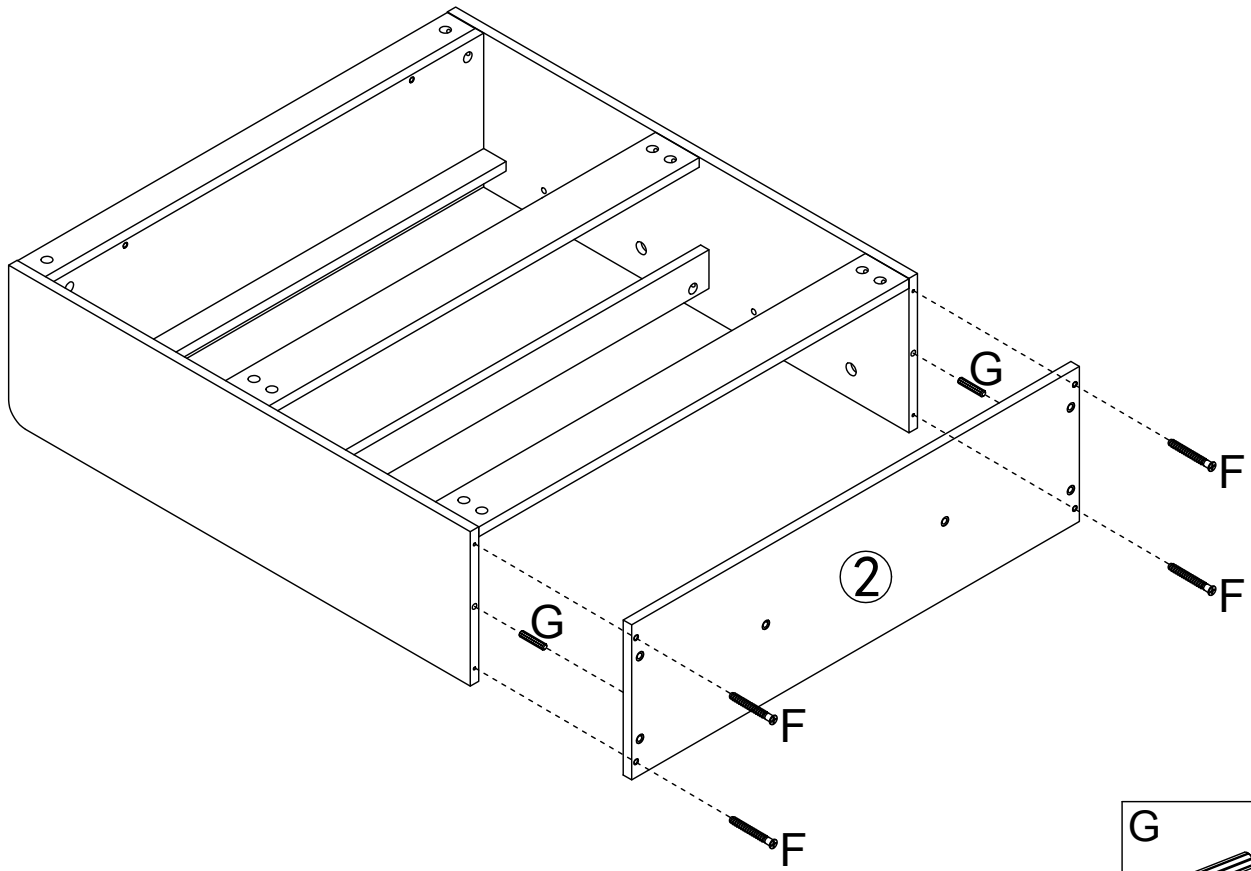
<b>G</b>	<b>B</b>
	
3PCS	8PCS

# Step 4

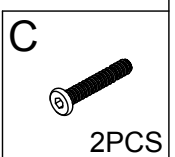
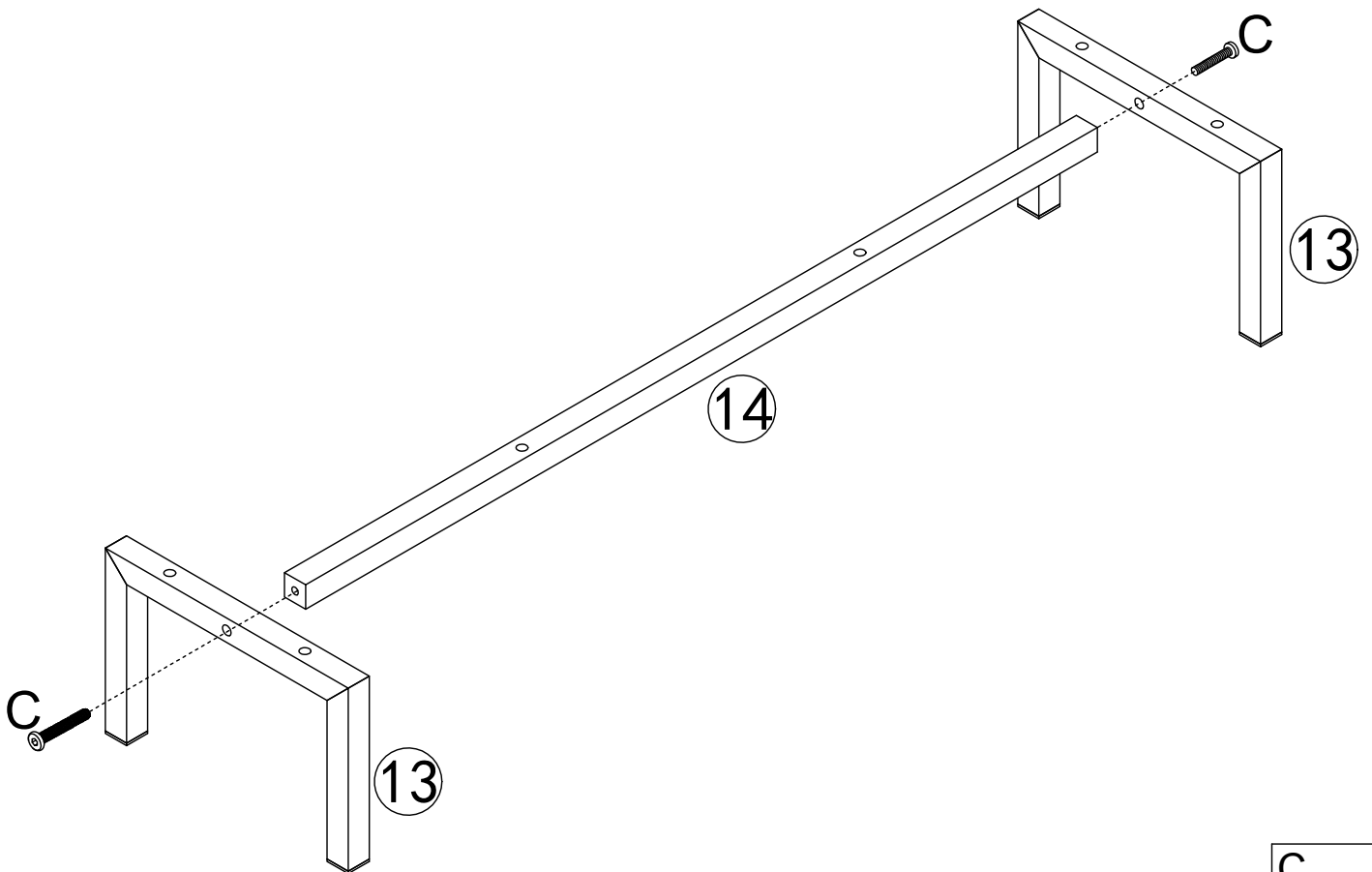


<b>G</b>	<b>B</b>
	
3PCS	8PCS

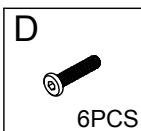
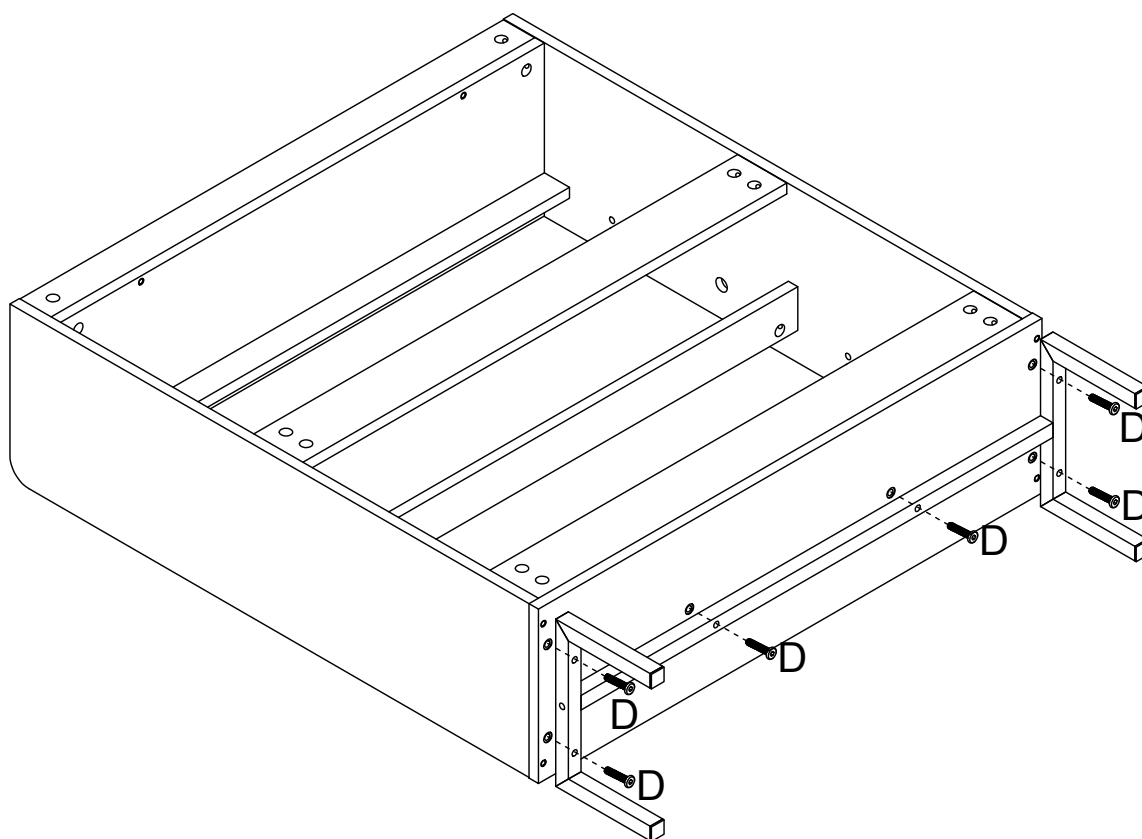
# Step 5



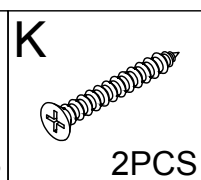
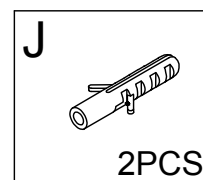
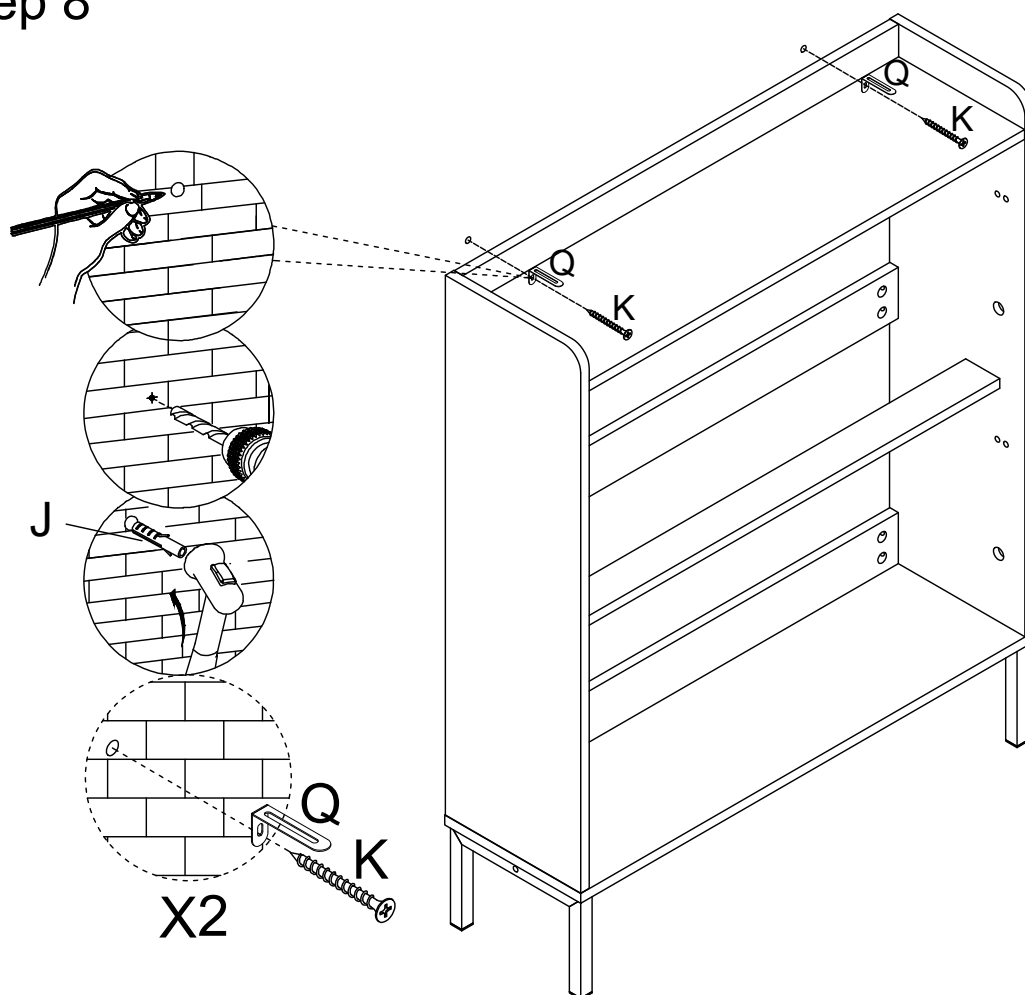
# Step 6



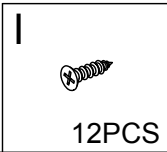
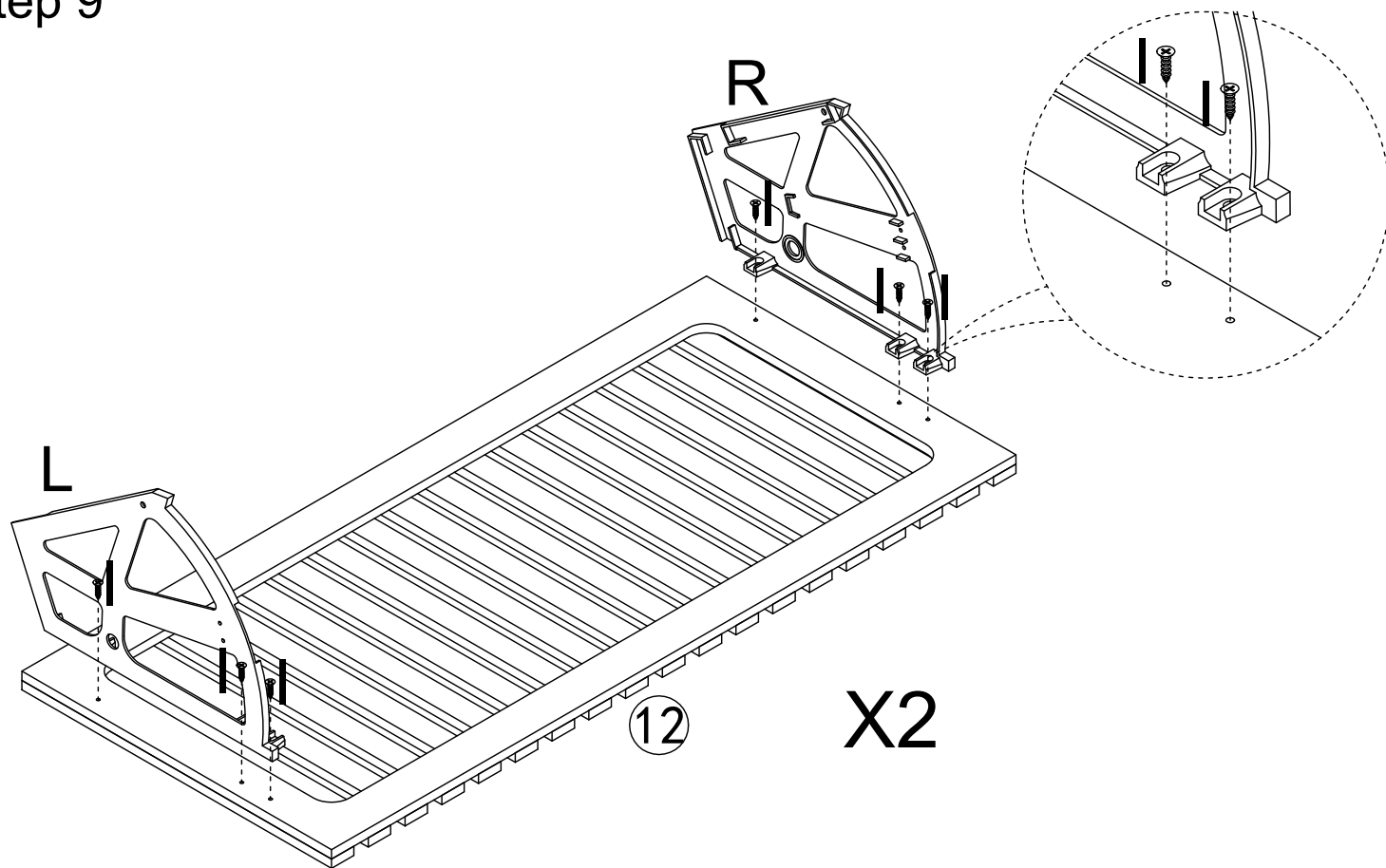
# Step 7



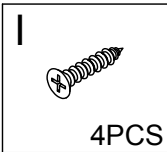
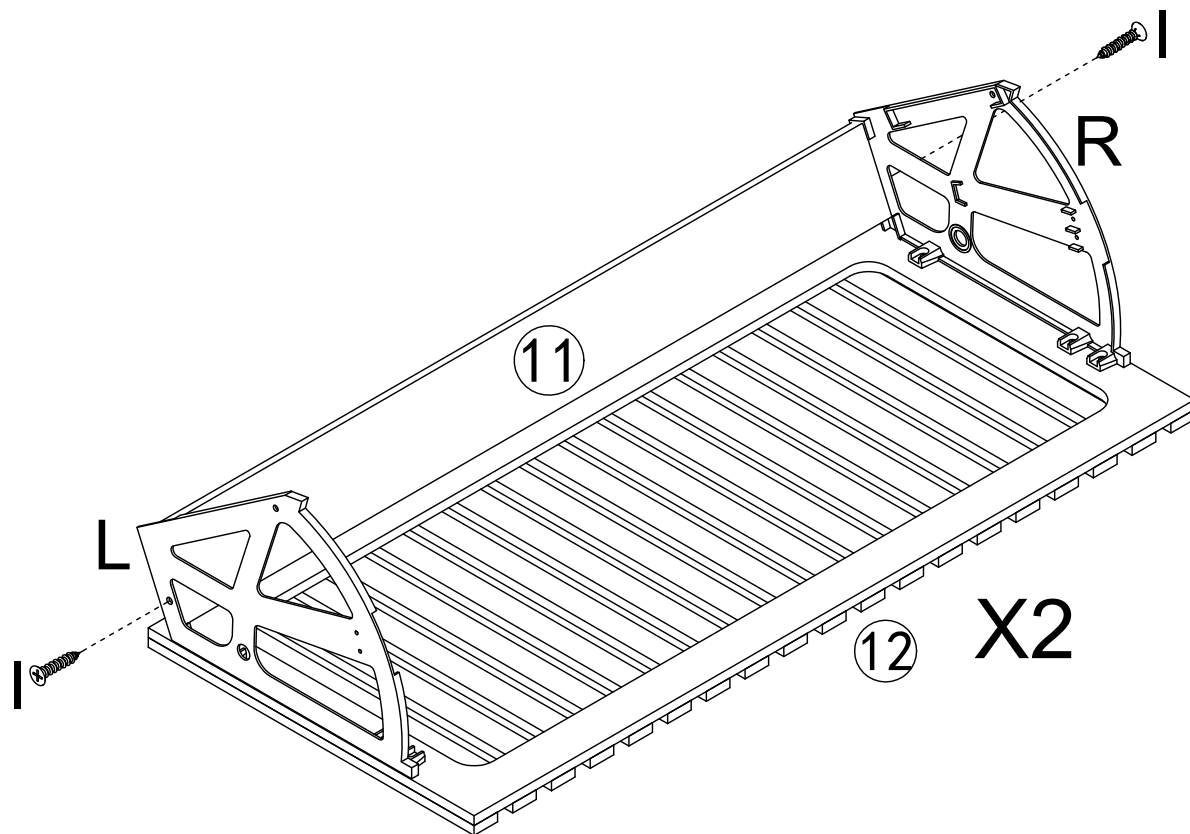
# Step 8



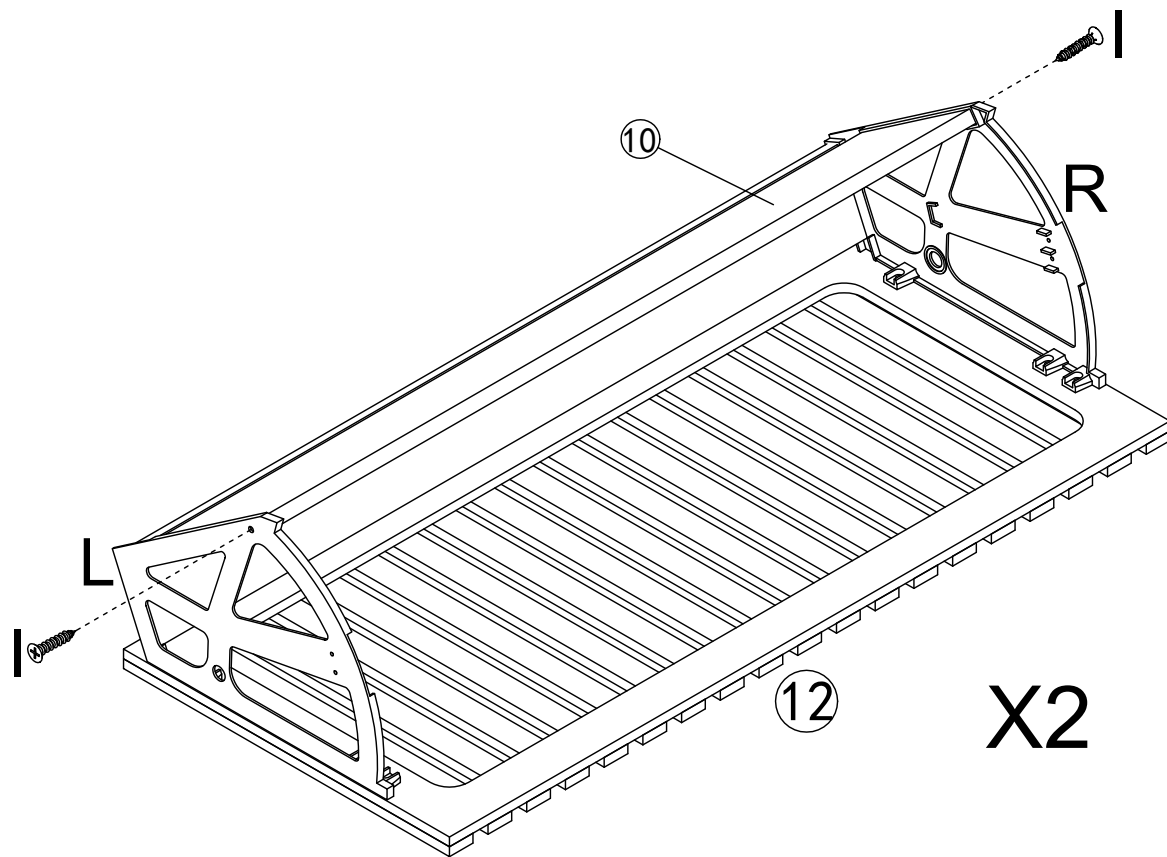
# Step 9



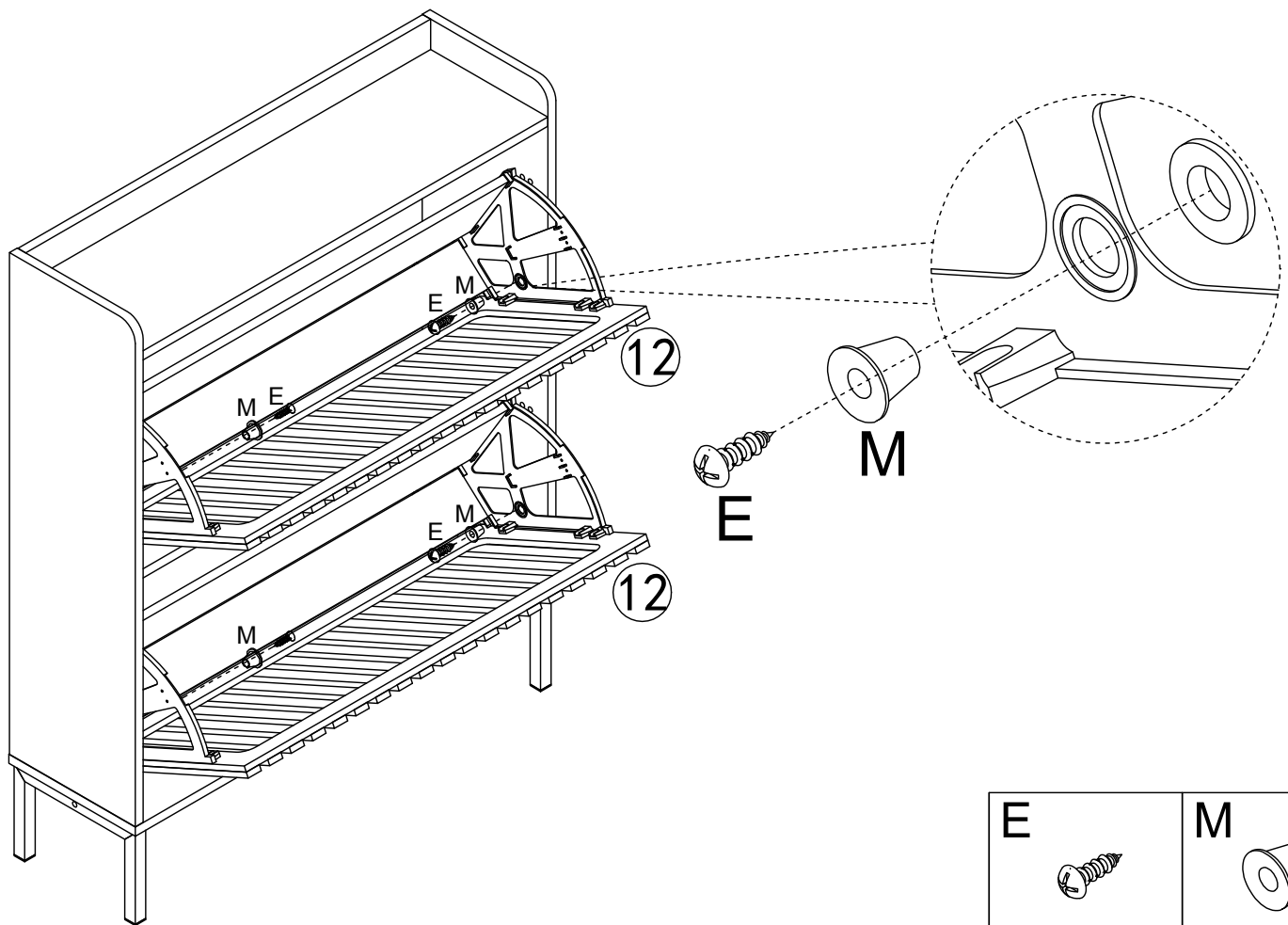
# Step 10

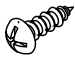



# Step 11

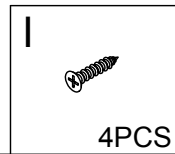
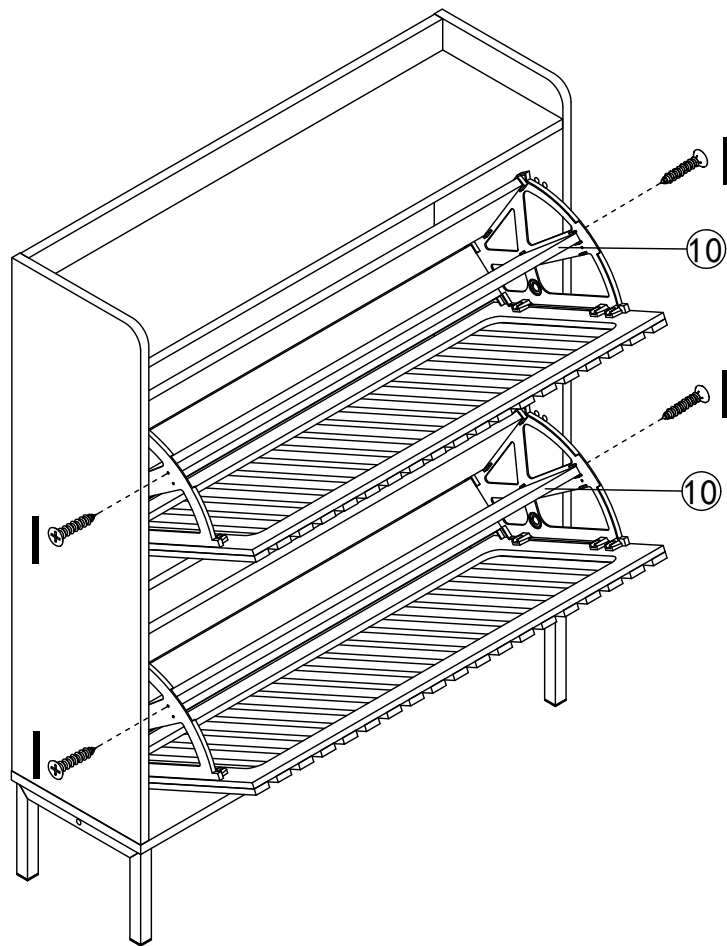


# Step 12



<b>E</b>  4PCS	<b>M</b>  4PCS
---	---

# Step 13



# Step 14

