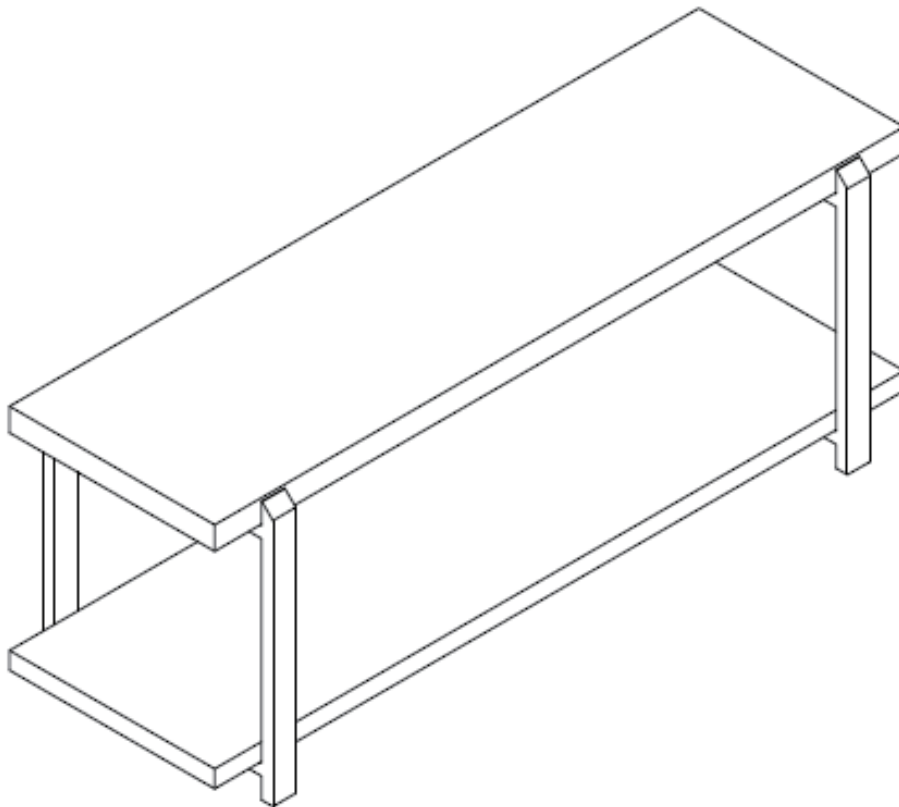


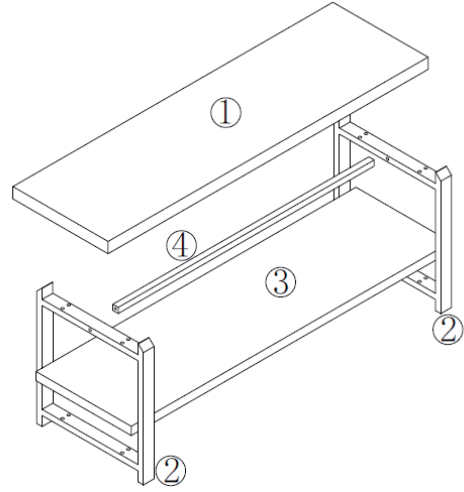
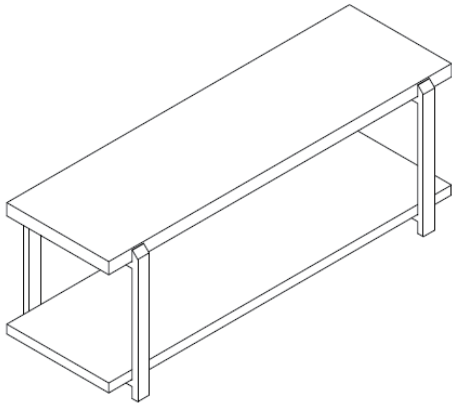
ASSEMBLY INSTRUCTION

Bench

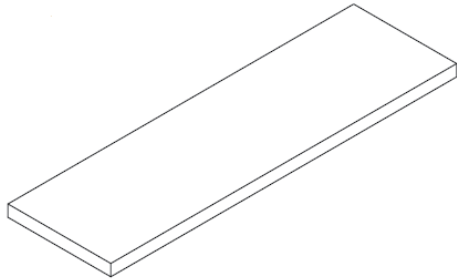


Part Identification

While not all parts are labeled, some of the parts will have a label to help distinguish similar parts from each other. Use this part identification to help identify similar parts.



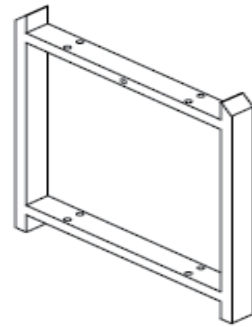
①



Thickness: 1.58 inch

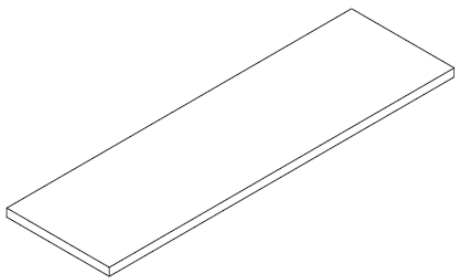
Table Top 1 pcs

②



Metal Frame 2 pcs

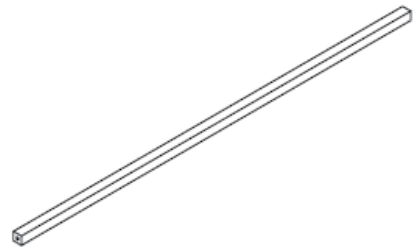
③



Thickness: 1.18 inch

Shelf 1 pcs

④



Metal Tube 1 pcs

A



Allen Key 1PC

B



M6*35 mm
Short Screw 16 PCS

C

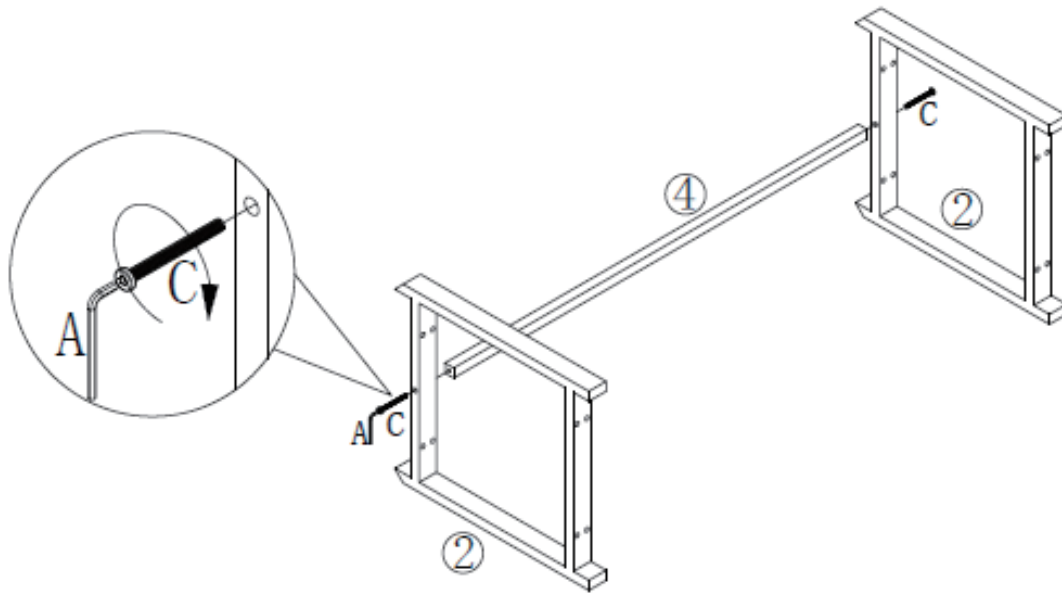


M6*60 mm
Long Screw 2 PCS

Step 01

NOTE: DO NOT fully tighten all bolts at this step.

- ↑ Lay the Metal Frames(②) Parallel to each other on a clean smooth surface such as carpet or cardboard. Fasten Metal Legs(②) to the Metal Tube(④) by using two Long Screws(C) with Allen Key(A).

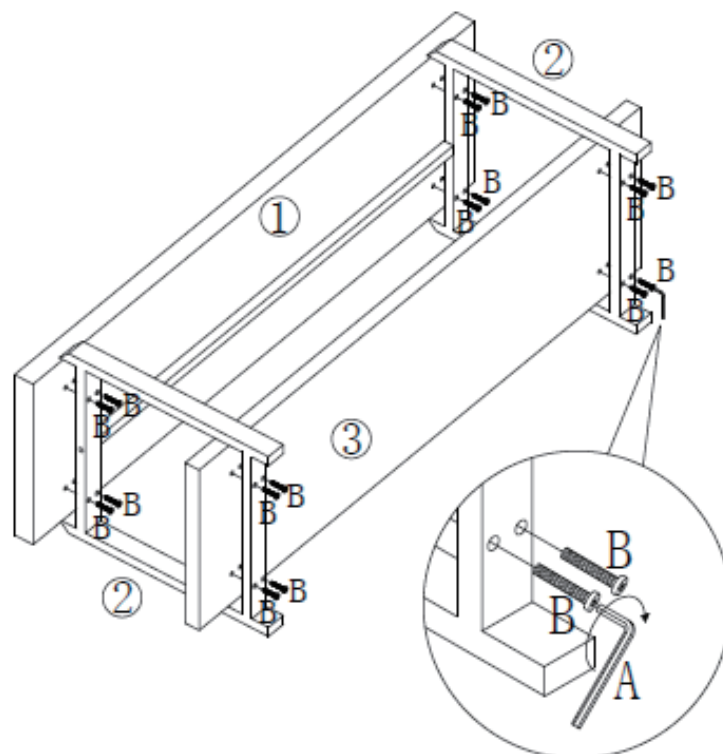


Step 02

NOTE: If holes don't align, loosen all bolts and adjust the holes slightly. After all holes are aligned, fully tighten all bolts.

- 2.1 Attach Table Top (①) and Shelf(③) into metal frames(②) with Short Screws(B) by Allen key(A). Do not fully tighten all bolts until all parts are in place.

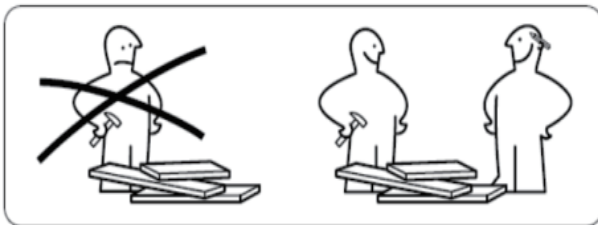
- 2.2 Tighten all bolts when all parts are in place. Flip the desk upright with the help of another person.



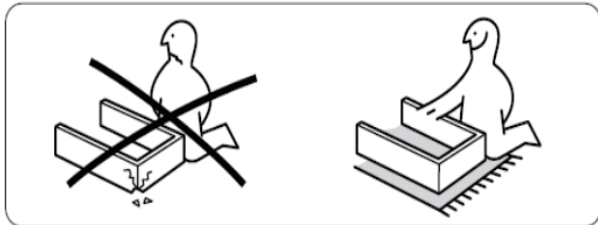
Thank you for purchasing. If any part is missing or damaged, please do not hesitate to contact us.

ASSEMBLY TIPS

1. Please read the assembly instructions first and become familiar with the parts.
2. Proper assembly of this item requires 2 people.



3. Unpack and assemble this unit in an spacious area, assemble the unit on top of the empty carton or carpet to prevent scratches.



4. To avoid accidentally discarding small parts or hardware, DO NOT dispose of any contents until assembly is completed.
5. **Do not fully tighten all bolts until all parts are in place.** Failure to follow these instructions may cause the bolts to misalign during assembly.

CARE INSTRUCTIONS

- (1) Hardware may loosen overtime. Periodically check that all connections are tight.
- (2) Wipe with a soft, dry cloth. To protect finish, avoid the use of chemicals and household cleaners.
- (3) All hot serving dishes should be placed on a pad.
- (4) Any liquid spilled onto the furniture should be cleaned up immediately with a dry cloth.