

BED ASSEMBLY INSTRUCTIONS



SAFETY WARNINGS AND GENERAL NOTES:

1. Follow the information on the warnings on the bunk bed end structure and on the carton. Do not remove the warning label from the bed.
2. Always use the recommended size mattress on mattress support, or both, to help prevent the likelihood of entrapment or falls.
3. Do not allow children under 6 years of age to use the upper bunk.
4. Periodically check and ensure the guardrail, ladder and other components are in their proper position, free from damage, and all connectors are tight.
5. Do not allow horseplay on or under beds.
6. Always prohibit jumping on the bed.
7. Prohibit more than one person on upper bunk.
8. Always use the ladder for entering and leaving the upper bunk.
9. Do not use substitute parts. Contact the manufacturer or dealer for replacement parts.
10. Use of a night-tight may provide added safety precaution for a child using the upper bunk.
11. Always use guardrails on both long sides of the upper bunk.
12. If the bunk bed will be placed next to a wall, the guardrail that runs the full length of the bed should be placed against the wall to prevent entrapment between the bed and the wall. The use of water or sleep flotation mattresses is prohibited.
13. **STRANGULATION HAZARD**-Never attach or hang items to any part of the bunk bed that are not designed for use with the bed; for example, but not limited to, hooks, belts and jump ropes.
14. Keep these instructions for future reference.
15. We recommend assembling your bunk bed on the shipping carton to protect your floor or carpet.
16. Be certain all staples are out of the box before beginning assembly on the shipping carton.
17. **USE ONLY MATTRESSES WHICH ARE AS THE TABLE BELOW ON UPPER AND ON LOWER BUNKS.**

Down bed

Mattress type	Length	Width	Thickness
QUEEN Standard	79"-80"	59" -60"	8"

Up bed (bunk bed and tribed included)

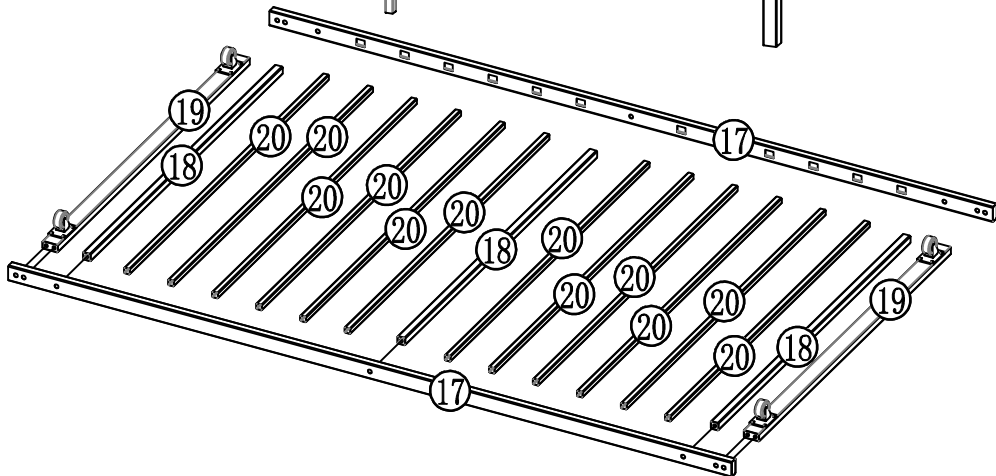
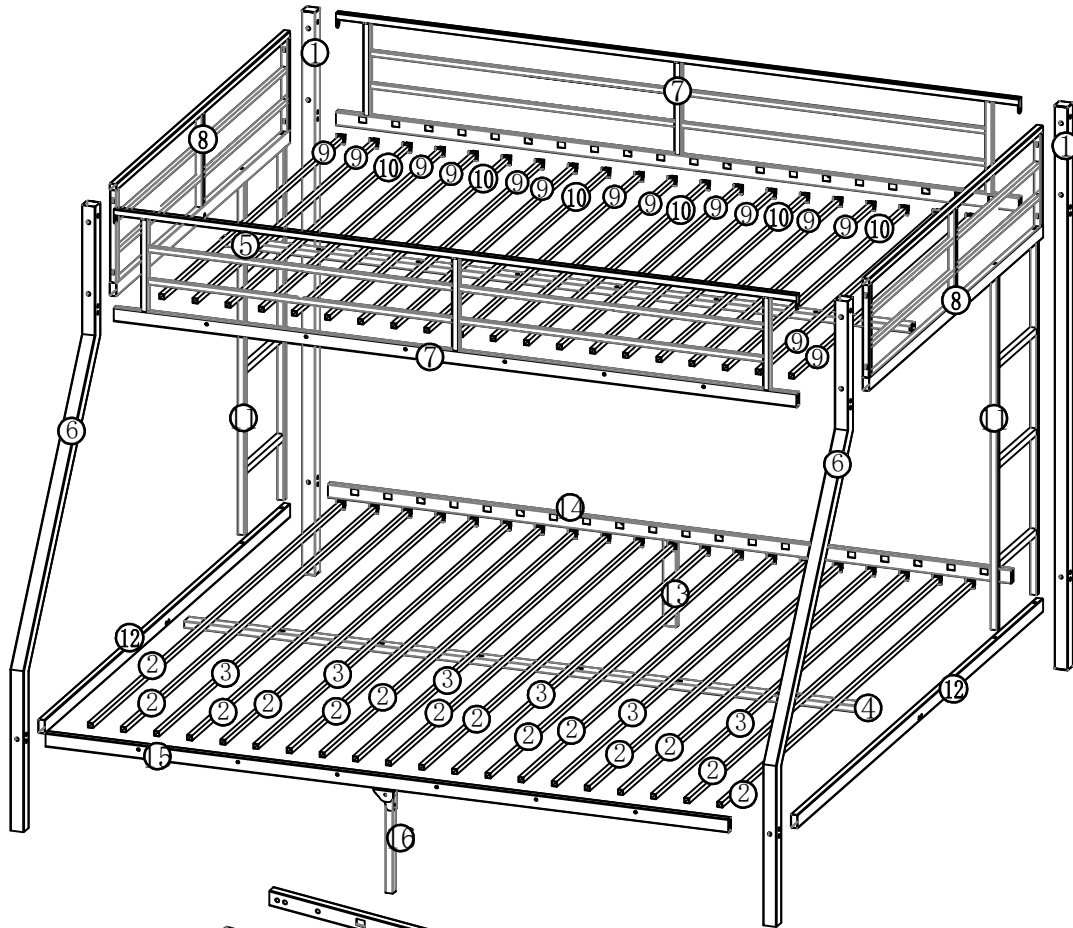
Mattress type	Length	Width	Thickness
TWIN XL Standard	79"-80"	38" -39"	6"Max
Movable bed support	Length	Width	Thickness
Standard	72"-73"	37" -38"	4"Max

18. **SURFACE OF MATTRESS MUST BE AT LEAST 5"(127MM) BELOW THE UPPER EDGE OF GUARDRAILS.**

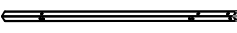



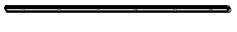
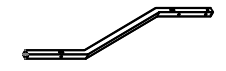








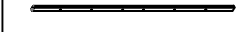





19. Replacement Parts:

Replacement Parts, including additional guardrails, may be obtained from any of our dealers.













Bed parts view



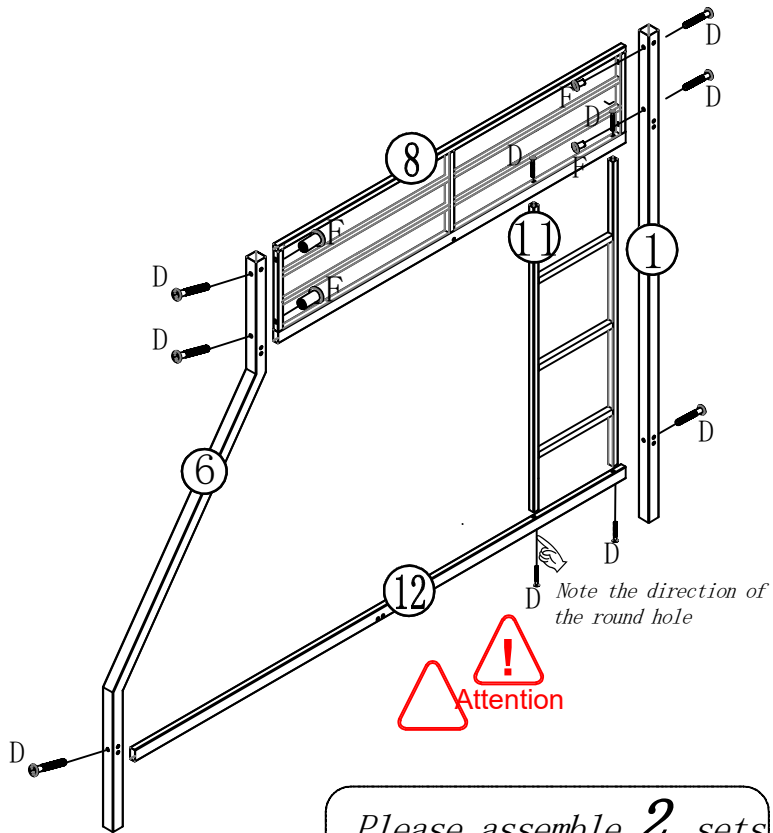
Part List

			
1-2pcs	2-14pcs	3-6pcs	4-1pcs
			
5-1pcs	6-2pcs	7-2pcs	8-2pcs
			
9-14pcs	10-6pcs	11-2pcs	12-2pcs
			
13-1pcs	14-1pcs	15-1pcs	16-1pcs
			
17-2pcs	18-3pcs	19-2pcs	20-12pcs

Part List

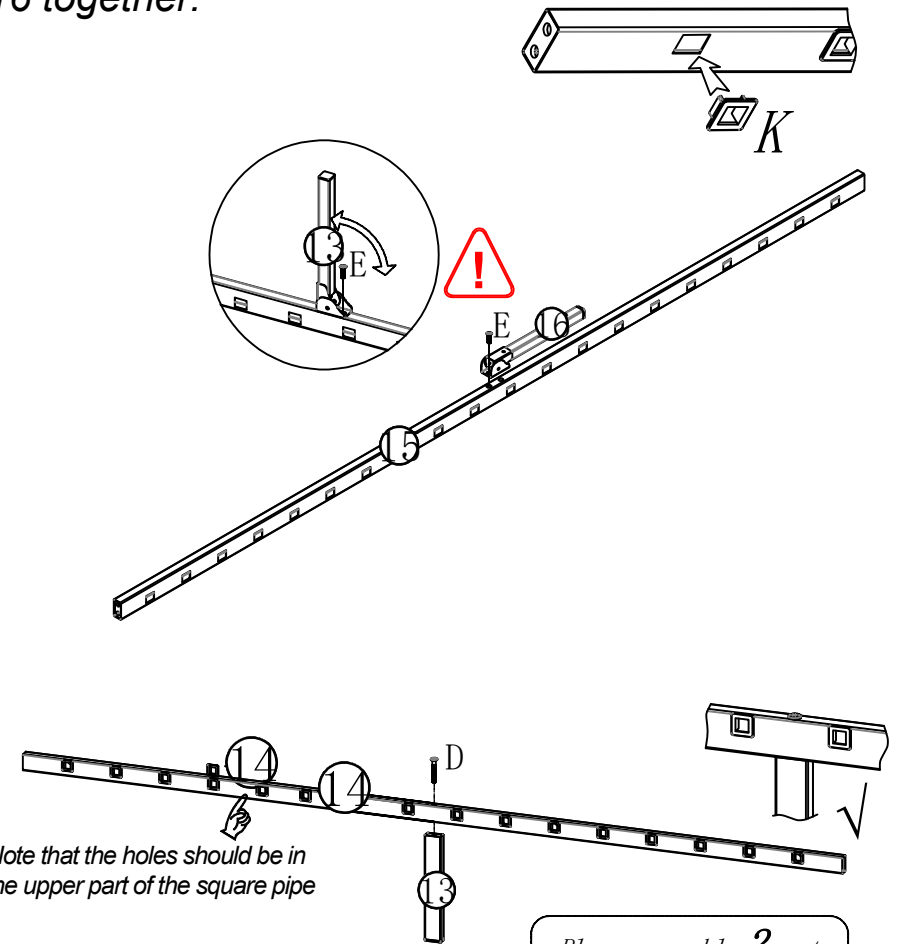
					
C 8*35 24PCS	D 8*55 37PCS	E 6*25 38PCS	F 8*15 12PCS	Y 6*10 16PCS	L2
					
K 104PCS	with brake 2 PCS	without brake 2 PCS	T-4PCS	U-2PCS	L1

Step 1: Use hardware L, D and F to connect #1, #6, #8 #13 and #11 together.

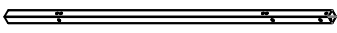

















Please assemble 2 sets

Step 2: Install part #K to parts #14 and #15 and Use hardware L and D to connect #14 and #13, #15 and #16 together.

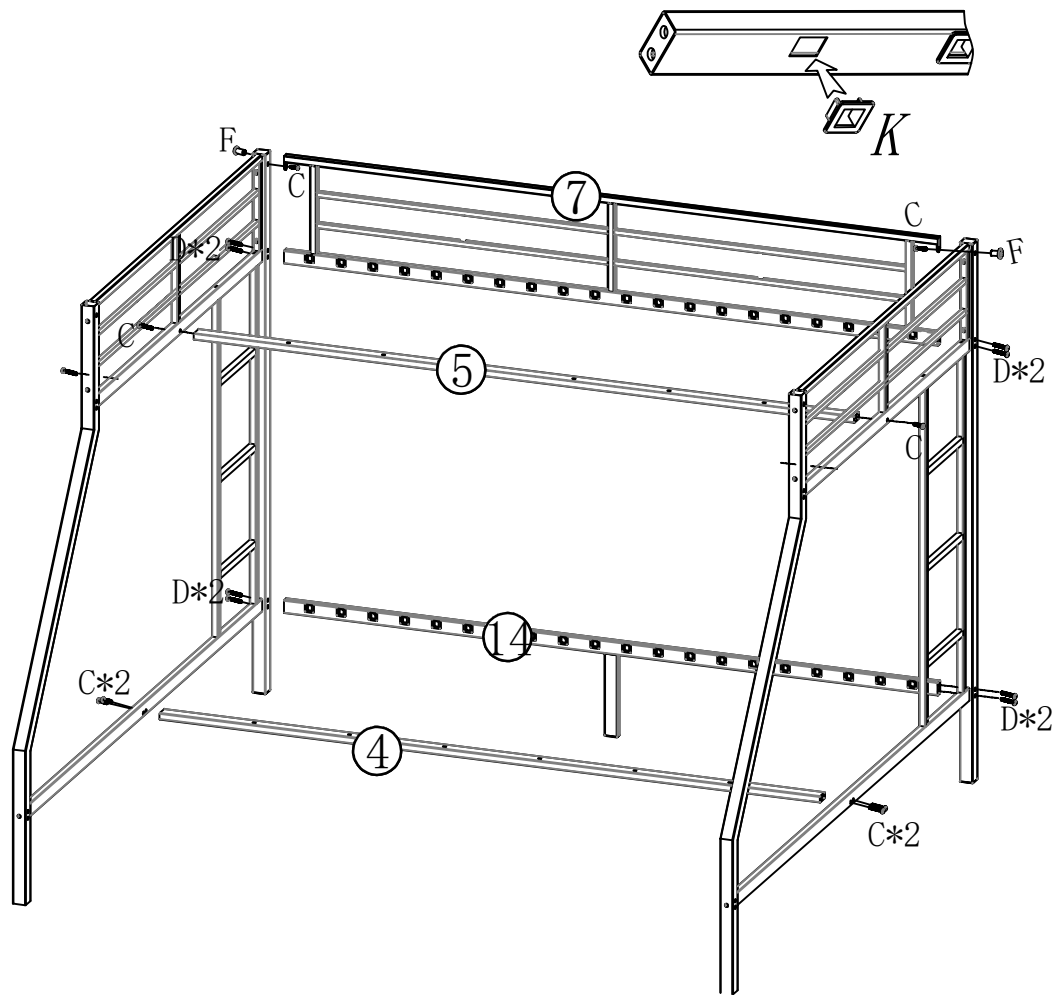


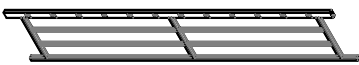






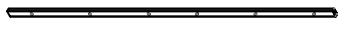
Please assemble 2 sets

 1-2pcs	 8-2pcs	 D 8*55 20PCS	 F 8*15 8PCS	 L
 12-2pcs	 11-2pcs	 6-2pcs		

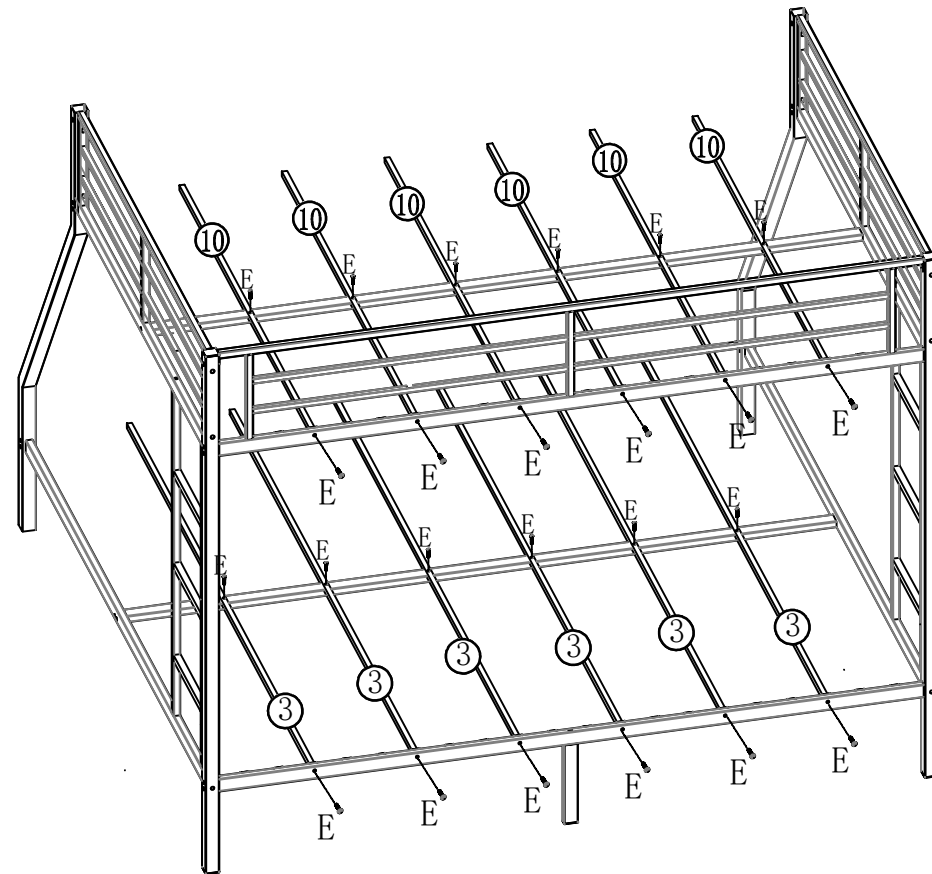
 14-1pcs	 15-1pcs	 K 40PCS	 D 8*55 1PCS	 L
 16-1pcs	 13-1pcs	 E 6*25 2PCS		





Step 3: Use hardware L, C, D, F to connect #7, #4, #5, and #14 to the previously installed components.



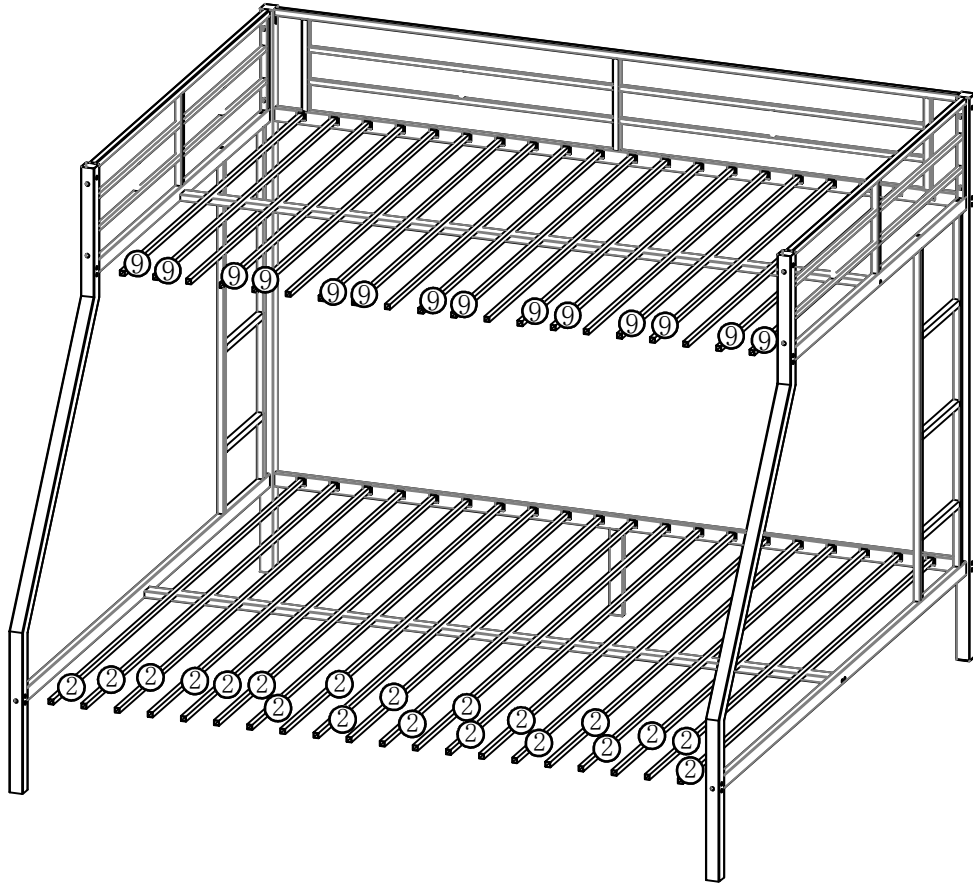
					
7-1pcs	3-1pcs	C 8*35 8PCS	D 8*55 8PCS	F 8*15 2PCS	L
					
14-1pcs 13-1pcs	5-1pcs				

Step 4: Use hardware L, E to connect #3 and #10 to the previously installed components.

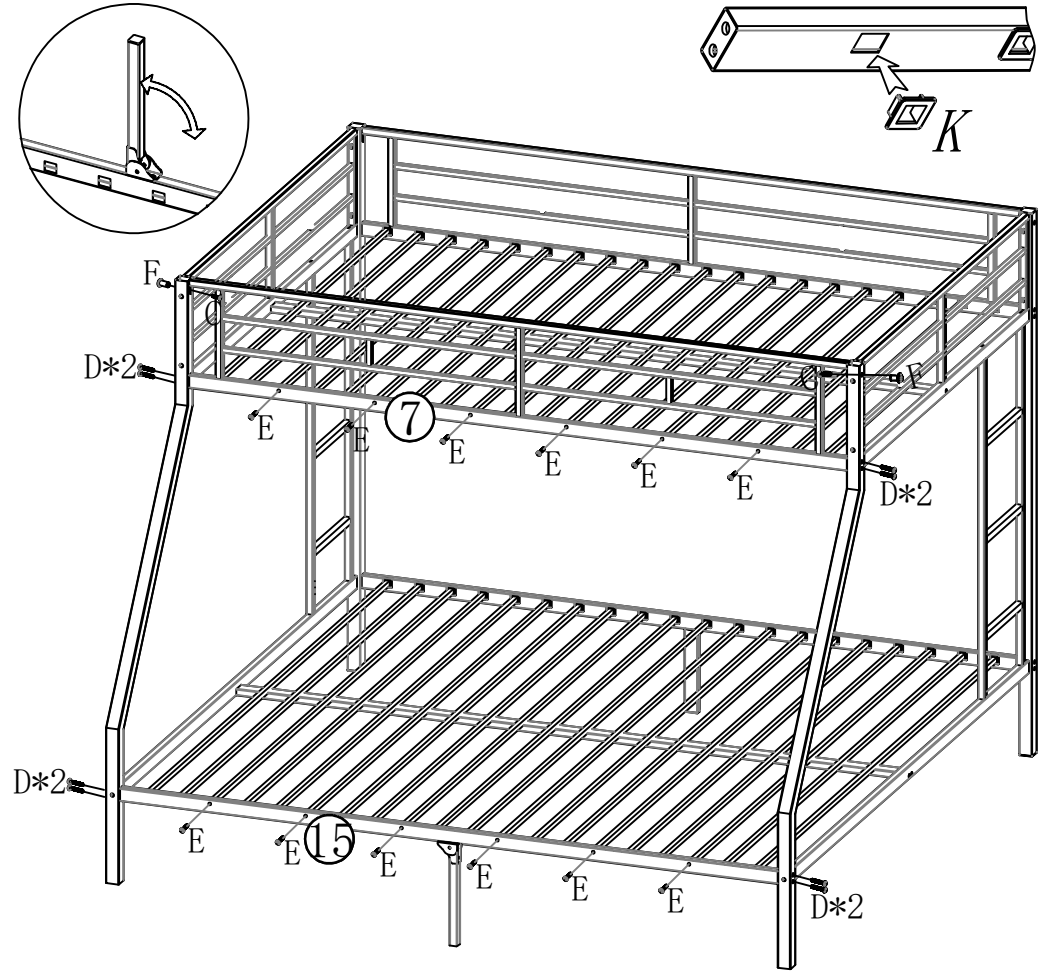


		
10-6pcs	E 6*30 24PCS	L
		
3-6pcs		

Step 5: Use connect #9#2 to the previously installed components.



Step 6: Use hardware L, C,D, E,F to connect #14 and #15 to the previously installed components.



2-14pcs



9-14pcs



7-1pcs



15-1pcs



C
8*35
2PCS



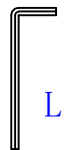
E
6*30
12PCS



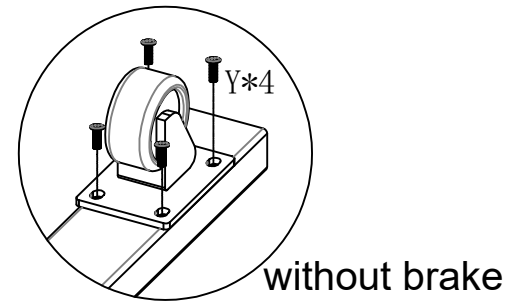
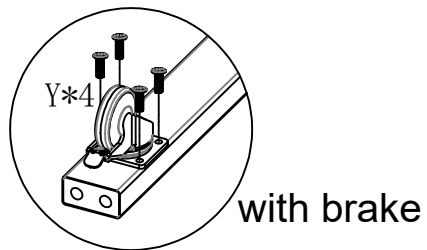
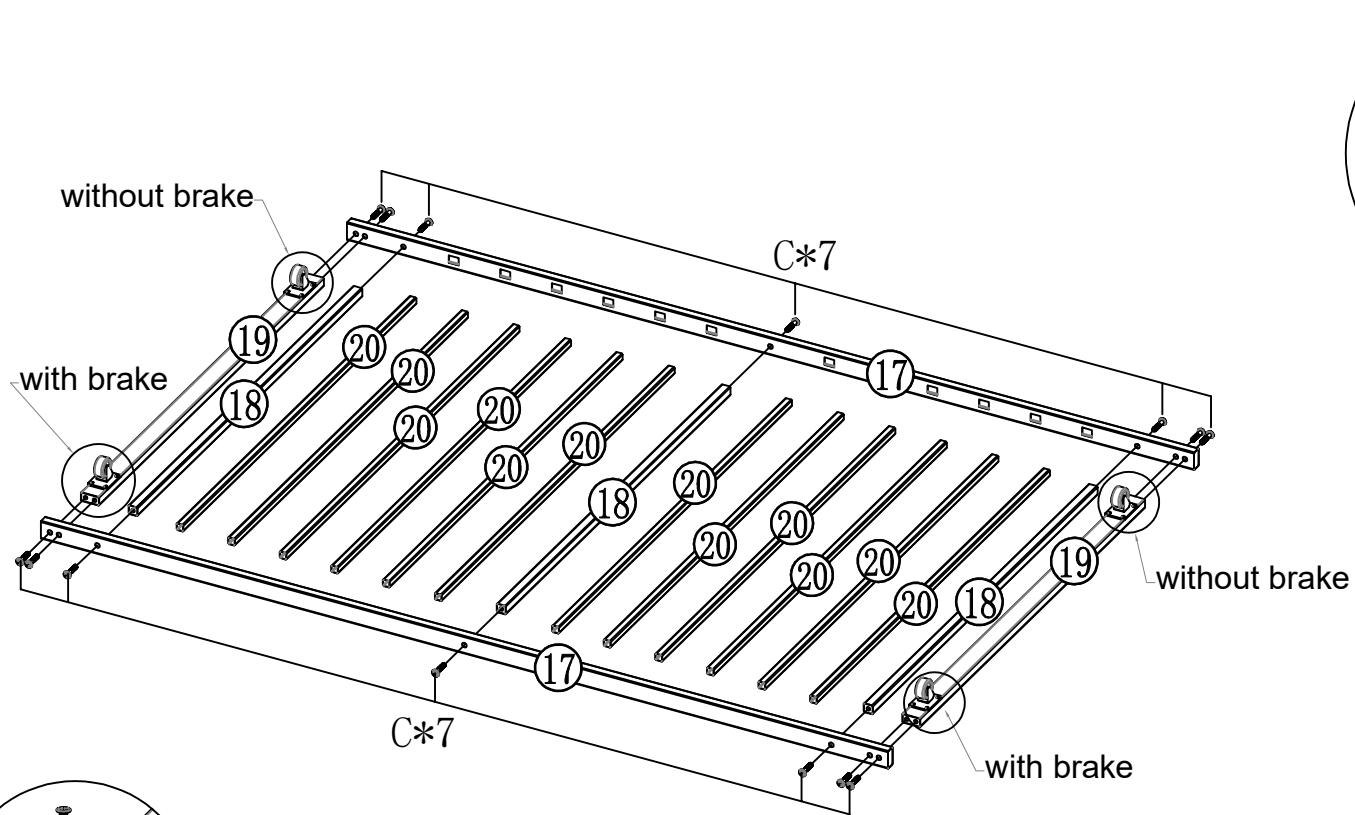
D
8*55
8PCS





F
8*15
2PCS



L




 C
 8*35-14PCS


 Y
 6*10-16PCS

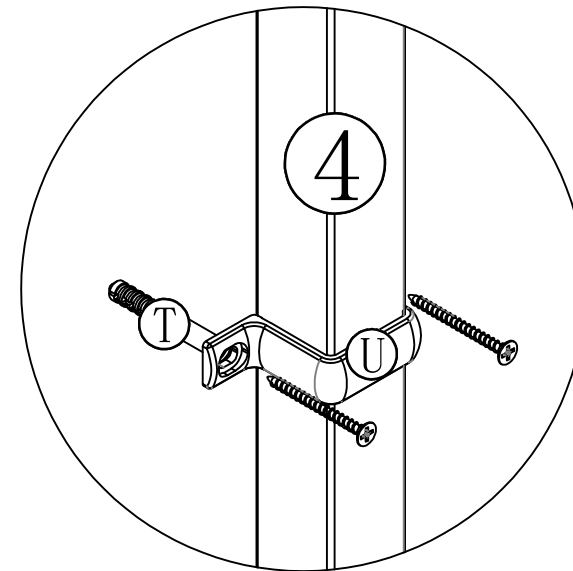

 K--24PCS


 with brake
 2 PCS


 without brake
 2 PCS


 L

Completed



*Tips:
If you feel that the bed
is a little wobbly then
please use the parts "U"
and "T" for reinforcement*



Please tighten all screws before use, thank you.