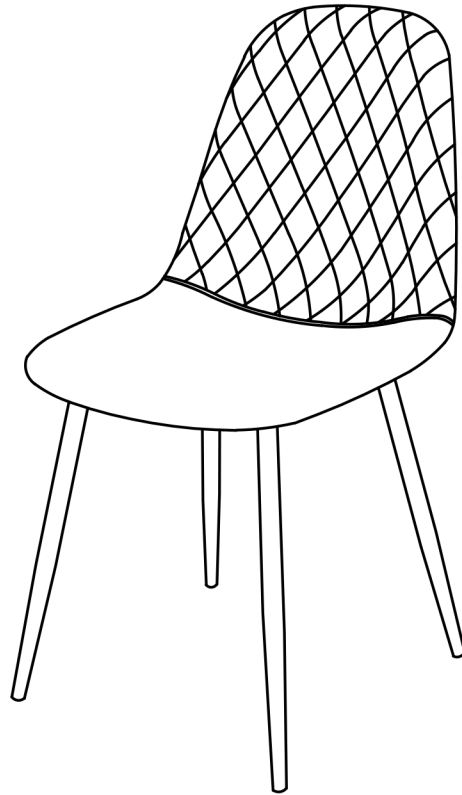
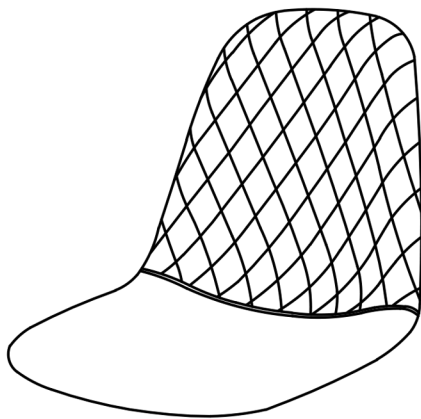


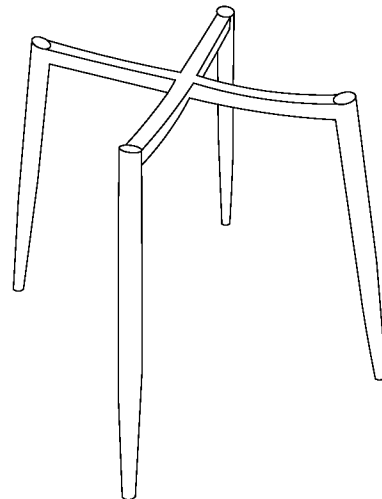
Assembly Instructions



Please check you have all the parts listed below




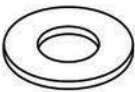

1 Back rest x 1



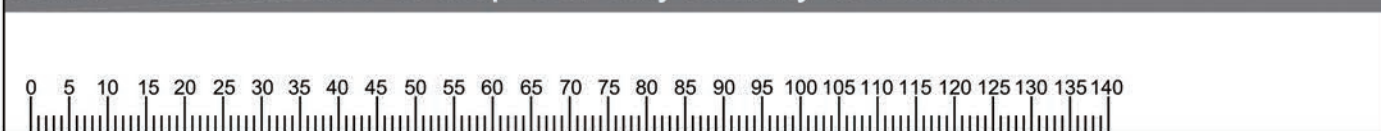
2 Leg frame x 1

Please check you have all the fittings listed below

Note: The quantities below are the correct amount to complete the assembly. In some cases more fittings may be supplied than are required.

<p>A</p>  <p>M6x20mm Allen Screw X4</p>	<p>B</p>  <p>M6x16mm Metal Washer X4</p>	<p>C</p>  <p>M4 mm Allen Key X1</p>	

Ruler - Use this ruler to help correctly identify the screws



Assembly Instructions

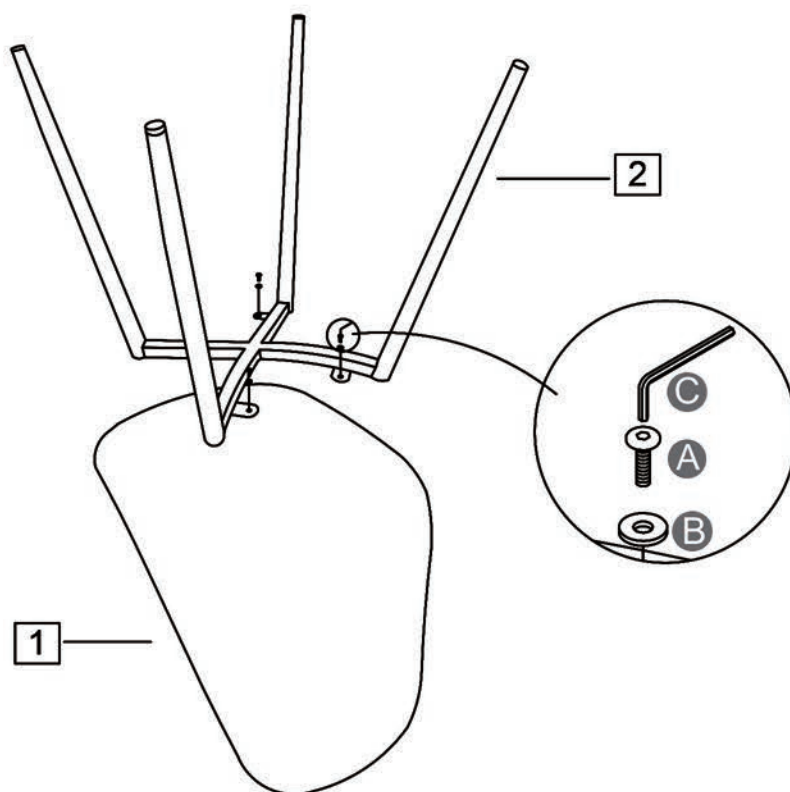
Step 1

Place the seat **1** on a flat surface (ie. table top) with the back overhanging.

Line the legs **2** up with the seat holes.

Using fixings tighten the legs onto the seat.

Using allen key **C** tighten the legs onto the seat with fixings **A** & **B**.



Step 3

Assembly completion

Sit on the chair and fully tighten all bolts.

