

SWIVEL CHAIR

1

Ax1



Bx1

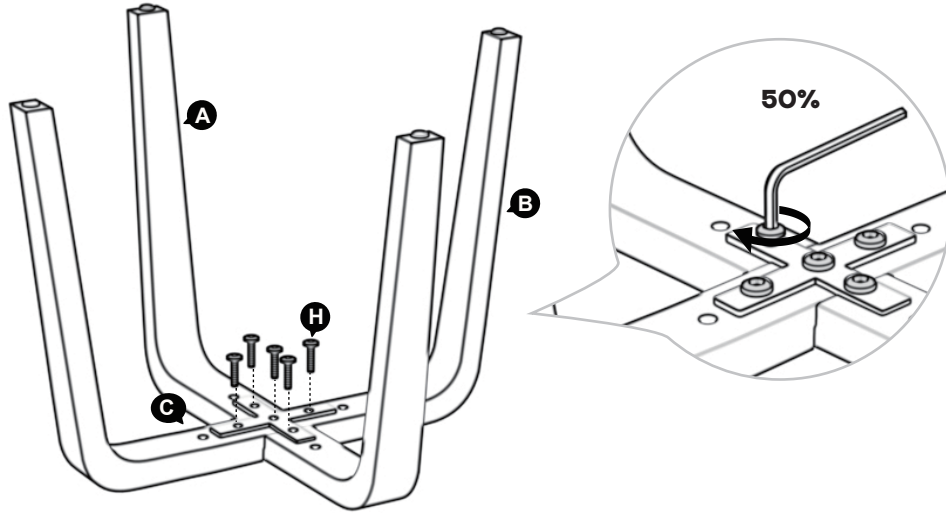


Cx1



Hx5

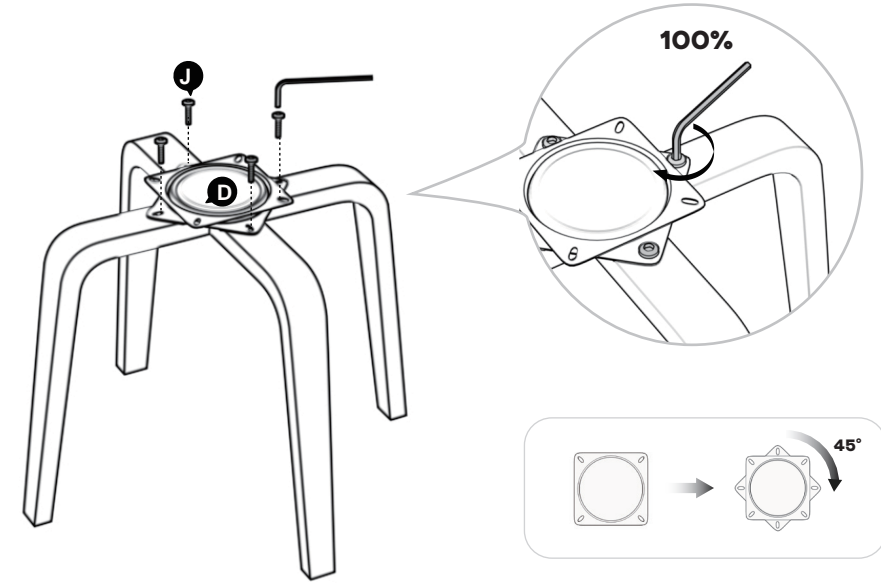
Noted:
Tight the screws
(H) 50% in Step 1

**2**

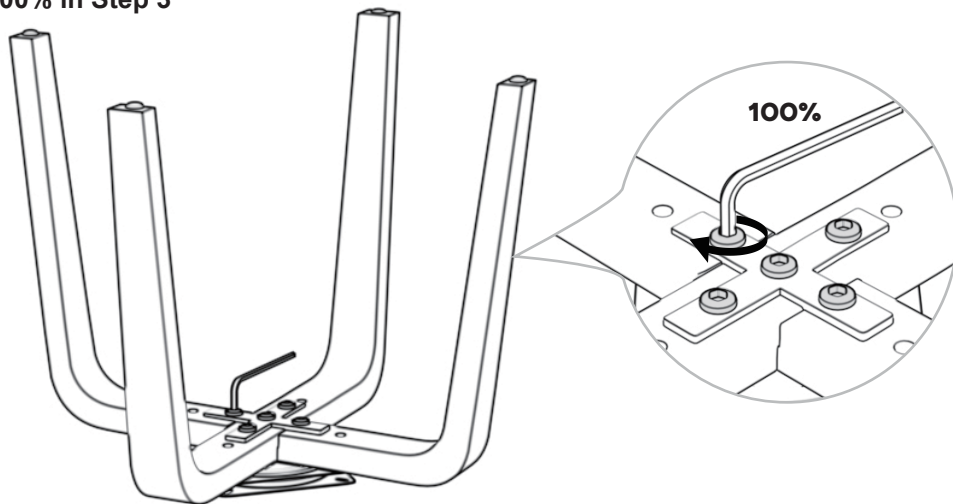
Dx1



Jx4

**3**

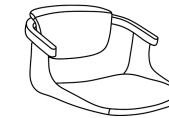
Noted:
Tight the screws(H)
100% in Step 3

**4**

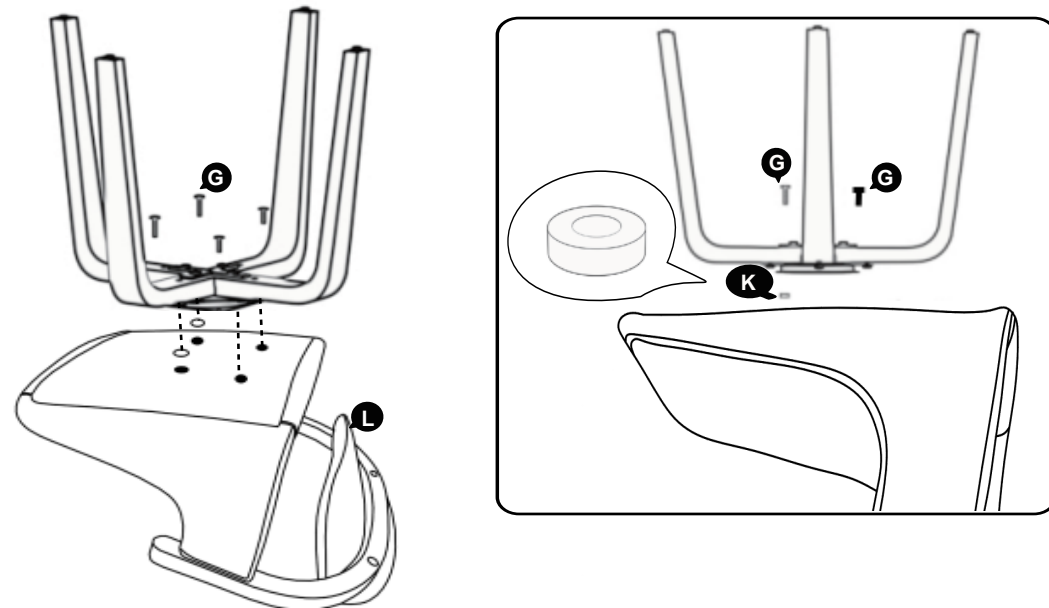
Gx4



Kx2



Lx1

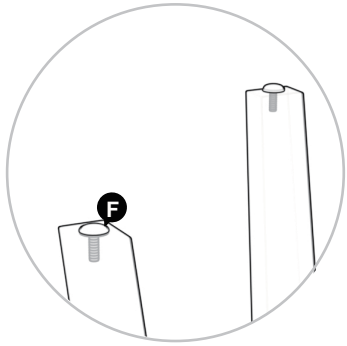


5

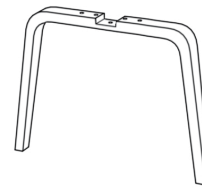


Fx4

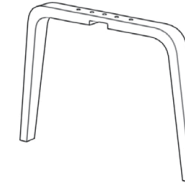
Last step, please adjust the chair to the horizontal position, otherwise the wooden foot may break risk.



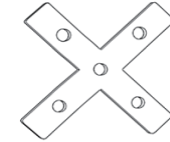
SPARE PARTS



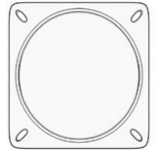
Ax1



Bx1



Cx1



Dx1

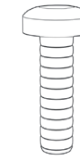


Ex1



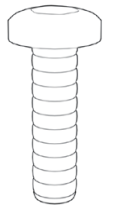
Spare foot p in

Fx1



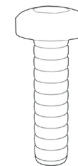
M6X20mm

Gx4+1Ext



M6X30mm

Hx5+1Ext



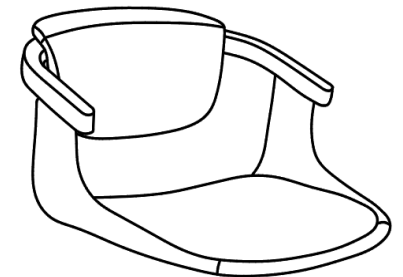
M6X25mm

Jx4+1Ext



5mm thickness
Rubber Washer

Kx2+1Ext



Lx1