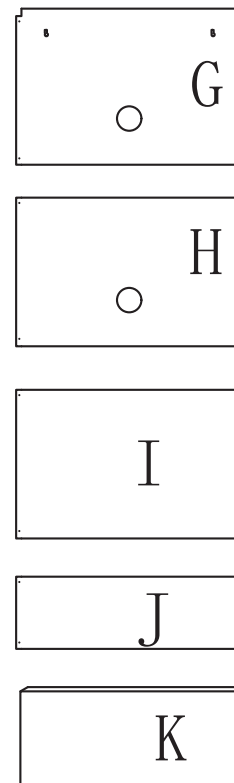
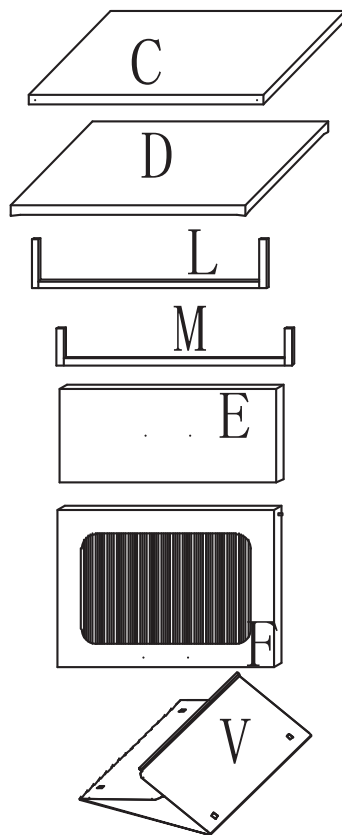
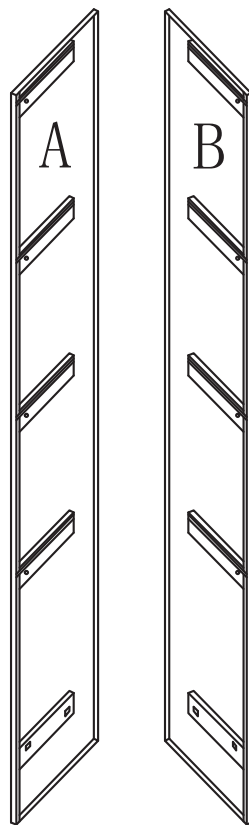












Important

Thank you for your purchase.

Please open it carefully Returns will only be accepted in the original package.

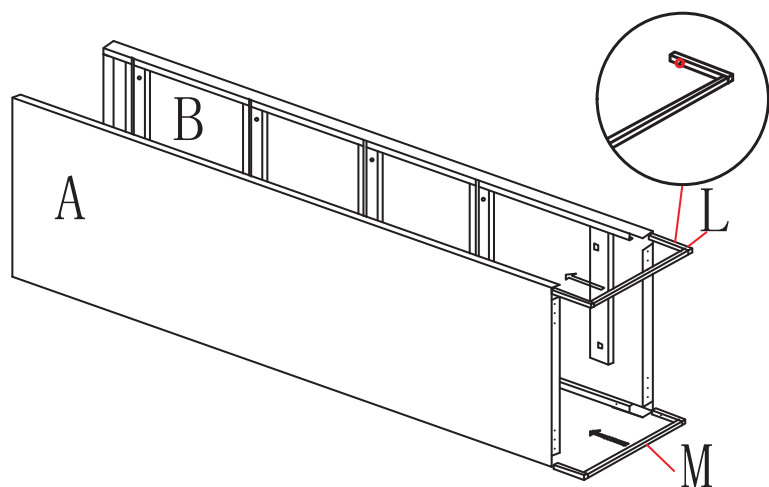
If there are any quality issues,



	N*60
	O*8
	U*4
	T*4
	Y*40
	R*2
	S*5
	X*2
	P*1
	Q*1

A\*1 B\*1 C\*4 D\*1 E\*1 F\*4 G\*1 H\*1 I\*2 J\*1 K\*1 L\*1 M\*1 V\*1

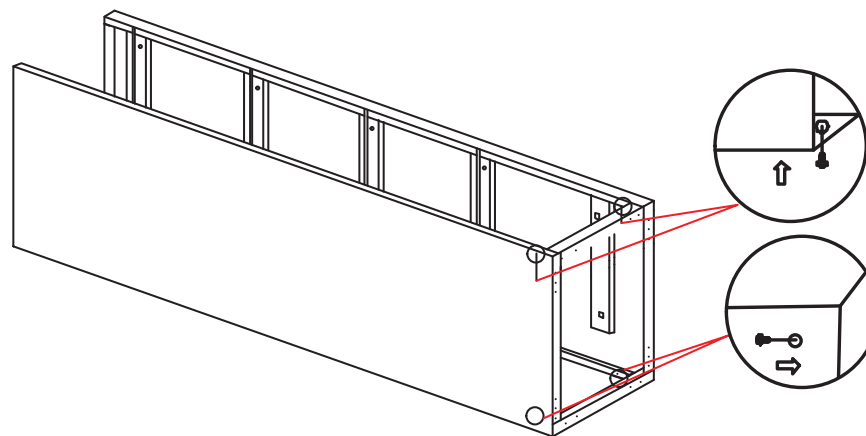
The perforated side faces down



The short side of L is longer than the short side of M.

1

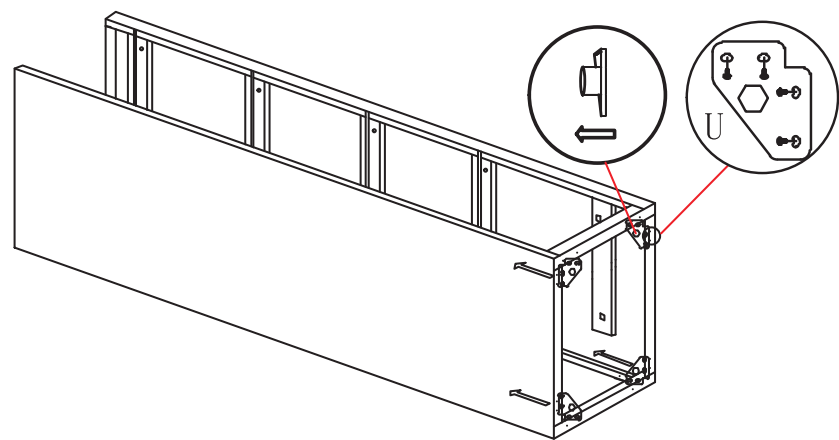
2



 N\*4

3

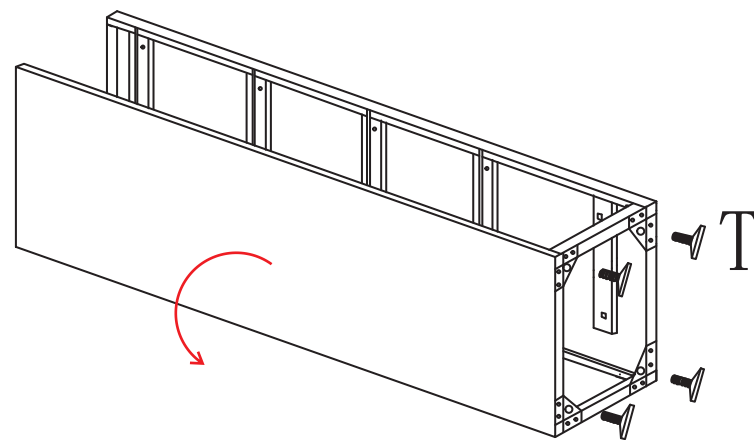
4



First put U away, then fix U with N.

 N\*16

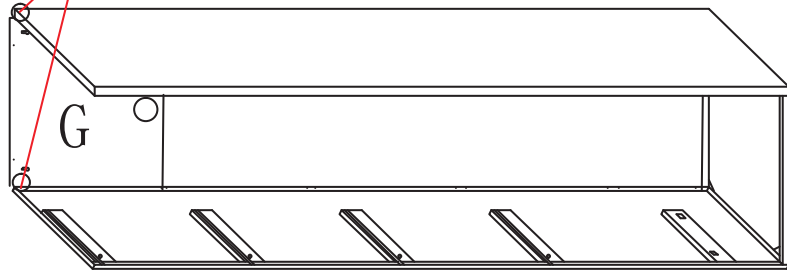
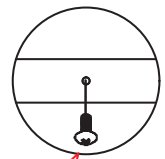
 U\*4



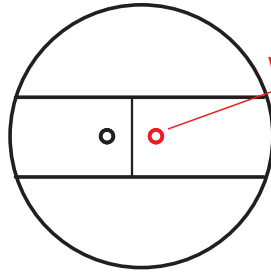
Before installation ,Place rotate the cabinet 90°

 T\*4

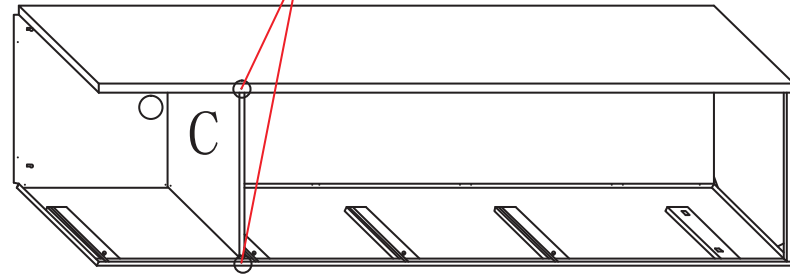
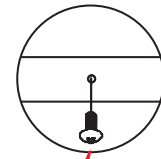
5



 N\*2

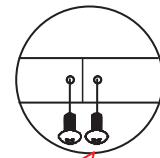
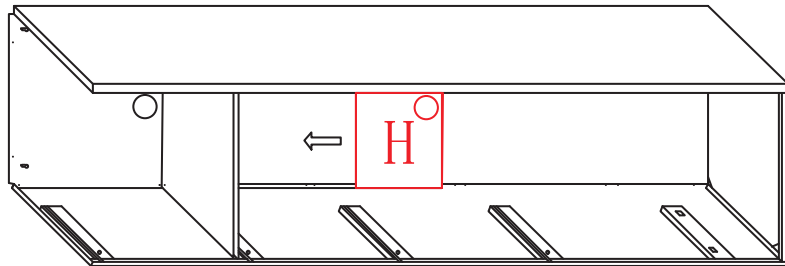


When installing C, put the screw hole on C corresponding to this hole position.

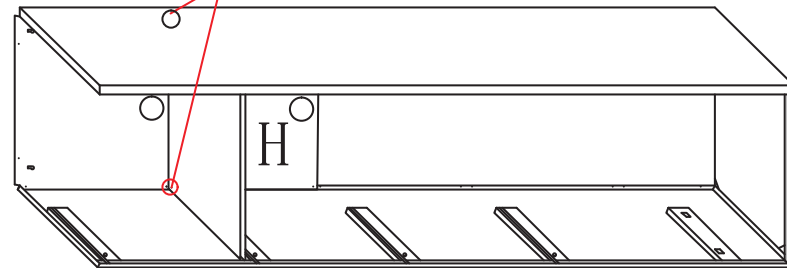


 N\*2

6

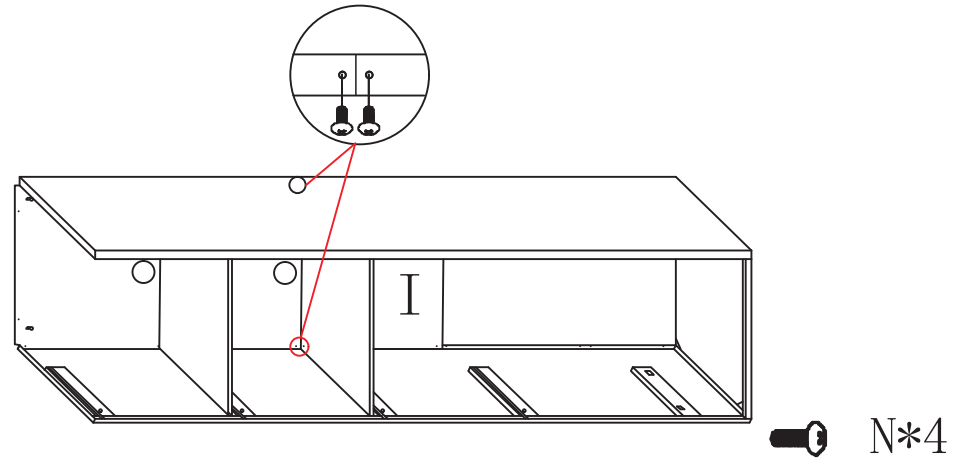
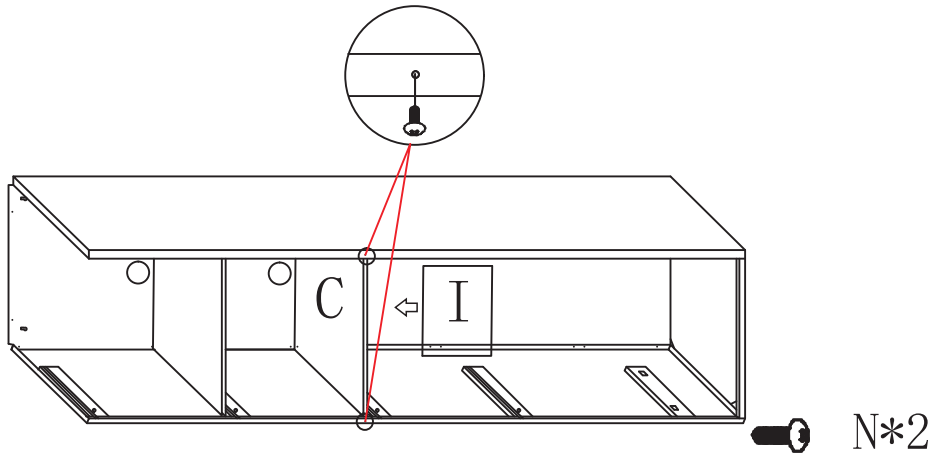


Automatically check H into C.

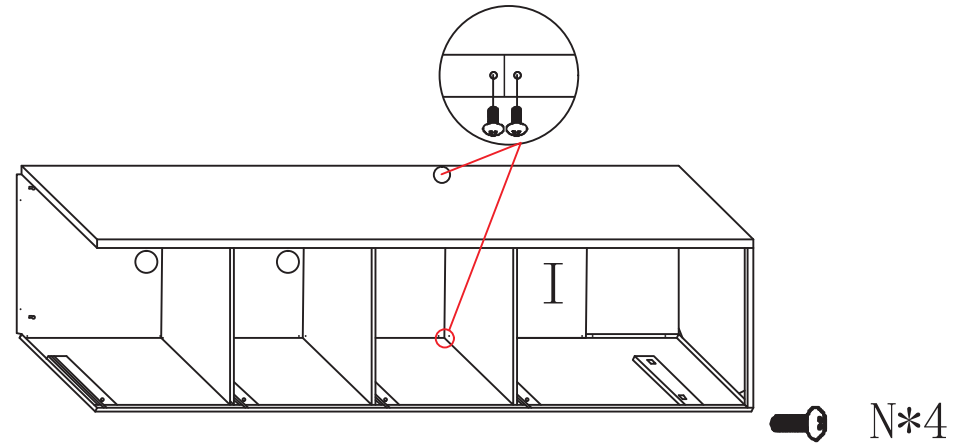
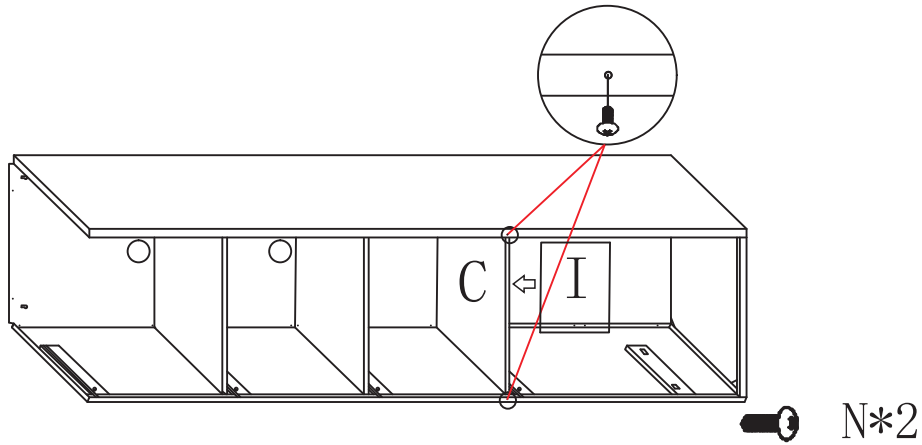


 N\*4

7

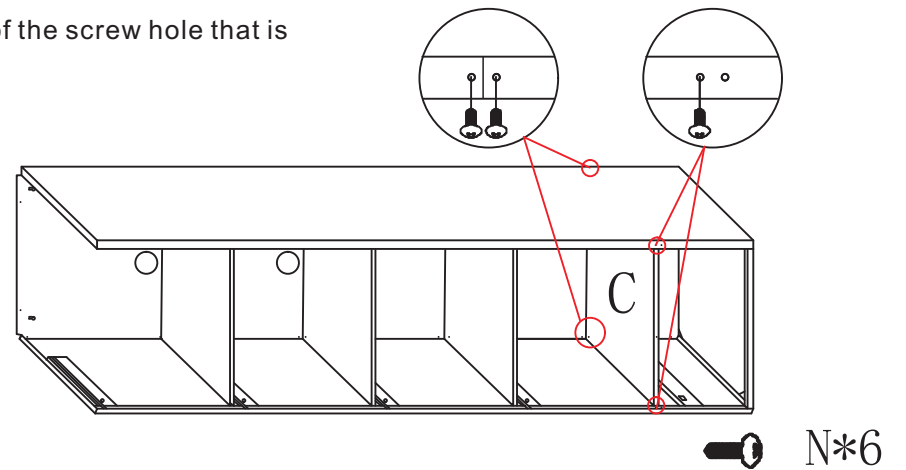
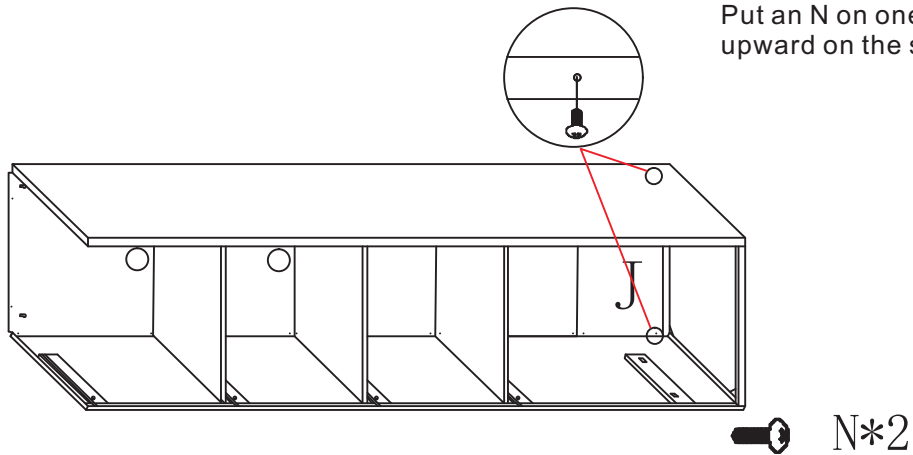


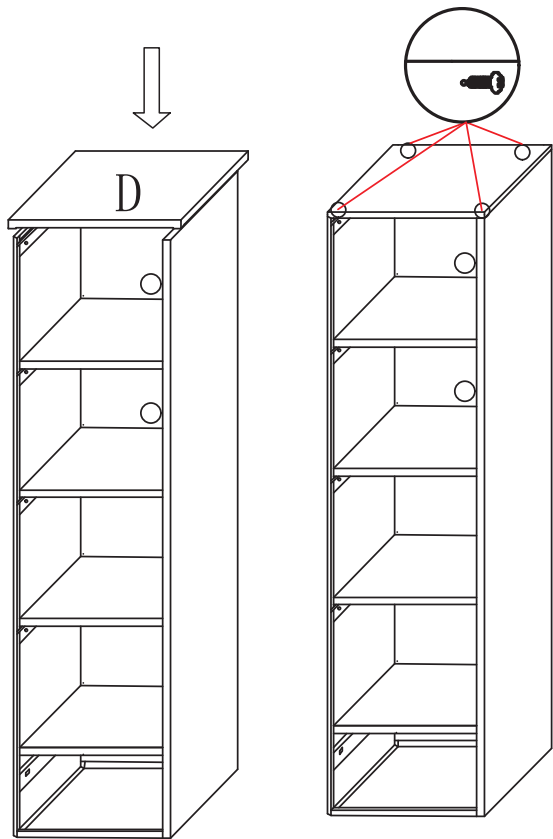
8



9

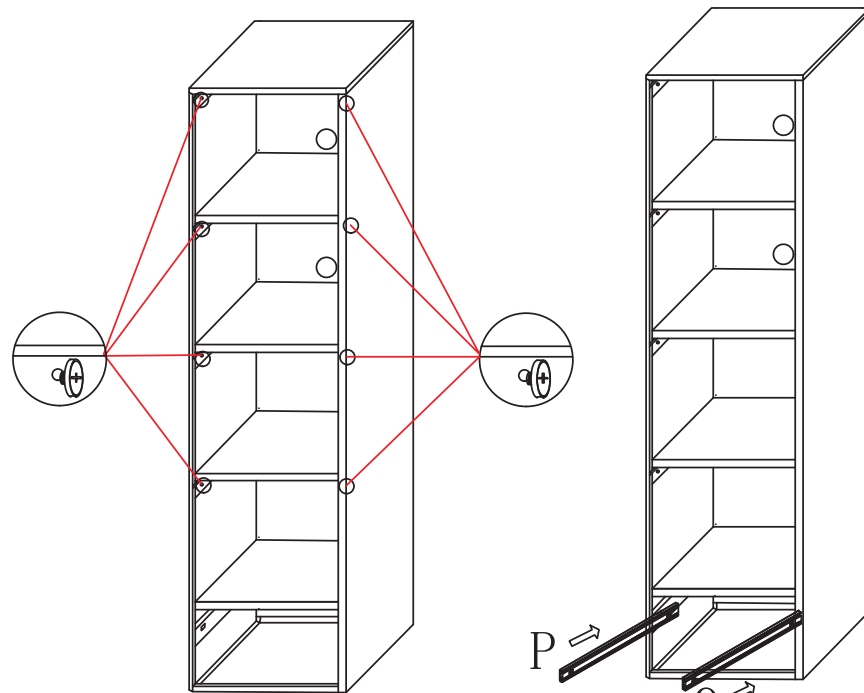
Put an N on one side of the screw hole that is upward on the side.





 N\*4

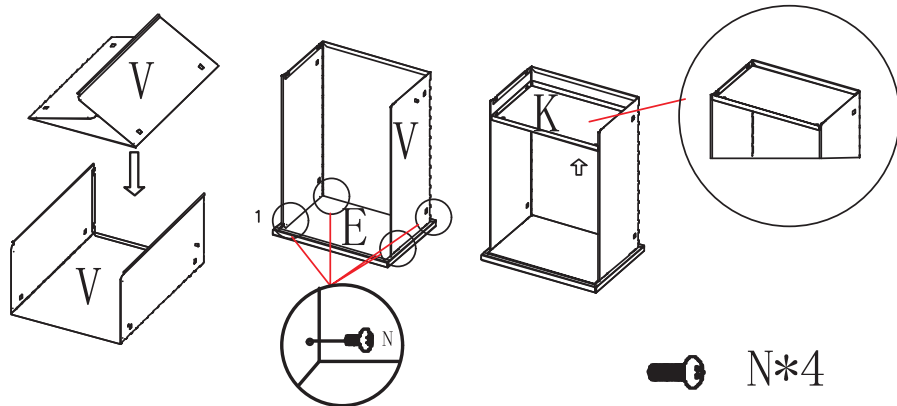
10



 O\*8

11

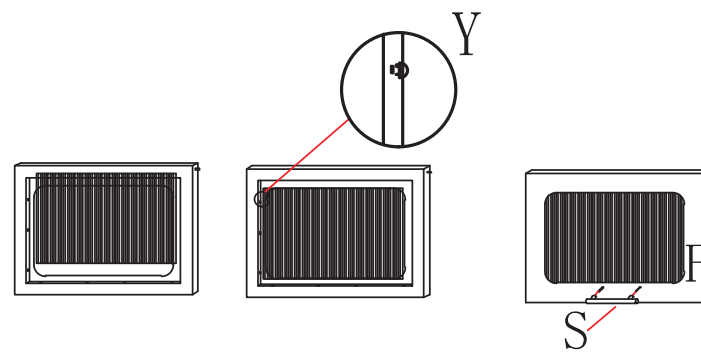
Fold V to 90 as shown in the figure, and then fix V on E with N according to the screw hole.



 N\*4

12

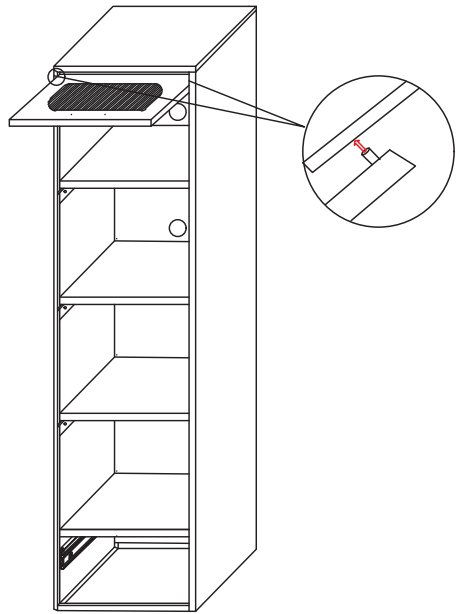
13



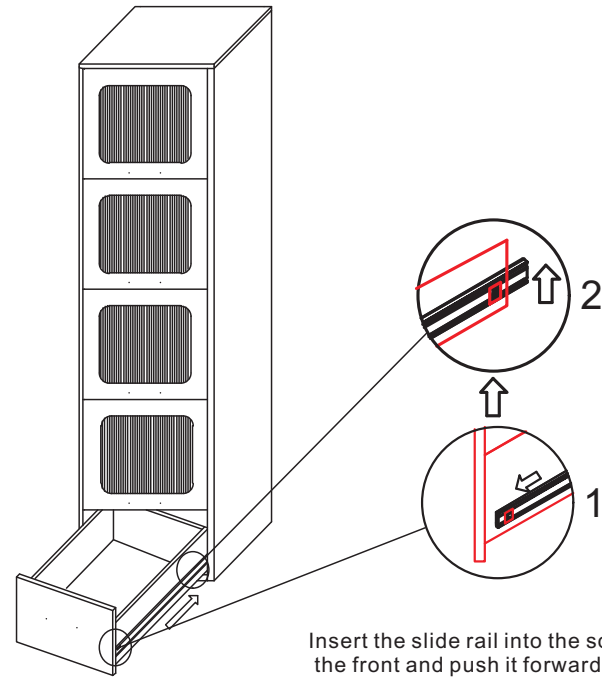
 Y\*40

 S

14

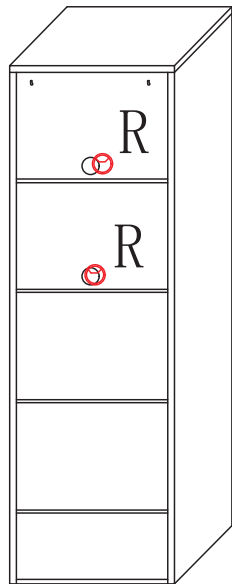


Press down the protrusions on both sides of F and put them into the chute as shown in the figure.

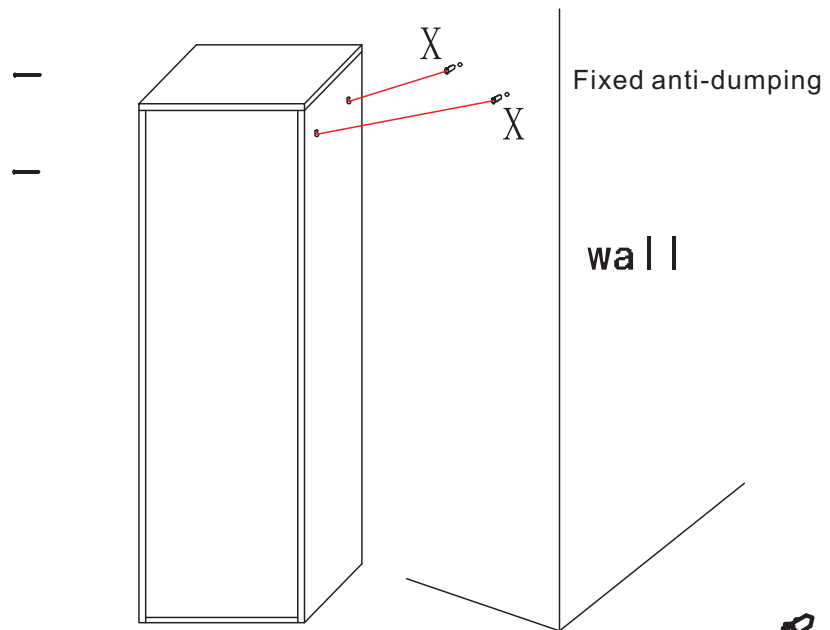


Insert the slide rail into the square hole in front of V from the front and push it forward, then insert it into the square hole in the back and lift it up.

15



○ R\*2



— X\*2