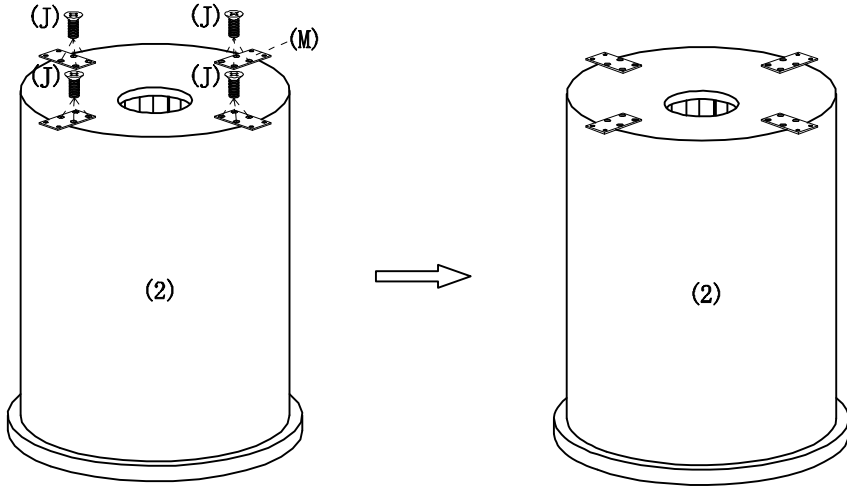
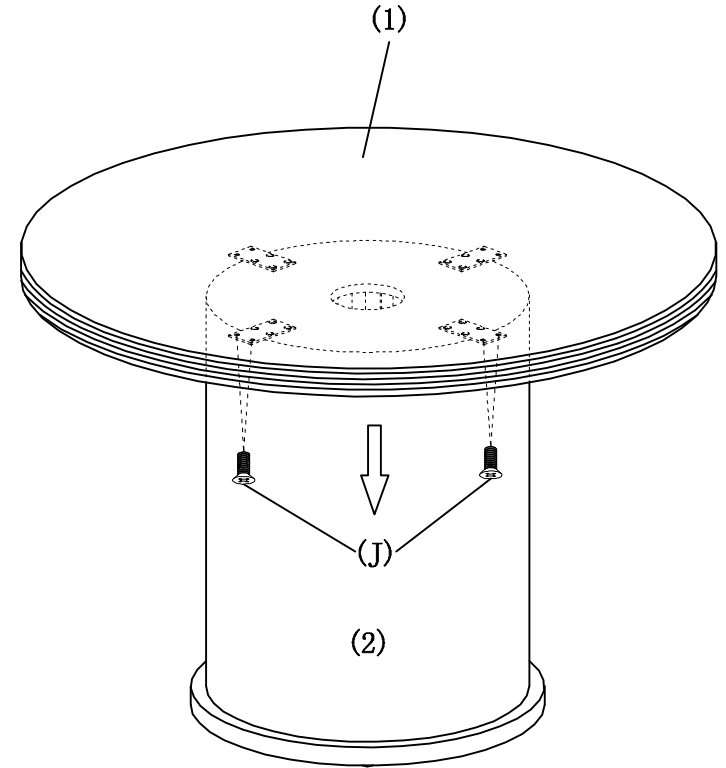


(1)	(2)	(M)	(J) M6*15
1PCS	1PCS	4PCS	24PCS+2

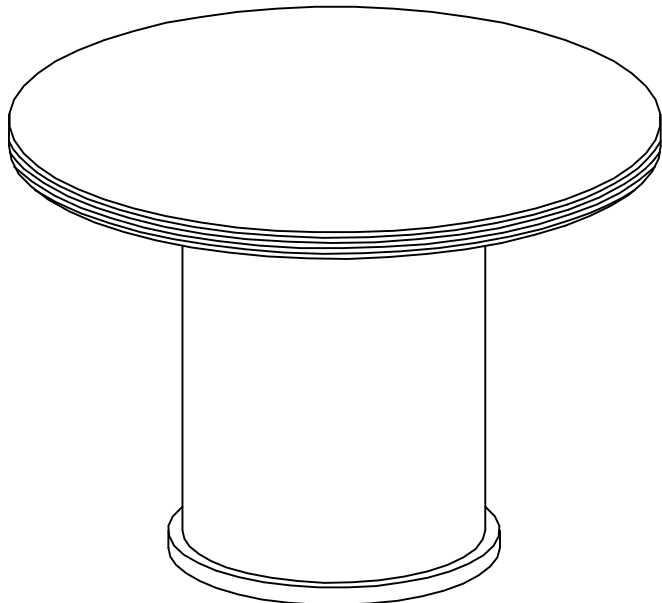
STEP 1



STEP 2



STEP 3



NAME: 42" ROUND TABLE
 TYPE:
 SPECIFICATION: $\varnothing 42'' * 29'' H$