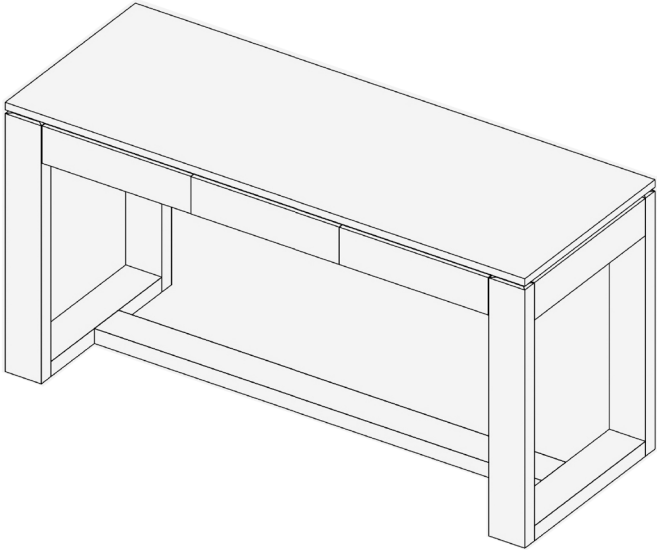







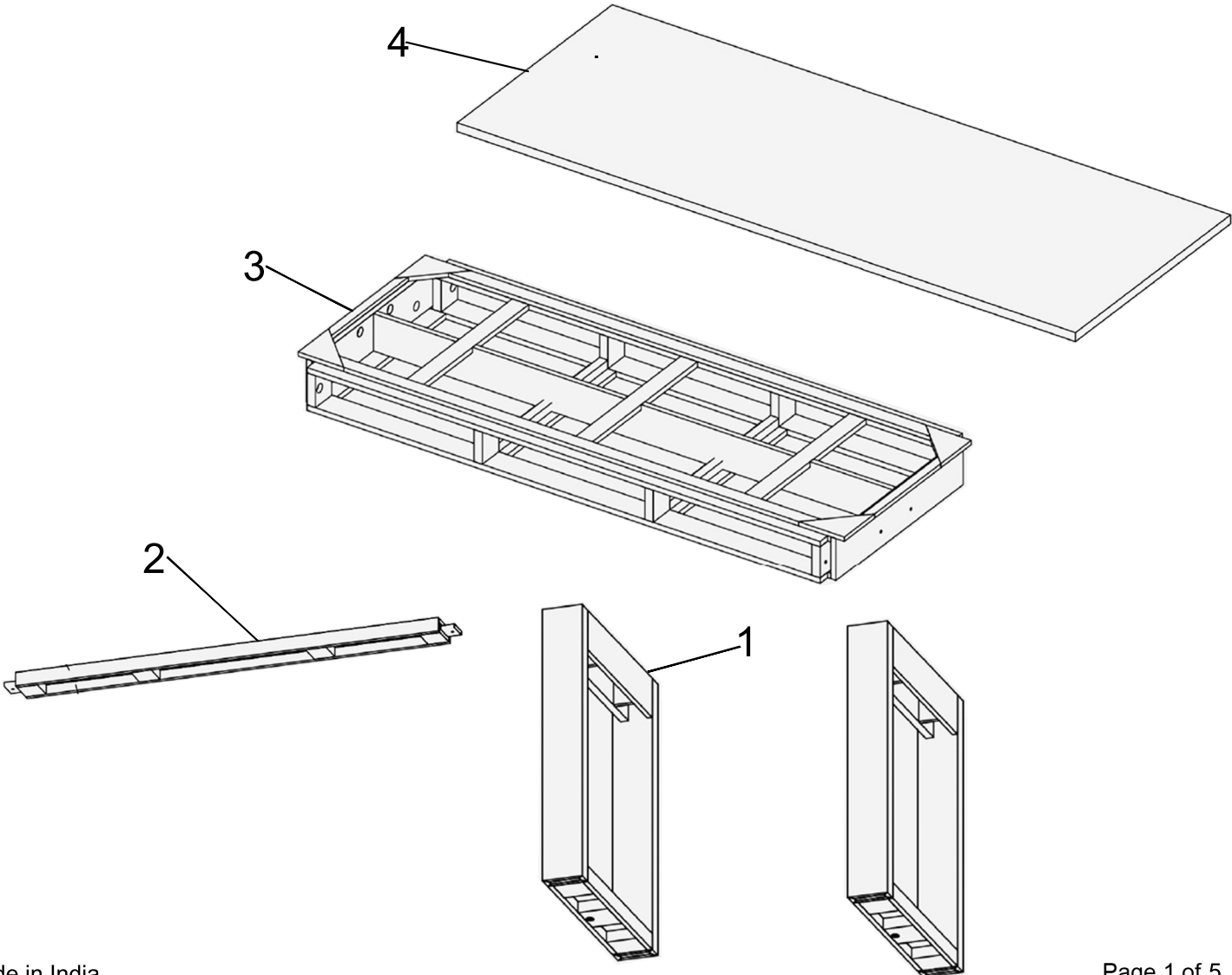
ASSEMBLY INSTRUCTION FOR

Bar/Counter Table

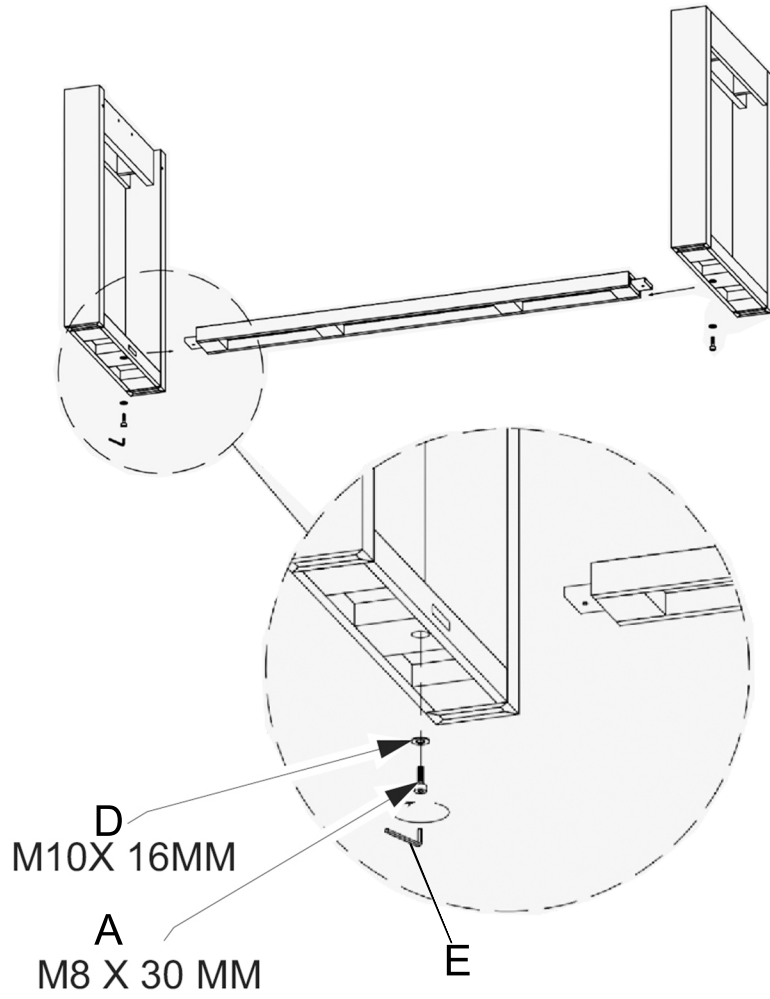


Hardware List

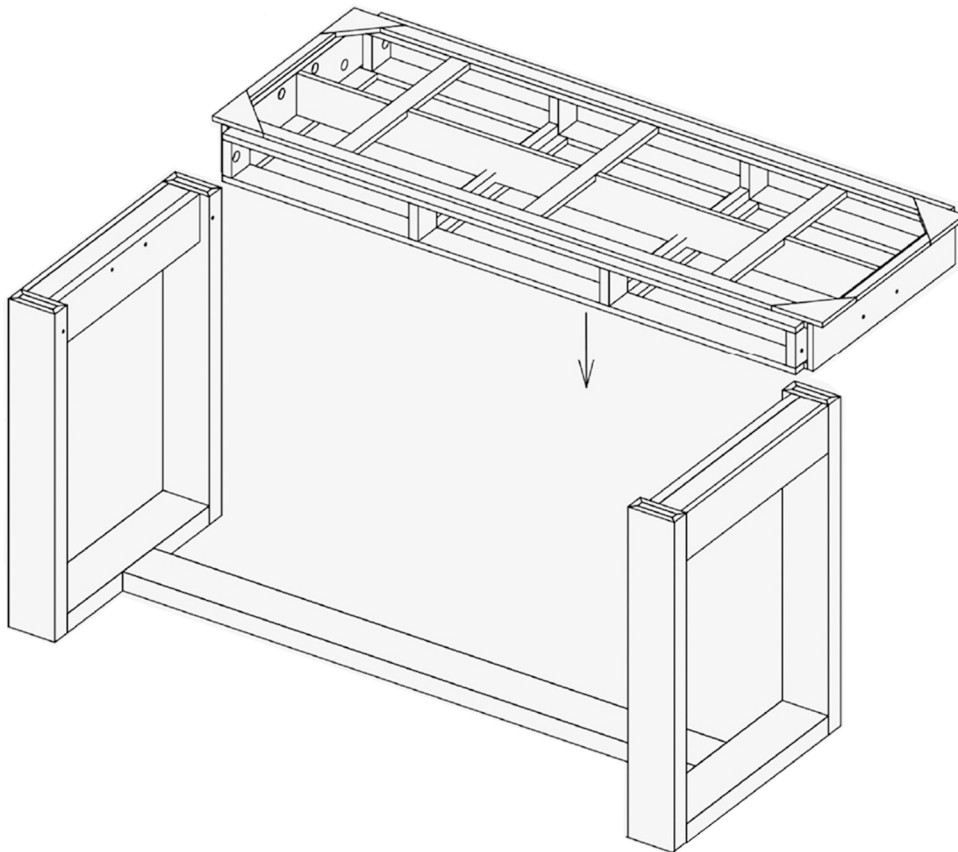
A		Allen Bolt	M8 X 30MM	2
B		Allen Bolt	M8 X 35MM	12
C		Washer	10 X 25MM	12
D		Washer	10 X 16MM	02
E		Allen Key	6MM	01



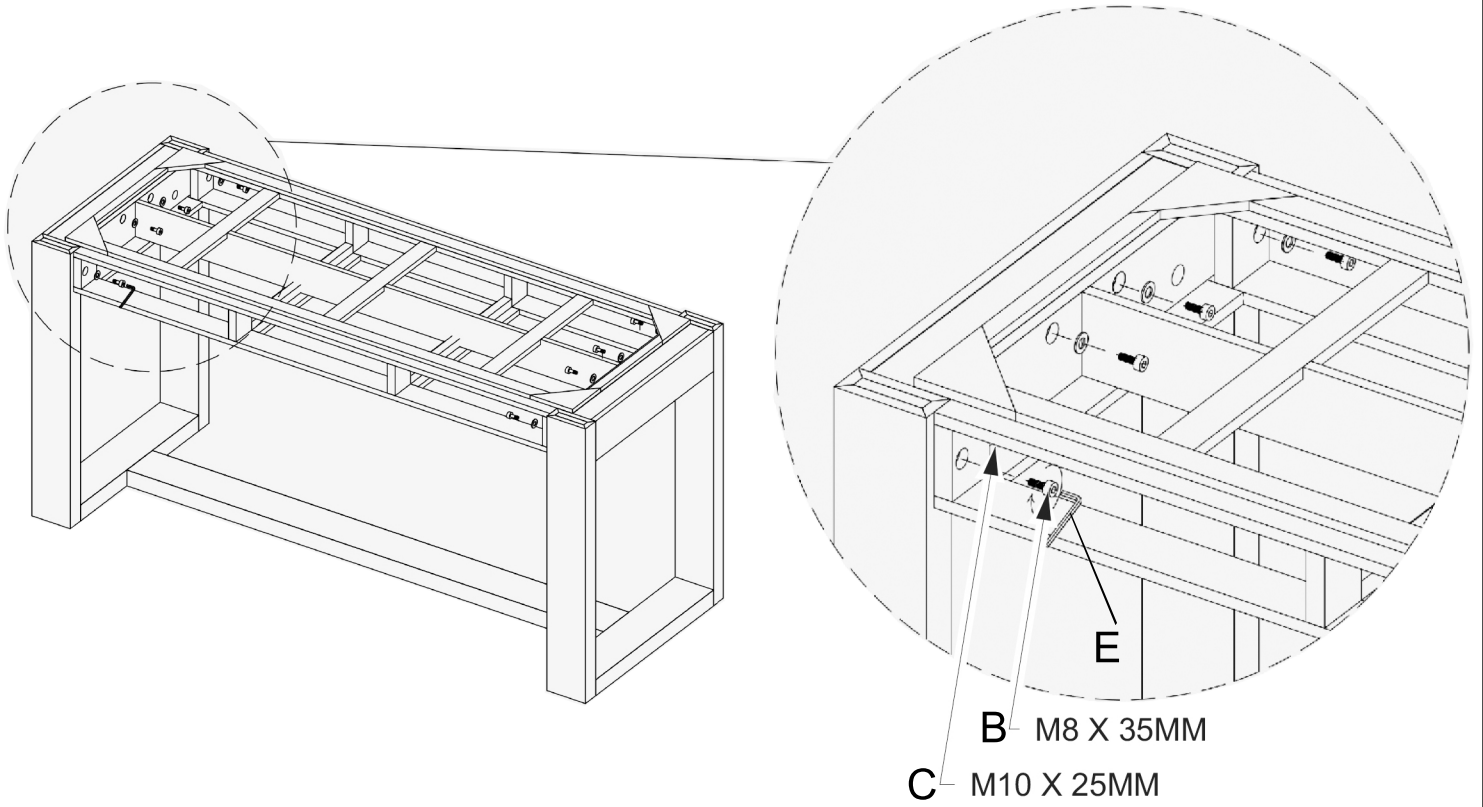
Step 1



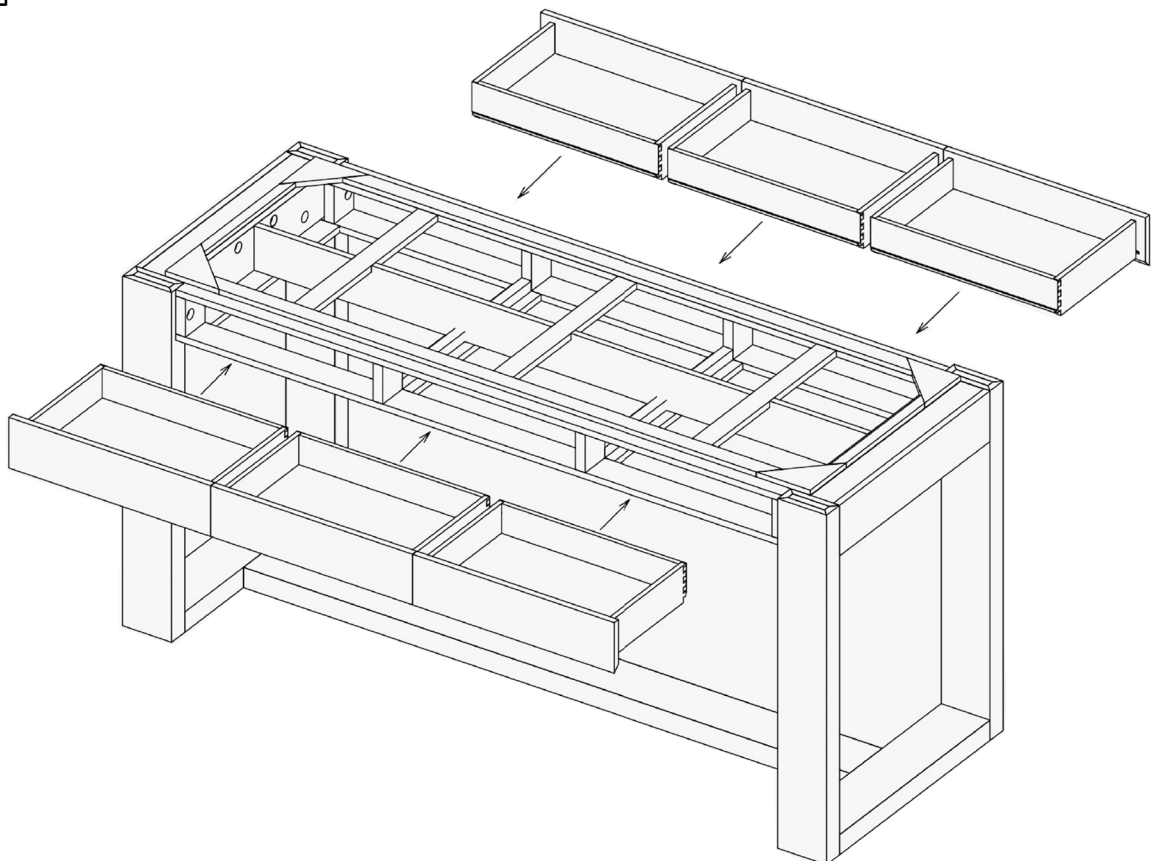
Step 2



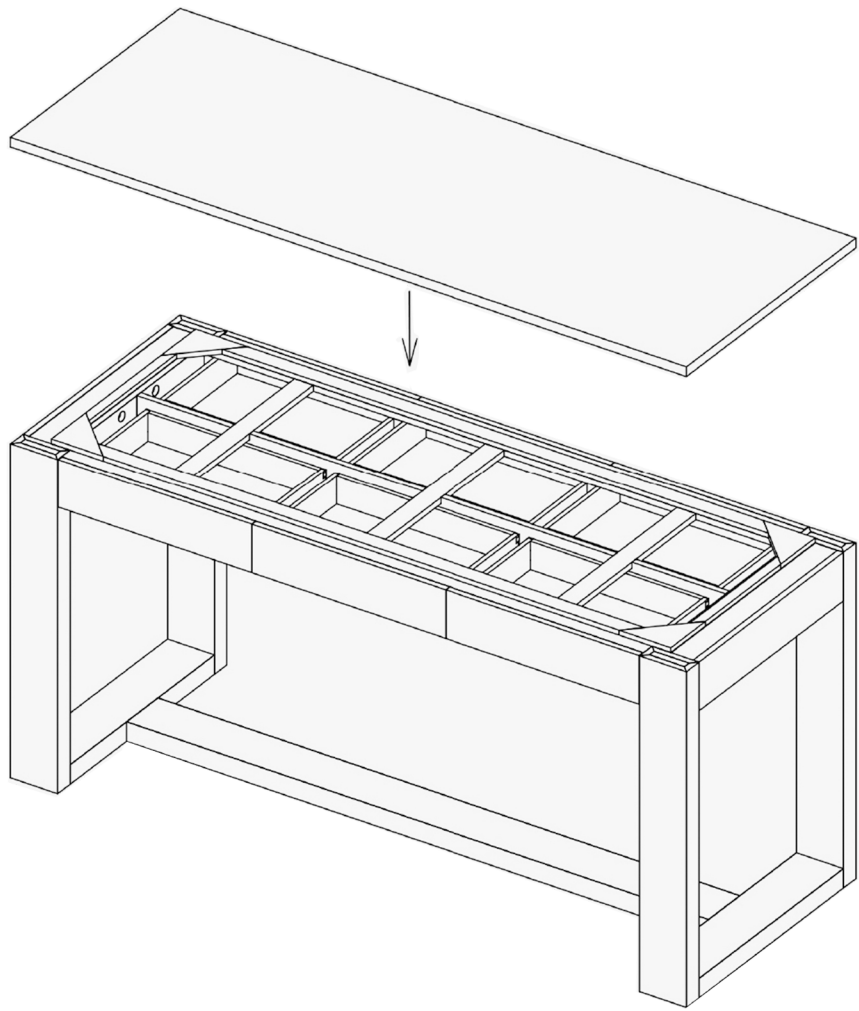
Step 3



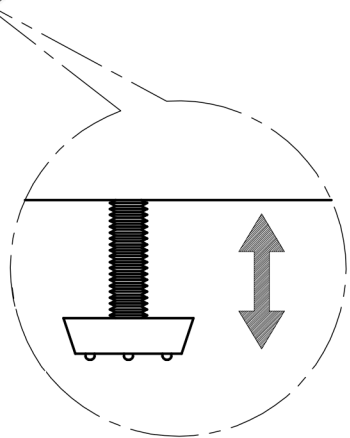
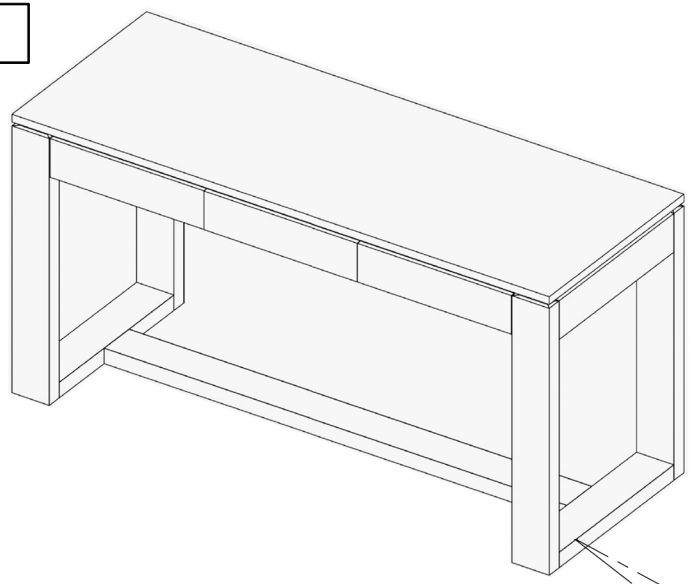
Step 4



Step 5



Step 6



Step 7

