



Instruction, Use & Care Manual

Please save this manual for future reference.

Thank you for purchasing this Winsome House product. This product has been manufactured with the highest standards of safety and quality.

Product Name:	LED Solar Post Cap
SKU #:	WHSL447

Operating Instructions

BEFORE USING THIS PRODUCT: READ, UNDERSTAND AND FOLLOW THESE INSTRUCTIONS.

How Your Solar Post Cap Light Works:

During the day, the solar charge panel included with this LED Solar Post Cap converts sunlight into electricity recharging the batteries. Using this stored energy, the LED light turns on automatically at night with the electricity stored in the batteries. It requires no wiring, because it runs off the sunlight energy to recharge the batteries.

The number of hours the light stays on depends on your geographical location, weather conditions, and seasonal sunlight availability.

Easy "Do-It-Yourself" installation.

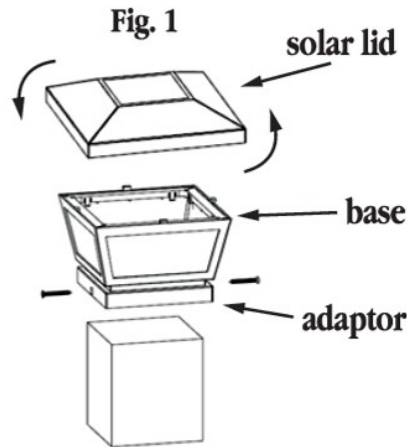
Choosing a Location for Your Solar Motion Light:

- The solar light must be located in a position where it can get direct sunlight on the solar panel, and generally free from cover and shade.
- Make sure that the photo sensor on the lamp body is not going to be affected by another light source, otherwise the light will not illuminate at dusk.
- The solar light must be left to charge for 24 hours in direct sunlight before first time use so that the best results are achieved.

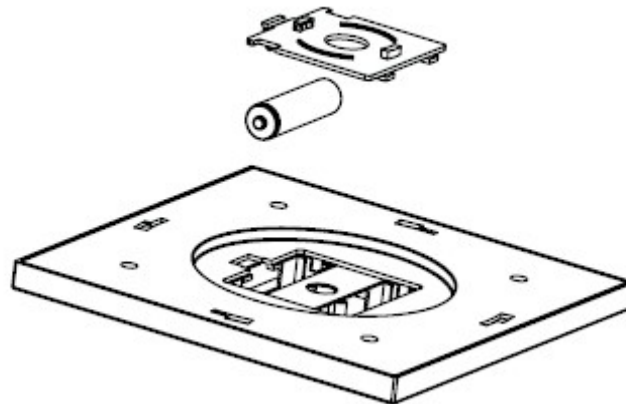
Product Name:	LED Solar Post Cap
SKU #:	WHSL447

Installation Tips

Post Cap Installation



- Twist the solar lid counter clockwise to remove the cap base as shown in Figure 1 above.
- Install the rechargeable battery included in the packaging. Make sure the polarity is correct. See Figure A.



- Twist the solar lid back into place.
- Twist the correct size adaptor into cap base as required, and place the fixture onto the post.
- Secure fixture using two mounting screws provided. An exterior grade caulk may be applied to the bottom inside edge of the base before installation for added security.
- Allow at least 24 hours of sunlight to fully charge the battery for initial use.



Instruction, Use & Care Manual

Please save this manual for future reference.

Product Name:	LED Solar Post Cap
SKU #:	WHSL447

Replacing the Battery

For best results, batteries should be replaced every 1-2 years.

- Twist the solar lid counter clockwise to remove the cap base as shown in Figure 1 above.
- Replace the battery with a new AA size rechargeable battery (AA Ni-MH Rechargeable Battery). Be sure to insert the battery in the proper direction.
- Twist the lid back into place.
- Allow the fixture to receive a full 24 hours of sunlight to allow the new rechargeable battery to reach maximum capacity.

Maintenance

To keep your solar light looking new, keep the lens free of dust and deposits by wiping occasionally with a dry cloth or with warm soapy water if necessary.

Most important, ensure that the solar panel is kept free of dirt and debris at all times. A dirty solar panel will not allow the batteries to fully charge, and this will shorten the life of the batteries and may cause the light to not function properly.

Technical Specifications

LED Light Setting:	10 Lumen
Rechargeable Battery Type:	AA Ni-MH Rechargeable Battery
Solar Panel:	Amorphous silicon

Troubleshooting:

Light will not switch on when	<ul style="list-style-type: none"> • Ensure that the power switch on the main body has been turned to the ON position. • Ensure that the battery has been fully charged in direct sunlight for one sunny day. • Check to see that the solar panel is not near the night time light sources, such as street lights.
Light switches on during the day	<ul style="list-style-type: none"> • Ensure the post light is not placed in shady area. • Ensure the solar panel is facing towards direct sunlight.
Light quickly flashes on and off	<ul style="list-style-type: none"> • Battery charge may be low. Turn the power switch to the OFF position and charge the battery for two (2) sunny days, ensuring the solar cell charge panel has been placed in direct sunlight.
Light is not as bright as normal	Battery charge may be low. Turn the power switch to the OFF position and charge the battery for two (2) sunny days, ensuring the solar cell charge panel has been placed in direct sunlight.

