

TOOLS REQUIRED

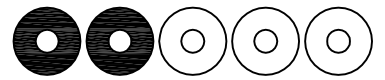


Allen Wrench
(Included)



2 - Persons
Recommended

ASSEMBLY RATING



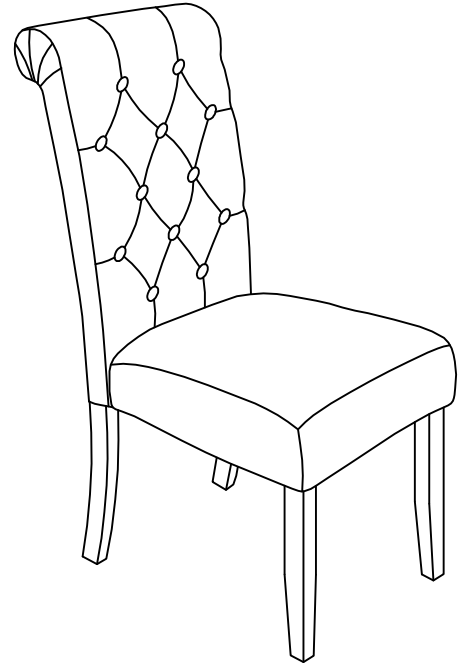
EASY —————> DIFFICULT

The Assembly Rating is a 5-point system showing the level of effort needed to assemble a specific product.

CHAIR

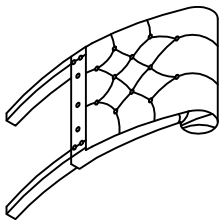


- Please keep instructions for future reference.
- Check the quantity and irregularity of parts and hardware before you start.



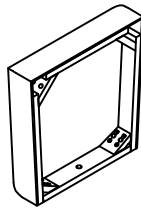
PARTS

#1 1pc x 2



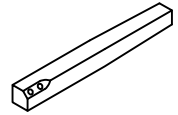
Backrest w/Legs

#2 1pc x 2



Seat Cushion

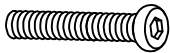
#3 2pcs x 2



Front Leg

HARDWARE

#A 4pcs x 2



Bolt Ø5/16" x 3-1/2"

#B 5pcs x 2



Bolt Ø5/16" x 2-1/4"

#C 9pcs x 2



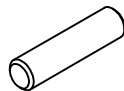
Lock Washer Ø5/16"

#D 9pcs x 2



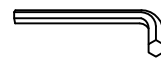
Flat Washer Ø5/16" x 7/8"

#E 2pcs x 2



Wood Dowel Ø10 x 30mm

#F 1pc x 2

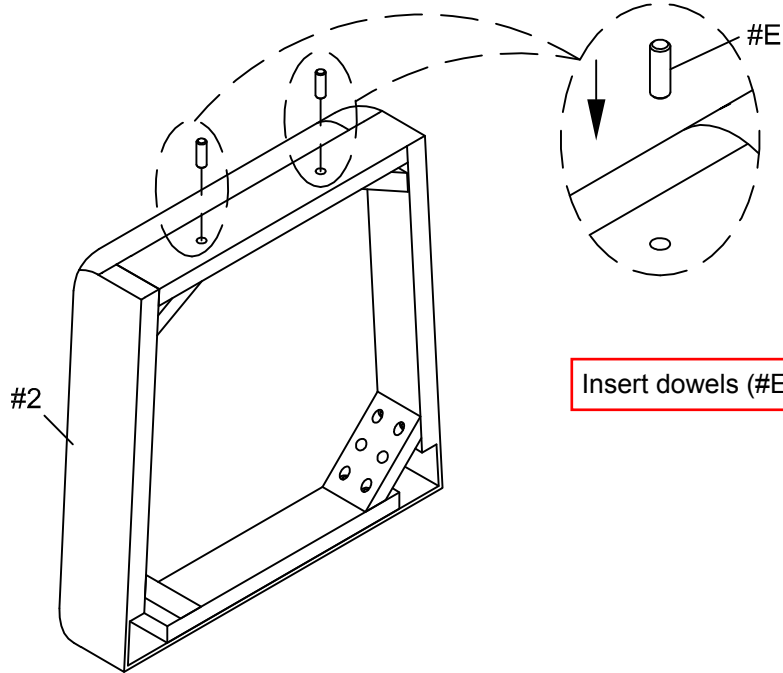


Allen Wrench Ø5mm

ASSEMBLY INSTRUCTIONS

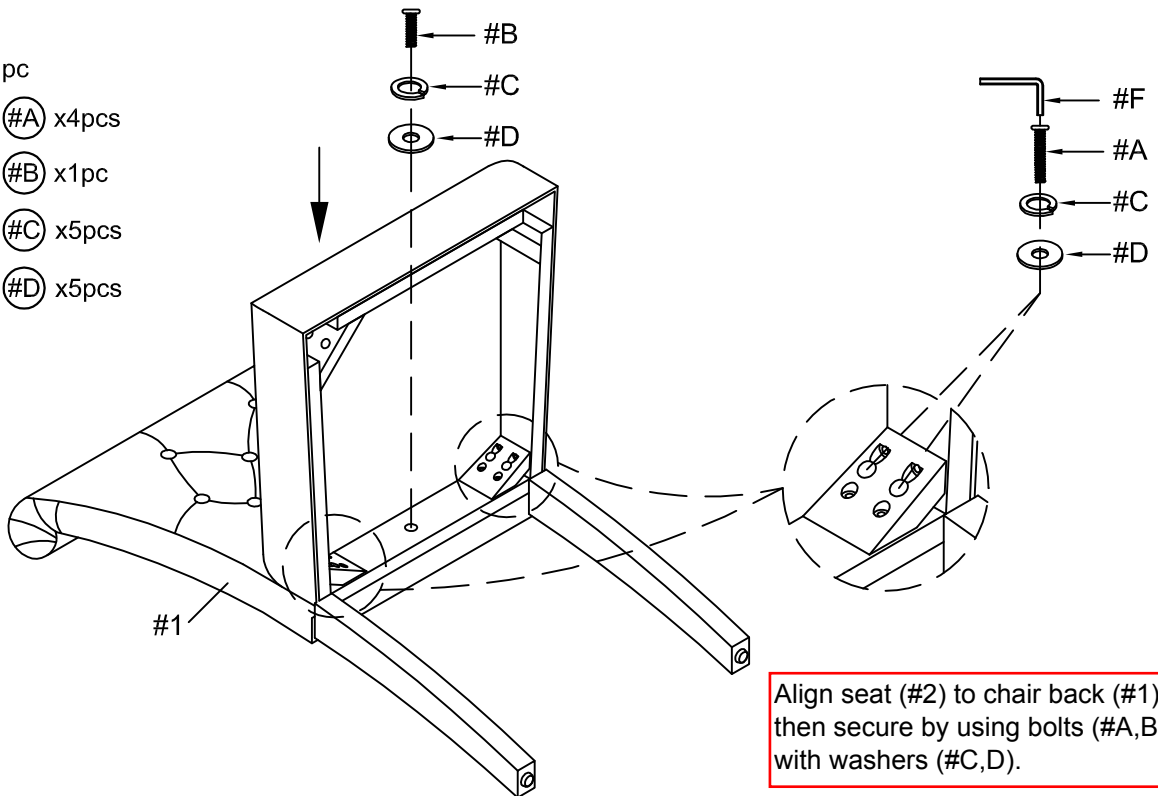
1

Part #2 x1pc
Hardware #E x2pcs



2

Part #1 x1pc
Hardware #A x4pcs
Hardware #B x1pc
Hardware #C x5pcs
Hardware #D x5pcs



ASSEMBLY INSTRUCTIONS

3

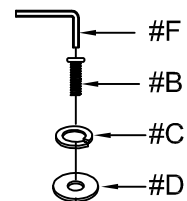
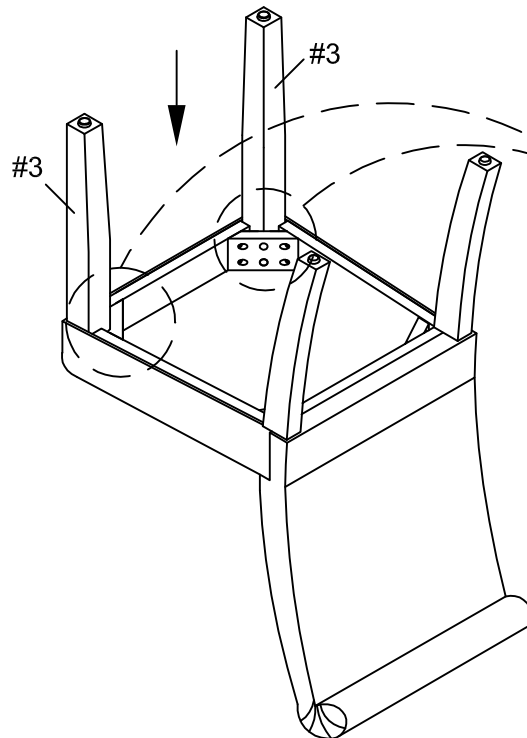
Part #3 x2pcs

Hardware #B x4pcs

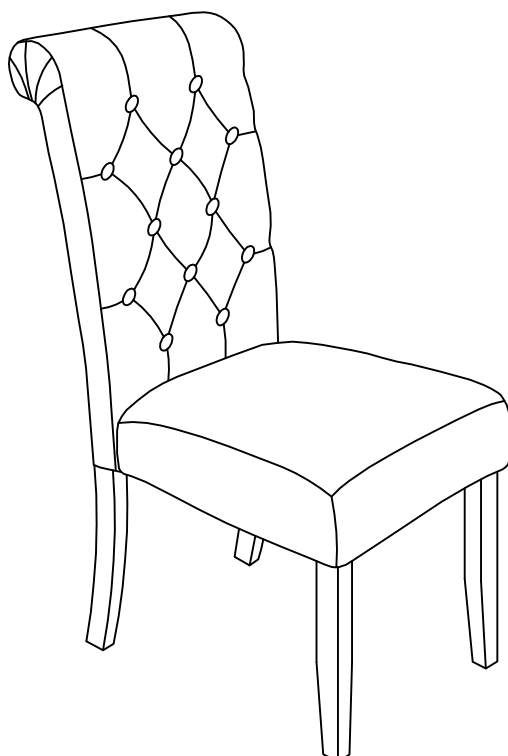
Hardware #C x4pcs

Hardware #D x4pcs

Align front legs (#3) to the seat, then secure by using bolts (#B) with washers (#C,D).



4



ASSEMBLY COMPLETED



Please ensure the furniture rests on an even and flat surface. If the product wobbles or feels loose, double-check all bolts and/or screws are properly tightened and secured.



Keep this handy!

Please retain this instruction manual and any order-related information for future reference.