

■ After-Sale Support

Dear Customer,

Thank you so much for purchasing our product. We sincerely appreciate your choice to incorporate our product into your living space.

Our goal is to build a mutually beneficial relationships with customers and we aim to be a reliable and recommendable brand.

We sincerely hope this product meets your expectations and that you would consider us again for your future needs.

When you receive the package, please kindly double check your package and accessories to be sure that you have all the necessary parts.

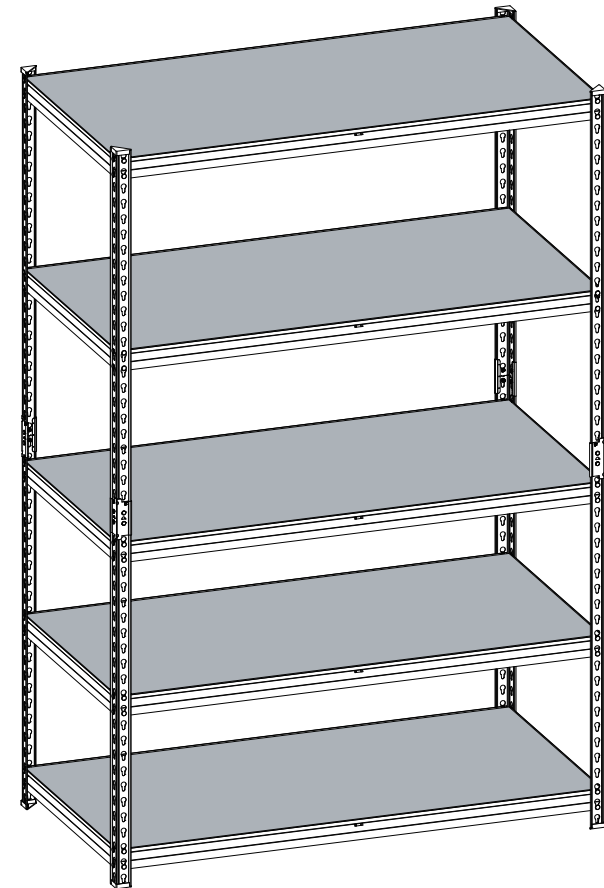
Should you have any questions, please contact us through the original purchase platform.

We will reply to each message within 24 hours and spare no efforts to help you as always.

Thank you once again for choosing us. Here's to creating wonderful memories and comfortable spaces together!

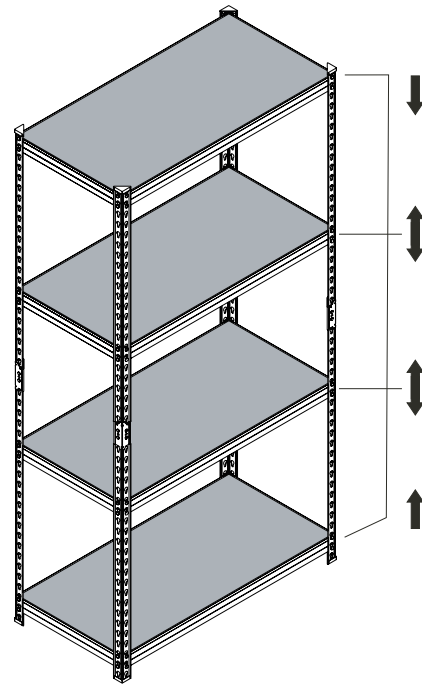
Kindest Regards,
Customer Care Team

ASSEMBLY INSTRUCTIONS



REMARK

1. The heights of steel boards is highly adjustable which you can customize according to your needs during installation.



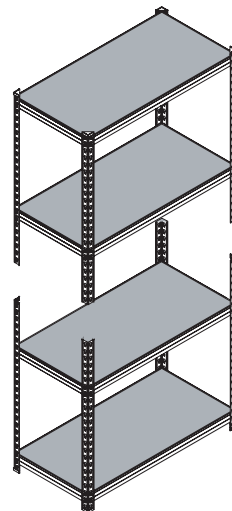
2. It's able to be separated into 2 independent shelves.

3. For longer usage lifespan, please place the product in a cool and dry environment.

4. For safety concerns, **DO NOT** stack too high on the top shelf.

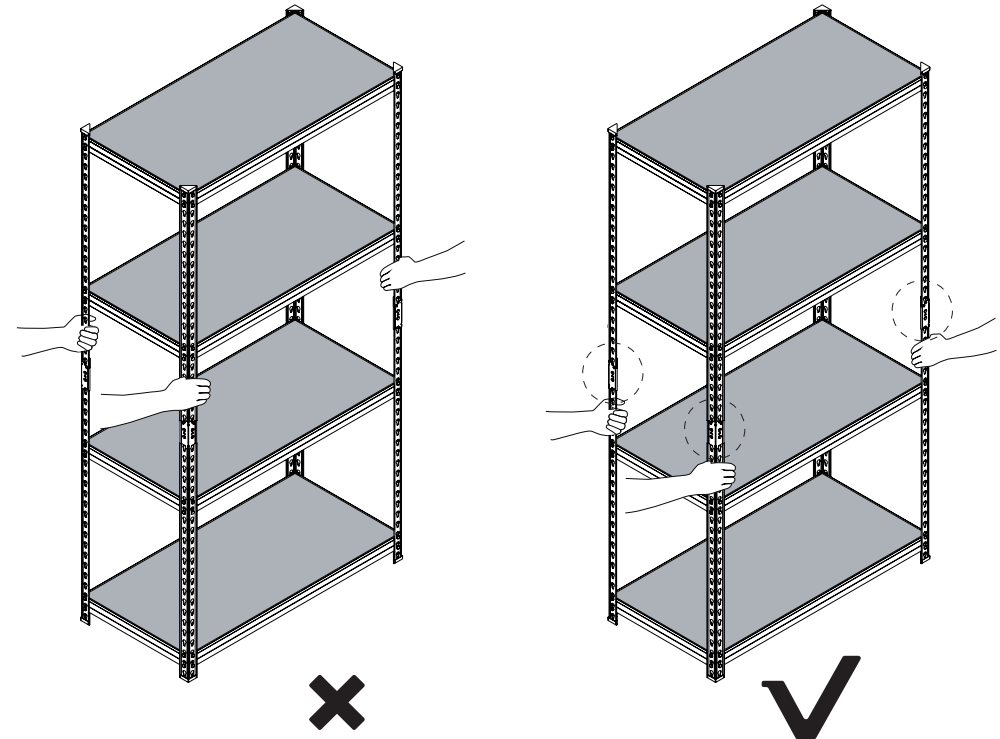
5. Please **DO NOT** place items heavier than the maximum weight described on the product page.

6. Wear gloves before installation.



⚠ WARNING

For safety concerns, please hold the lower part under the connectors when moving the shelves.

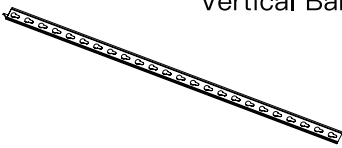


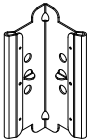
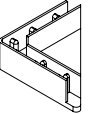

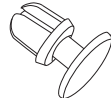
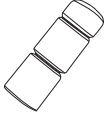
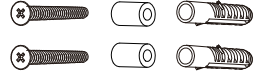
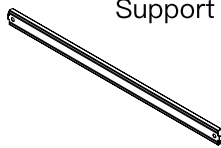



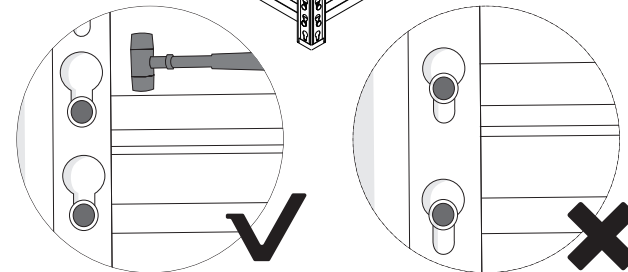
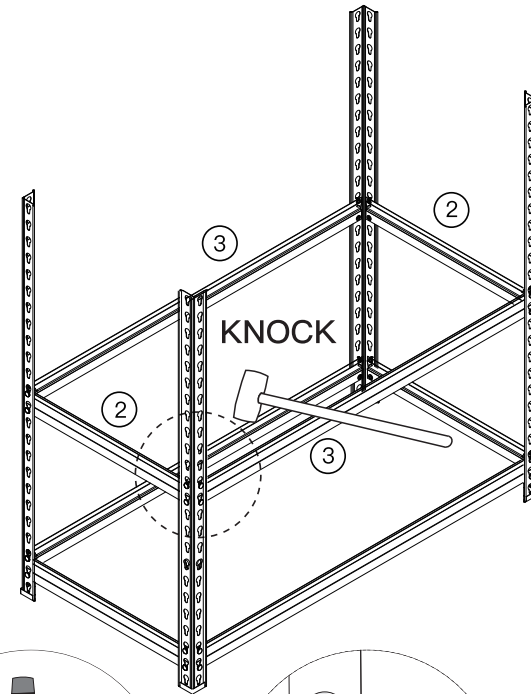
Part List



ATTENTION

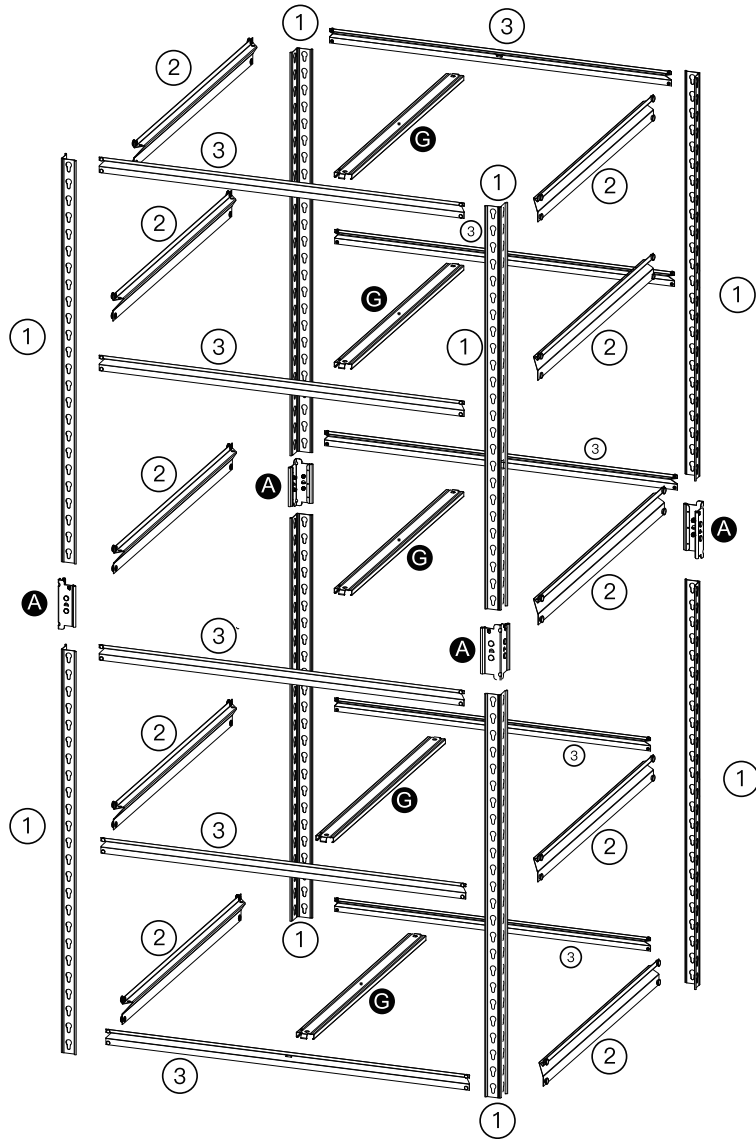
For the overall stability of shelves, every cross bar ((2)&(3)) must be knocked fully tight into the end while installing.

<p>① Vertical Bar</p>  <p>x8</p>	<p>② Short Cross Bar</p>  <p>x10</p>
<p>③ Long Cross Bar</p>  <p>x10</p>	<p>A Connector</p>  <p>x4</p>
<p>B Rubber Foot Pad</p>  <p>x16</p>	<p>C Board</p>  <p>x5</p>
<p>D Plastic Fastener</p>  <p>x16</p>	
<p>E Link</p>  <p>x2</p>	<p>F Anti-tip Kit</p>  <p>x1</p>
<p>G Support Bar</p>  <p>x5</p>	<p>Rubber Hammer Gloves</p>  <p>x1</p>



NOTICE:
Knock on cross bar with rubber hammer until the rivets covered the small holes completely.

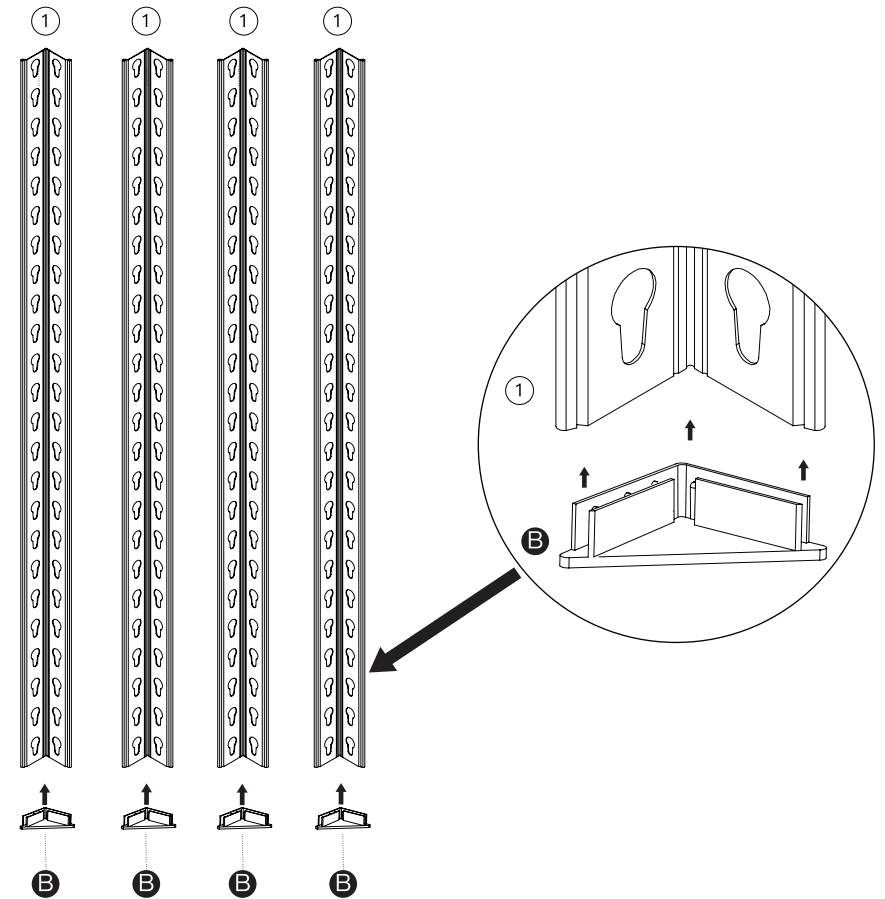
EXPLODE DIAGRAM



HOW TO INSTALL

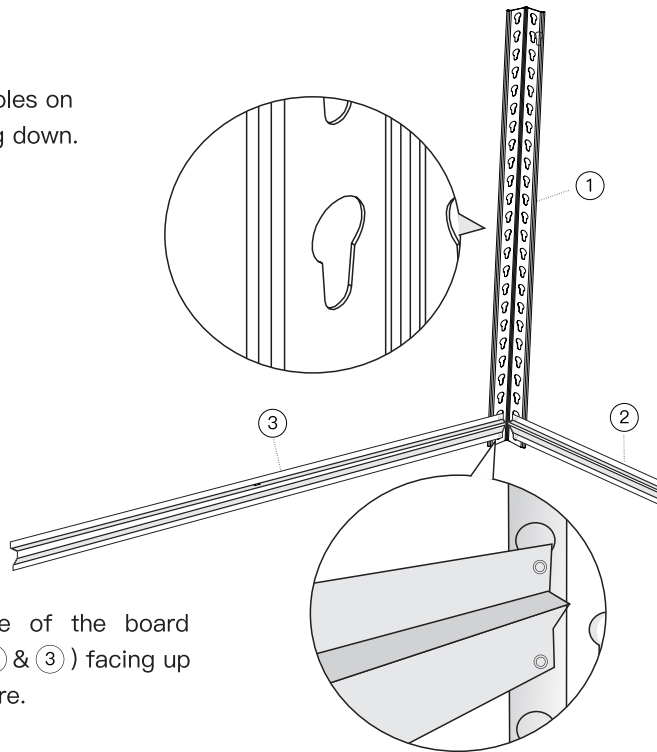
Note: Please wear gloves before installation.

Step 1 Install 4 rubber foot pads (B) on 4 vertical bars (1).



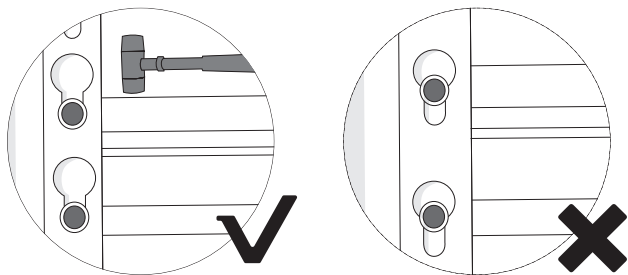
Step 2 Install short cross bar (②) and long cross bar (③) on vertical bars (①), tighten them with hammer.

A: Make sure small holes on the vertical bar facing down.



B: Put the flat side of the board support cross bar (② & ③) facing up as shown in the picture.

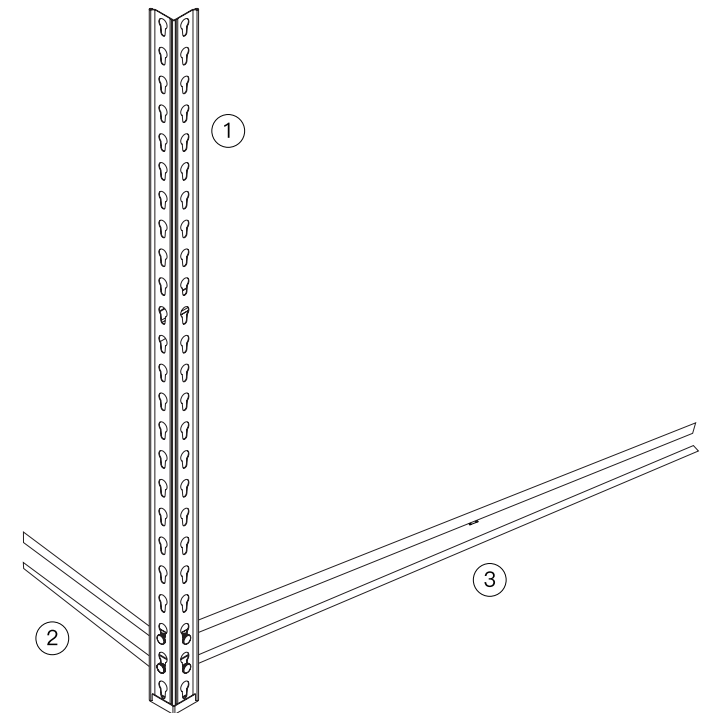
C: Knock on cross bar (② & ③) with rubber hammer until the bar covered the small holes completely.



NOTICE:

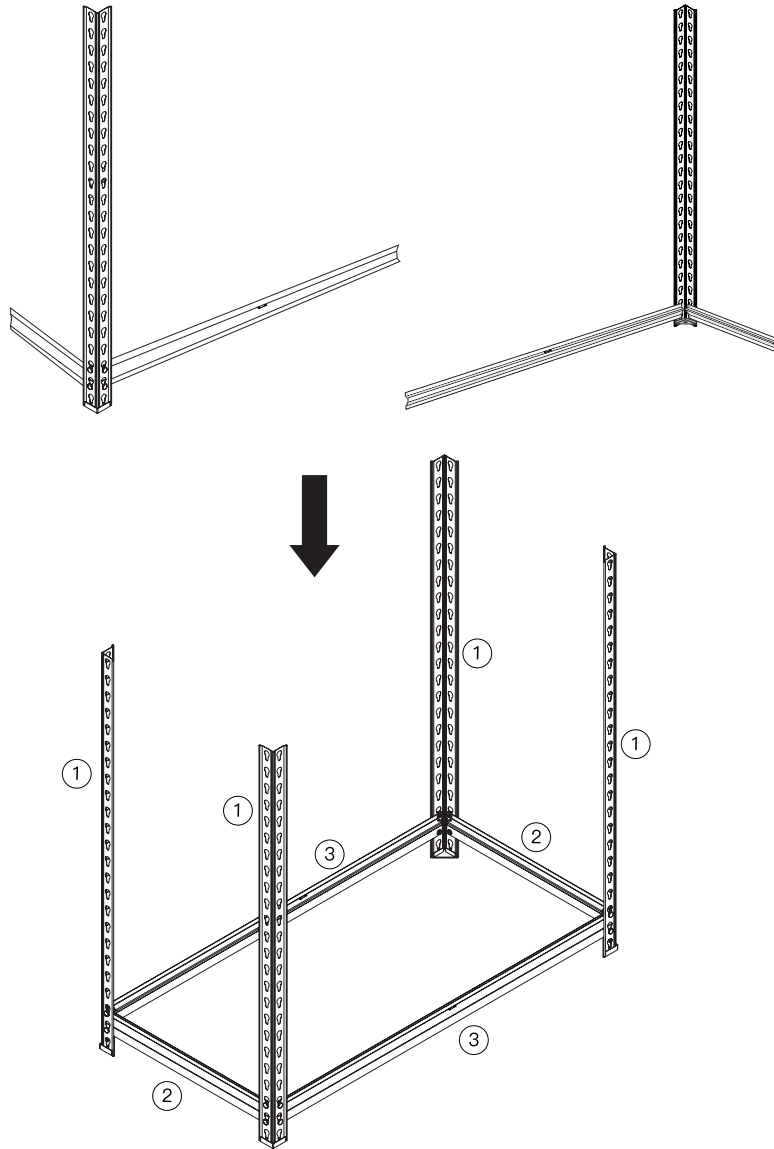
Knock on cross bar with rubber hammer until the rivets covered the small holes completely.

Step 3 Connect another vertical bar (①) with the part previously assembled by the cross bar (③).



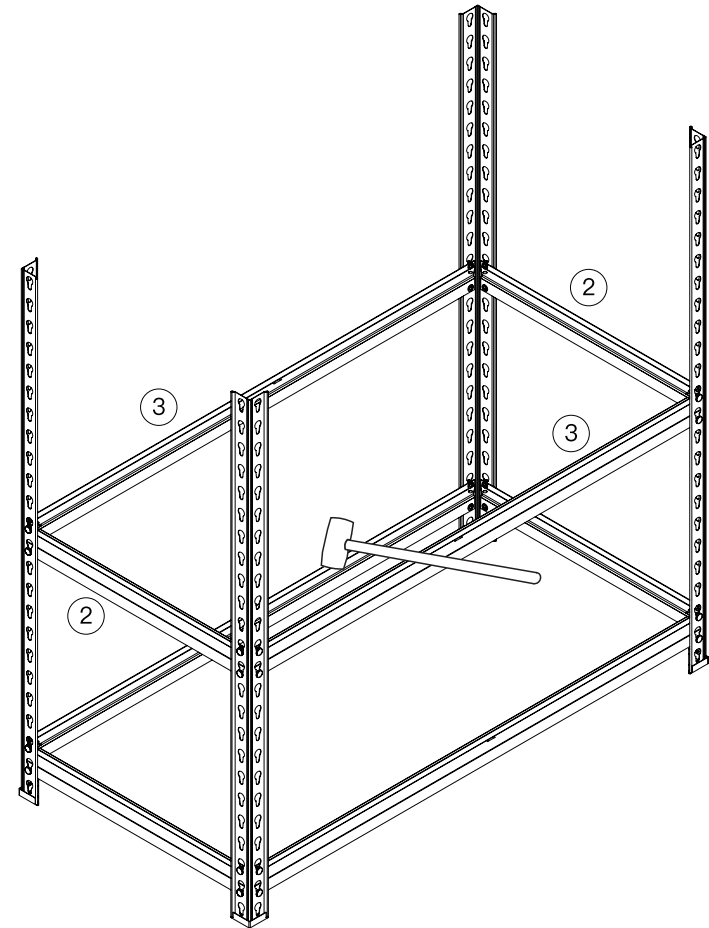
Step 4

Assemble the parts assembled with another 2 vertical bars through the cross bar.

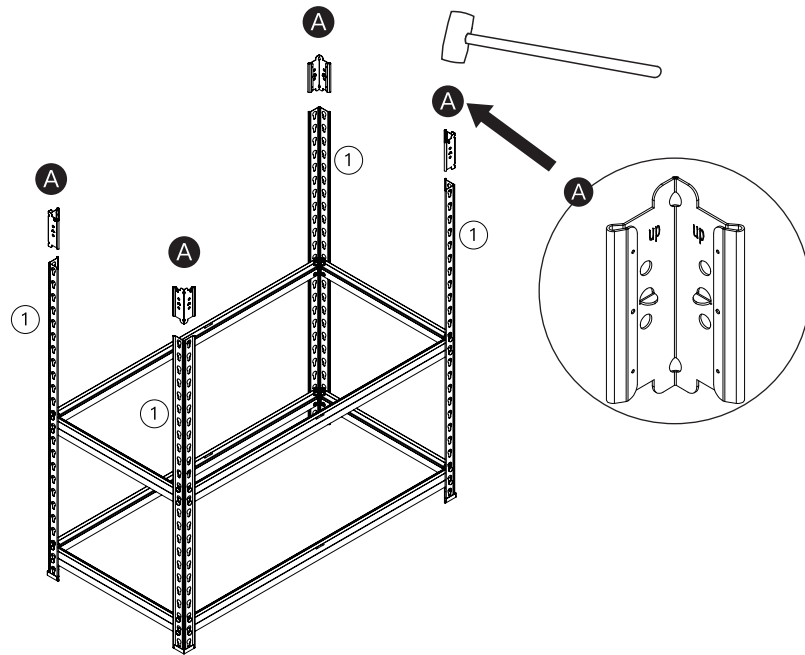


Step 5

Install 2 short cross bars (2) and 2 long cross bars (3) on the finished part, as shown in the figure.



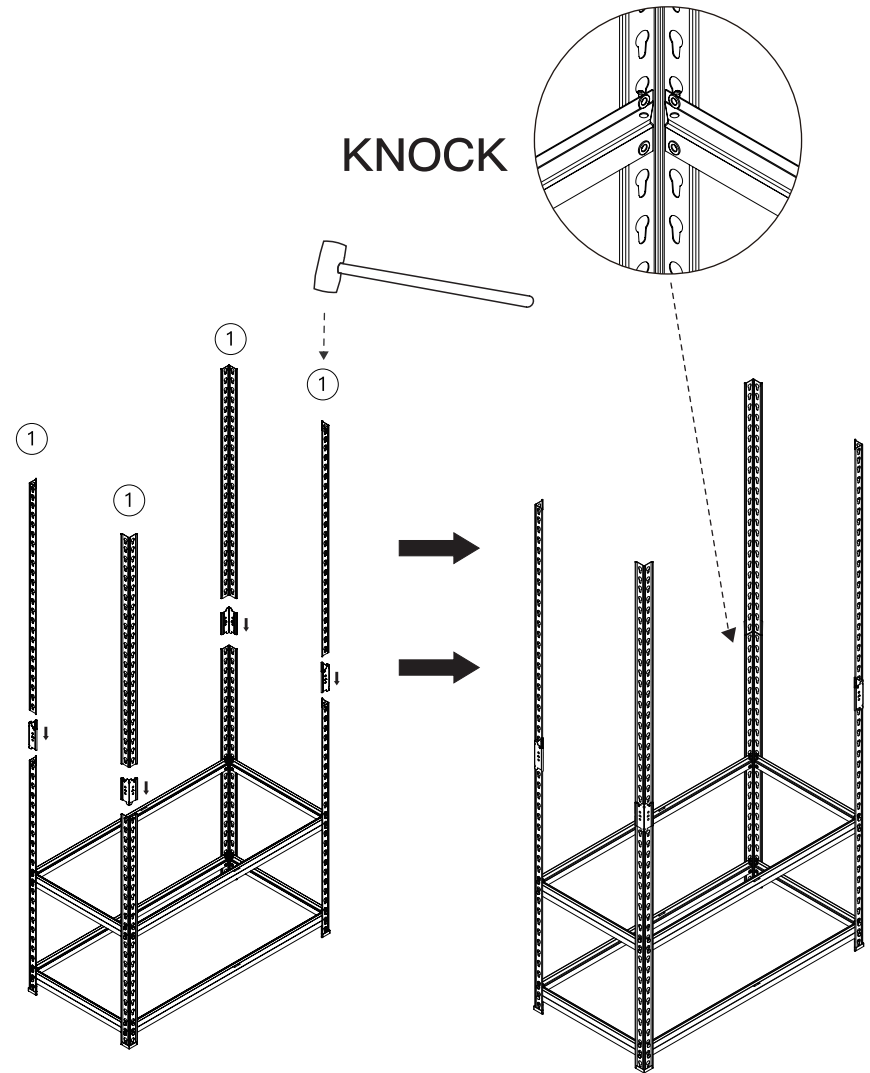
Step 6 Install 4 connectors (**A**), use hammer to knock them tight.



NOTICE:

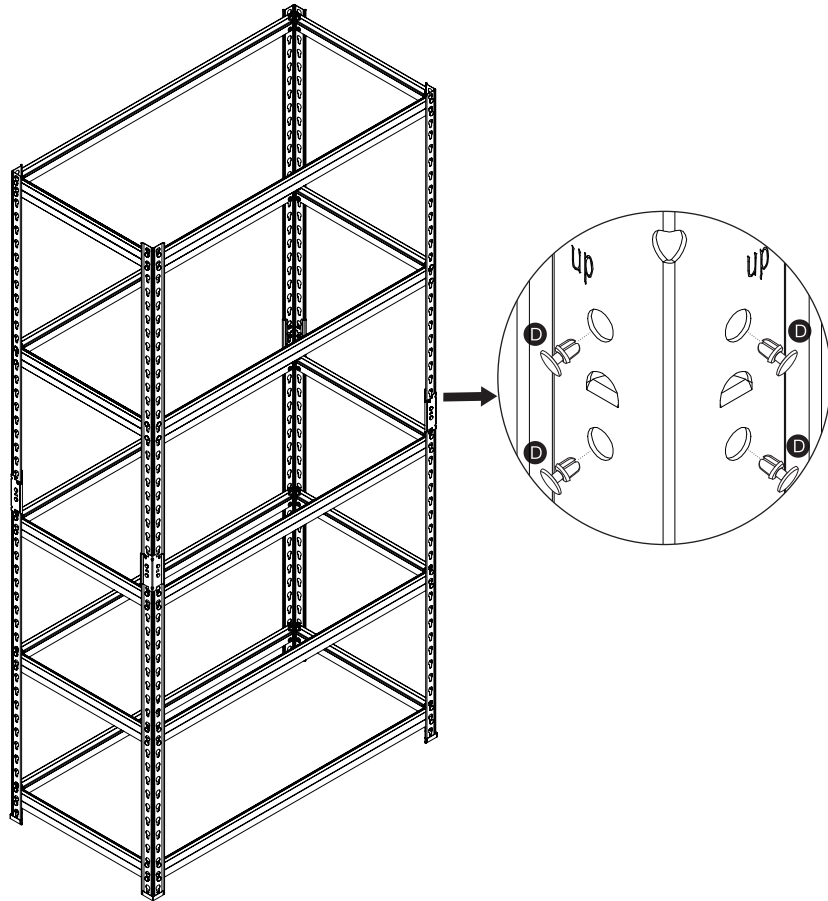
Make sure the connectors' baffle (part **A**) engages the edge of the vertical bar (part **1**).

Step 7 Connect the remaining four vertical bars (**1**) to the finished frame by 4 connectors (**A**).



Step 8

Assemble the remaining cross bars as previous steps shown in the figure.

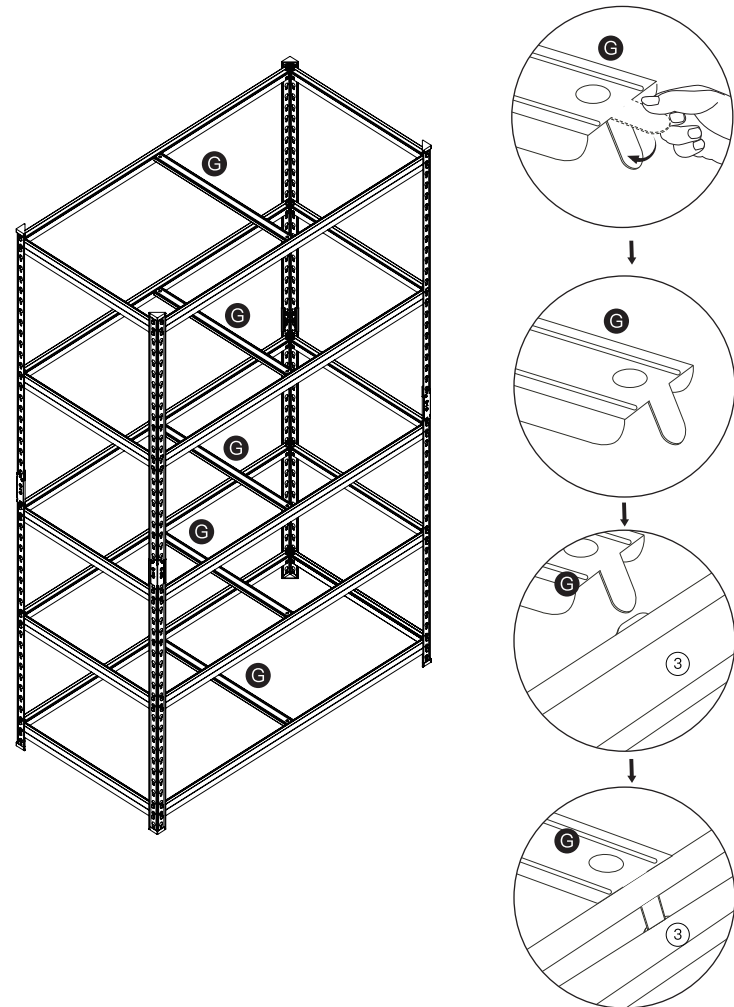


Step 9

Put all support bars (G) on the long cross bars of every tier as shown above.

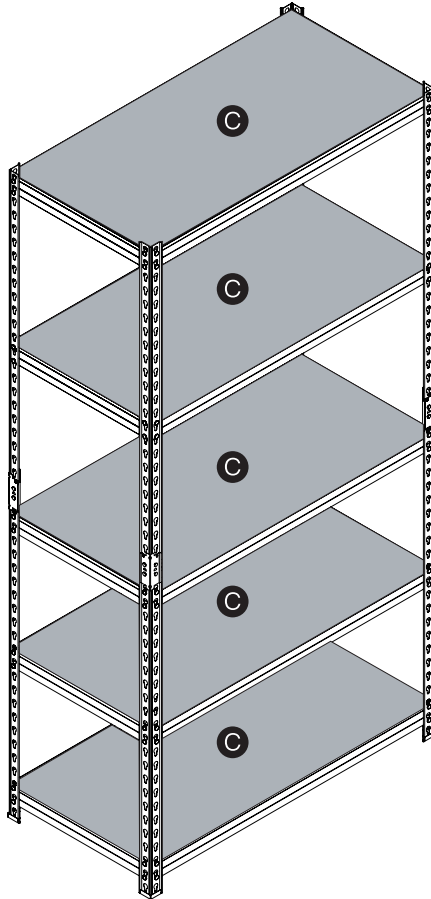
NOTICE:

Please bend the protruding part of support bar (G) at a right angle for installation.



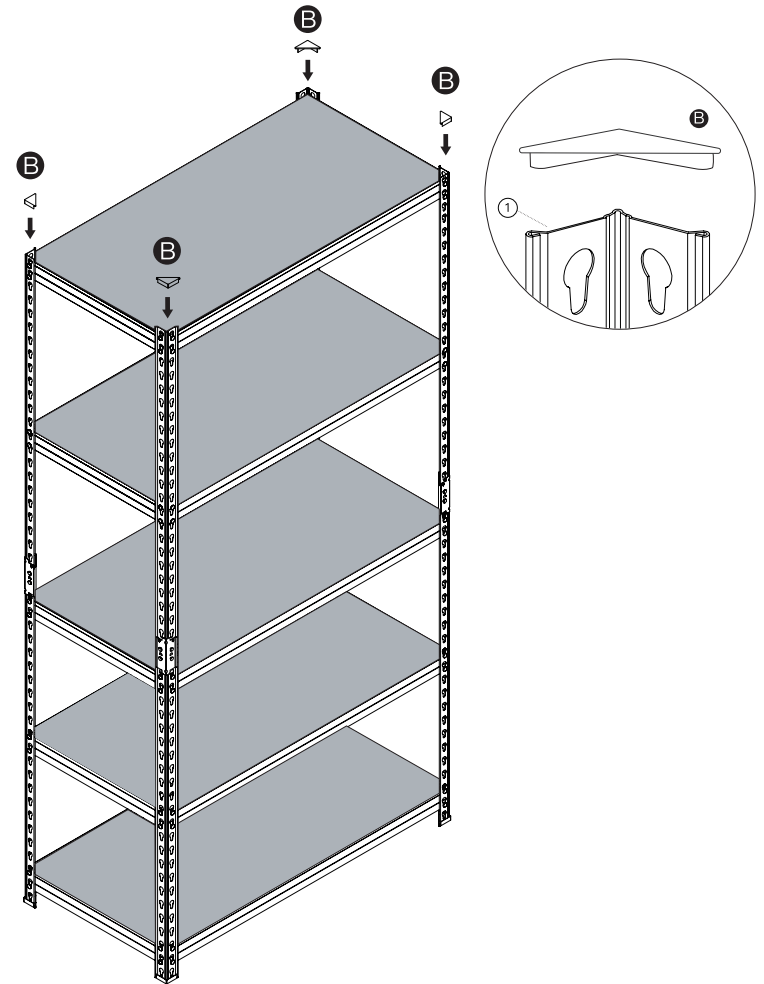
Step 10

Place all the boards (**C**) on the shelves as shown in the figure.



Step 11

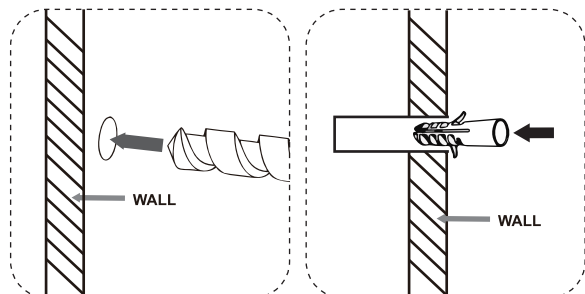
Insert rubber foot pad (**B**) into the rest 4 vertical bars (**1**) as below.



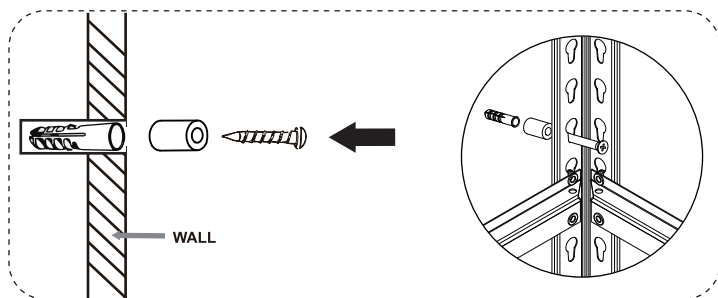
Step 12 (Optional) Install the anti-tip kit (part **F**) to keep the rack maximum stable.

! NOTICE

For maximum safety, the strips of anti-tip kit should cross the upper vertical bars.



- (1) Drill holes at marked location. (2) Press the protective bolts in the wall.



- (3) Fix the safety lock on the wall with bolts.

Step 13 (Optional) Install the link (**E**) on two adjacent vertical bars (**1**) of two individual shelves, push it to the end.

NOTICE:

If you purchased multiple shelves or divided one shelf into two individual shelves, the link is able to provide more stability.

