

ASSEMBLY INSTRUCTION



AX1



BX1



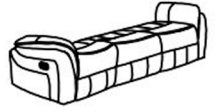
CX1



DX1

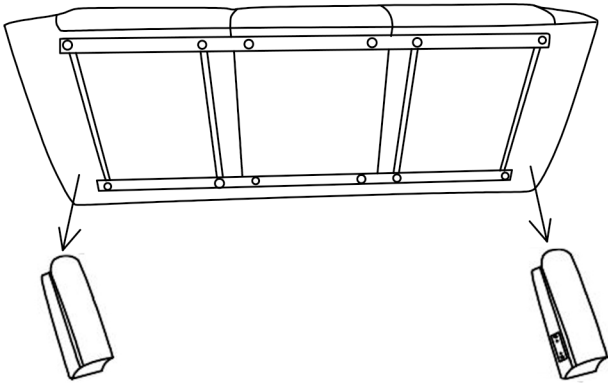


EX1

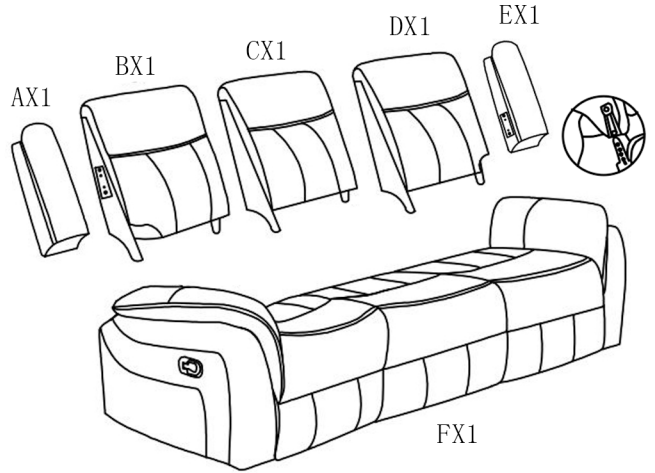


FX1

STEP1



STEP2



STEP2

