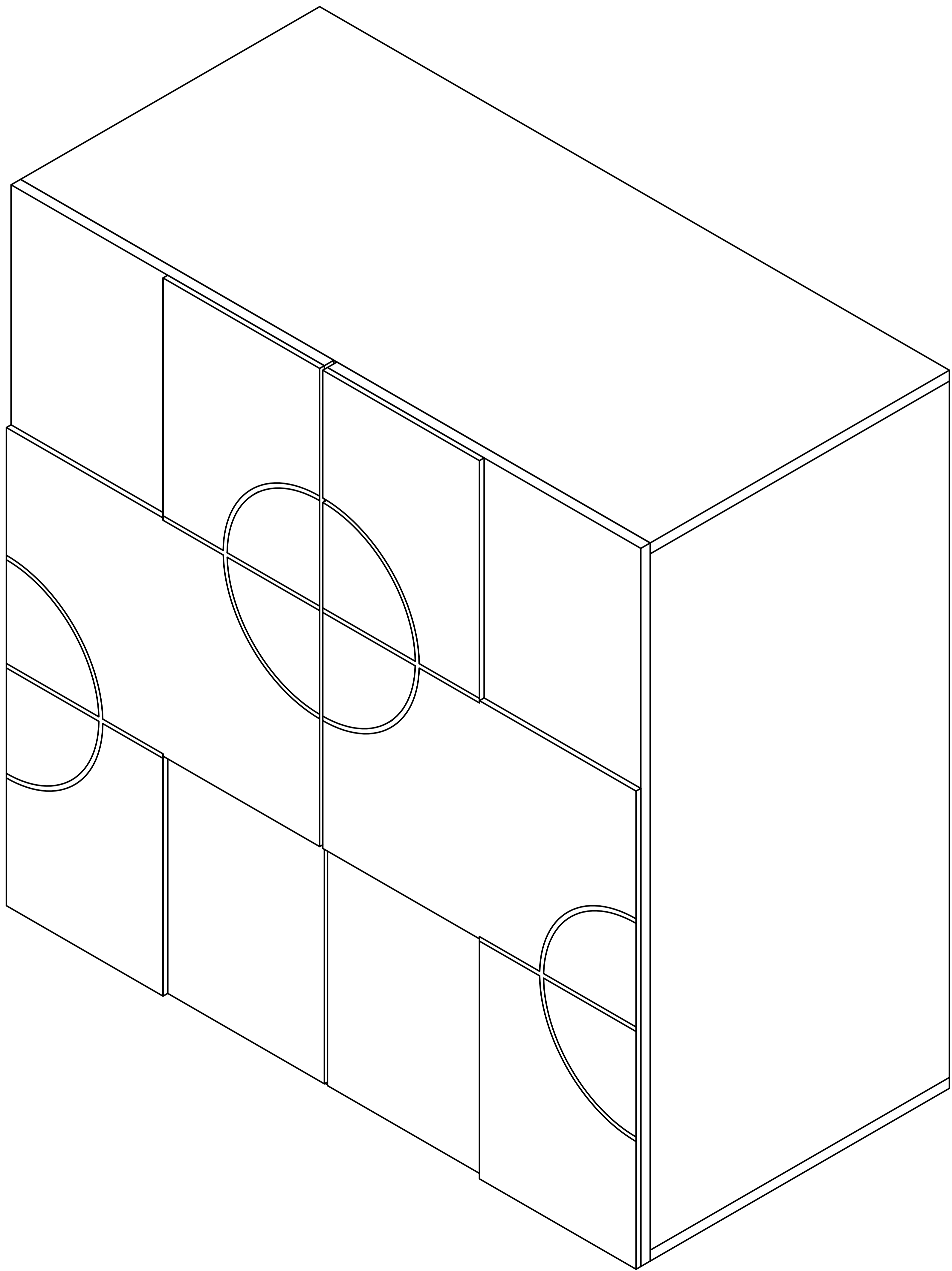
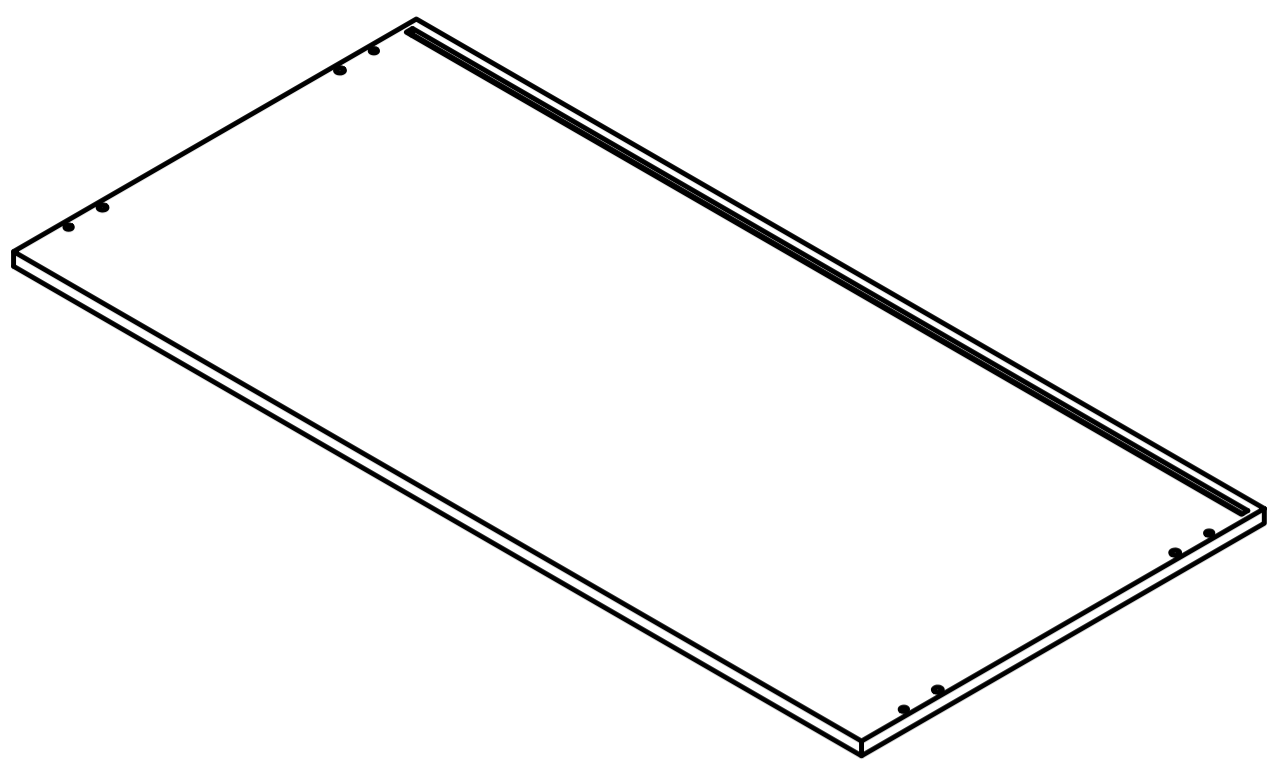
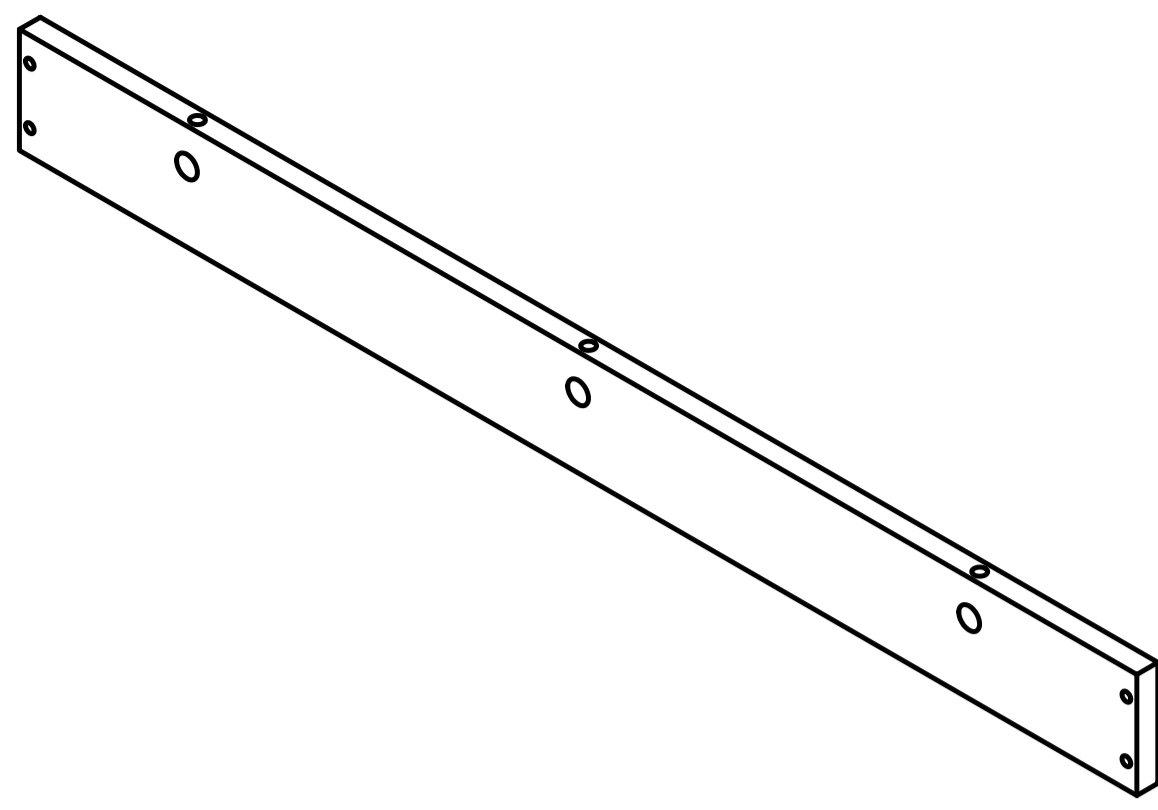


Product Installation Instructions

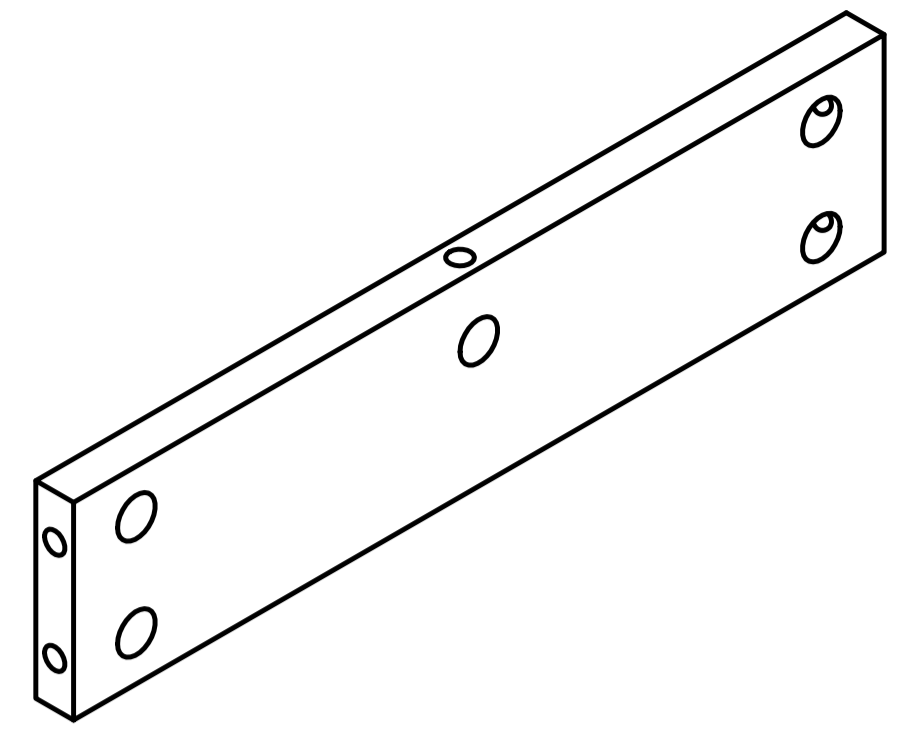




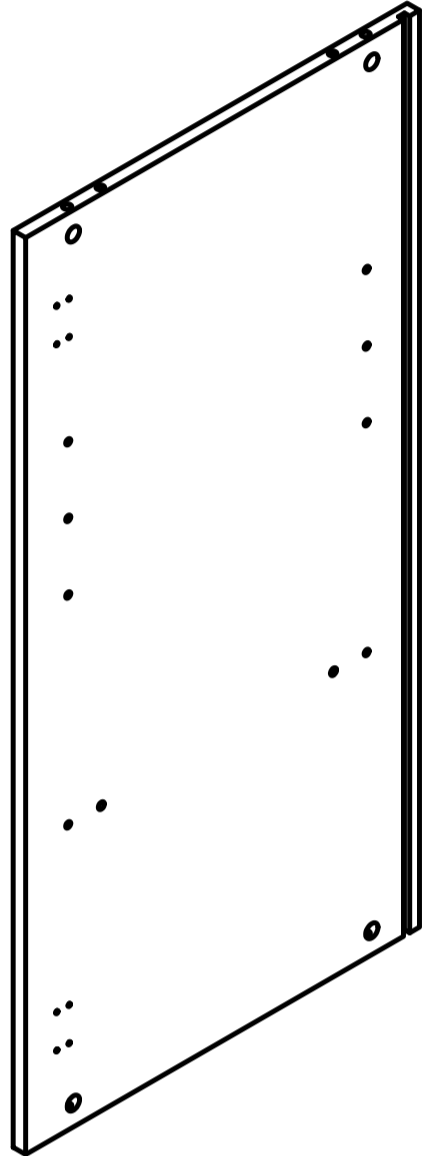
Ax1



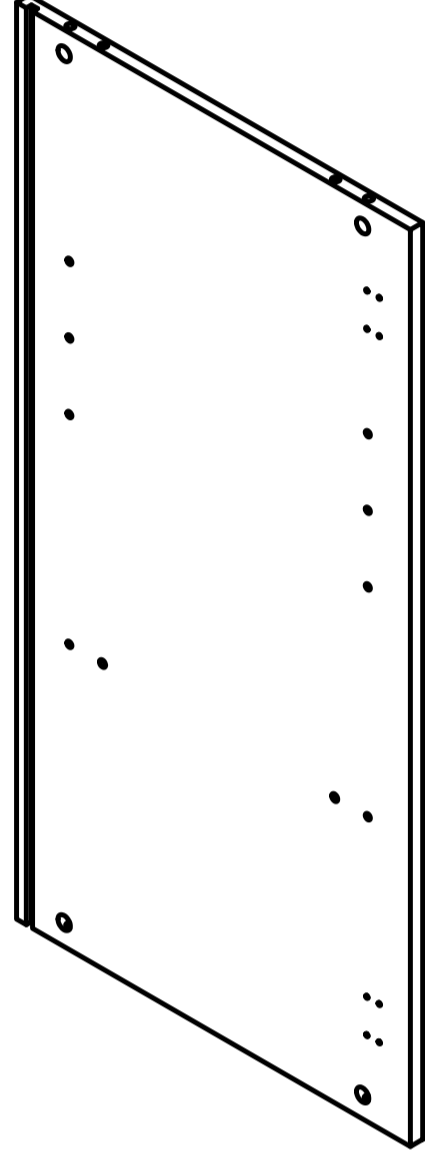
Bx2



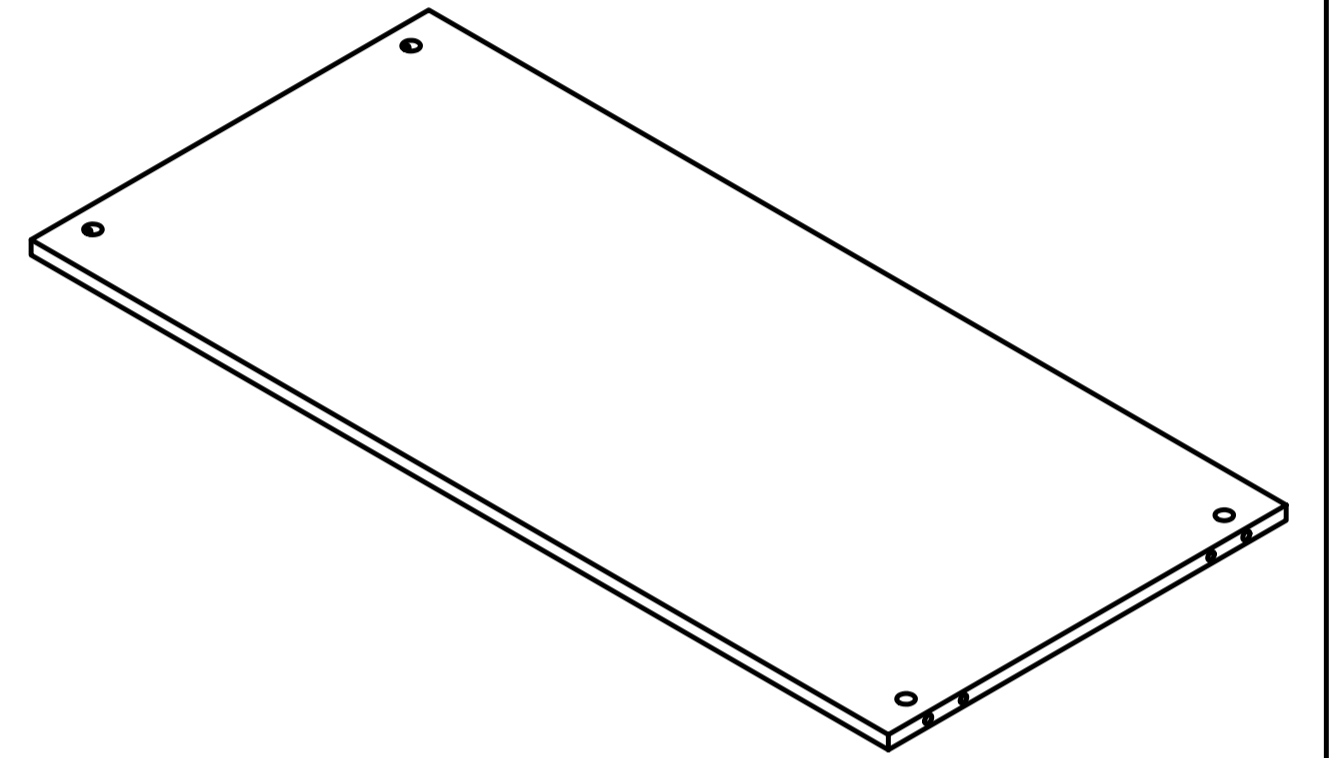
Cx2



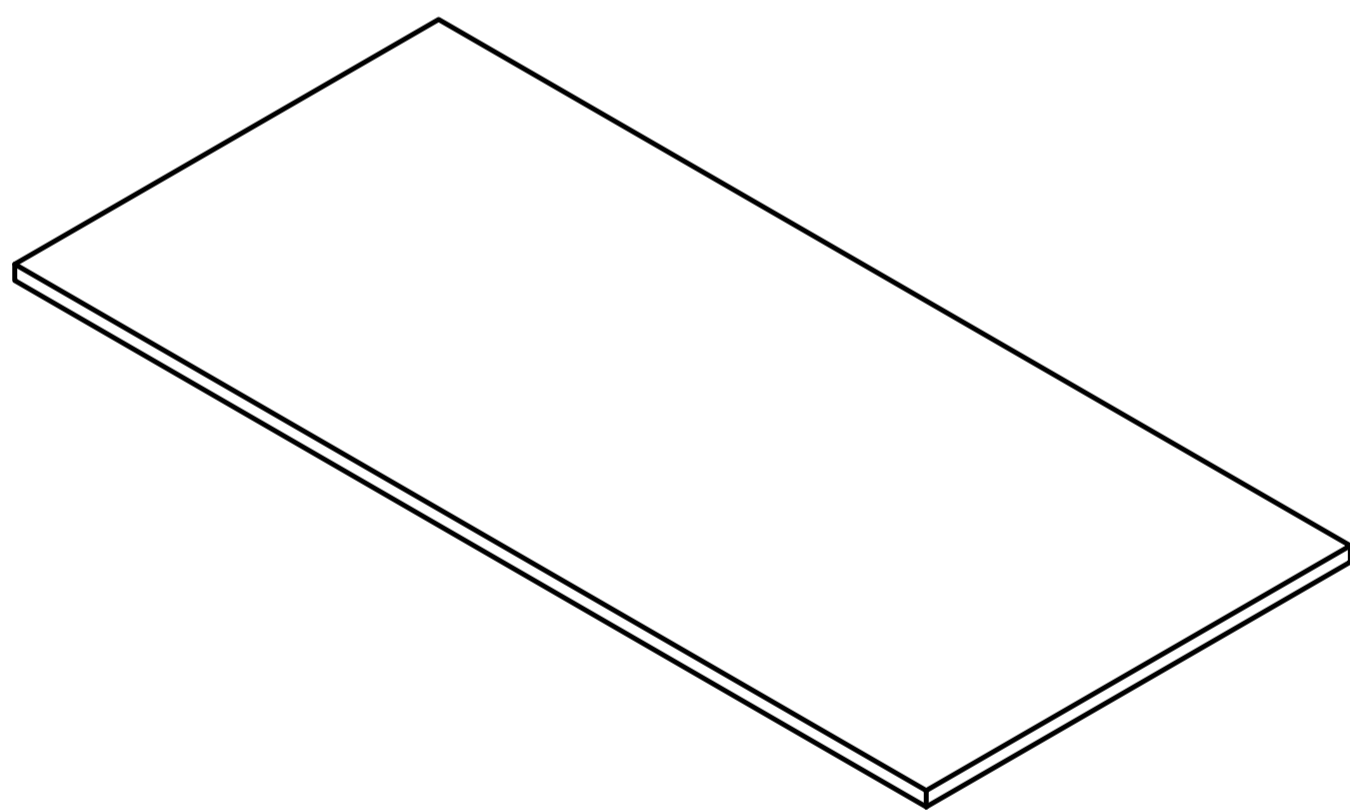
Dx1



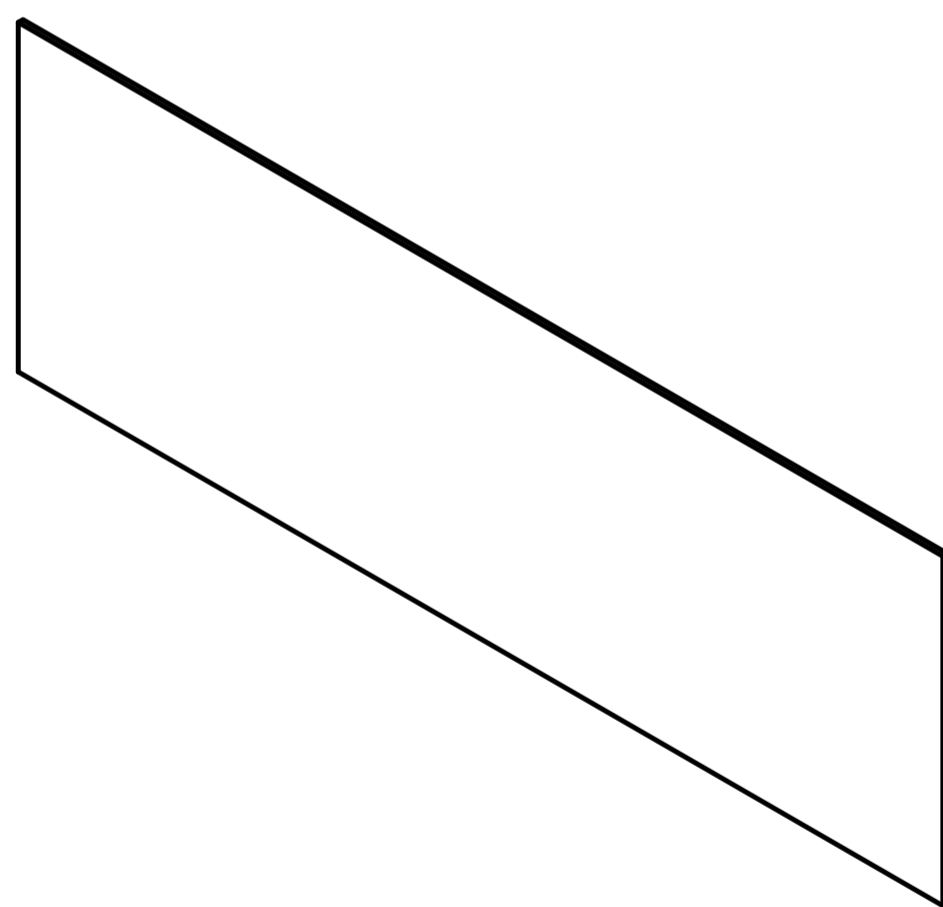
Ex1



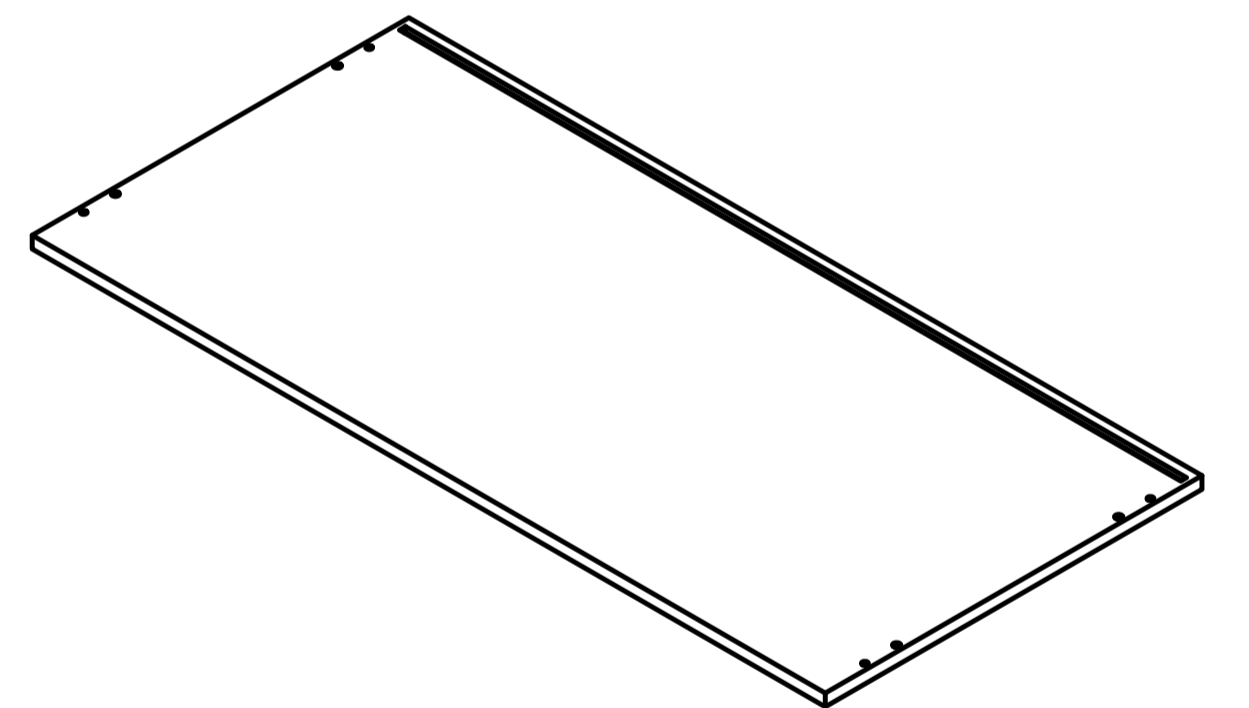
Fx1



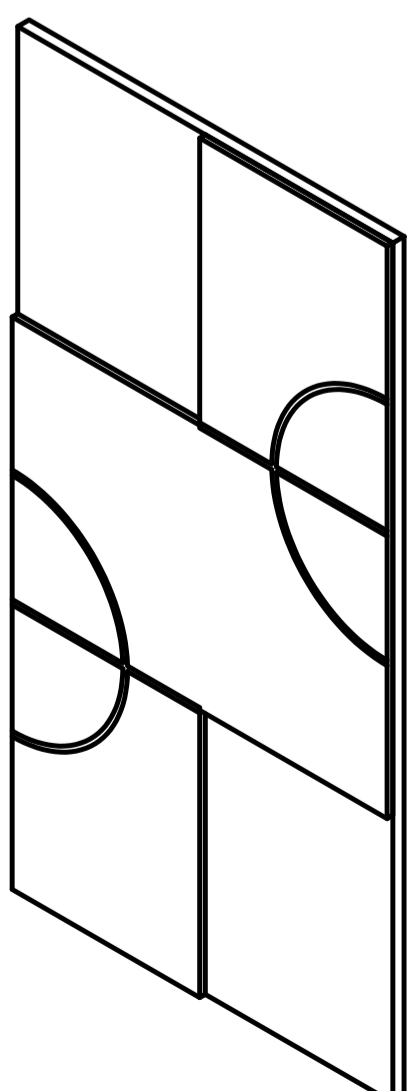
Gx1



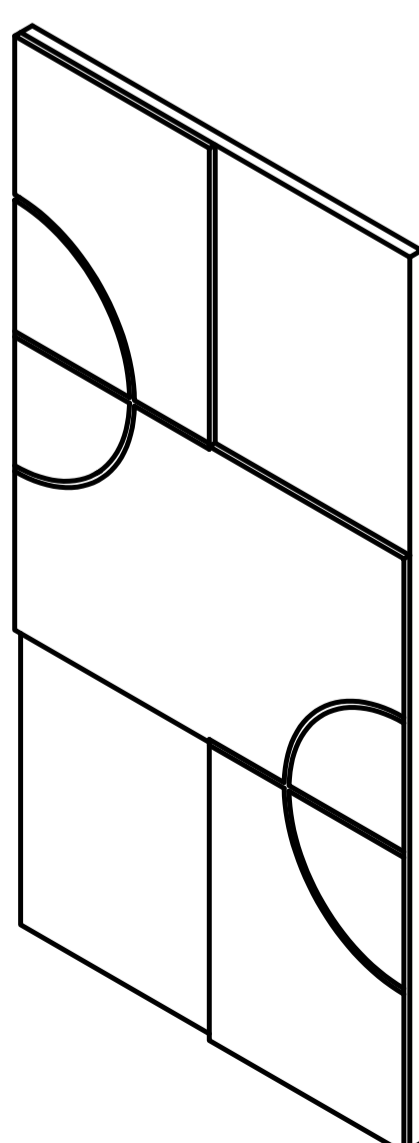
Hx3



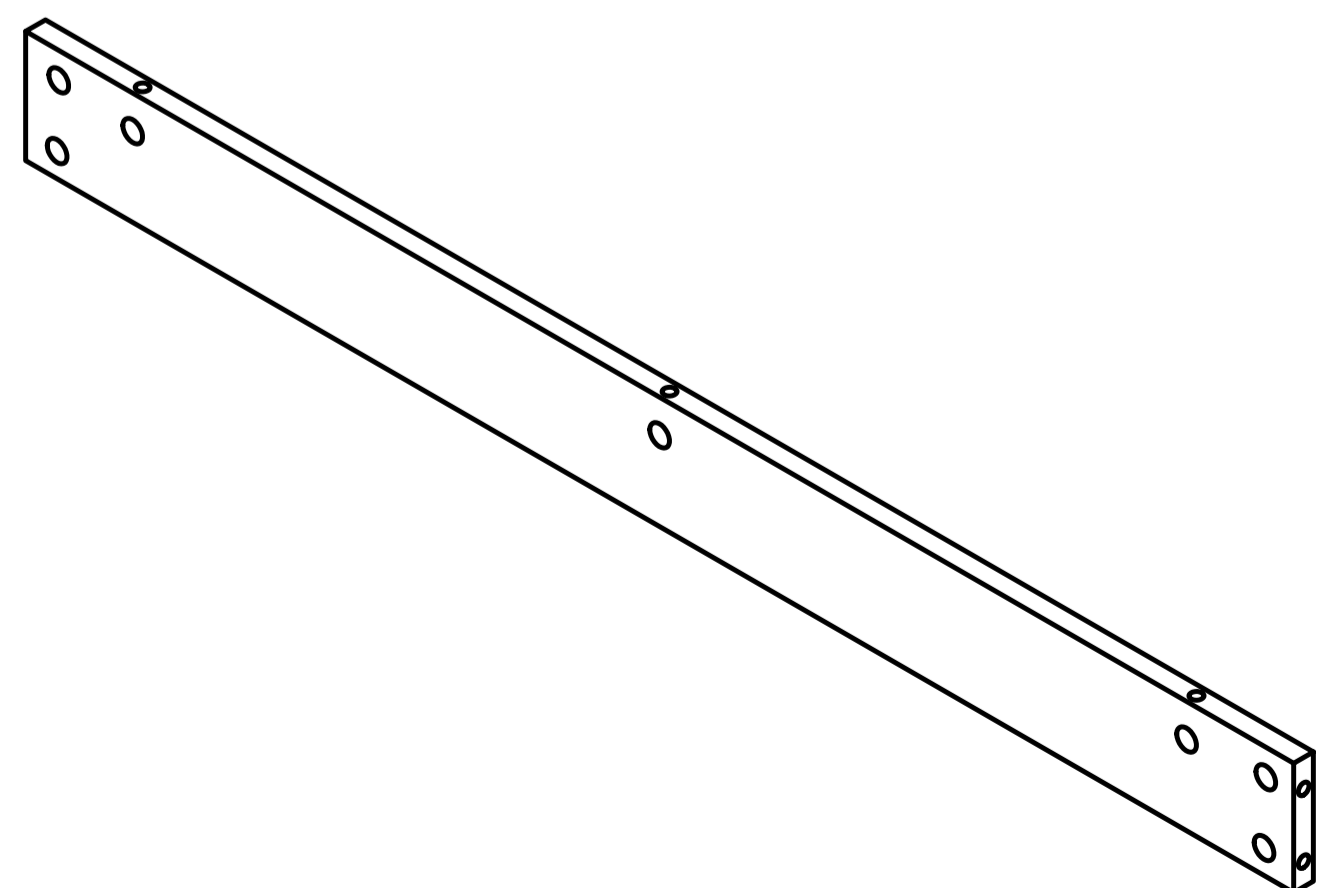
Ix1



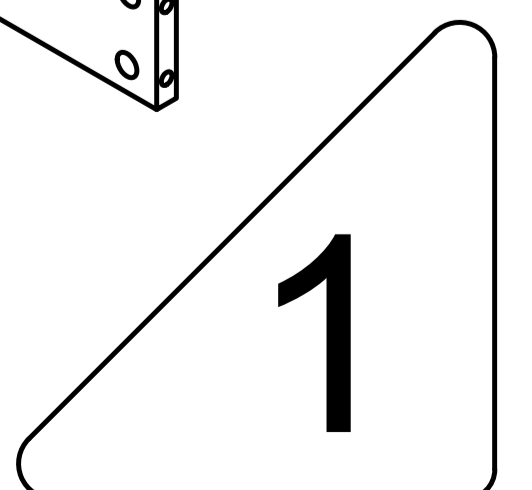
Jx1



Kx1

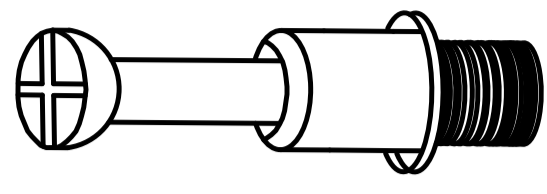
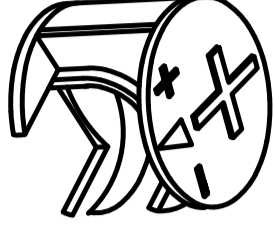


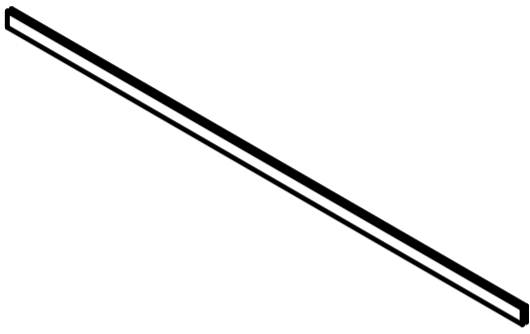
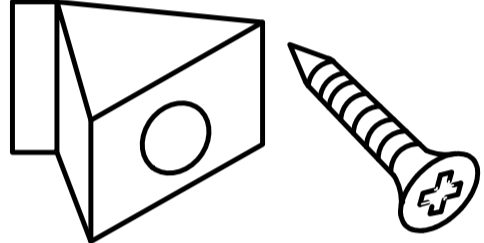
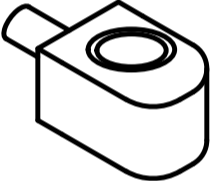
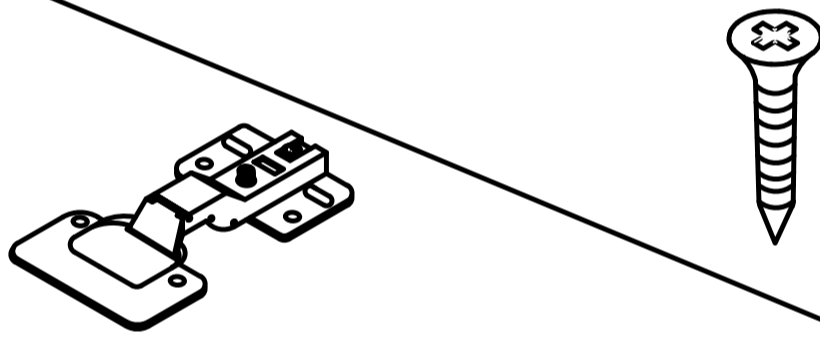


Lx2

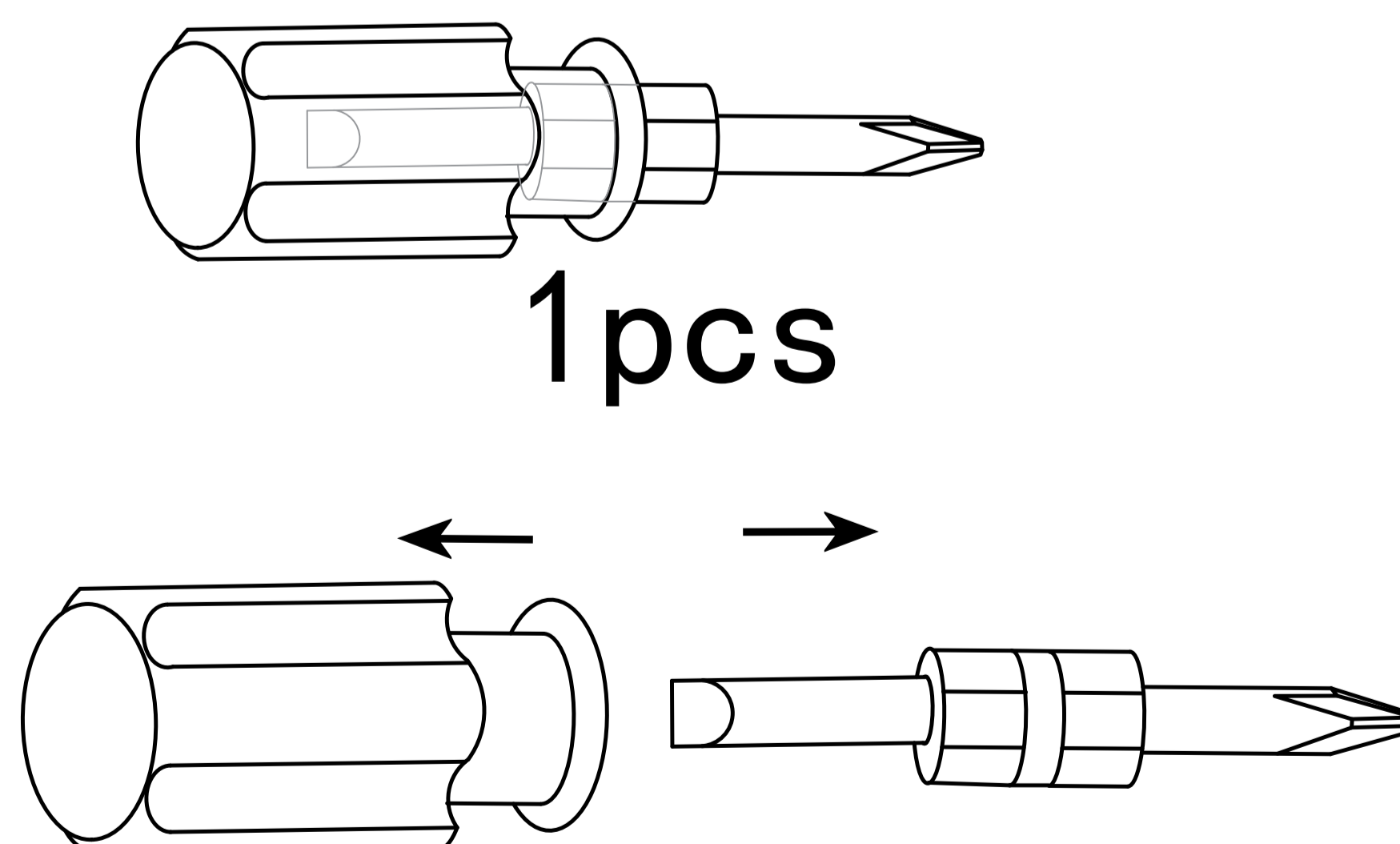


1

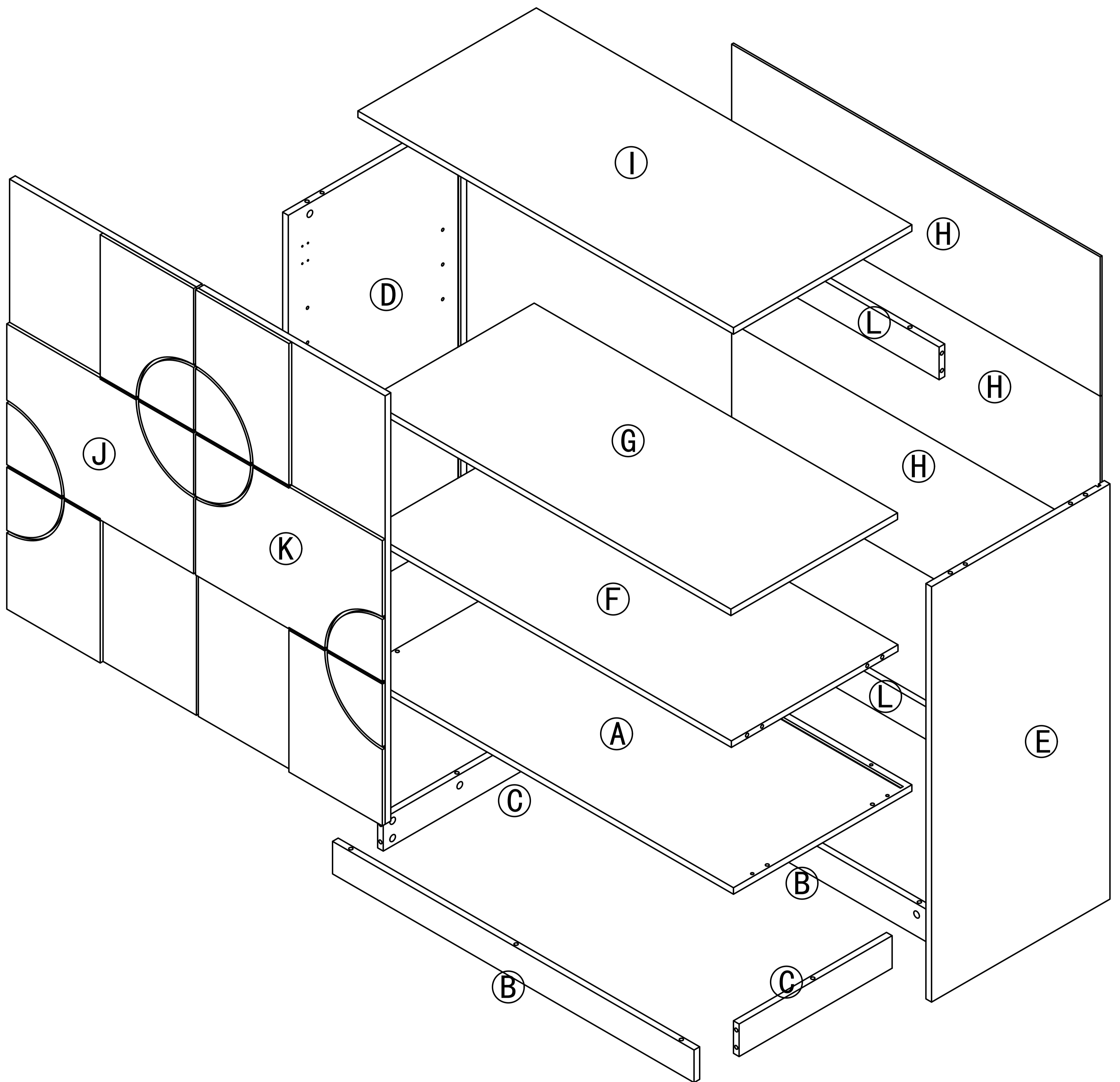
Accessories list

①		Two in one screw (6x28mm)	42pcs +4pcs
②		Two in one nut (10x12mm)	42pcs +4pcs
③		Wood chipping (6x30mm)	12pcs +2pcs
④		Non-slip pads	6pcs
⑤		Backboard card strip (774mm)	2pcs
⑥		Fixing clip & screw (3x16mm)	6pcs +1pcs
⑦		Laminate Support Nail	4pcs +1pcs
⑧		Hinge & Screw (3.5x12mm)	24pcs +4pcs 4pcs

Double-head screwdriver, use as required

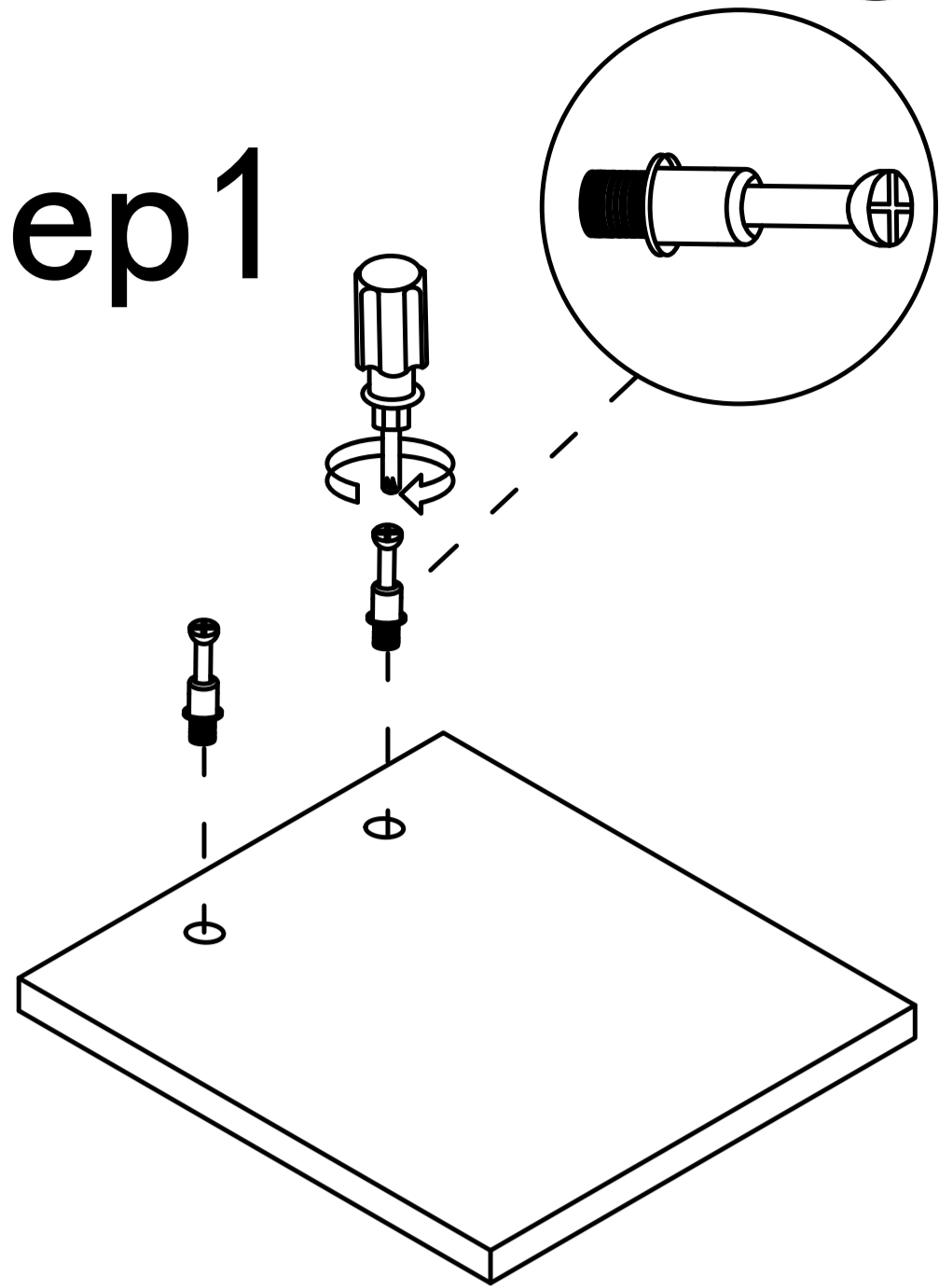


Product structure decomposition

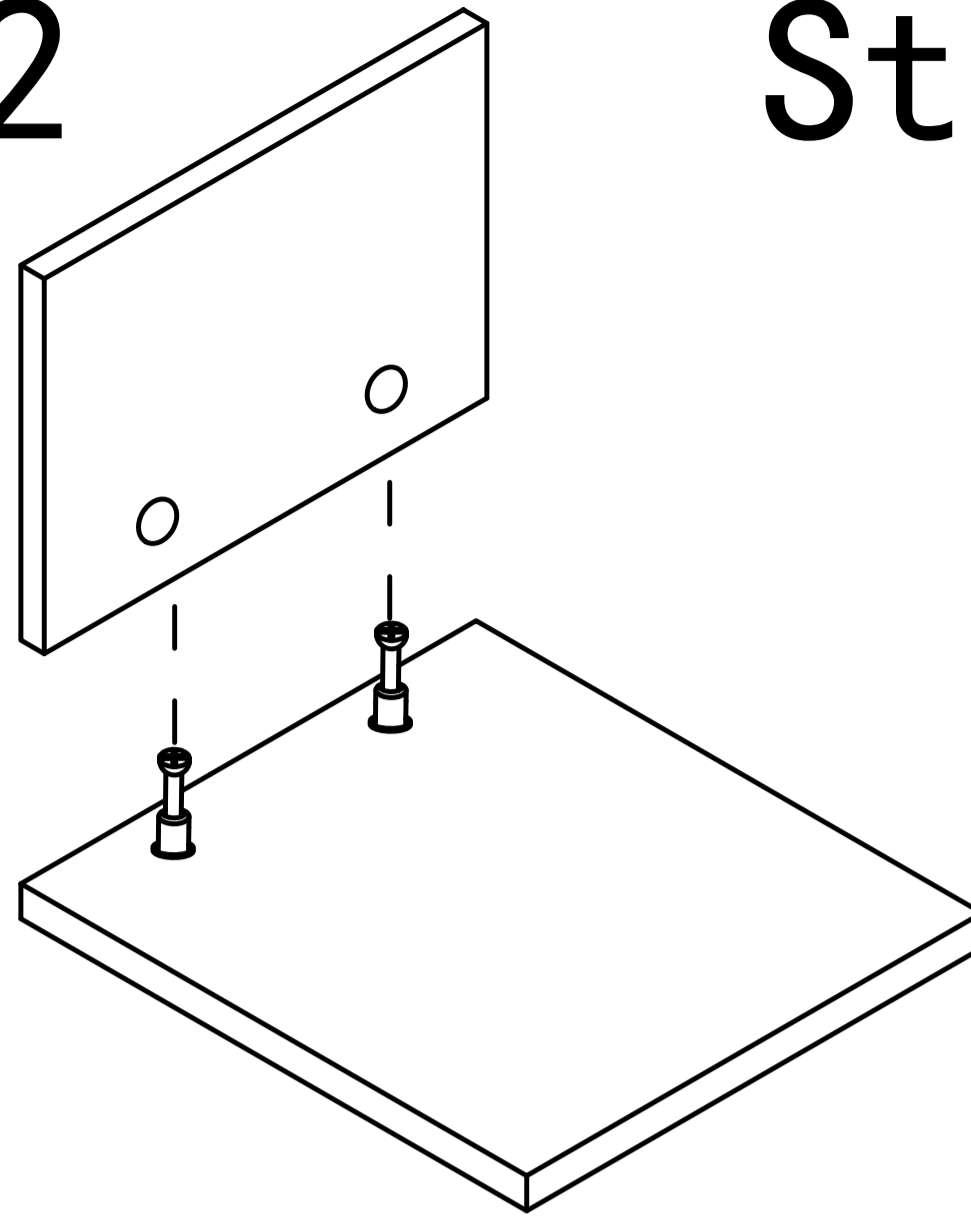


Use parts ① and ②

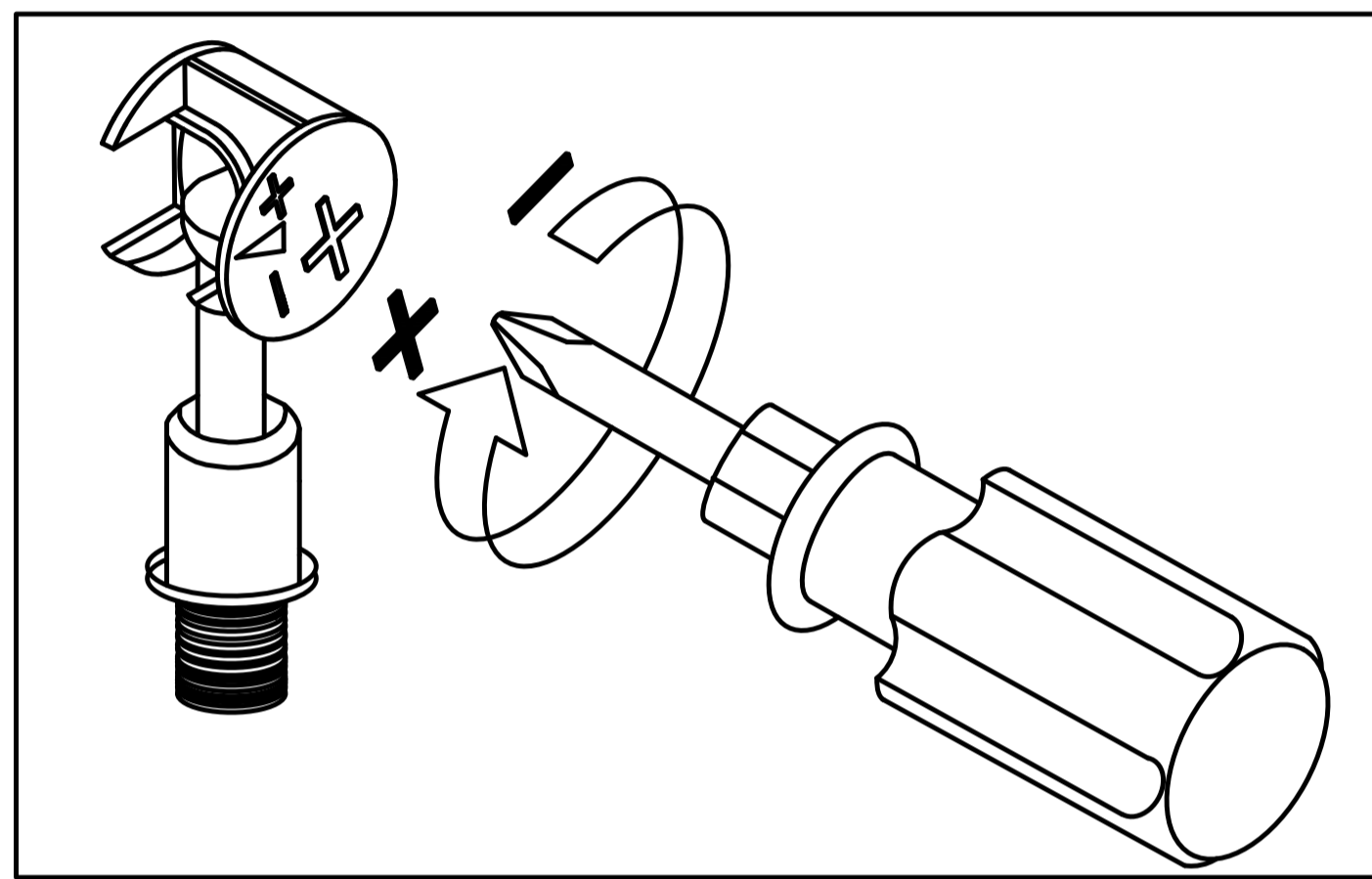
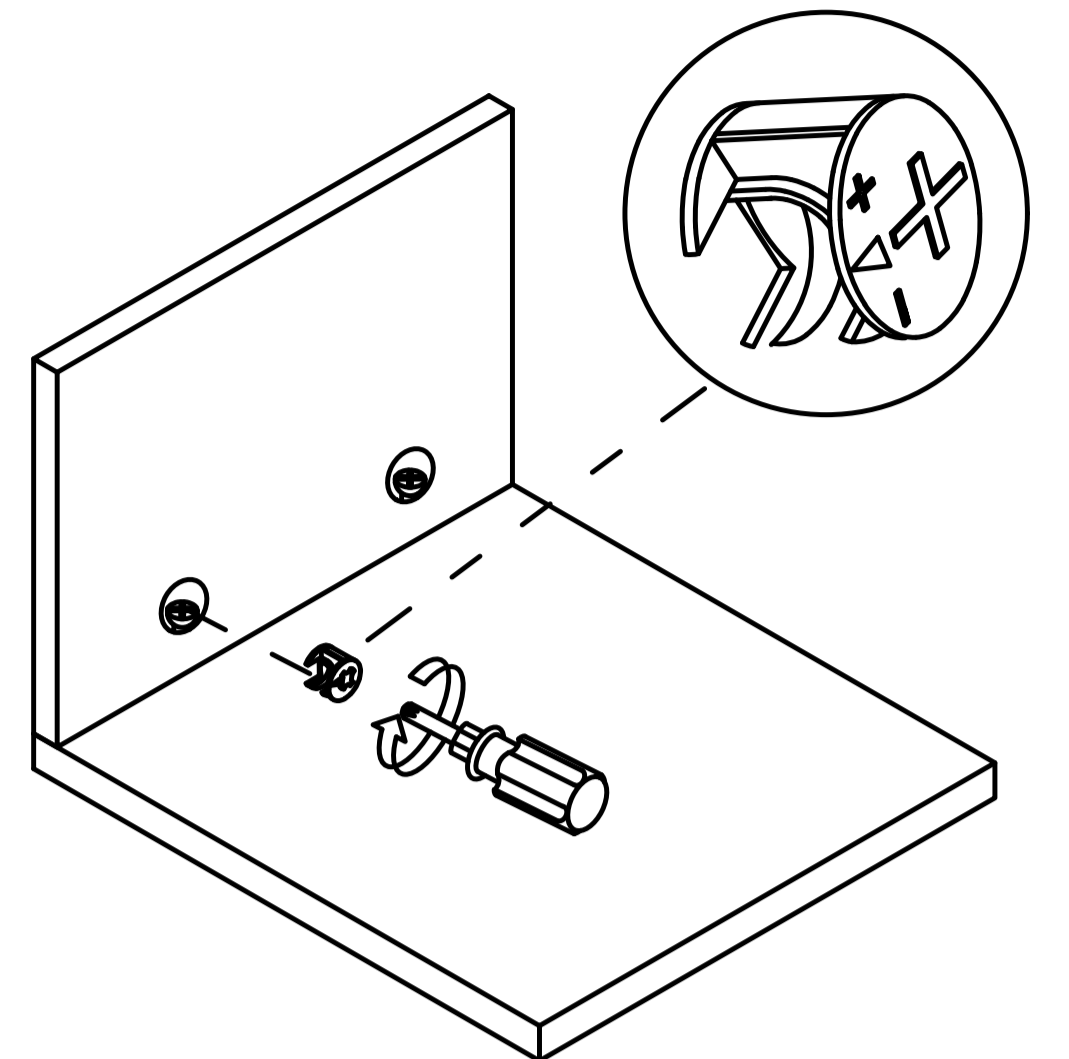
Step 1



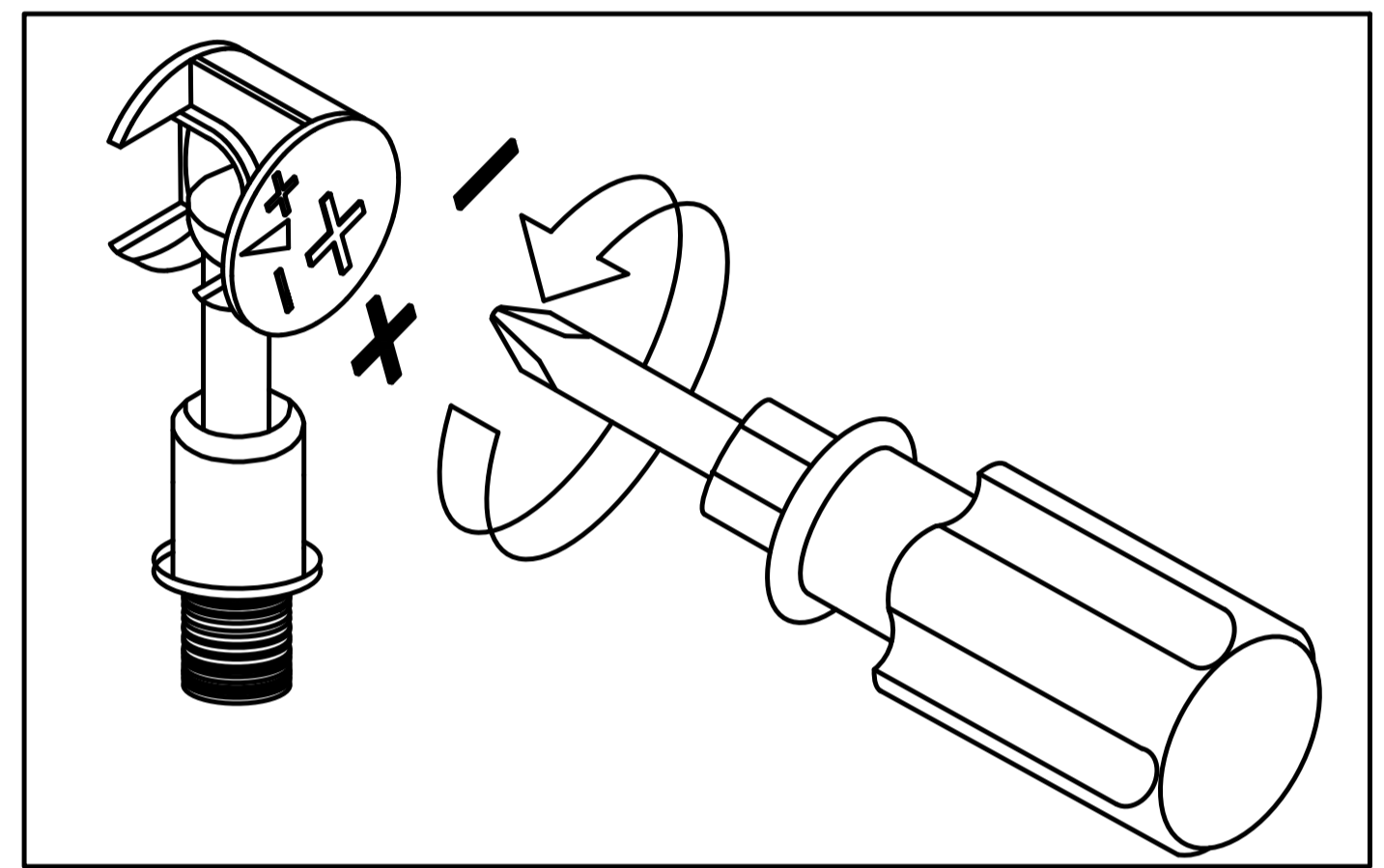
Step 2



Step 3

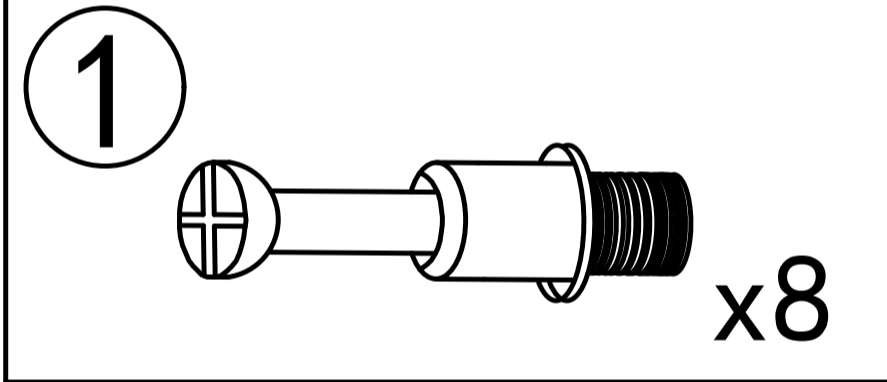
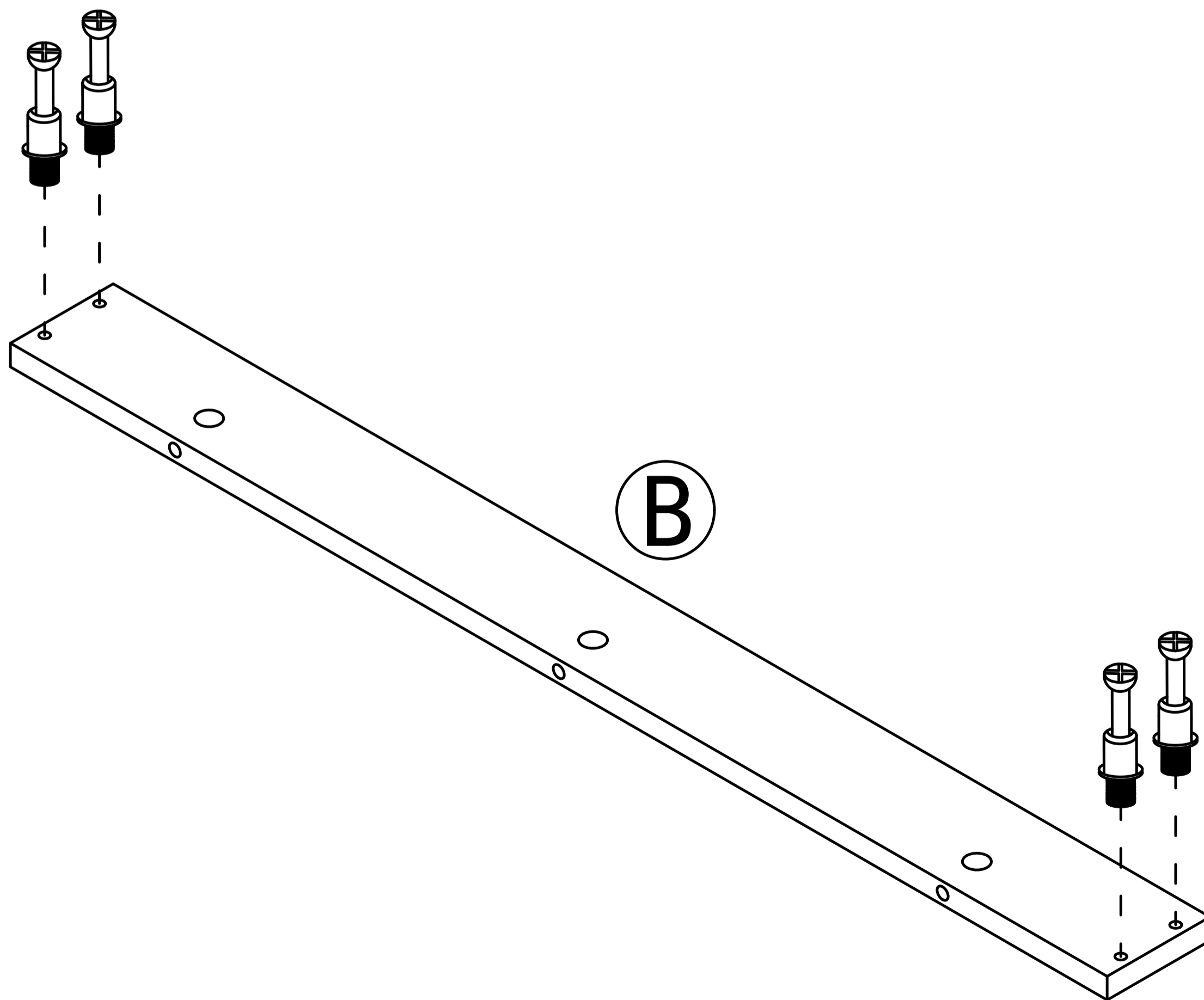


Use a screwdriver to lock in the direction of the "+" sign



Disassemble along the direction of "-" sign

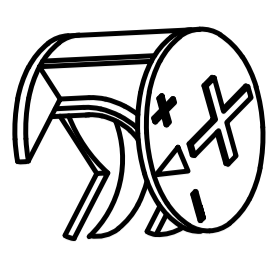
Step 1

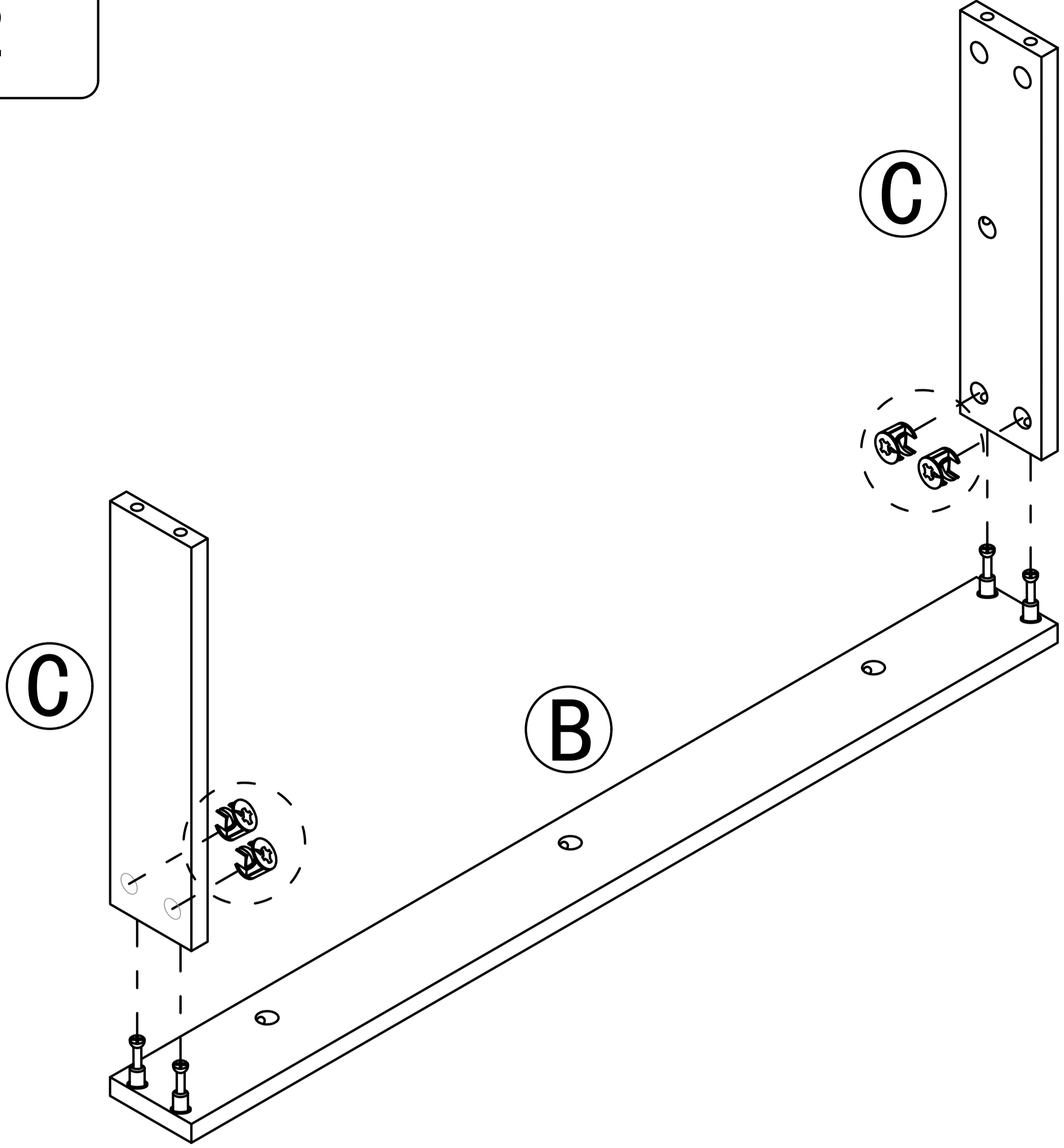


ⓑ x2

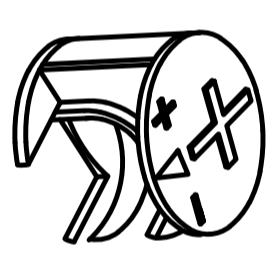
4

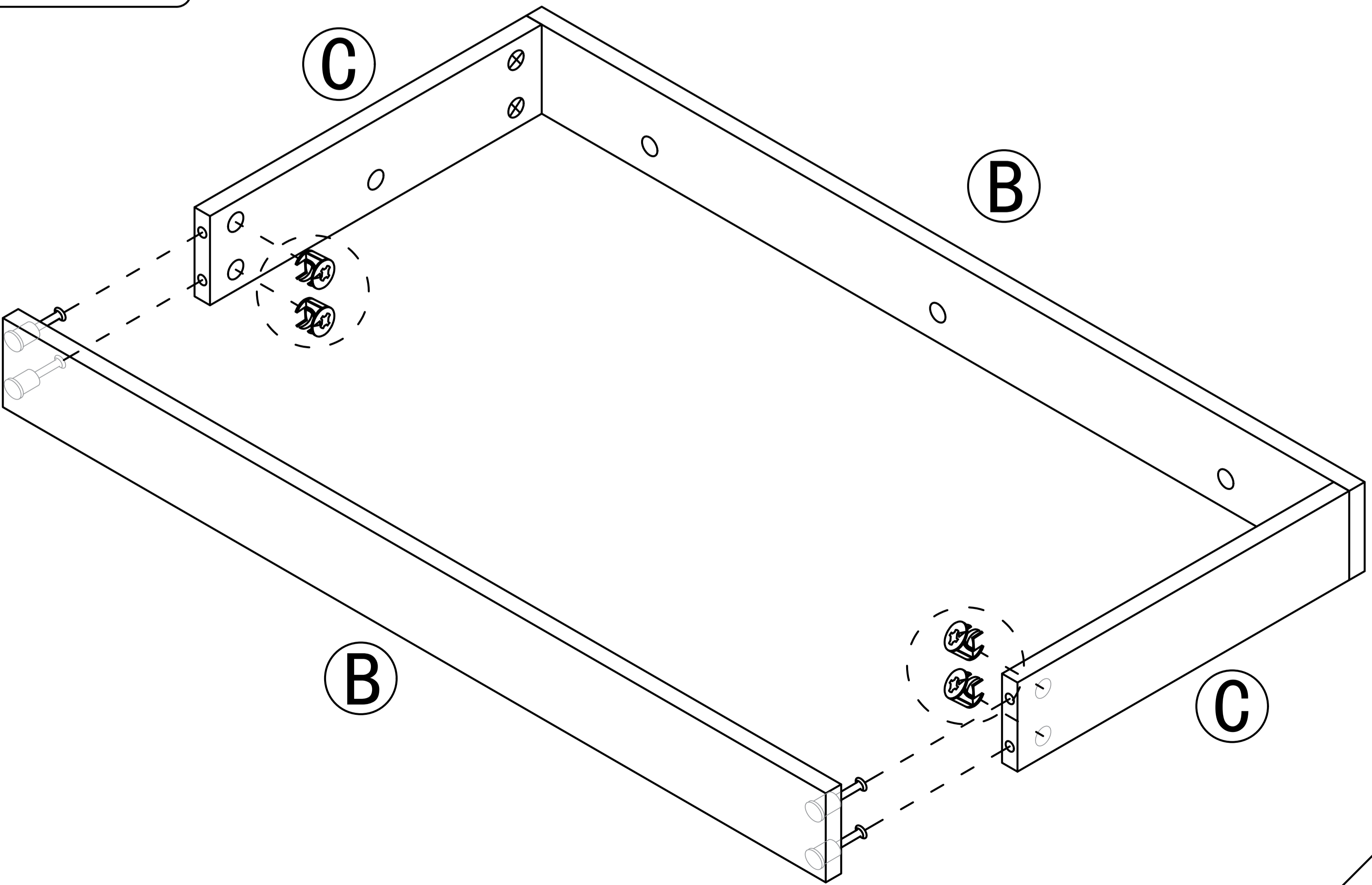
Step 2

2  x4



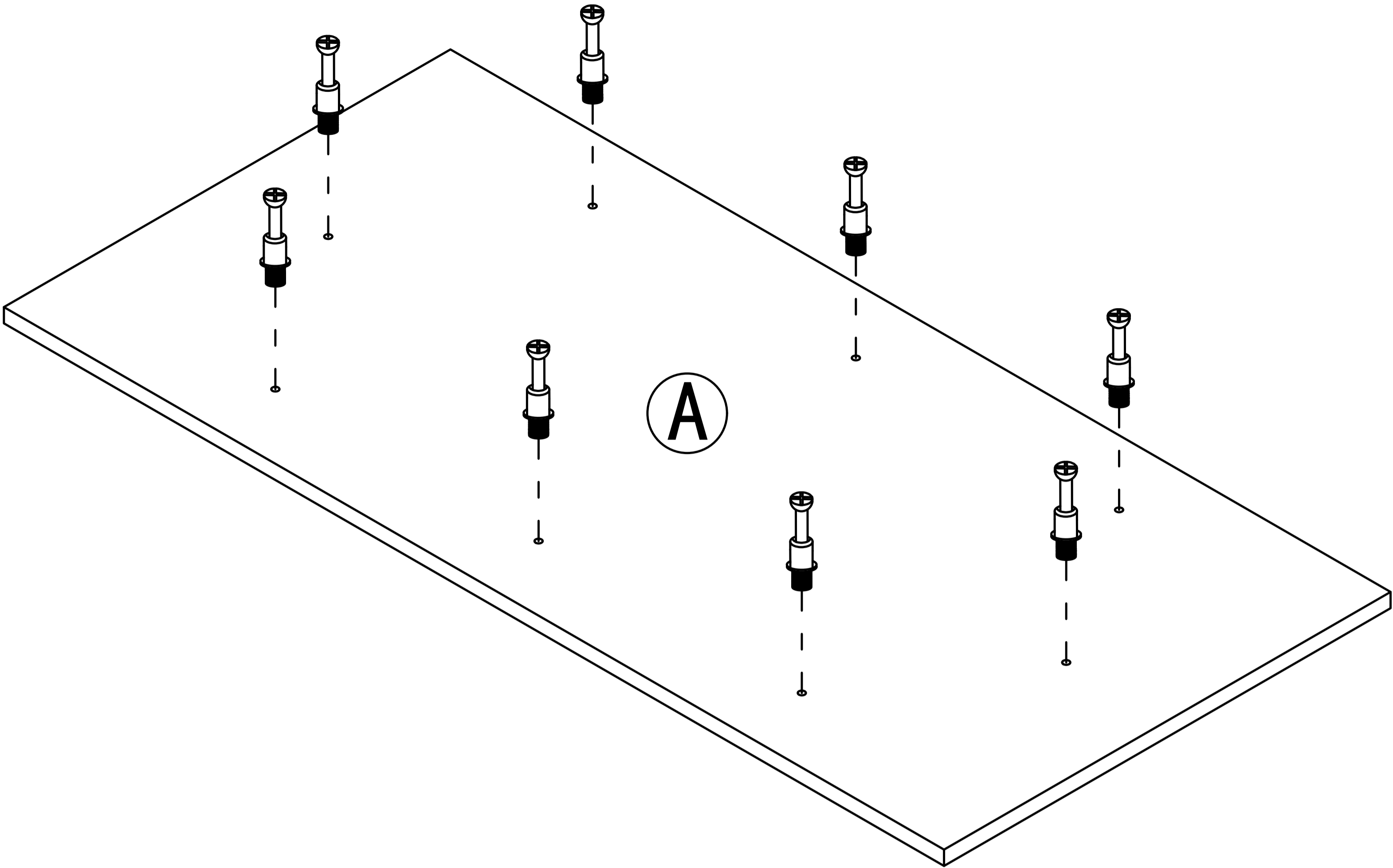
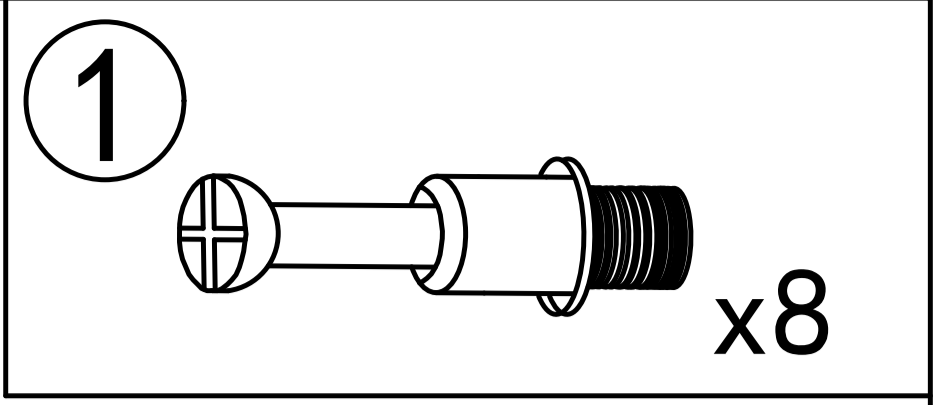
Step 3

2  x4

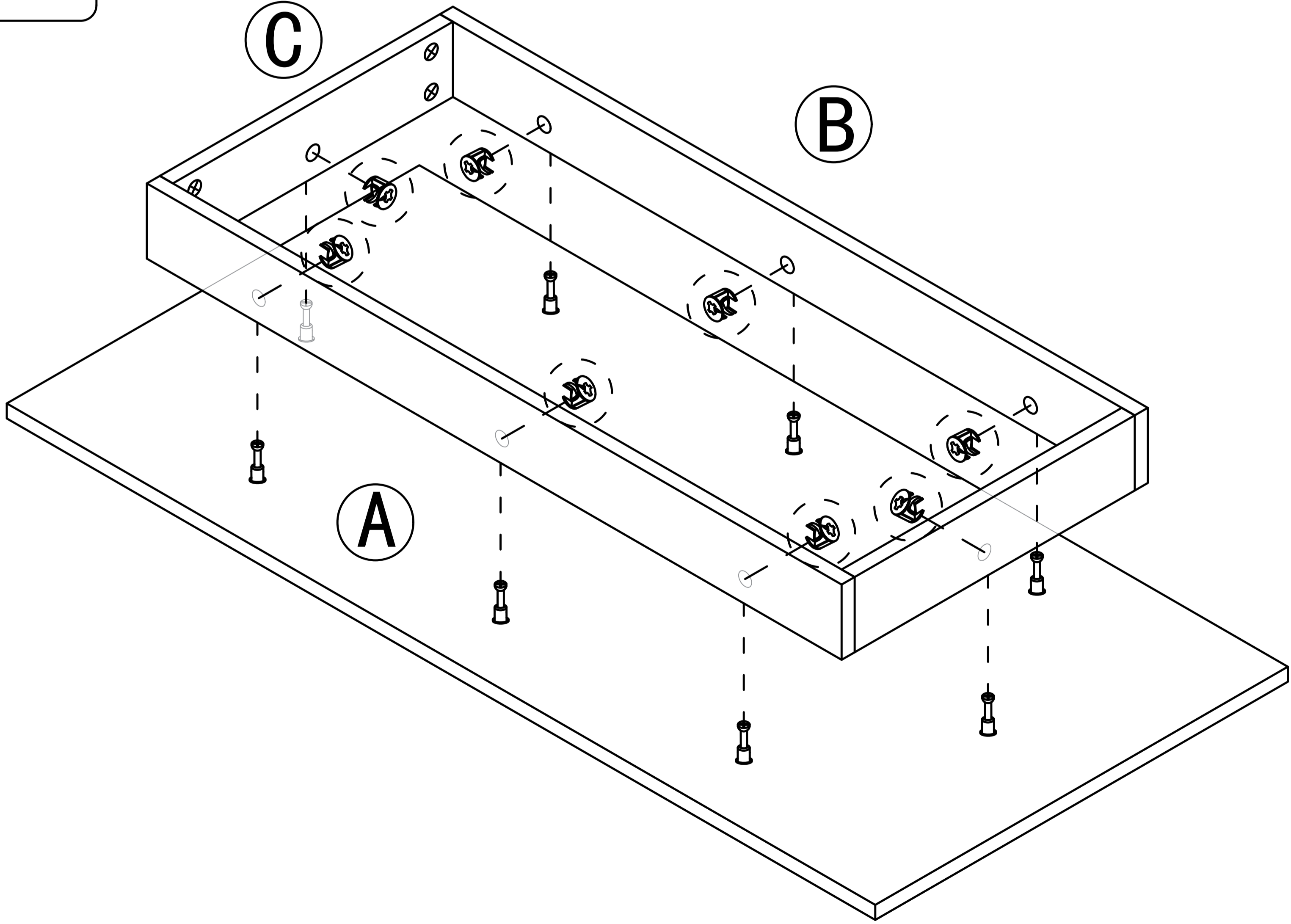
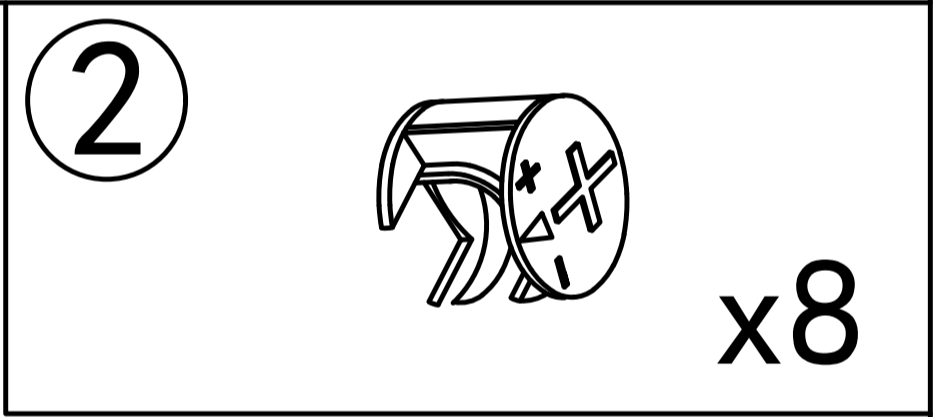


5

Step 4

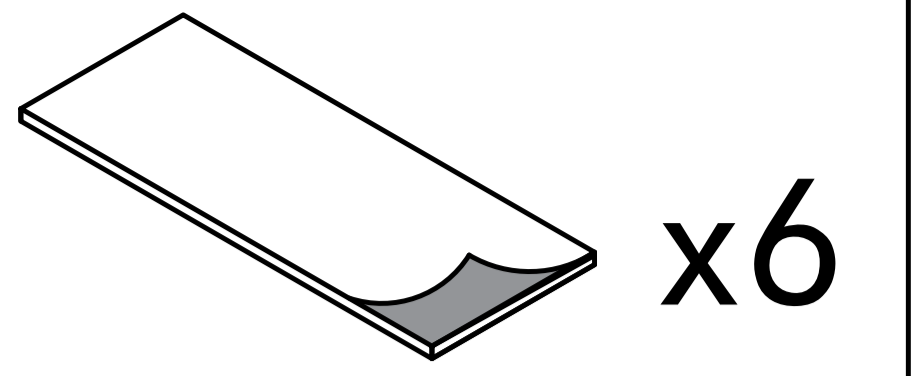


Step 5

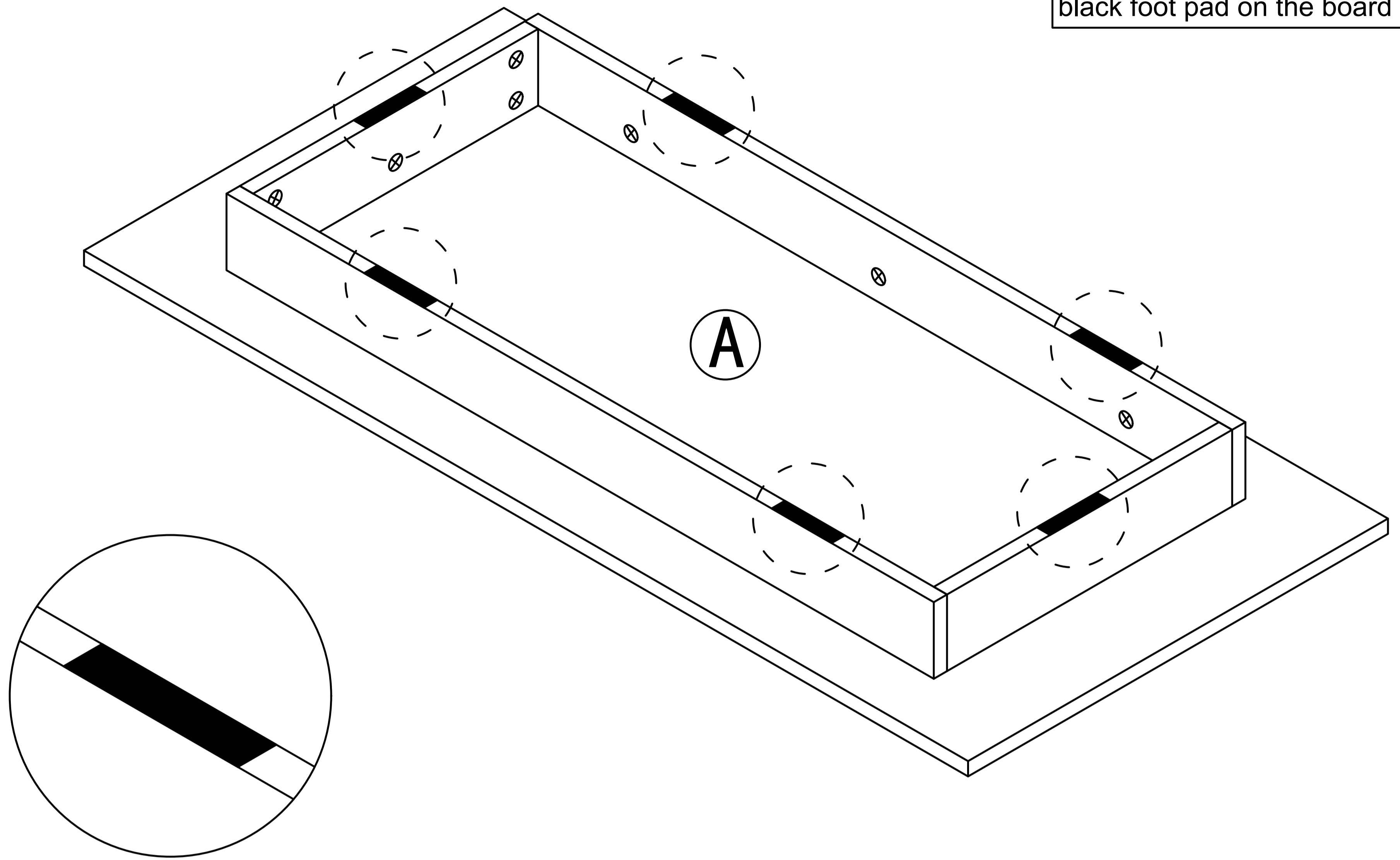


Step 6

4

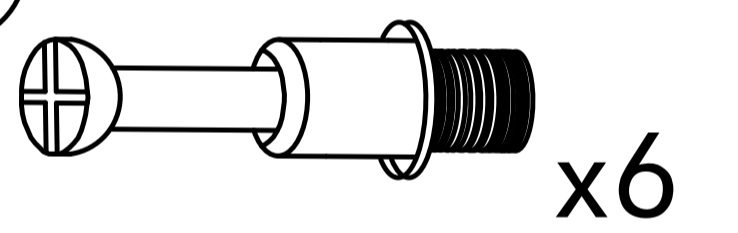


Tear off release paper and stick the black foot pad on the board

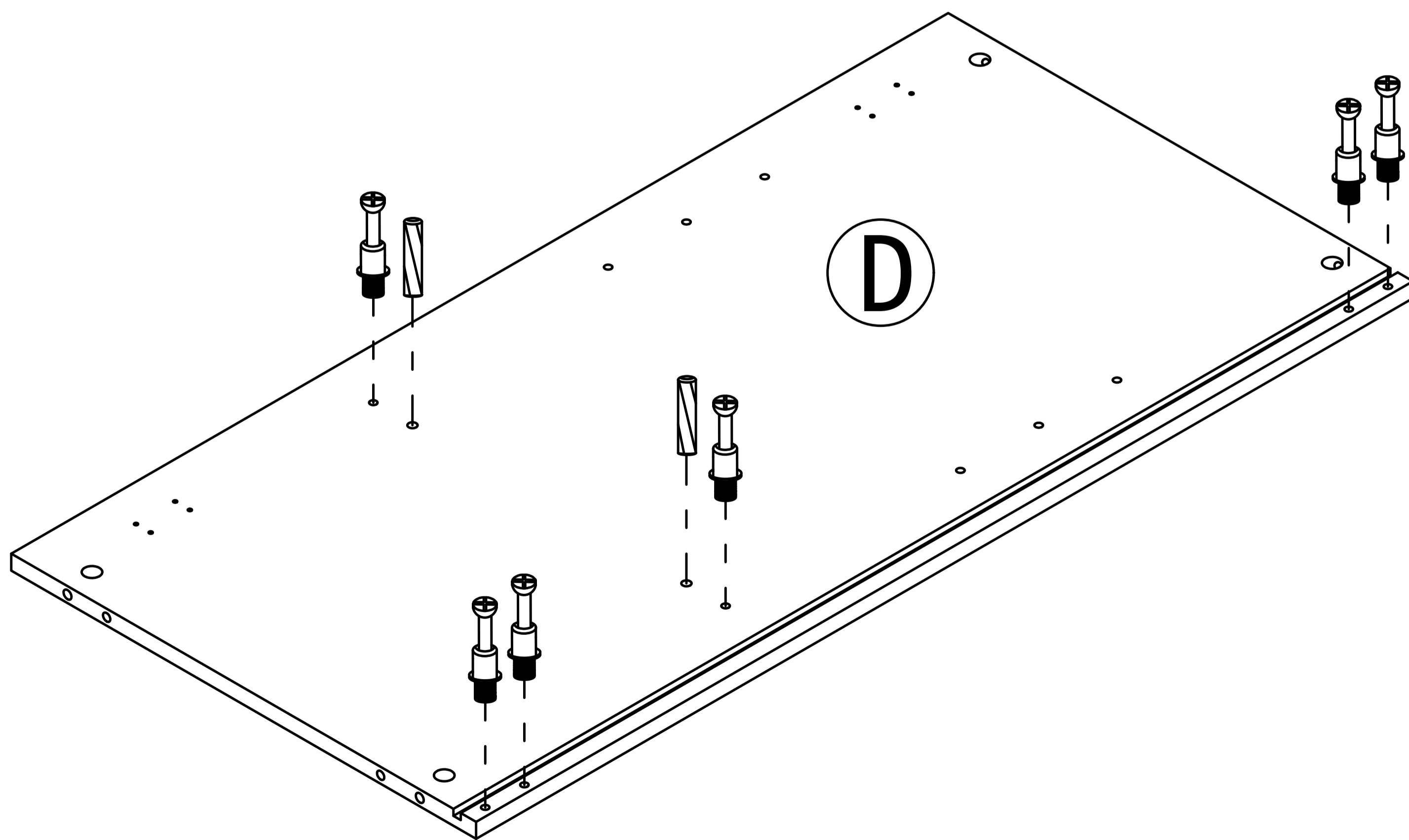
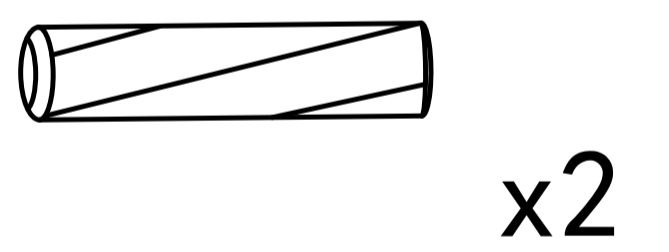


Step 7

1

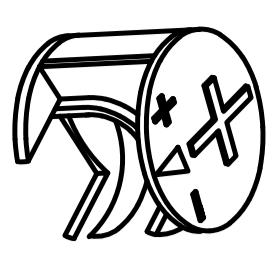


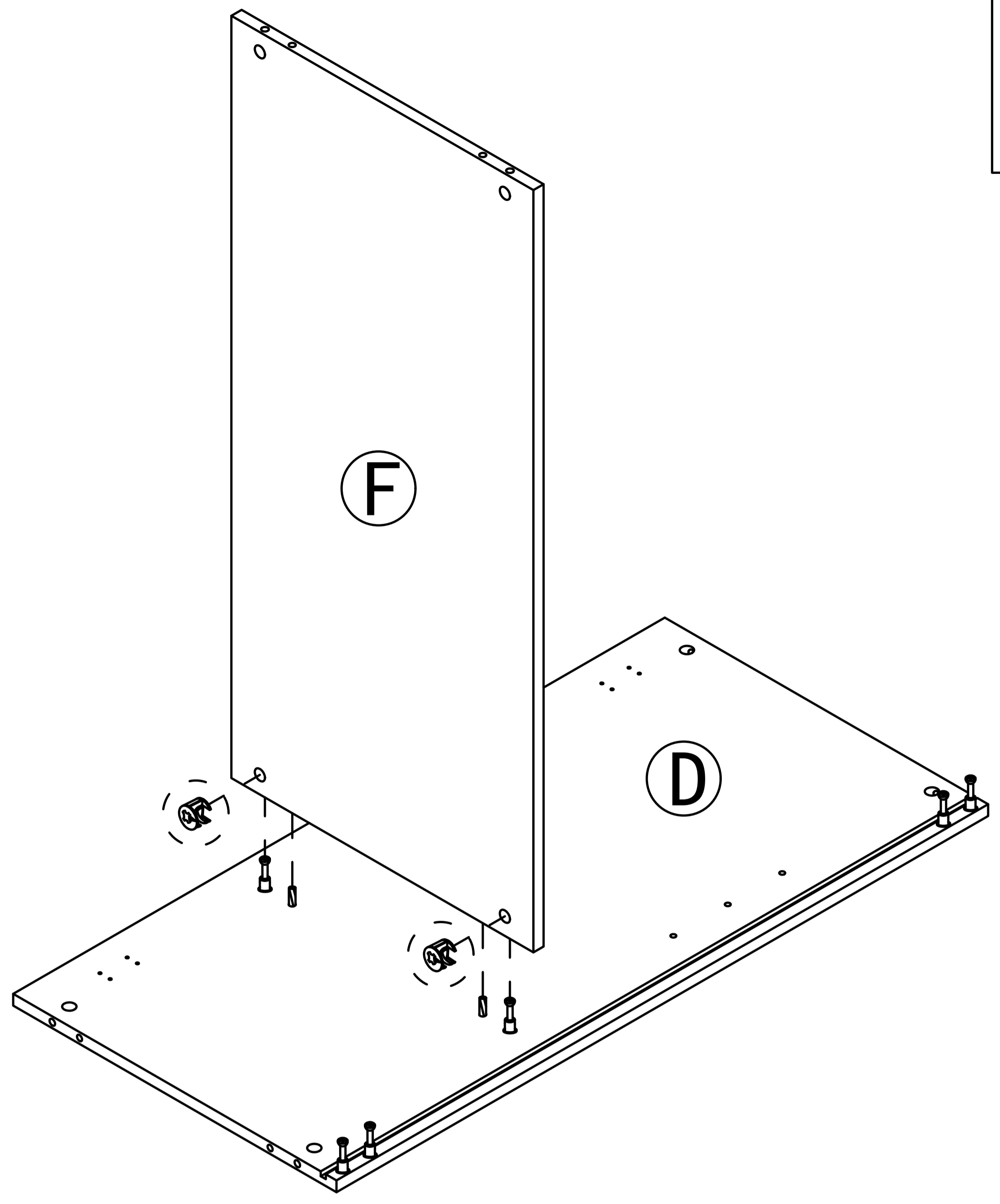
3



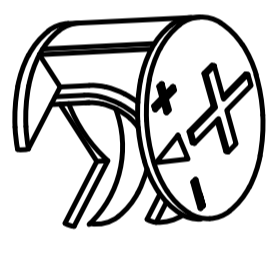
7


Step 8

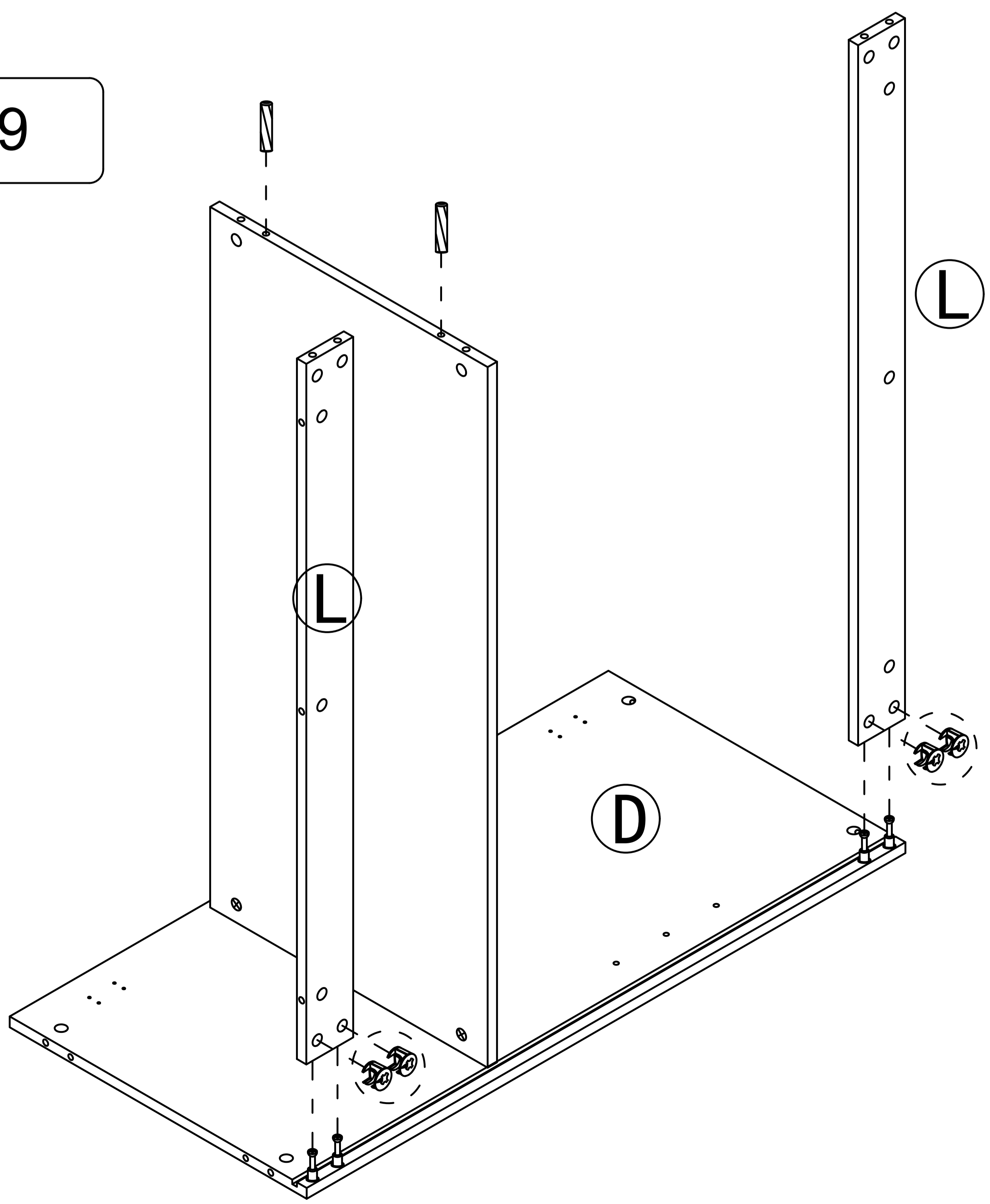
②  x2



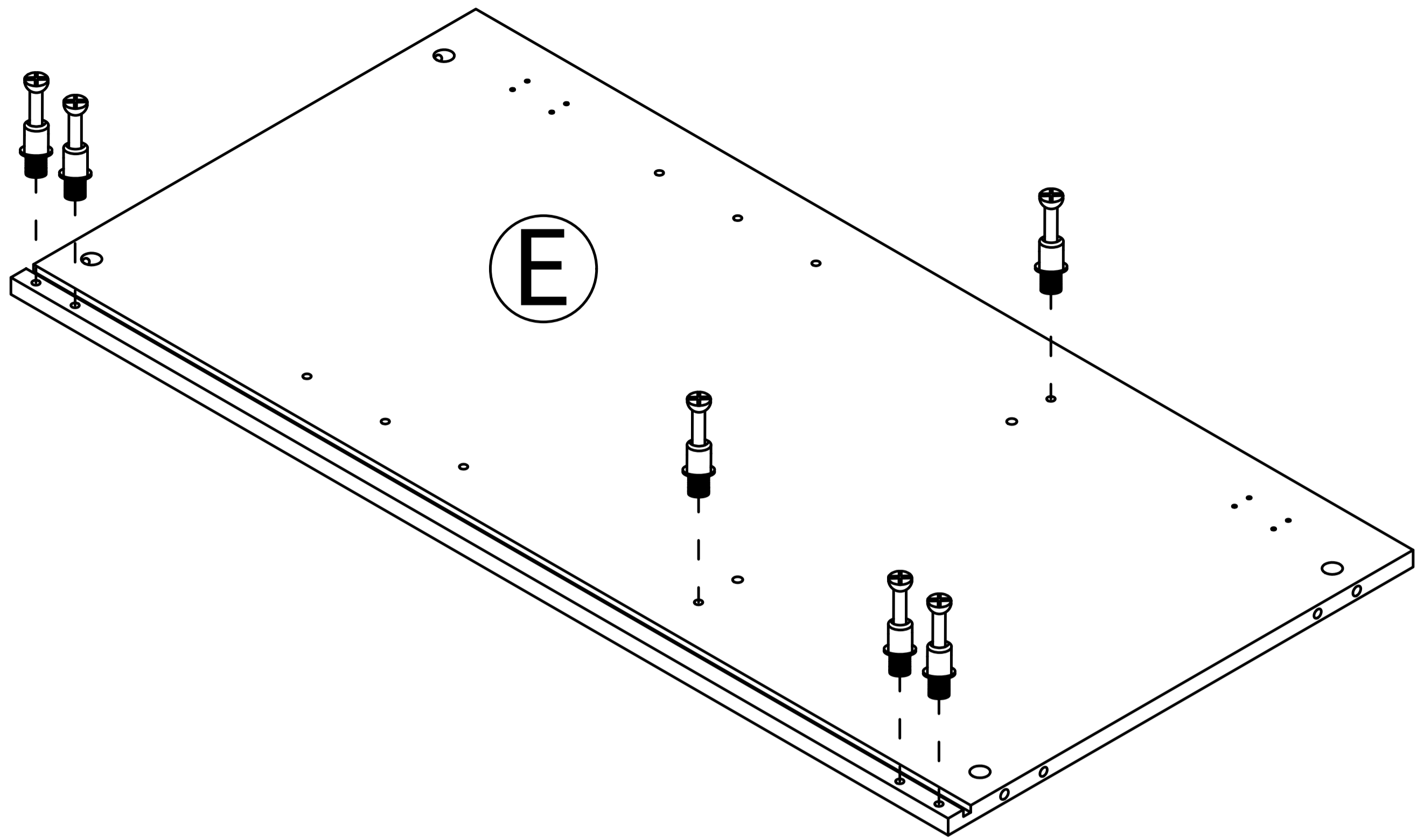
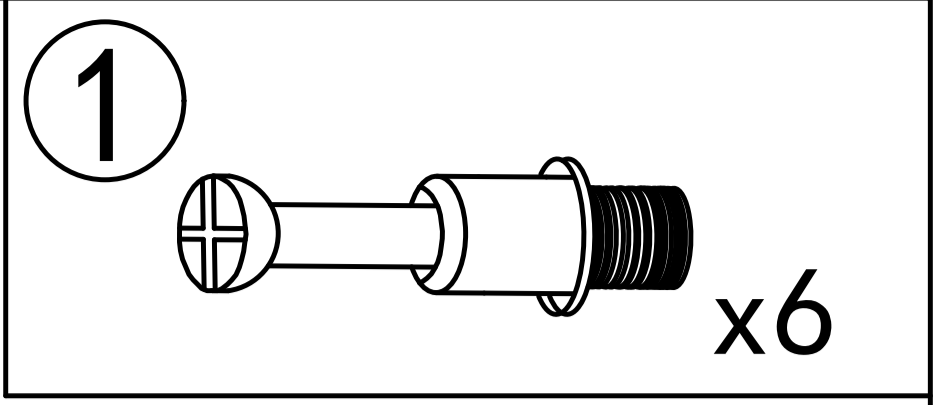
Step 9

②  x4

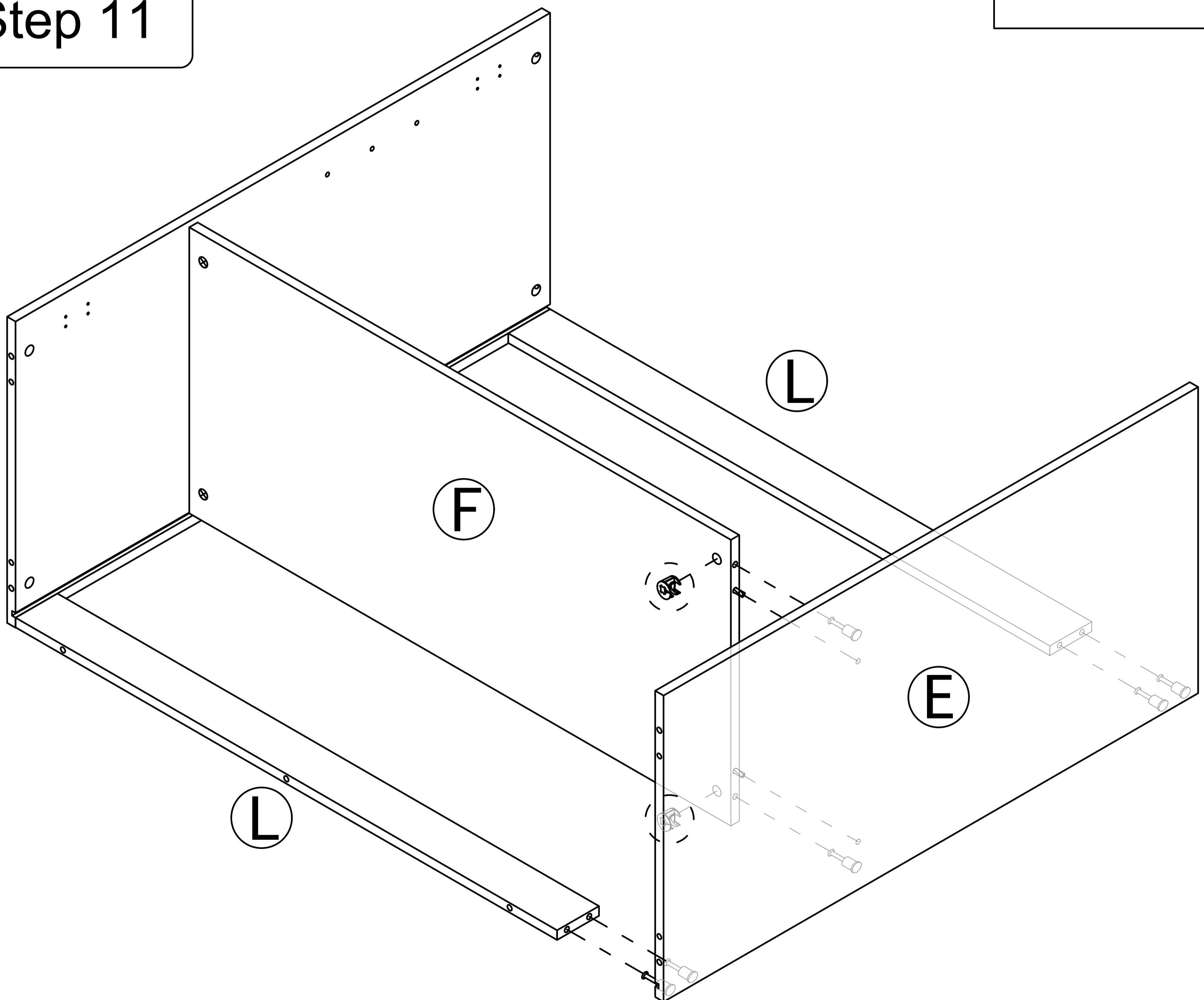
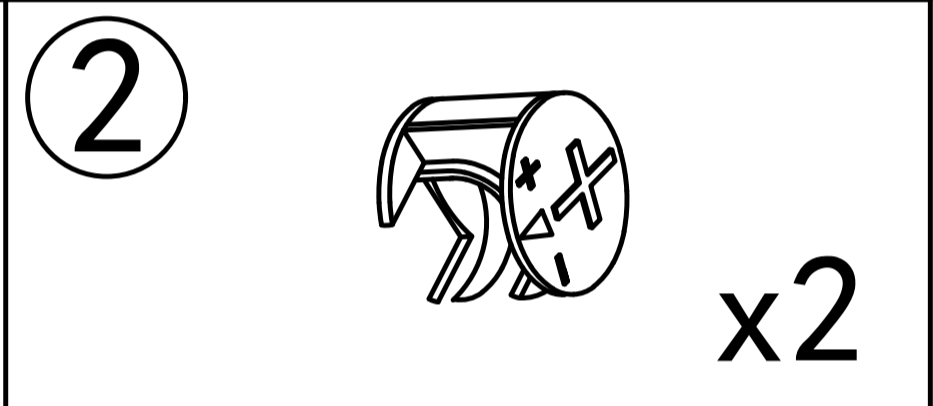
③  x2



Step 10

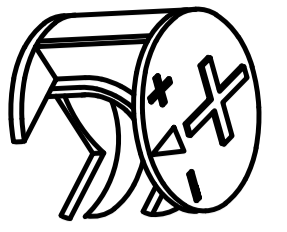


Step 11

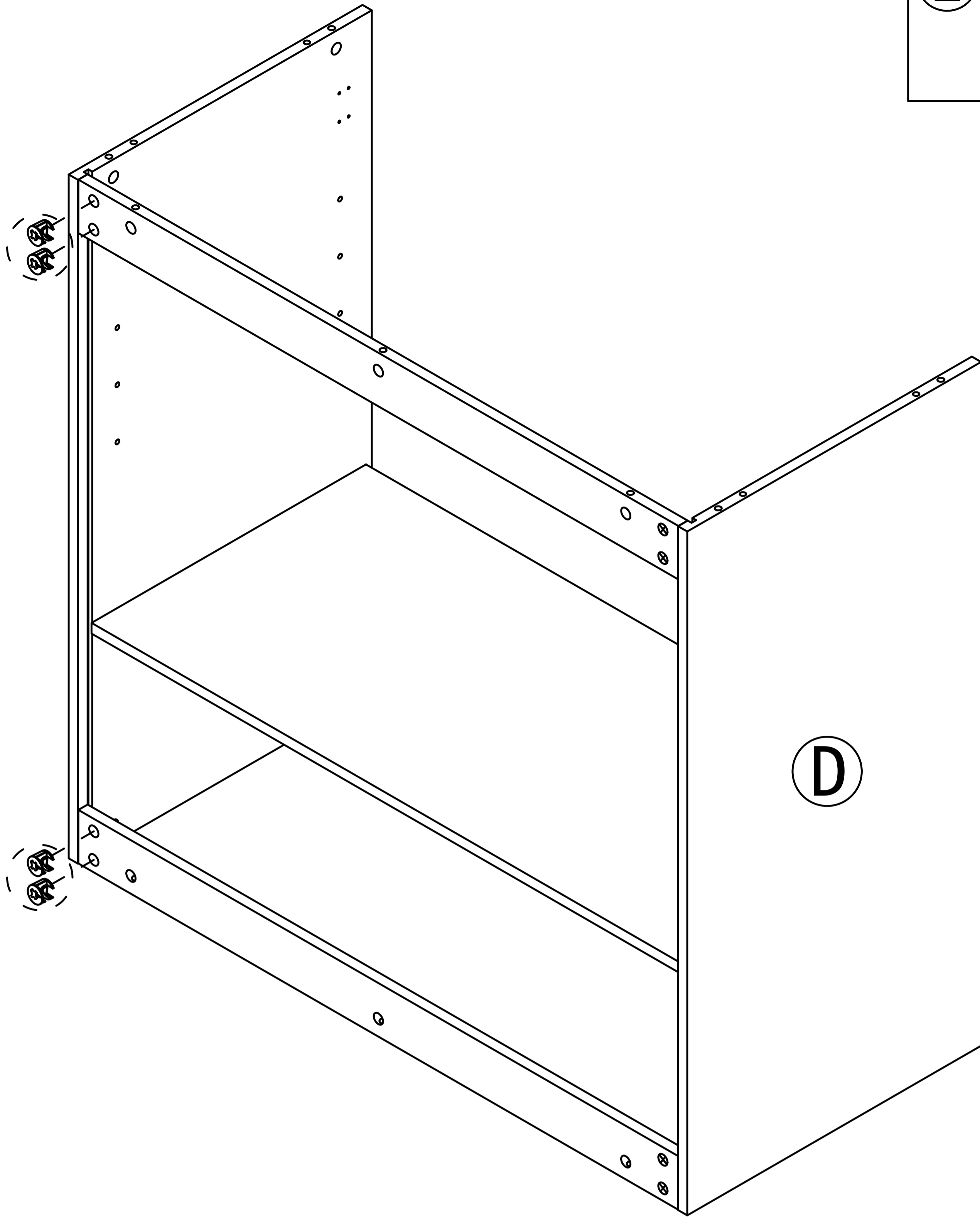


Step 12

2

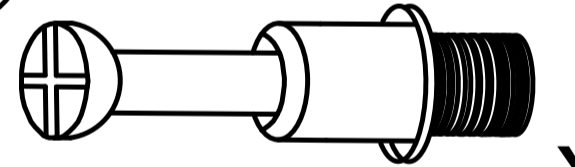


x4



Step 13

1

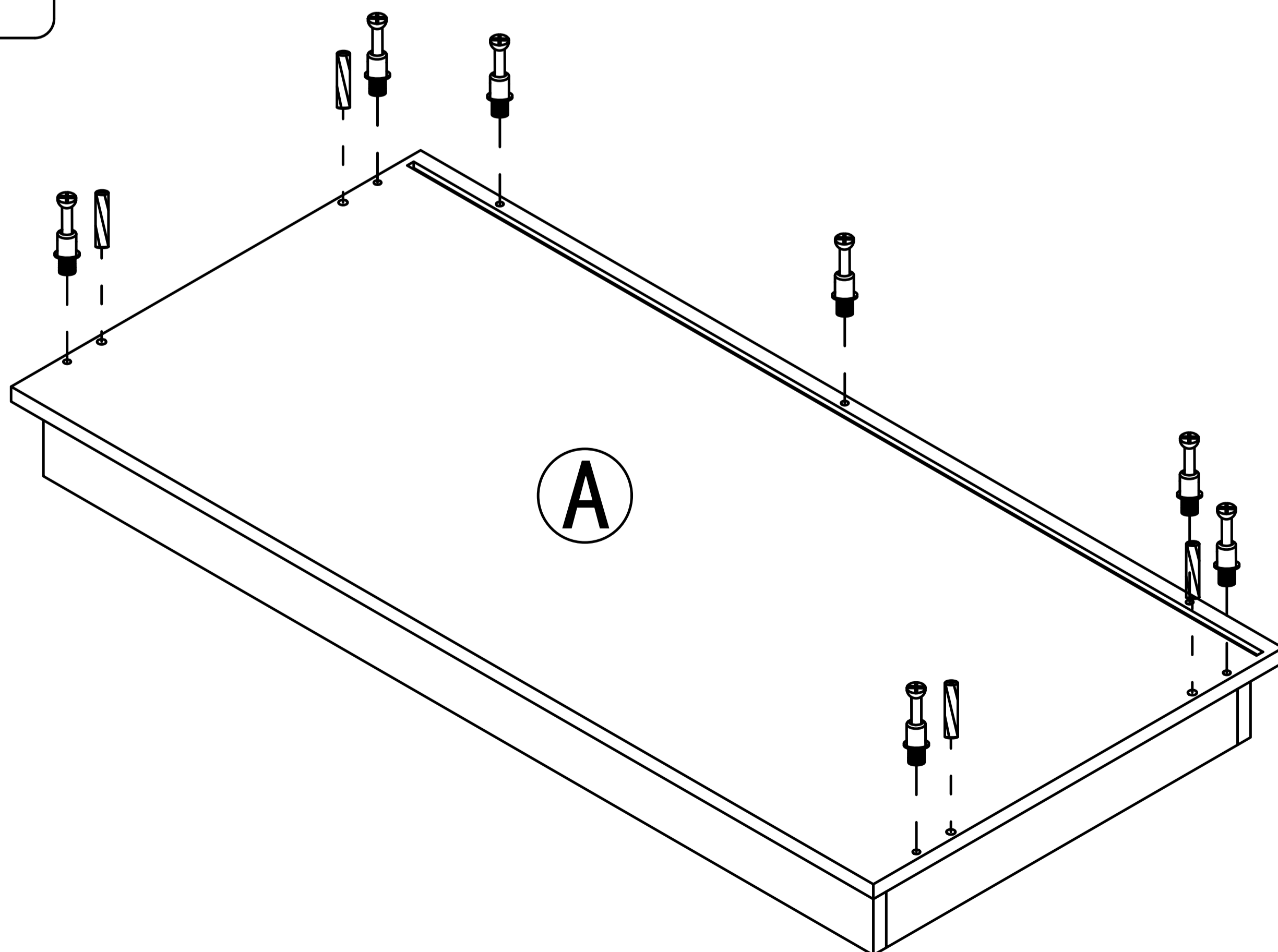


x7

3

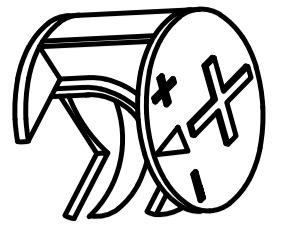


x4

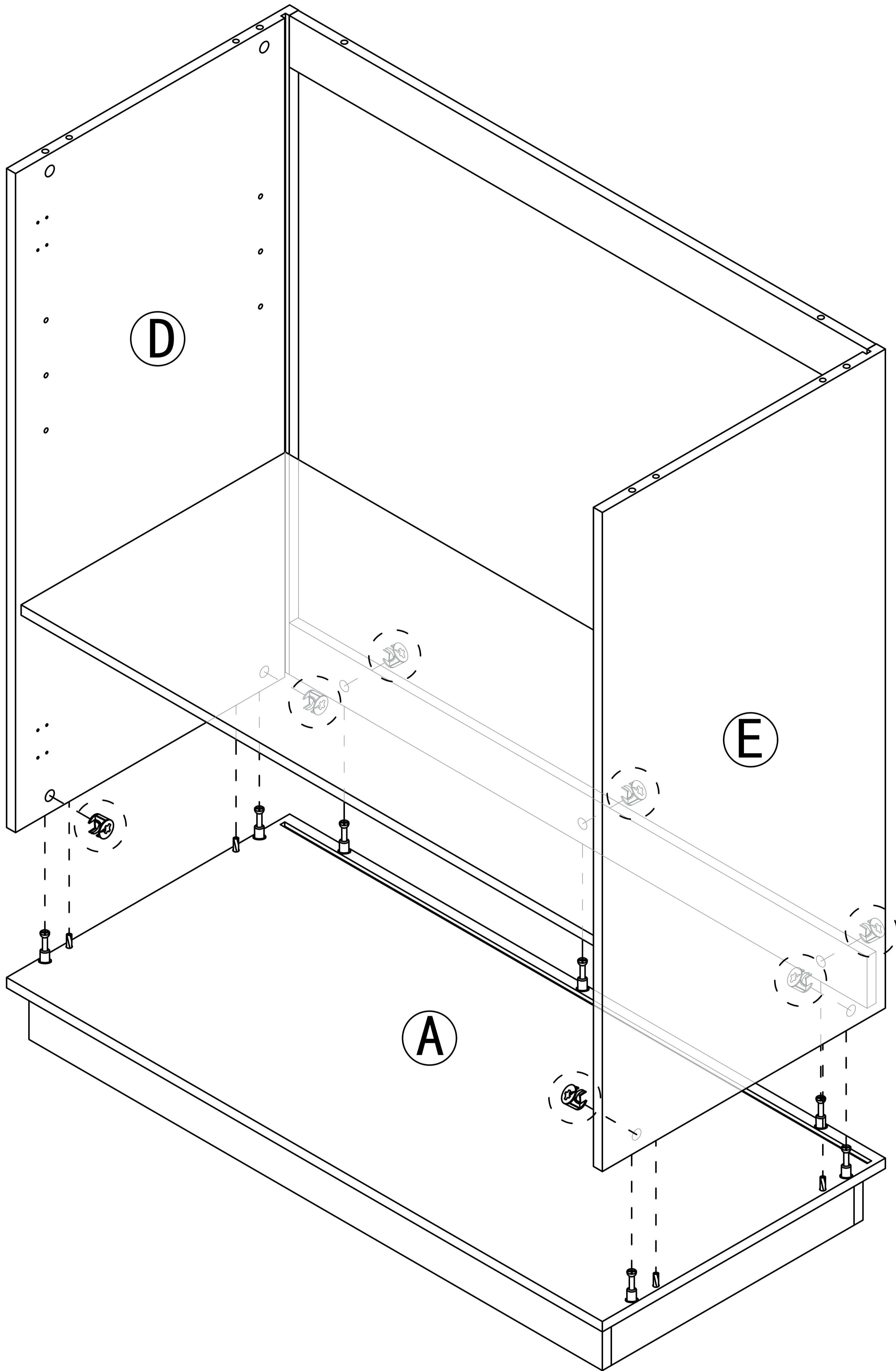


Step 14

2


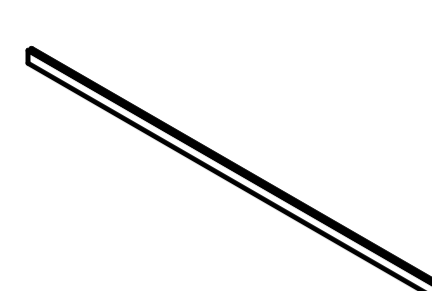


x7

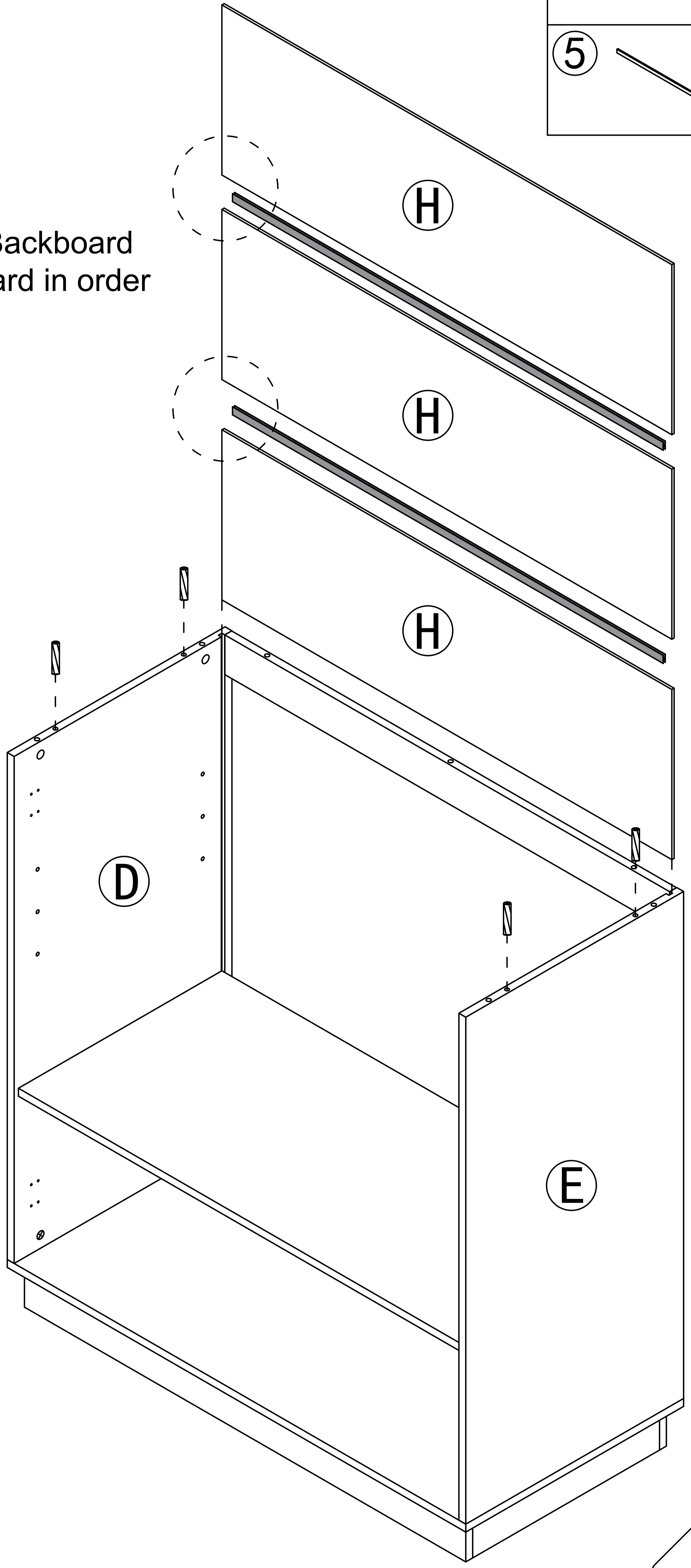
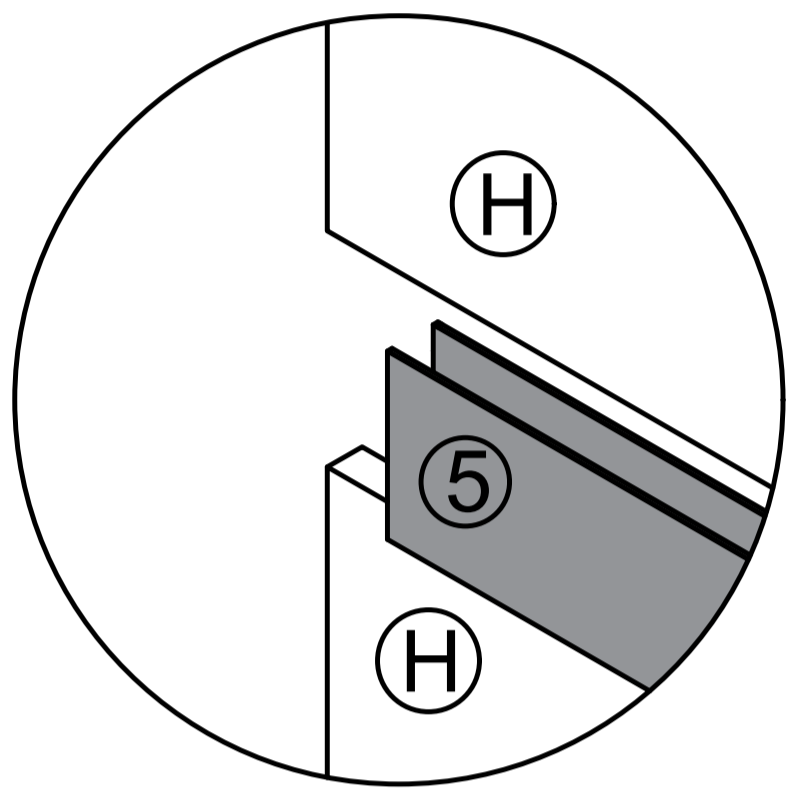


It is recommended that two people work together to install the structural wood panels.

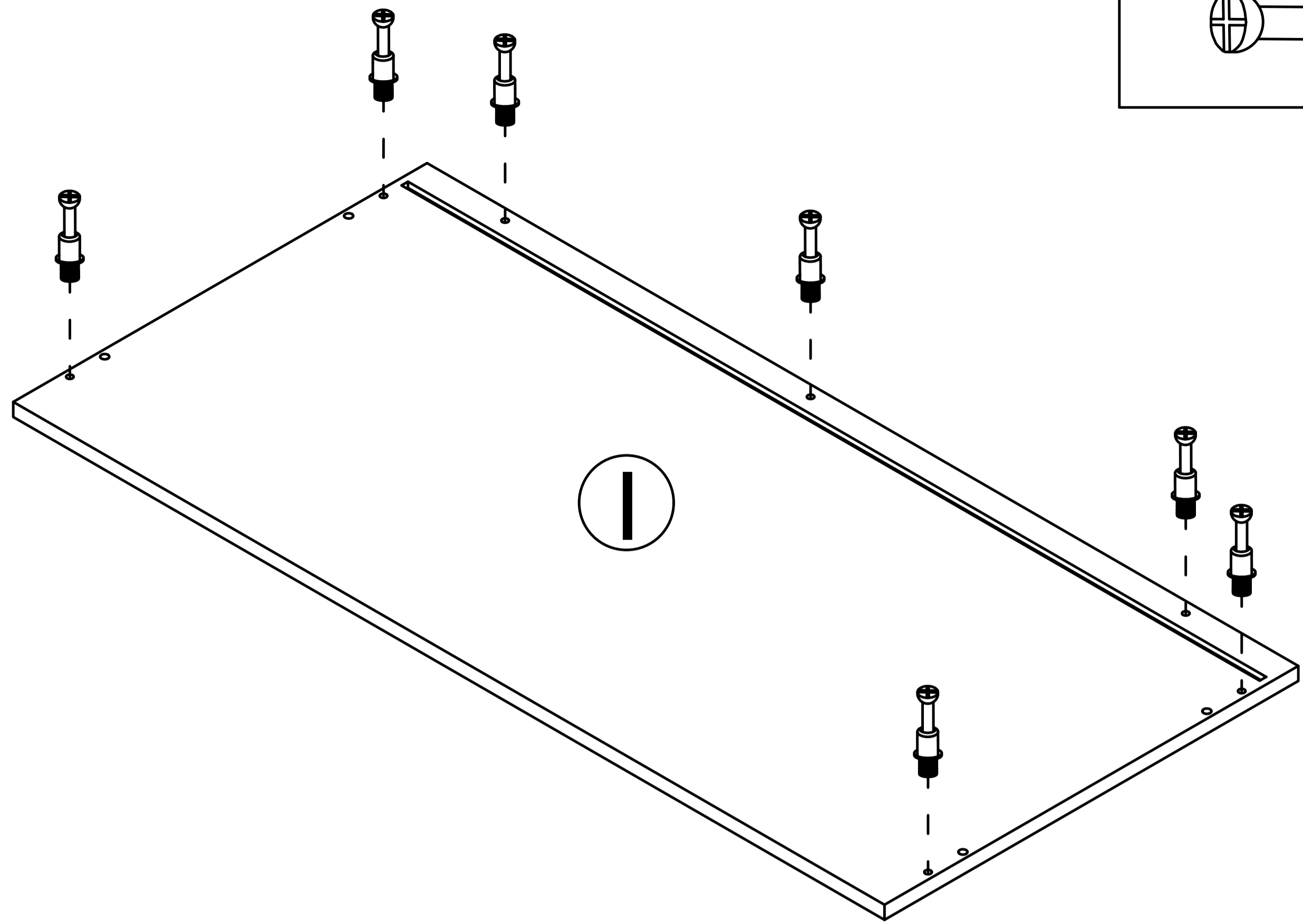
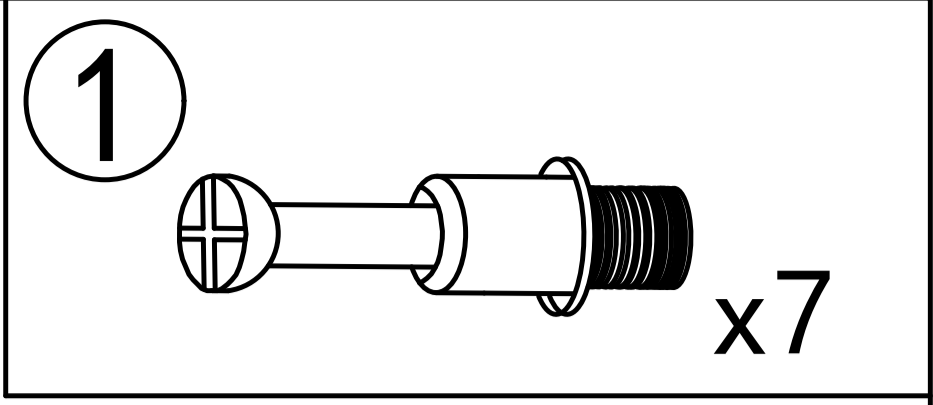
Step 15

- ③  x4
- ⑤  x2

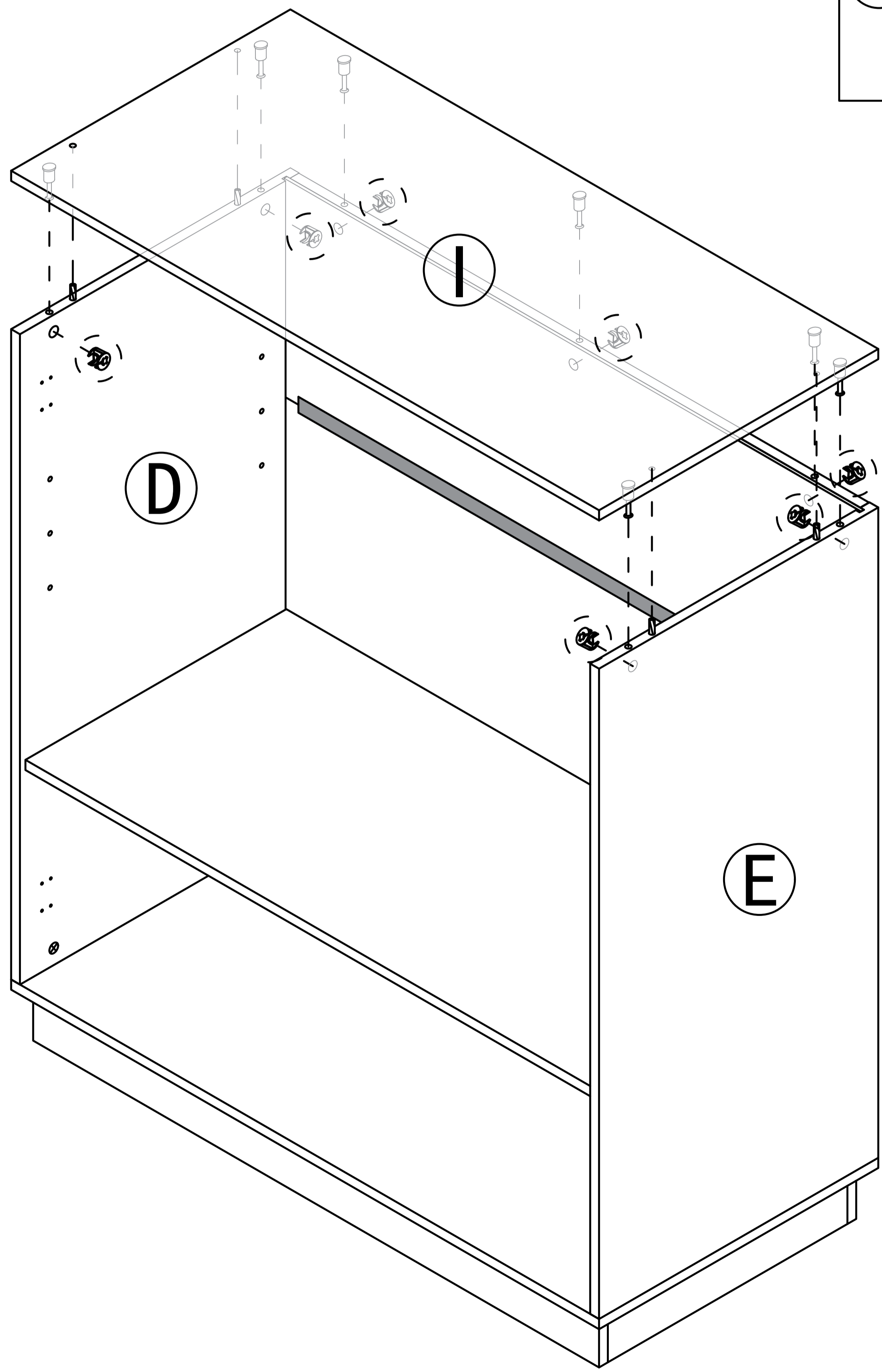
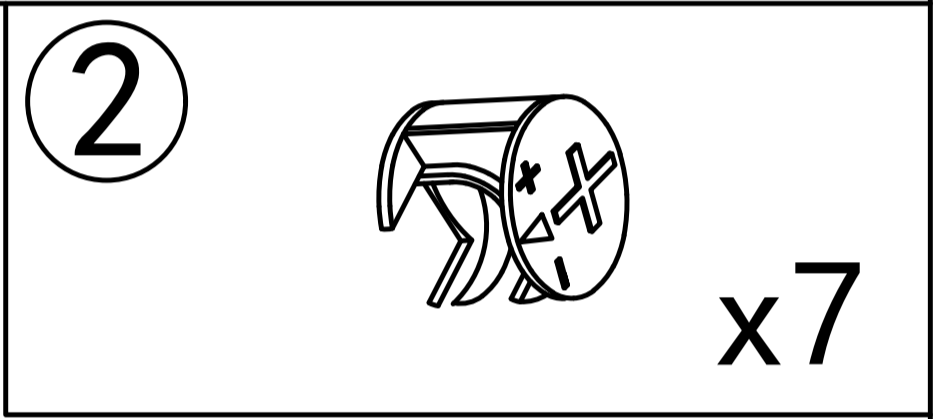
Place the "H" board, Backboard card strip, and "H" board in order



Step 16

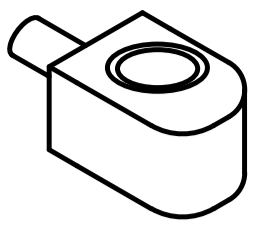


Step 17

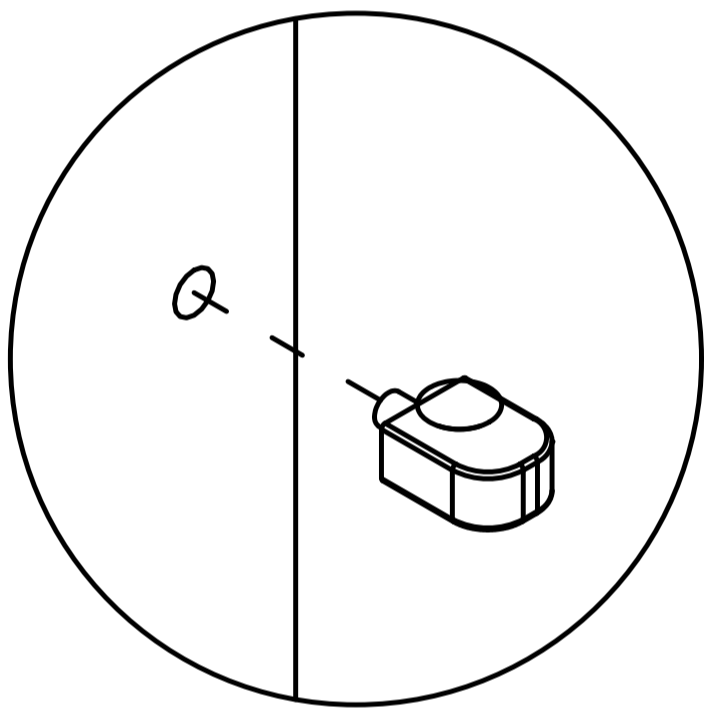
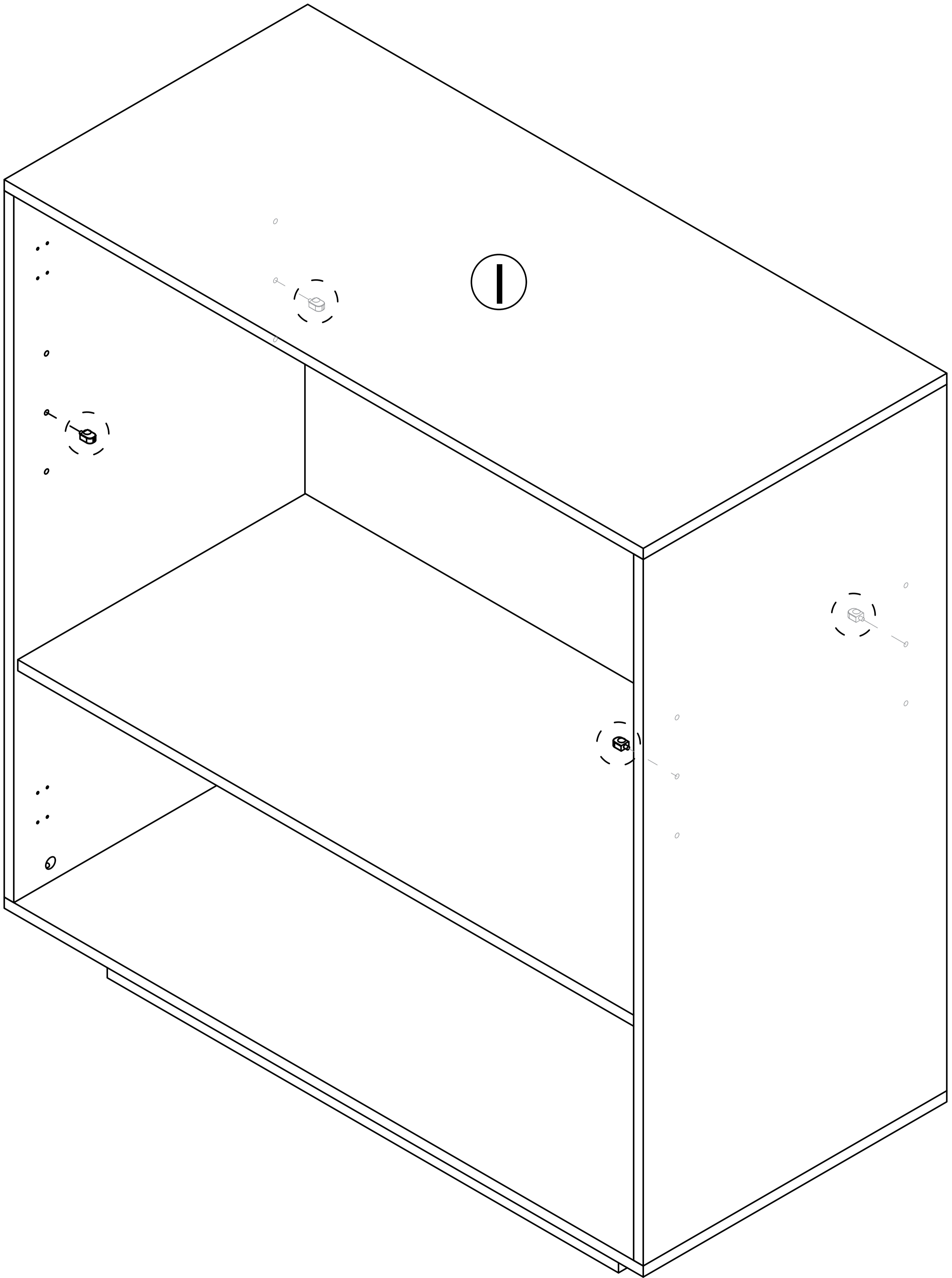


Step 18

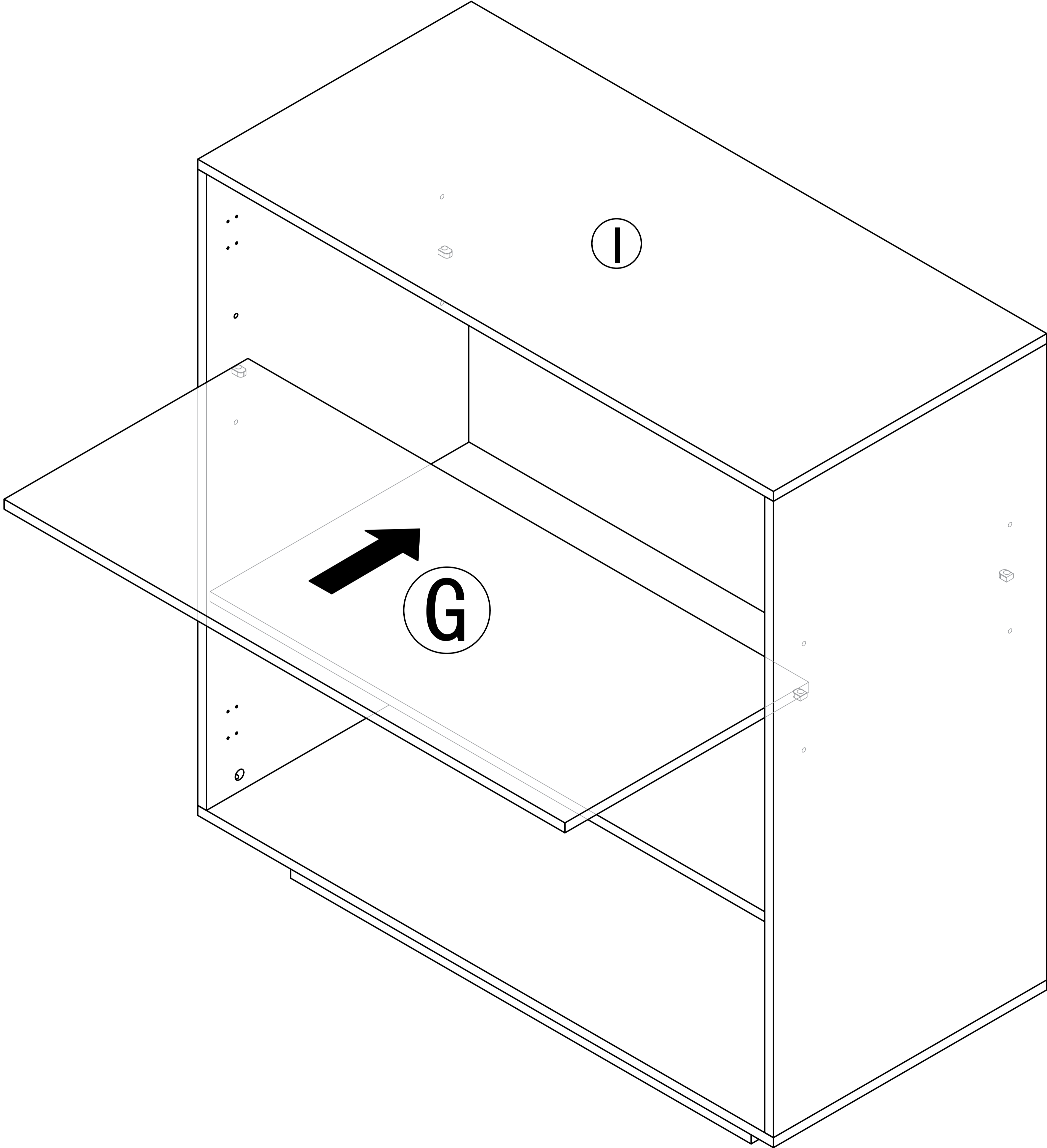
7



x4

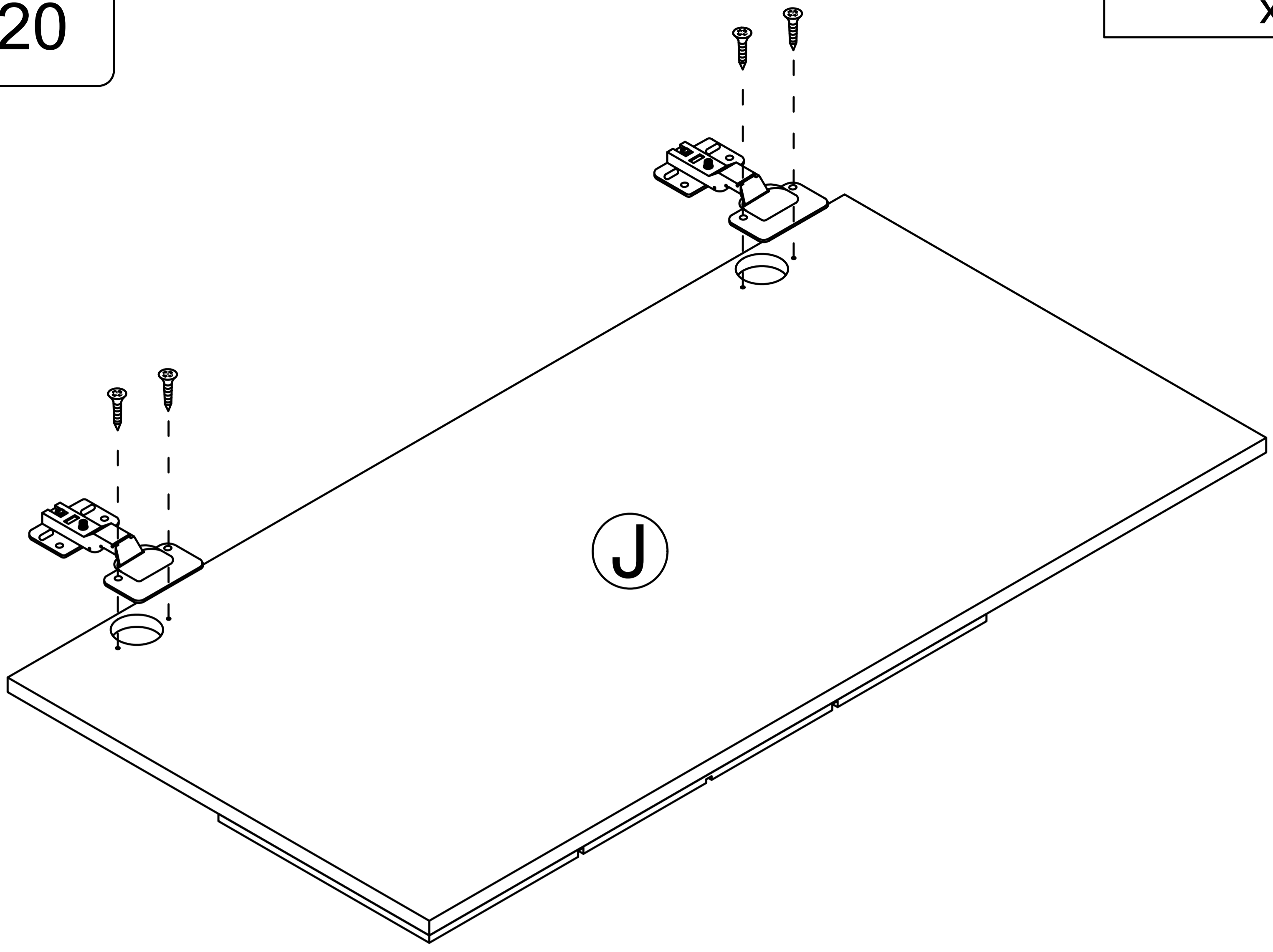


Step 19



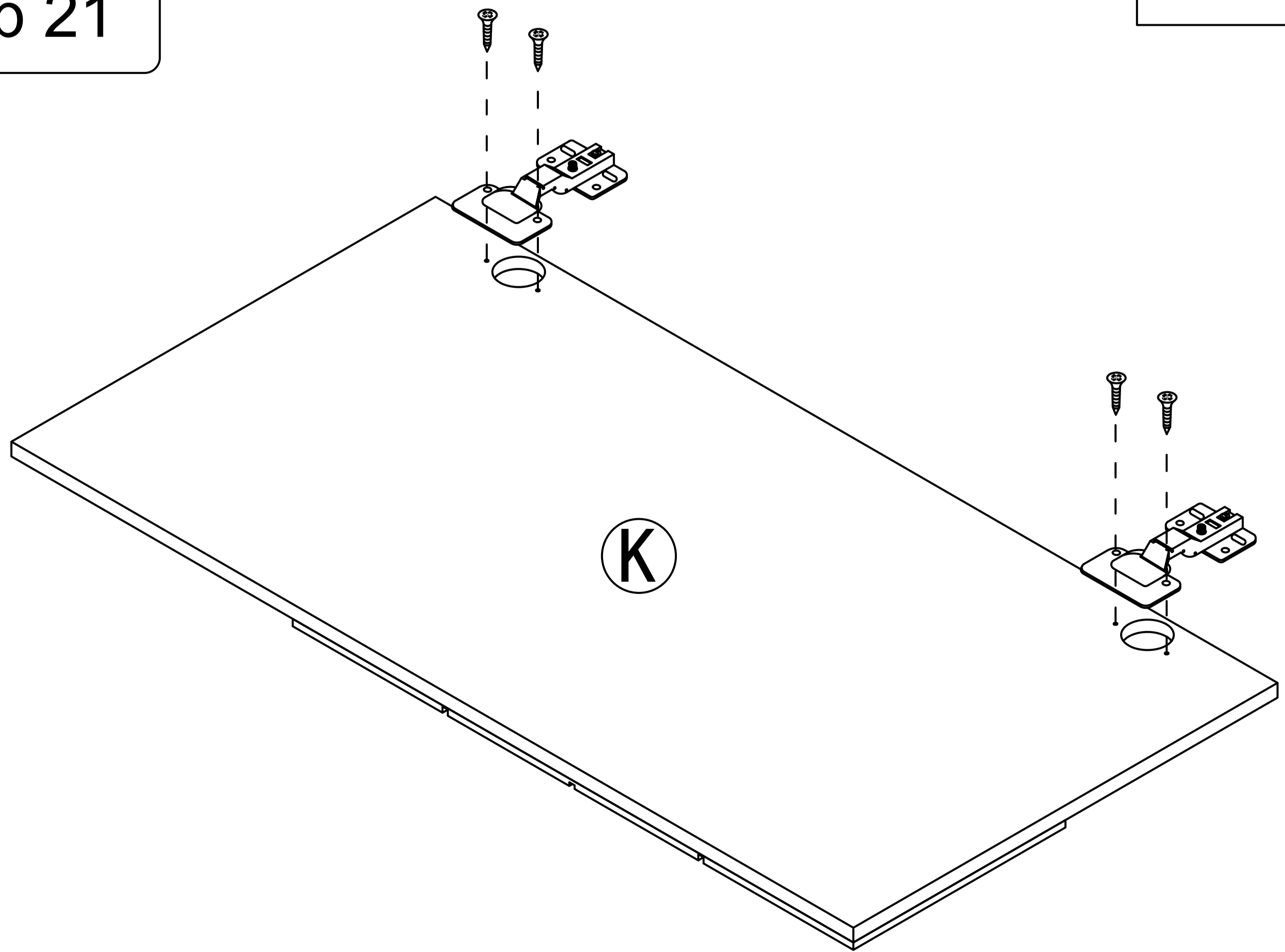
Step 20

8 x2 x4



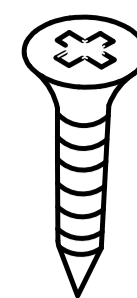
Step 21

8 x2 x4

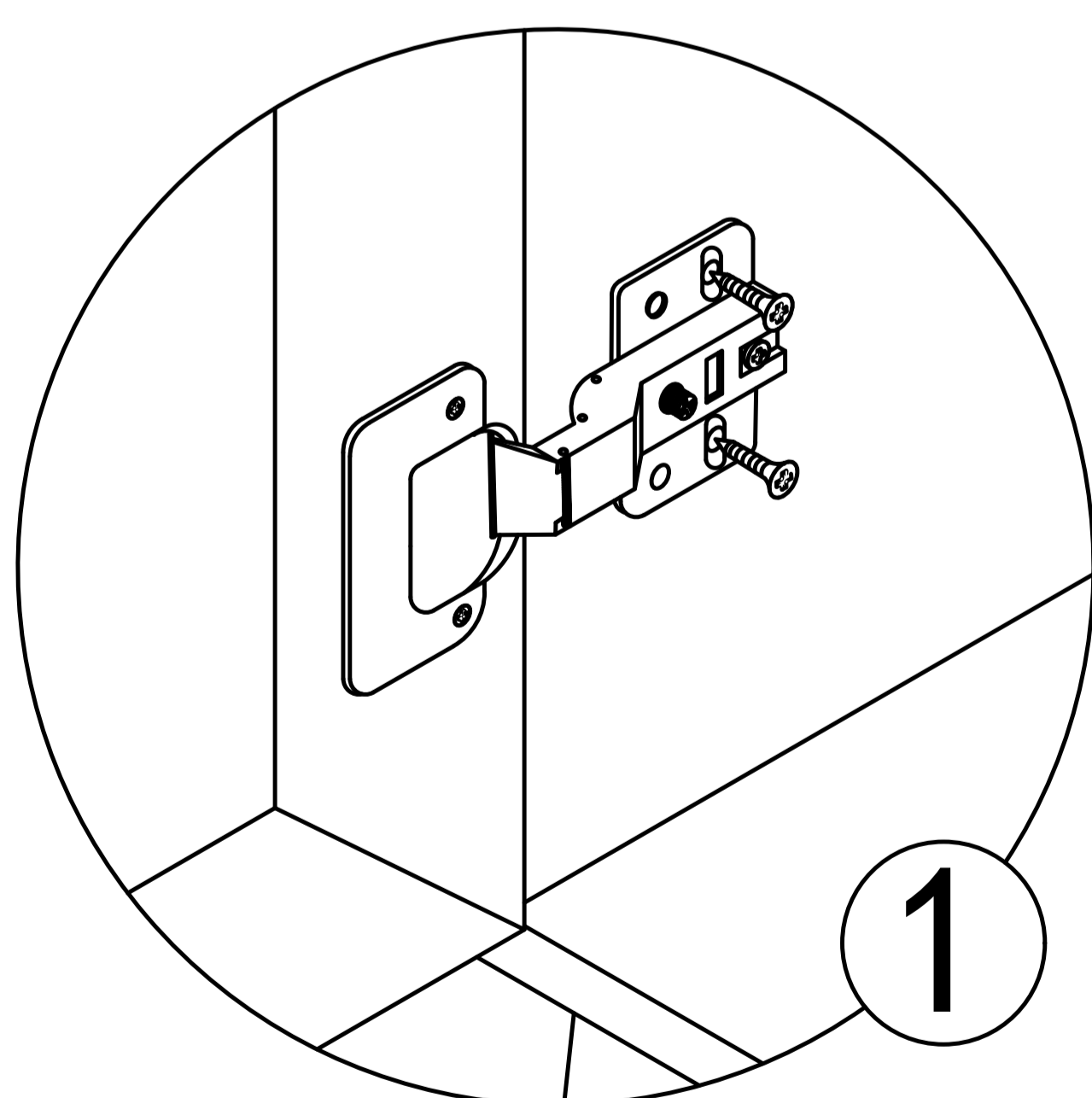
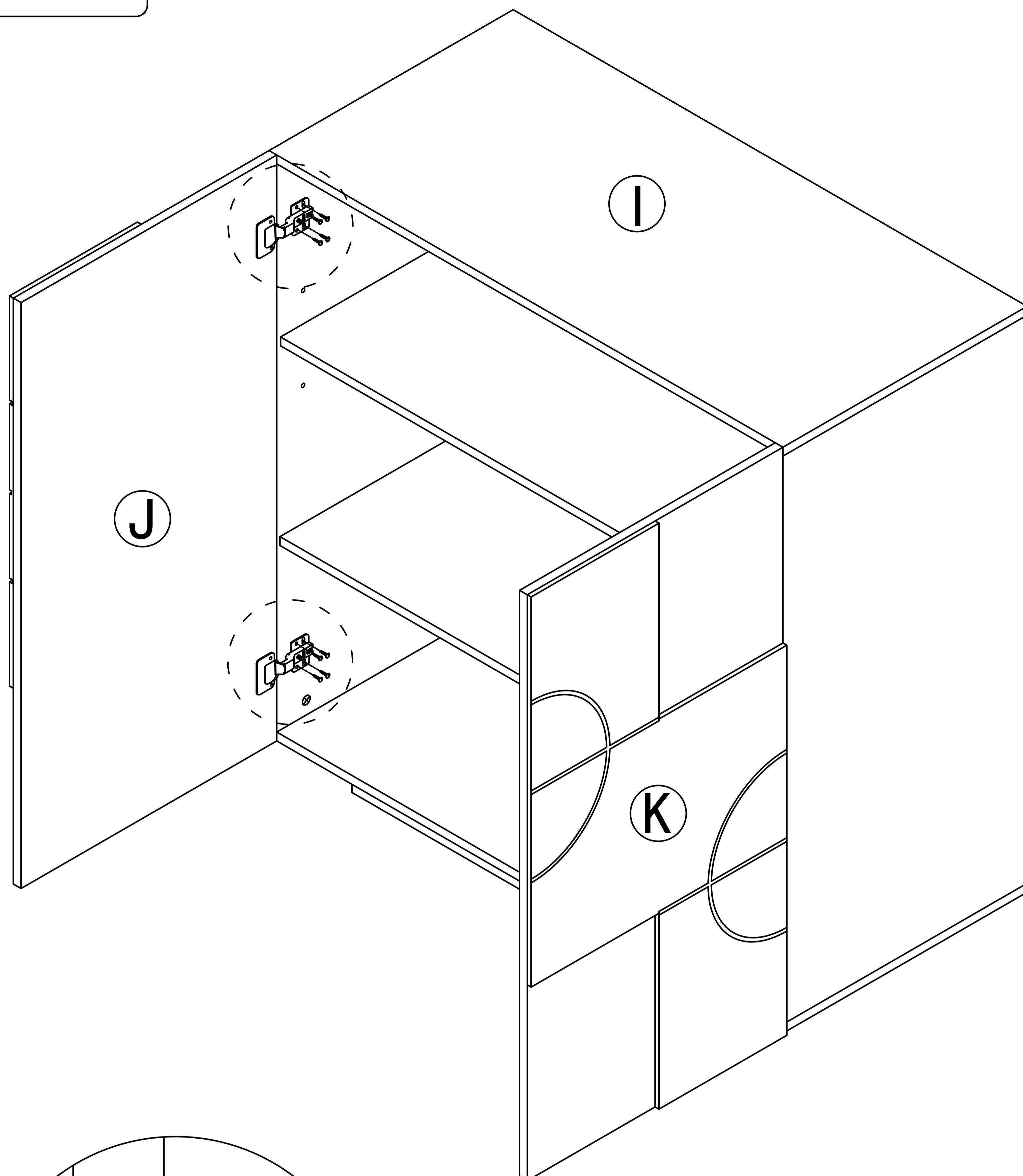


Step 22

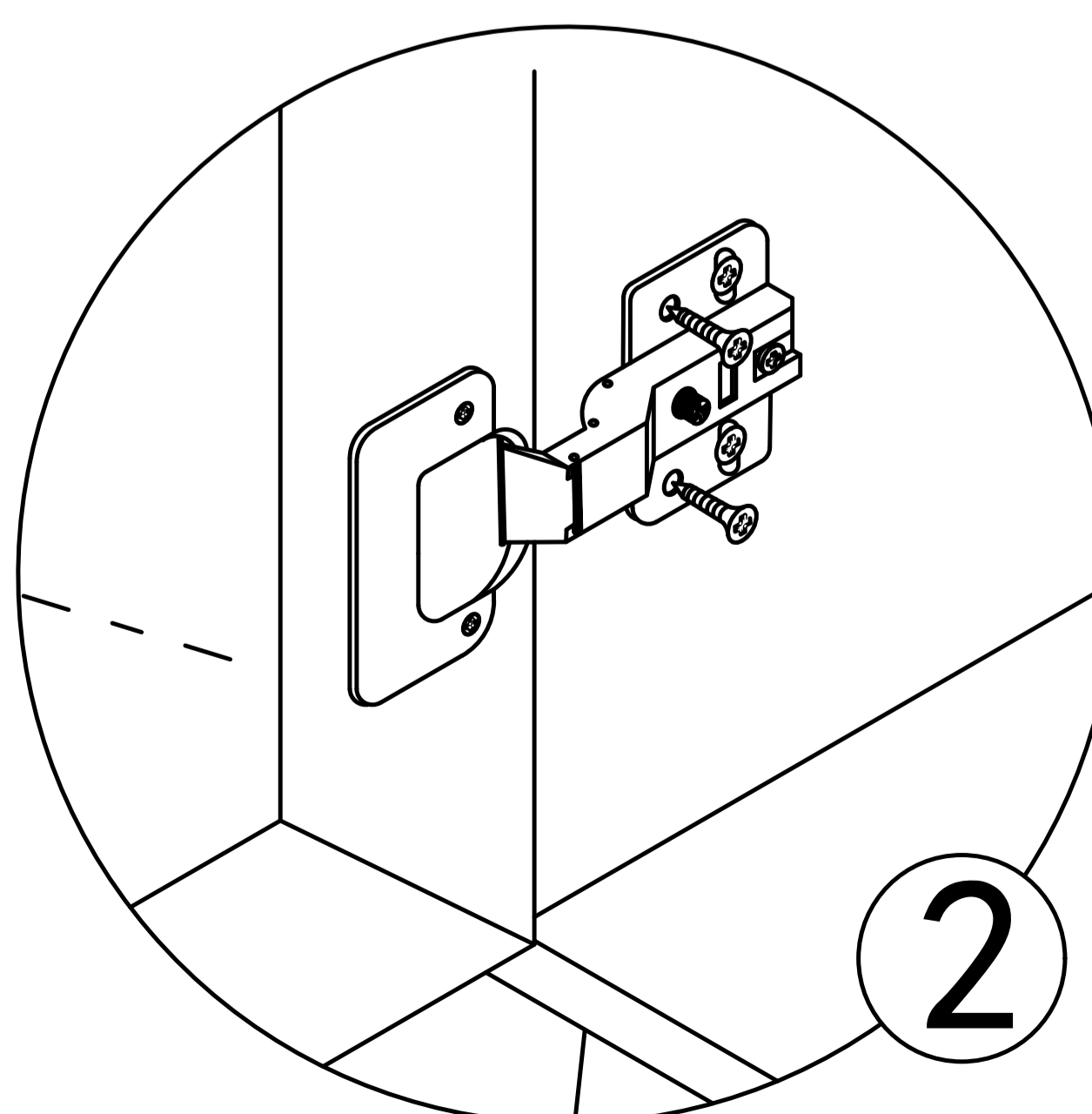
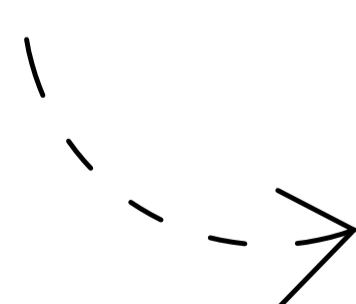
8



x16



1

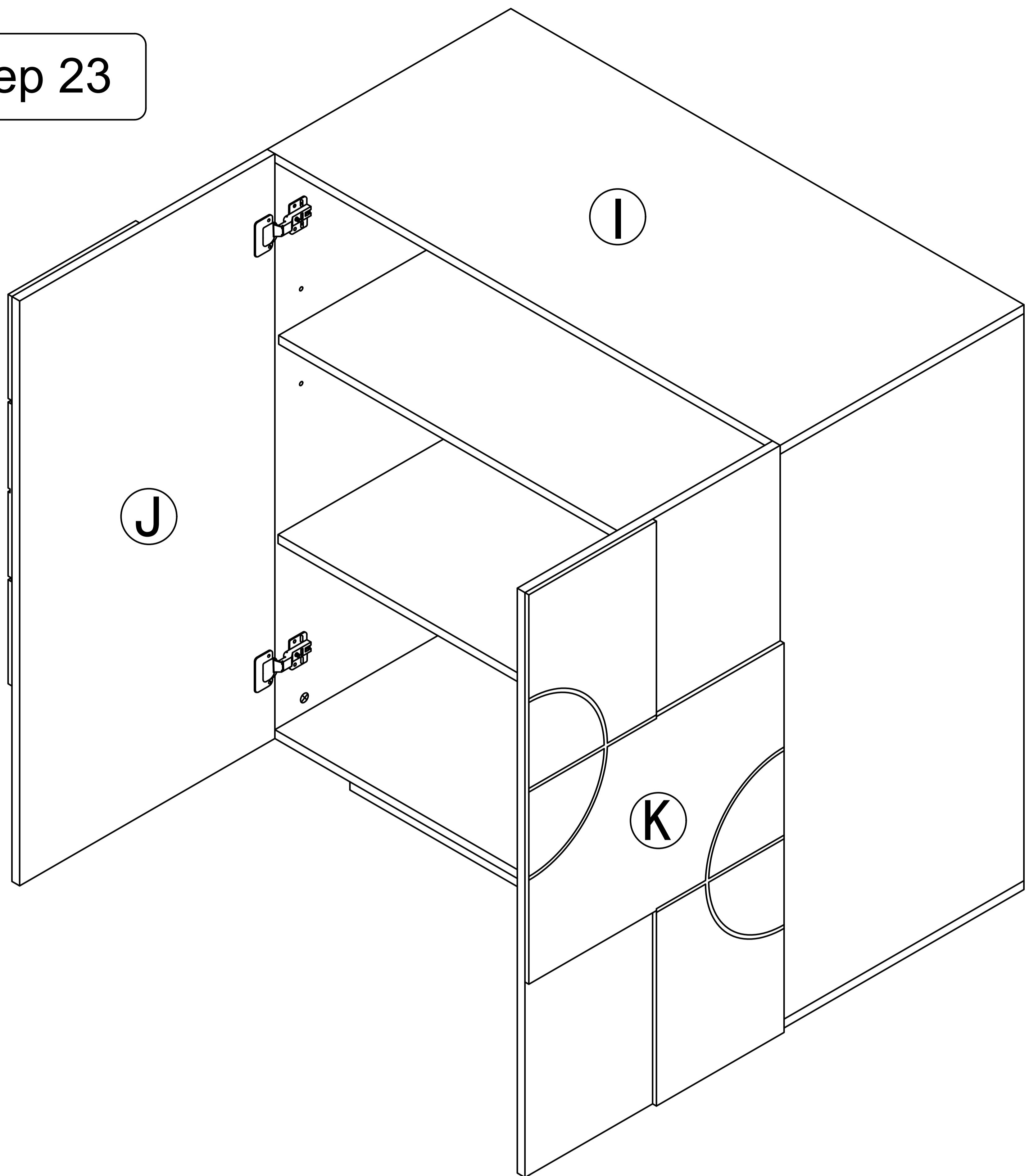


2

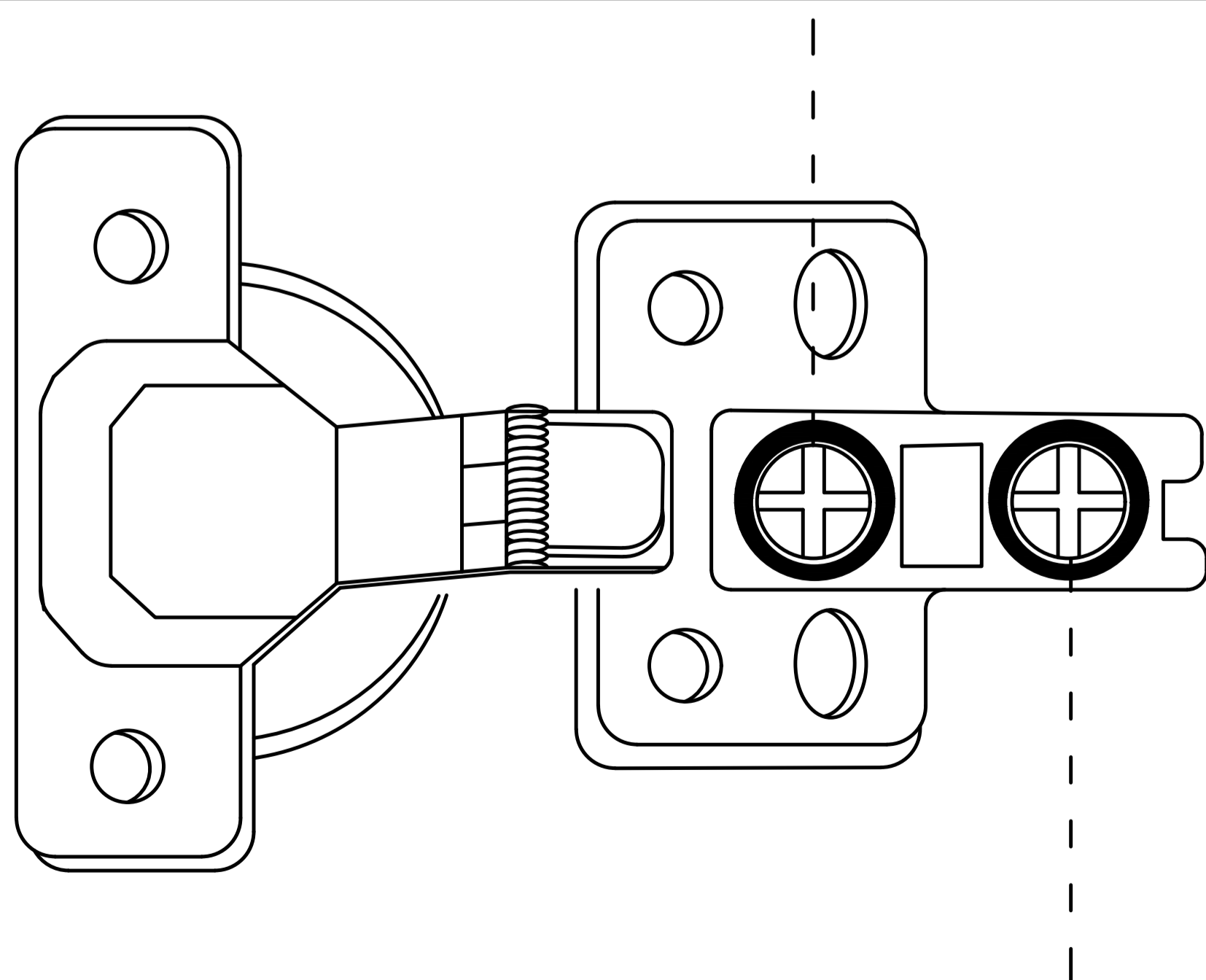
First lock the elliptical hole
then lock the fixed hole

17

Step 23



Turning this screw can effectively adjust the size of the door gap.



Turn this screw to adjust the door panel to be flat with the side panel.

Step 24

5

