

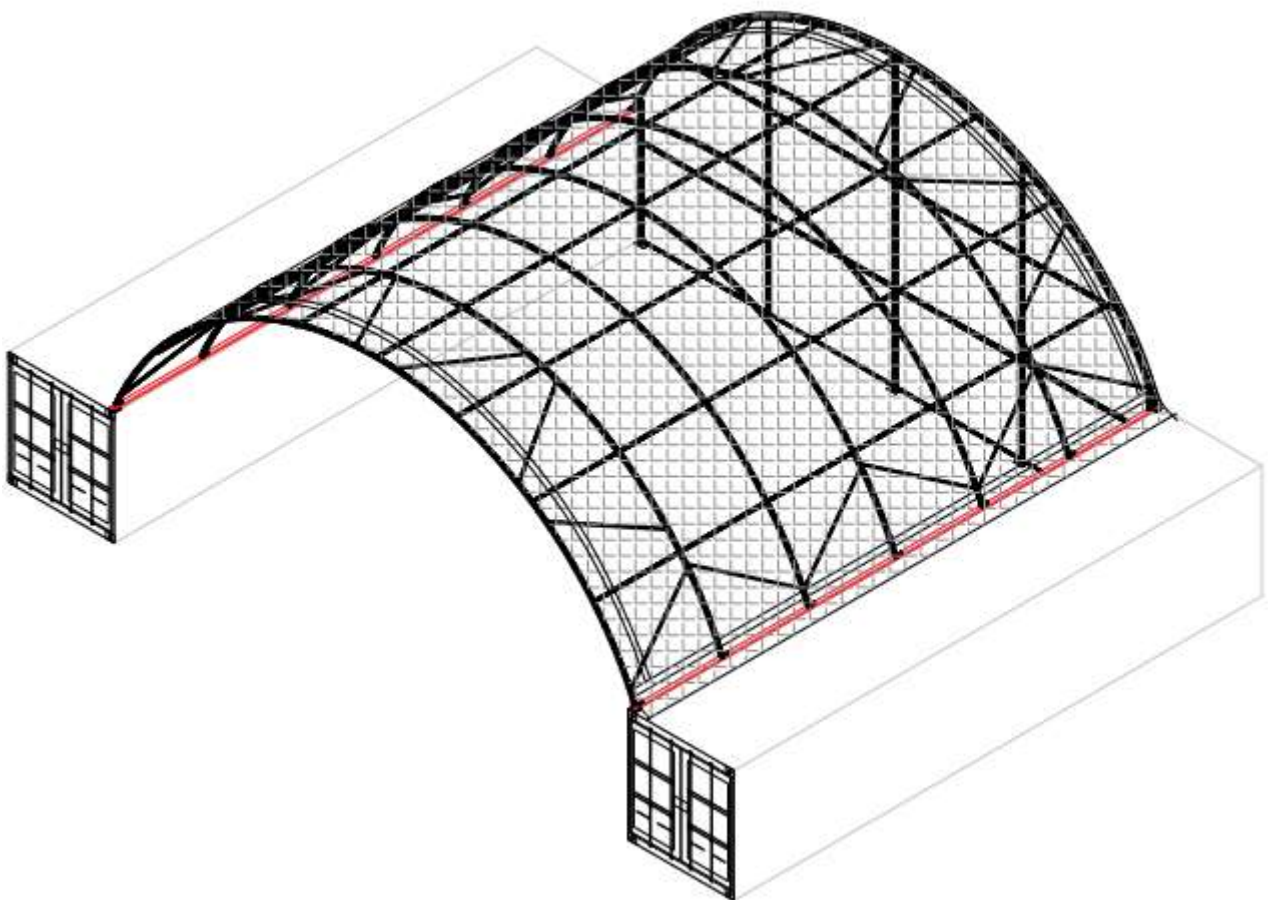
SHELTER

ASSEMBLY MANUAL

Model # L12x W12x H 4m

C404013E Container Shelter Unwelding

With an Enclosed Backwall



SPECIFICATION

Length: 12m Width: 12m Height: 4m

IMPORTANT-----READ MANUALFIRST

Improper site preparation, Assembly and Maintenance may invalidate warranty and cause unnecessary and costly mistake. If you have any questions contact your local dealer.

For User Friendly assembly we have identified each individual component with the part code as indicated in the parts list. Please refer to the part code numbers and drawing to ensure problem free assembly.

It's necessary to tighten the roof fabric enough to avoid "hammocks" on the roof and also re-tighten once or twice again after a few months of use. This is important when assembly in cold weather (autumn and winter) because the fabric is stiff then and when we got the sun and warm weather afterwards it will make the fabric "slack" again and need to be re-tighten before next winter.

It's the owners responsibility to take of snow immediately if not slide off by itself.

READ ALL INSTRUCTIONS BEFORE ASSEMBLY

1. Keep work area clean. Cluttered areas invite injuries. Do not set up near snow drifts, in slippery places, in high winds, or wet location.
2. Keep children away. All children should be kept away from the work area.
3. Don't over reach. Keep proper footing and balance at all times.
4. Do not assemble in under the influence of alcohol or drugs. Read warning labels on prescriptions to determine if your judgment or reflexes are impaired while taking drugs. If there is any doubt, do not assemble.
5. Be aware of possible windy conditions; fasten the bases in concrete if these conditions are likely to occur. Remove the cover during hurricane.
6. Be careful with power and heat sources. Do not keep heat sources near the tarpaulin. Do not expose to open flame.
7. Be aware of personal safety during assembly and use. Be careful not to pinch fingers with clips and tubes when assembling: when using makes sure there is adequate ventilation for exhaust and other dangerous fumes.

C404013E Part List –2m Arch spacing

Part Code		Qty
1	Roof top tube	7
2	Sidewall bent tube	14
3	Bottom bent tube	14
4	Purlin	42
5	Diagonal supporting tube	24
5A	Clip (For NO.5)	55
6	Tensioning tube	10/2 group
7	Iron plate for base plate	4
8A	Left corner bottom square tube	2
8B	Right corner bottom square tube	2
8	Middle bottom square tube	8
9	Connector for fixing square tube	20
10	Iron plate for connecting square tube seat	20
11	Ratchet	14
11A	Tensioning straps	14
12	Ratchet for Four corner	4
13	Base plate for Back wall	3
13A	Side base plate for bac kwall	2
14	Side Standing Leg for back wall	2
14A	Extra tube added when assembly on 40' HQ contianer	5
15	Lower Standing Leg for back wall	3
15A	Middle Standing Leg for back wall	3
16	Upper Standing Leg for back wall	1
16A	Side Upper Standing Leg for back wall	2
17	Horizontal tube for back wall(female head)	6
17A	Horizontal tube for back wall(male head)	6
18	Side Upper Horizontal tube for back wall	2
19	Bottom tensioning tube for back wall(female head)	4
19A	Bottom tensioning tube for back wall(male head)	4
20	Bracket	4
20A	Small Stake Pegs for No.32	8
21	Welding iron plate for No.14	2
22	Welding iron plate for Back wall	4

23	Angle Iron for Back wall	1
24	Stake peg	10
25	Back cover	1
26	Roof cover	1
27	Rope	200m
28	PPR tube	16/ 2 groups
28A	Small ratchet	26
29	Plastic plug	12
30	Plastic square plug	4
31	Carriage Bolt M10x90mm	120
32	Carriage Bolt M12x100mm	57
33	Bolts M10x110	40
34	Carriage Bolt M8x80mm	12
35	Bolt M10x30mm	7

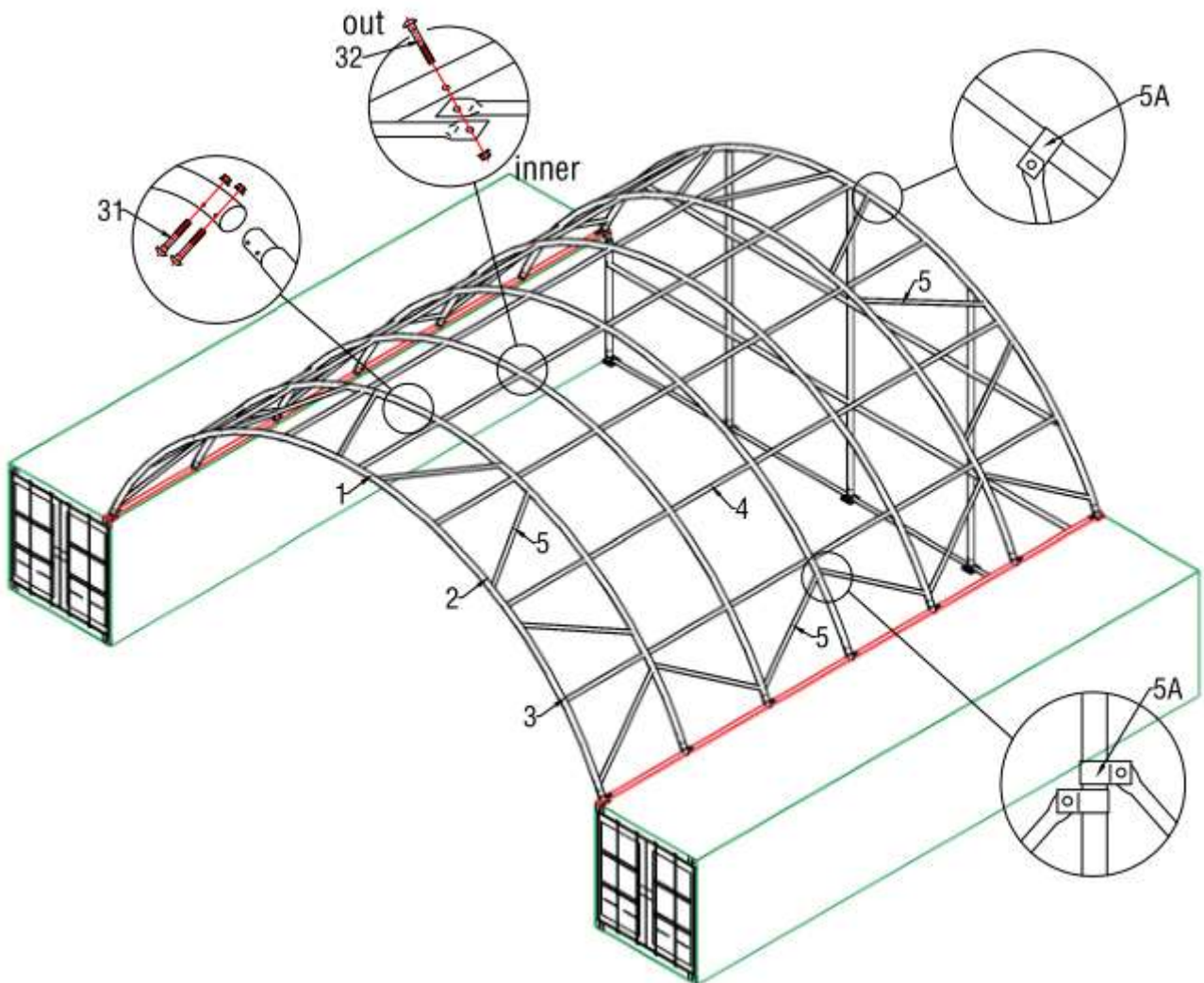


Figure 1

EQUIPMENT AND TOOLS FOR INSTALLATION

1. Measuring tape
2. String for alignment
3. Step ladder
4. Welder
5. Sledge hammer
6. Wrench
7. Scissors

INSTALLATION PROCESS

A—BASE INSTALLATION

Please refer to the diagram (Figure 2) to place the base plates. UNIT: m

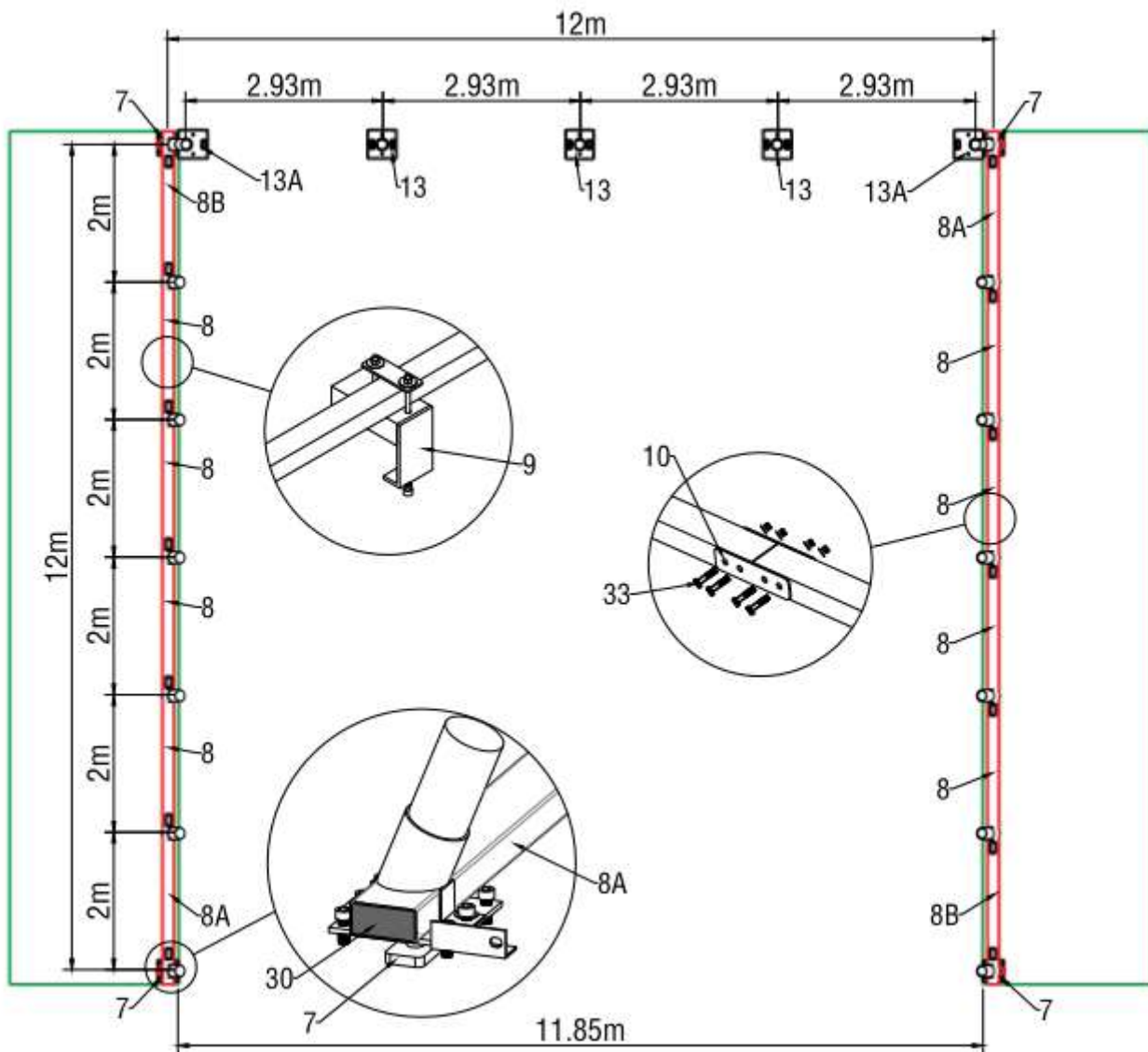


Figure 2

The measure is from center to center of the tubes. Referring to the above diagram and confirm the place of the base plates. ENSURE THAT THE FOUNDATIONS IS SQUARE.

B—ROOF FRAME INSTALLATION

1. As Figure 3 shown to find the first group of front door arch frame ,one piece of Roof top tube(No. 1), two pieces of sidewall bent tube(No.2),two pieces of shoulder bent tube(No.3)and two pieces of bottom bent tube(No.4). Then connect them from by using Part (No.31) Bolt M10x90mm. It is the first group arch frame.

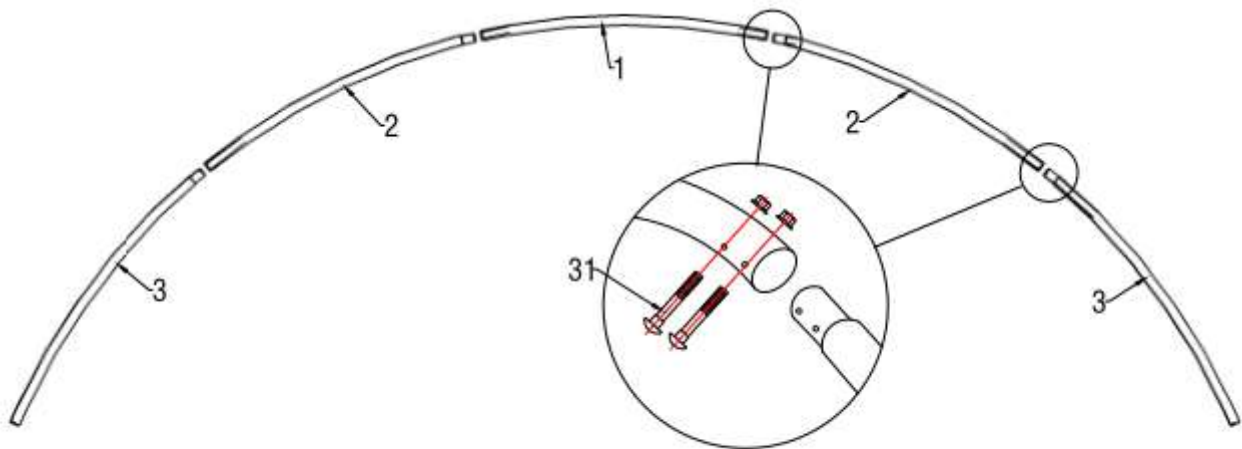


Figure 3

2. Put the first group to insert the base plates as the Figure 4 bellow.

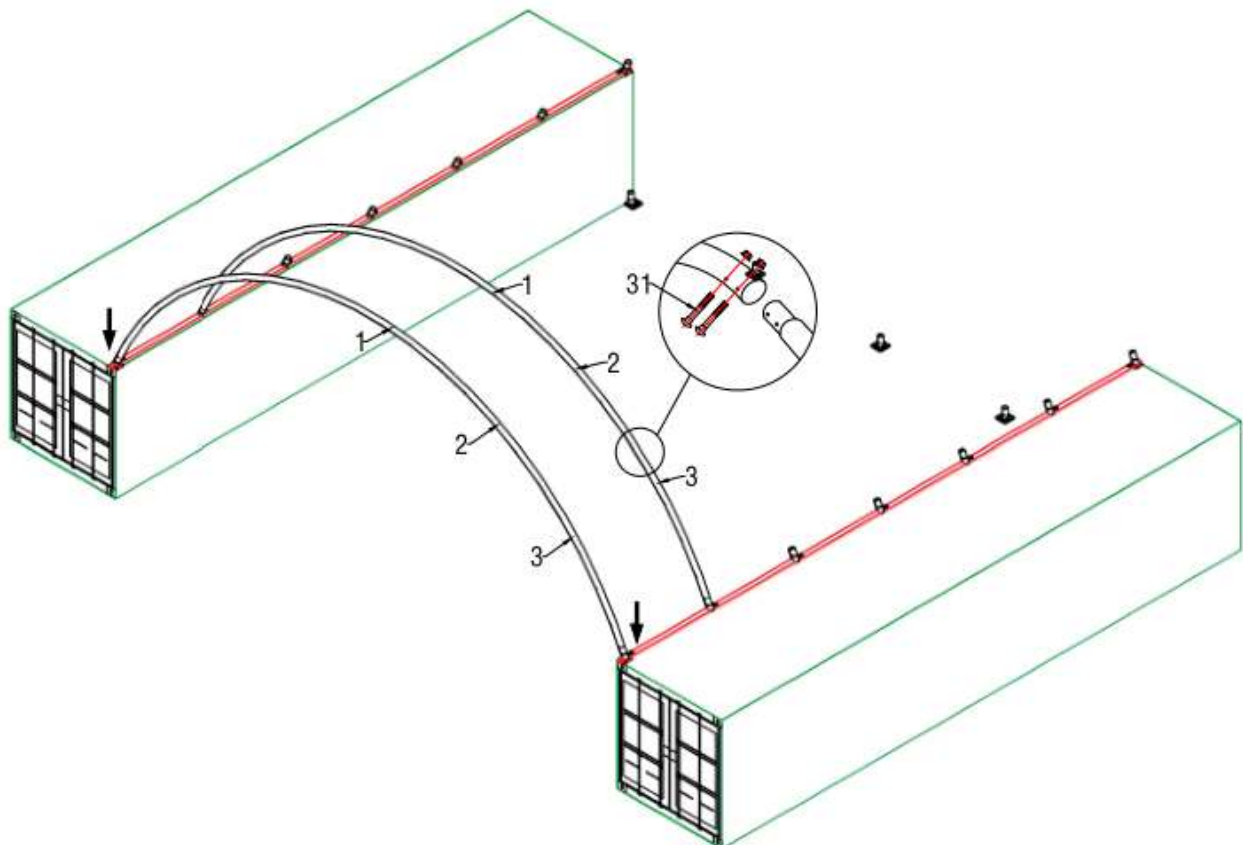


Figure 4

3. By turns, fix the second group of arch frame like this step.After putting and fixing the second group of arch frame into plates, connect the purlin(No.5) onto them by using bolt M12x110 (NO.32) . Connecting purlins for roof frame like the Figure 5 as below. By turns, install all other groups of arch frame.

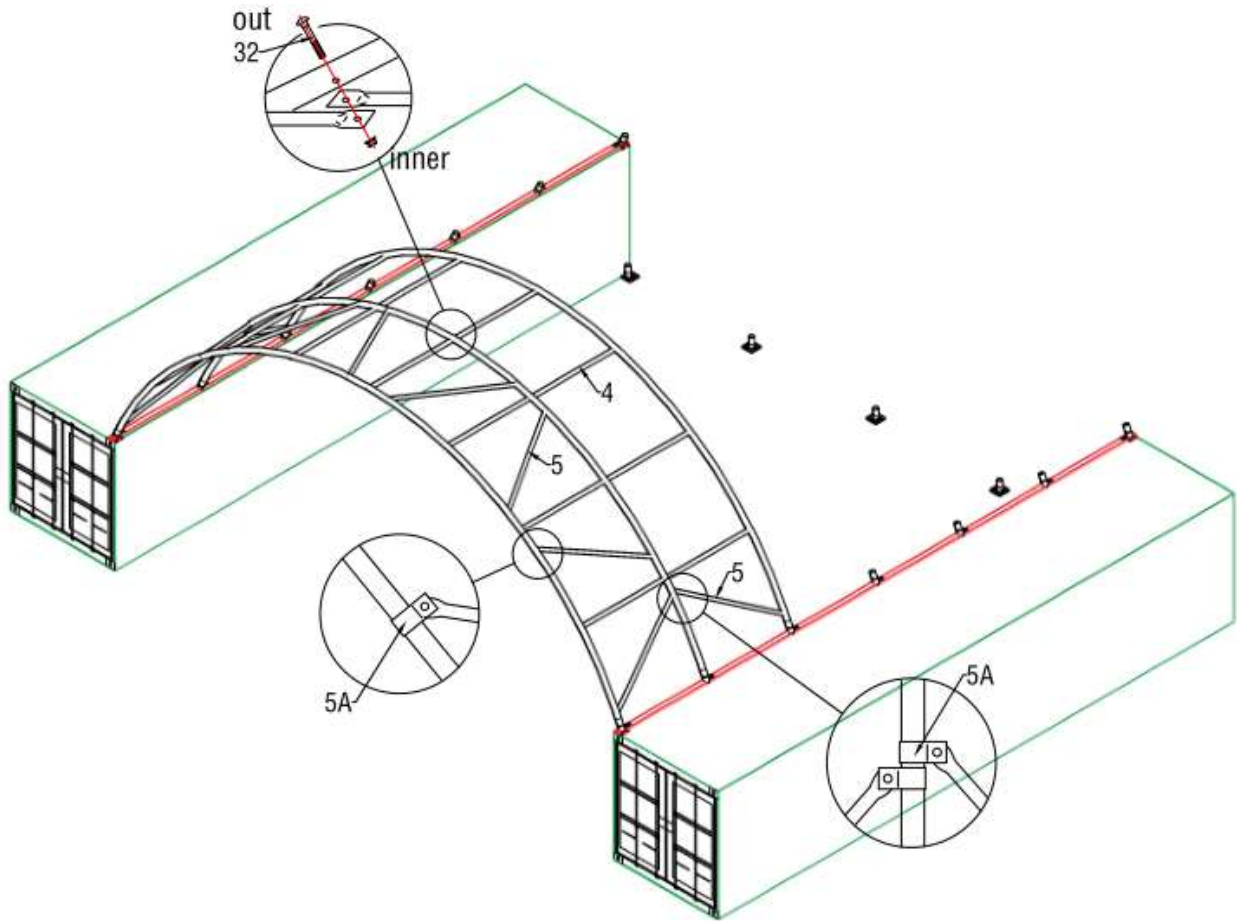


Figure 5

Note: THE ARCHED WILL BE A LITTLE WIDER THAN THE BASE PLATES.

C—INSTRUCTION BACK FRAME & COVER

Please install the back frame follow the Figure 6 and Figure 7 .

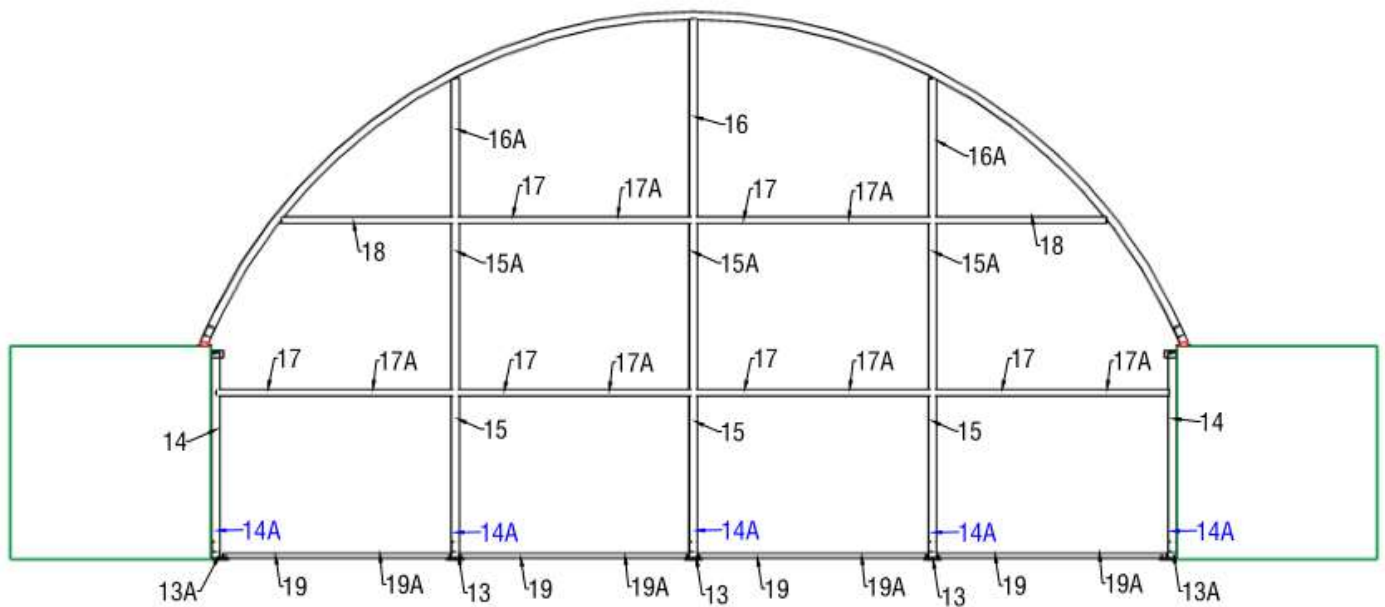


Figure 6

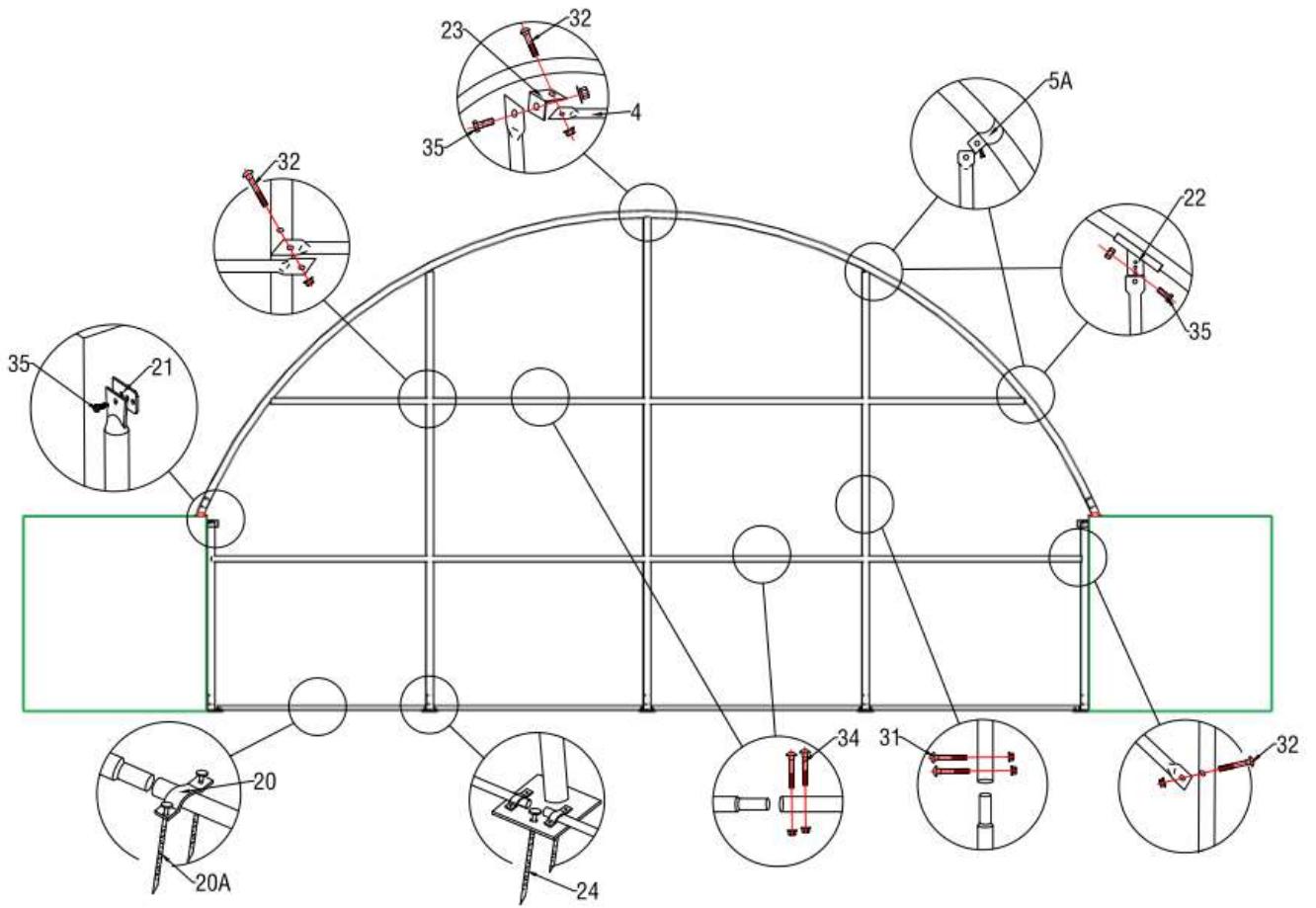


Figure 7

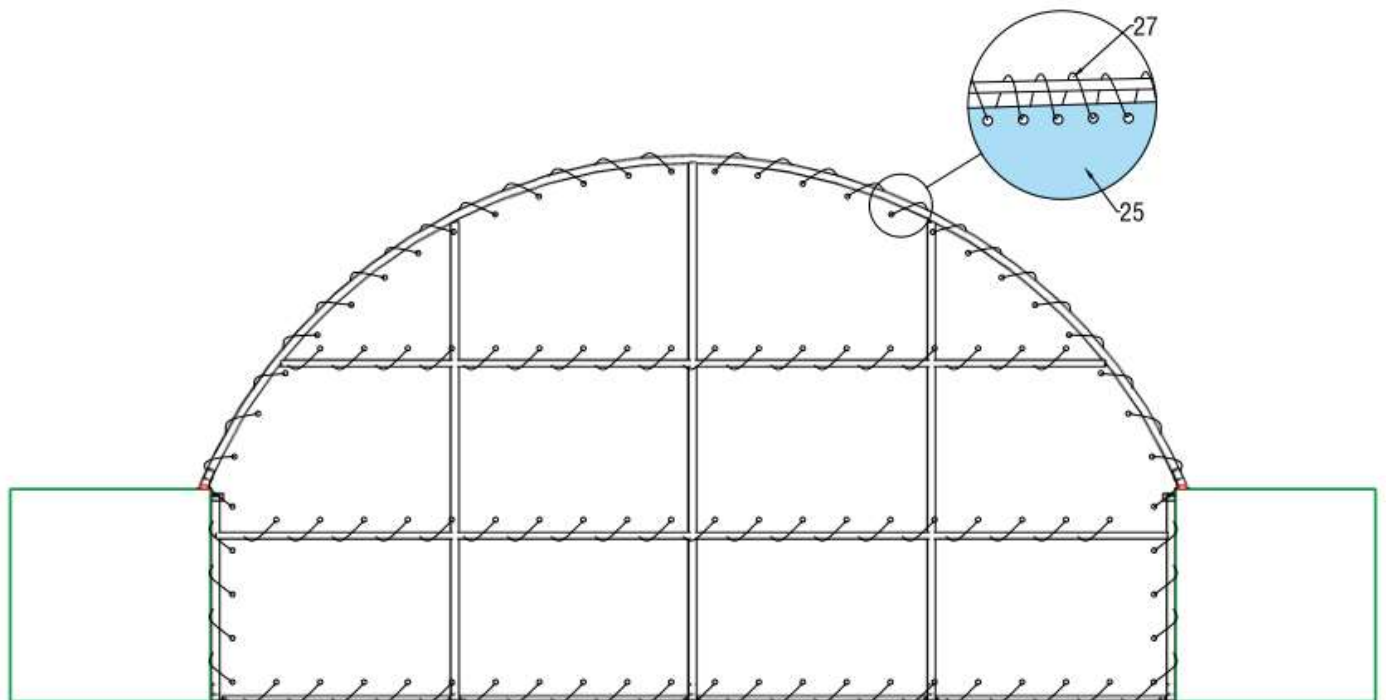


Figure 8

Please install the back cover follow the Figure 8, Put on the back cover (NO.25)and fix it by using rope (NO. 27).

D—INSTRUCTION THE ROOF COVER

NOTE: DO NOT install the cover onto the frame of your building in high wind conditions. A slight breeze is the most advantageous for cover installation. To take advantage of the breeze, pull the cover up over the arches with breeze blowing in the cover like a sail filled with air.

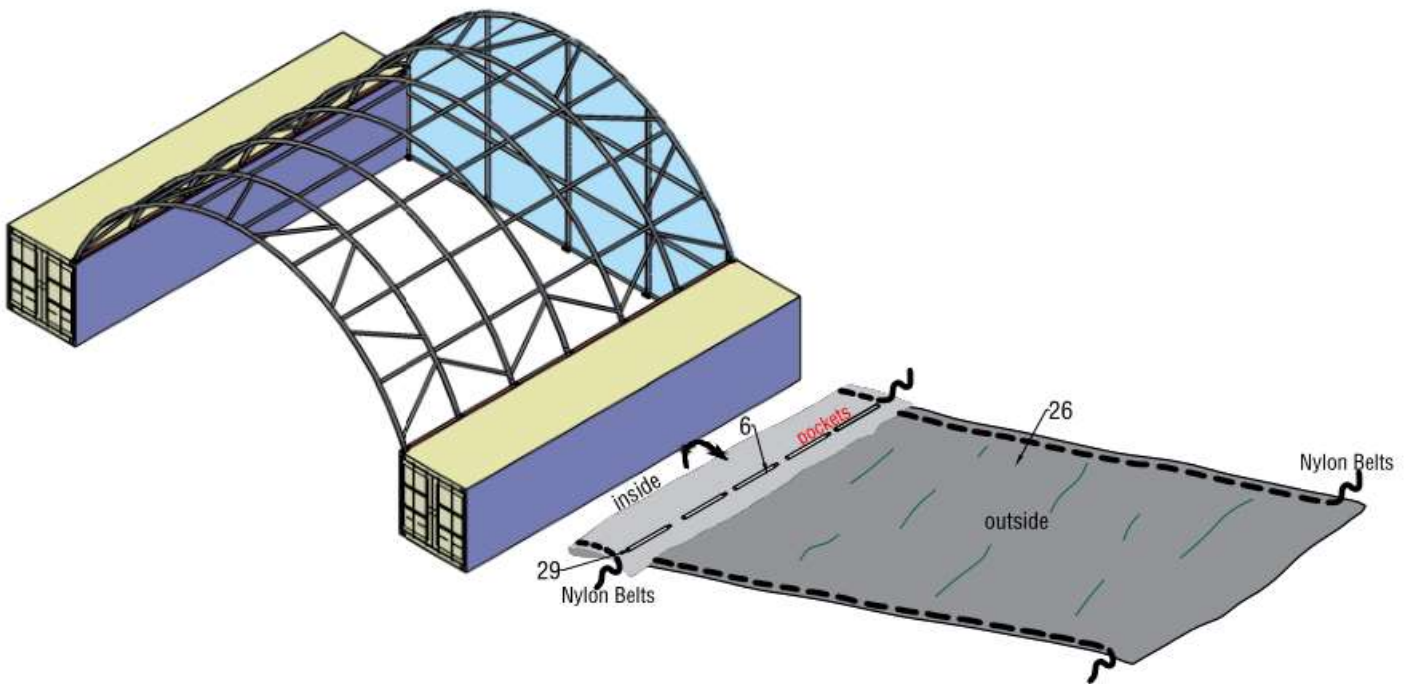


Figure 9

1. The tensioning tube (No.6) should be inset into both ends of Roof Cover.

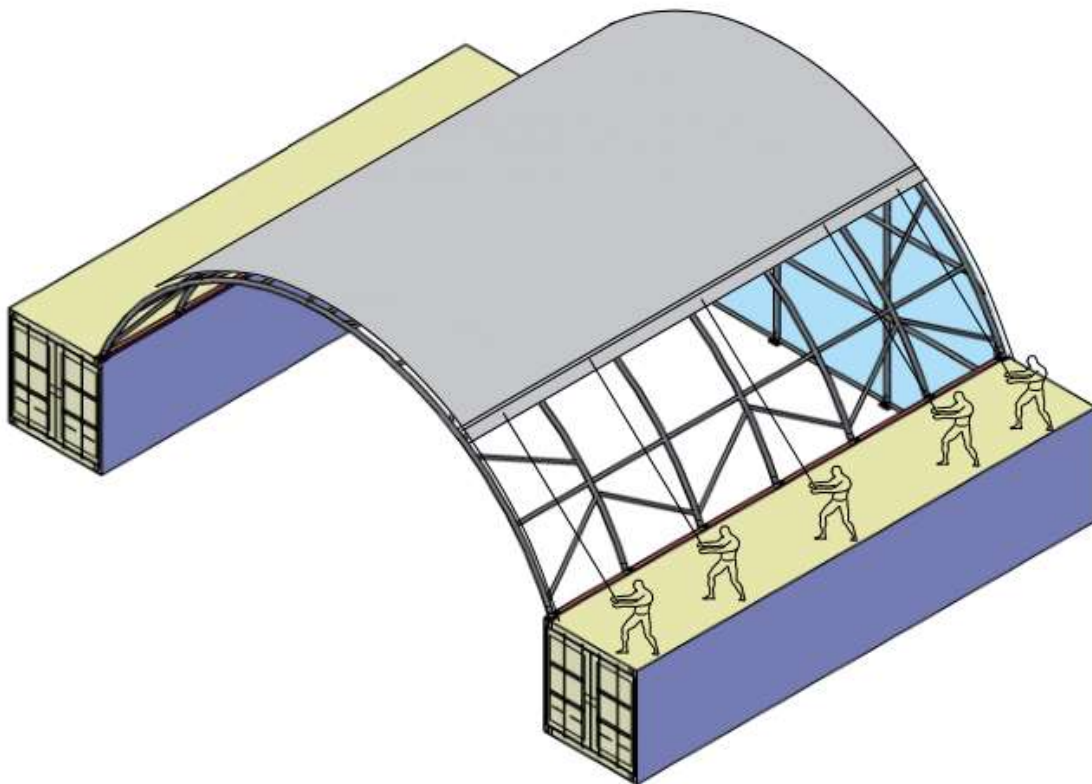


Figure 10

2. Firstly put the Roof cover(NO. 26) EVENLY, CAREFULLY AND SLOWLY on the frame. Adjust the cover so that it is square and evenly centered on the frame.

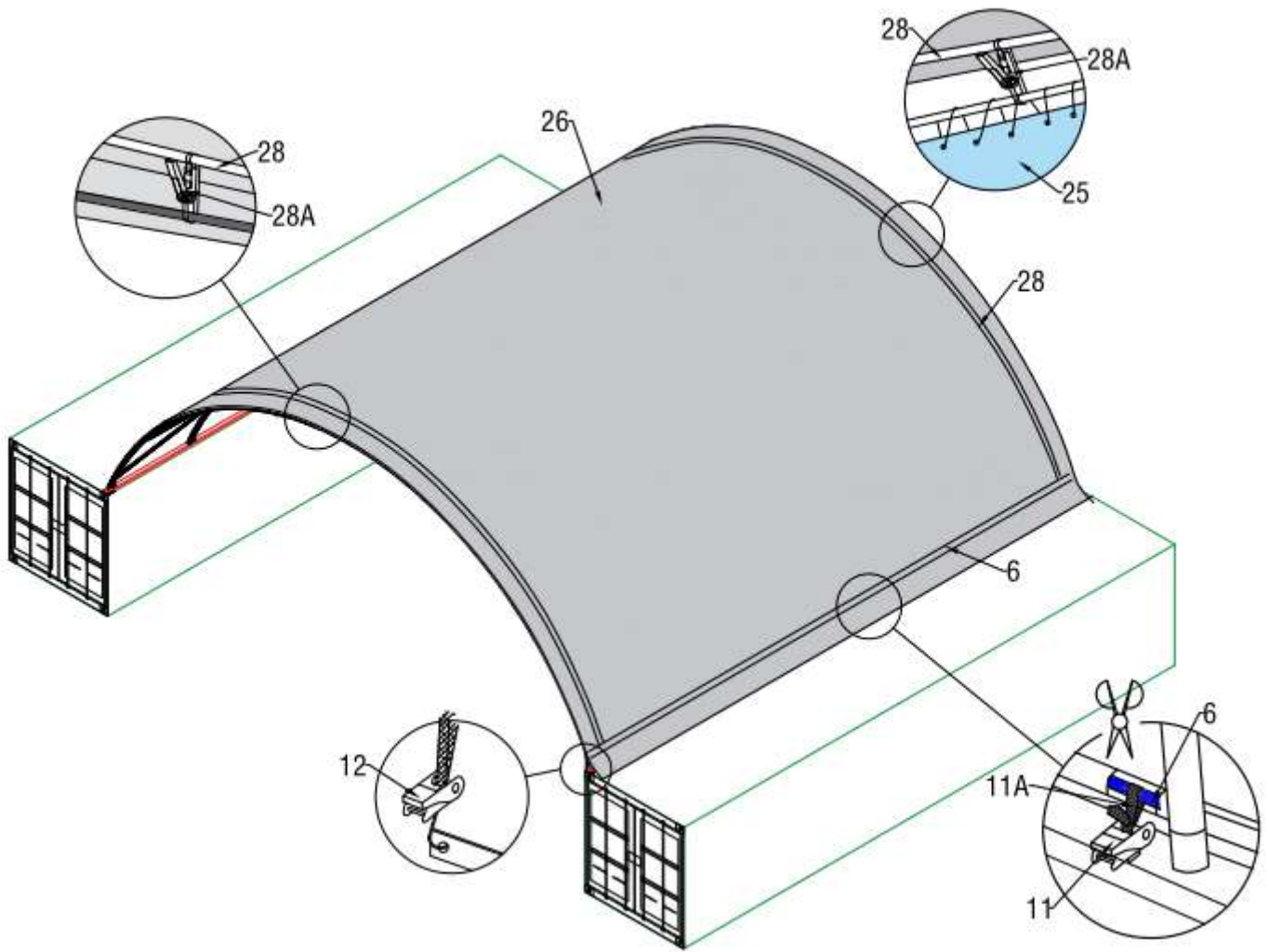


Figure 11

3. Cut some pockets over the Ratchet (No.11) on the the base plates and use Tensioning Straps (NO. 11A) to tie down the tensioning tube(No.6) like the Figure 11. Finally install the Plastic Plug for base rail section into two ends of the tension tubes.Finally knit them using rope as the figure above.

NOTE: DO NOT LEAVE THE ROOF COVER UNATTACHED UNDER ANY

CIRCUMSTANCES until the final assembly and tightening has been completed.

The process is quite easy. But some tightening adjustments will be necessary to produce a flat, tension roof cover. Please adjust the roof cover every month.