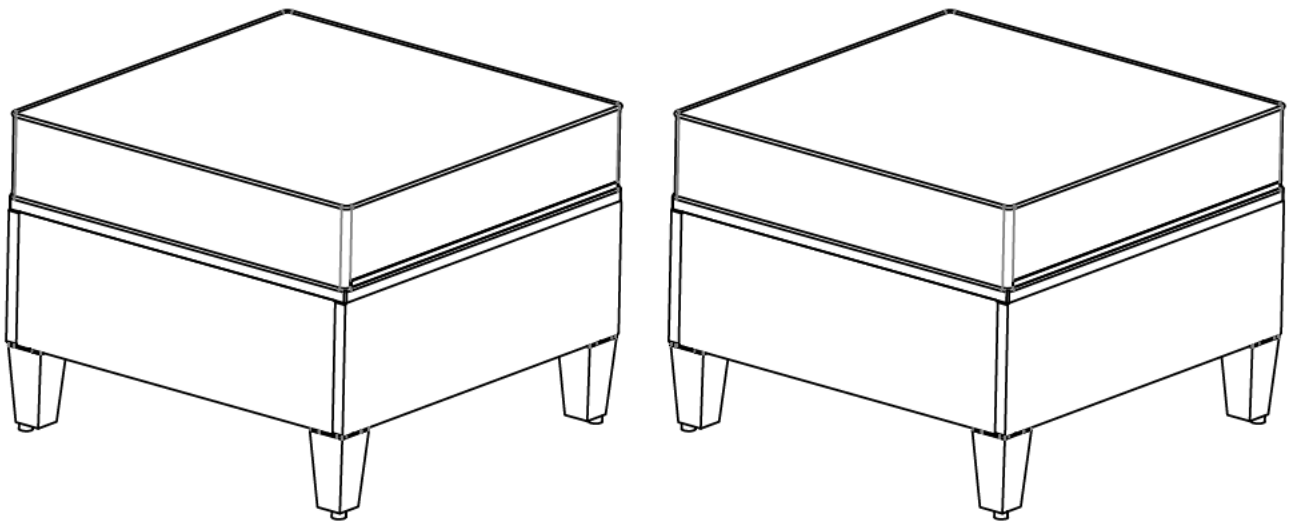


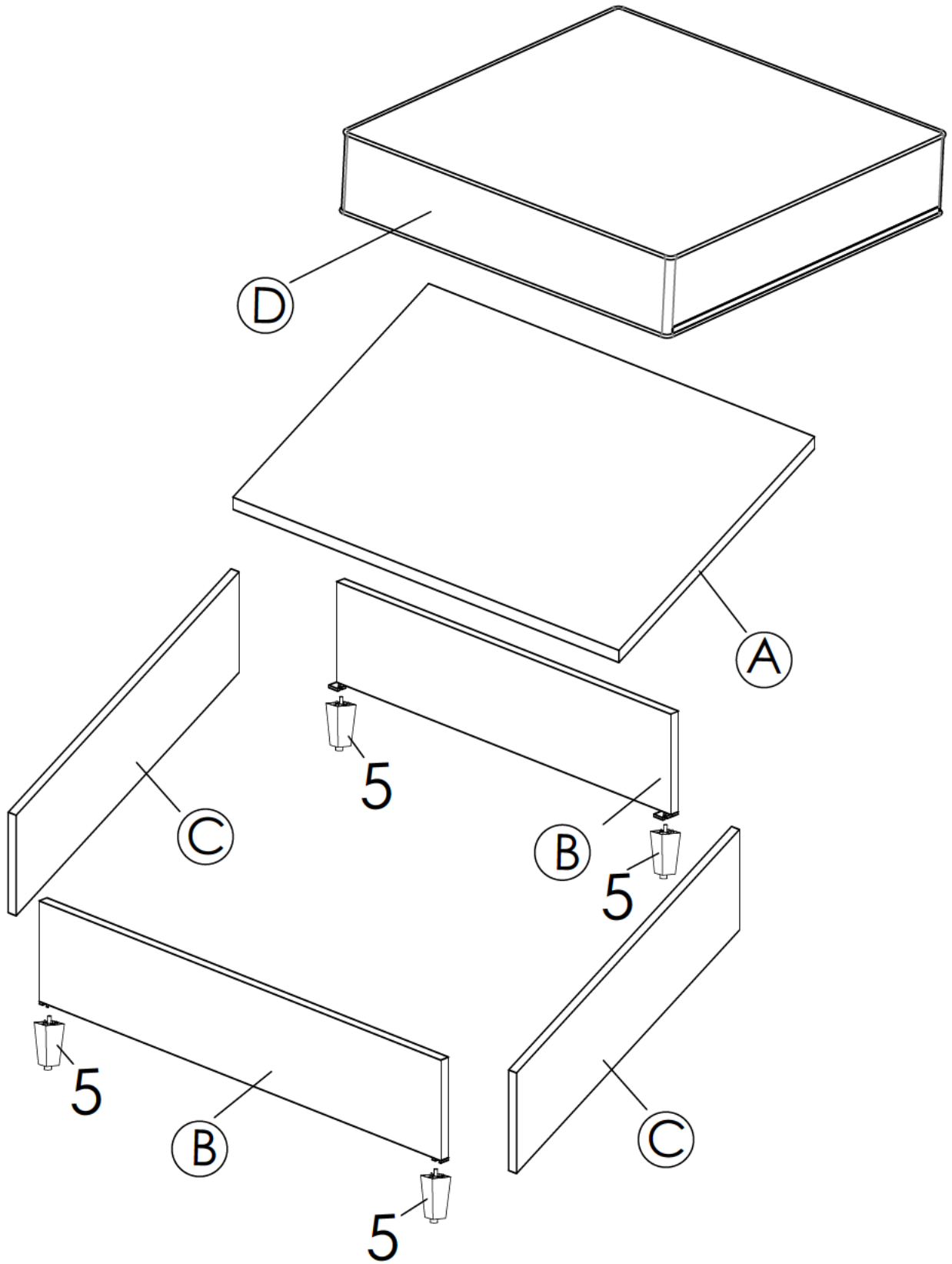
Assembly Manual

Ottoman



Please read this manual carefully before any operation and keep it properly for future use.

Exploded View



Components List

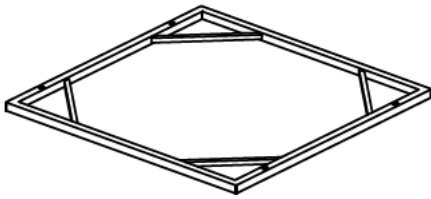
30 min

Assembly Time



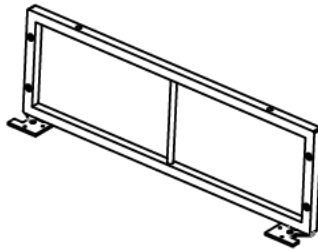
Two People

A



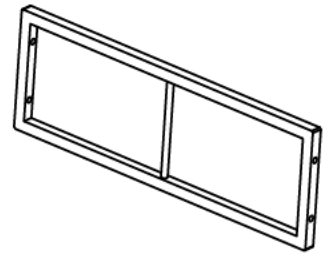
Seat (X2)

B



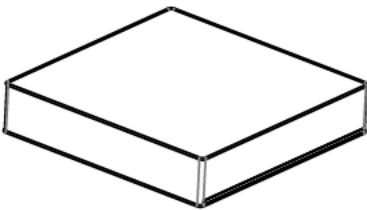
Leg Frame1 (X4)

C








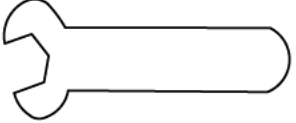
Leg Frame2 (X4)

D



Seat Cushion (X2)

Components list

1			2			3		
								
Bolt	M6x30	24+2	Washer	M6	24+2	Nut	M8	8+1
4			5			6		
								
Allen wrench	M6	1	Foot		8	wrench	M8	1

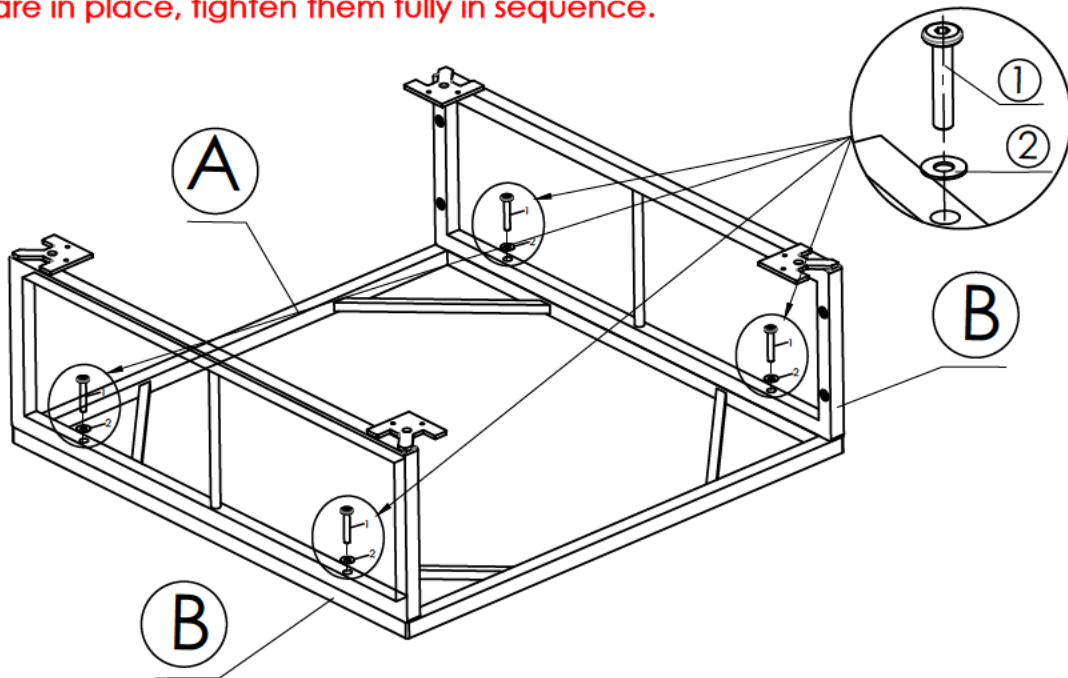
Note: The qty after "+" sign indicates the extra piece(s).

Assembly Instruction

STEP 1

Attach leg frame1 (B) to seat frame(A) using washers(2),bolts(1)and wrench(4).

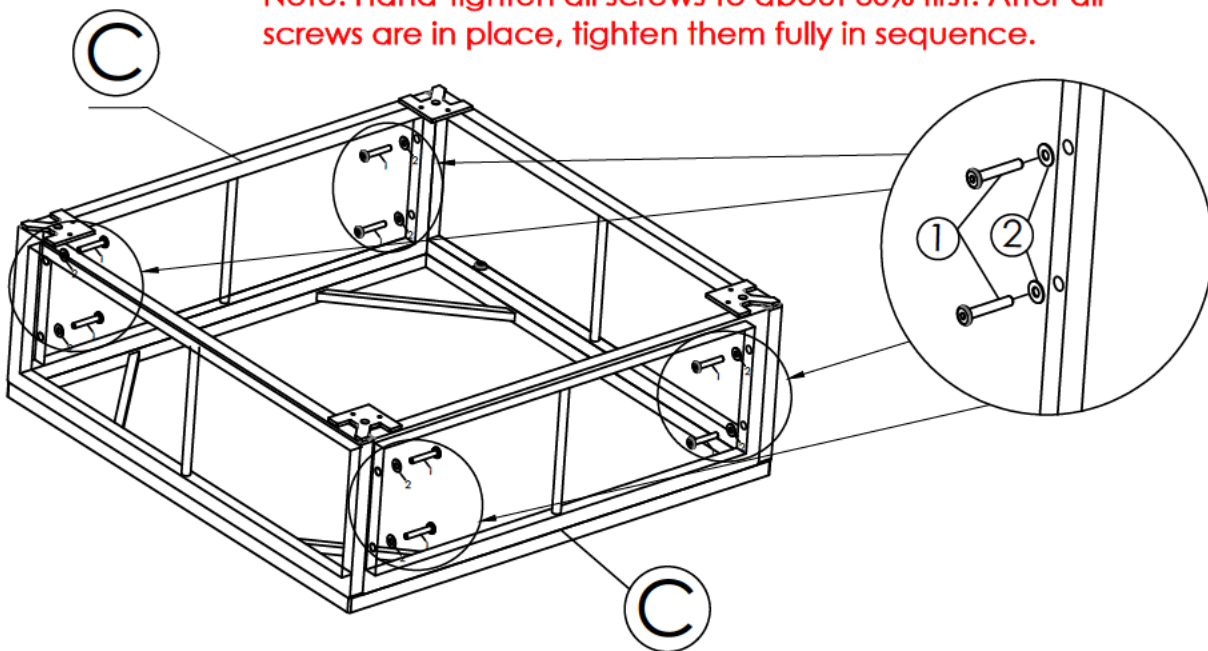
Note: Hand-tighten all screws to about 80% first. After all screws are in place, tighten them fully in sequence.



STEP 2

Attach leg frame2 (C) to seat frame(A) using washers(2),bolts(1)and wrench(4).

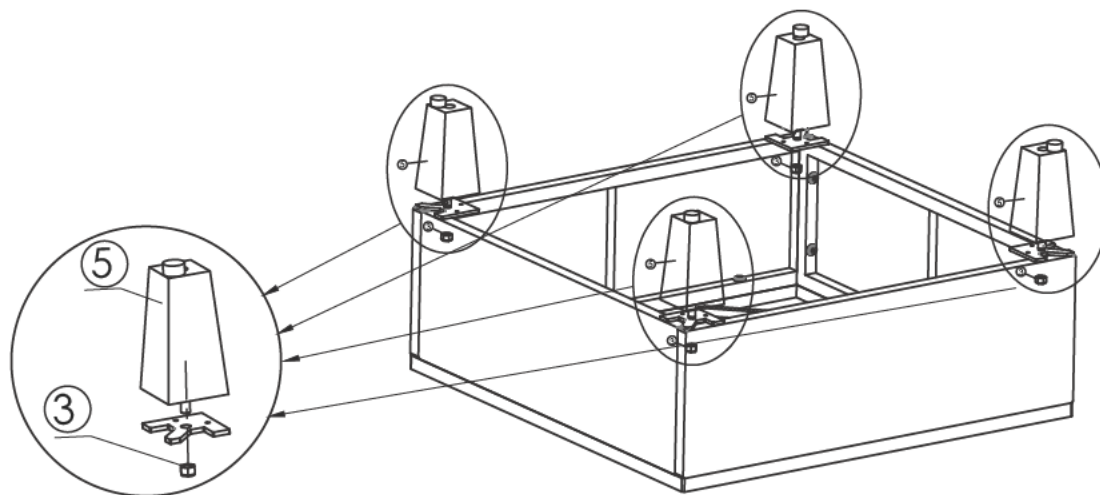
Note: Hand-tighten all screws to about 80% first. After all screws are in place, tighten them fully in sequence.



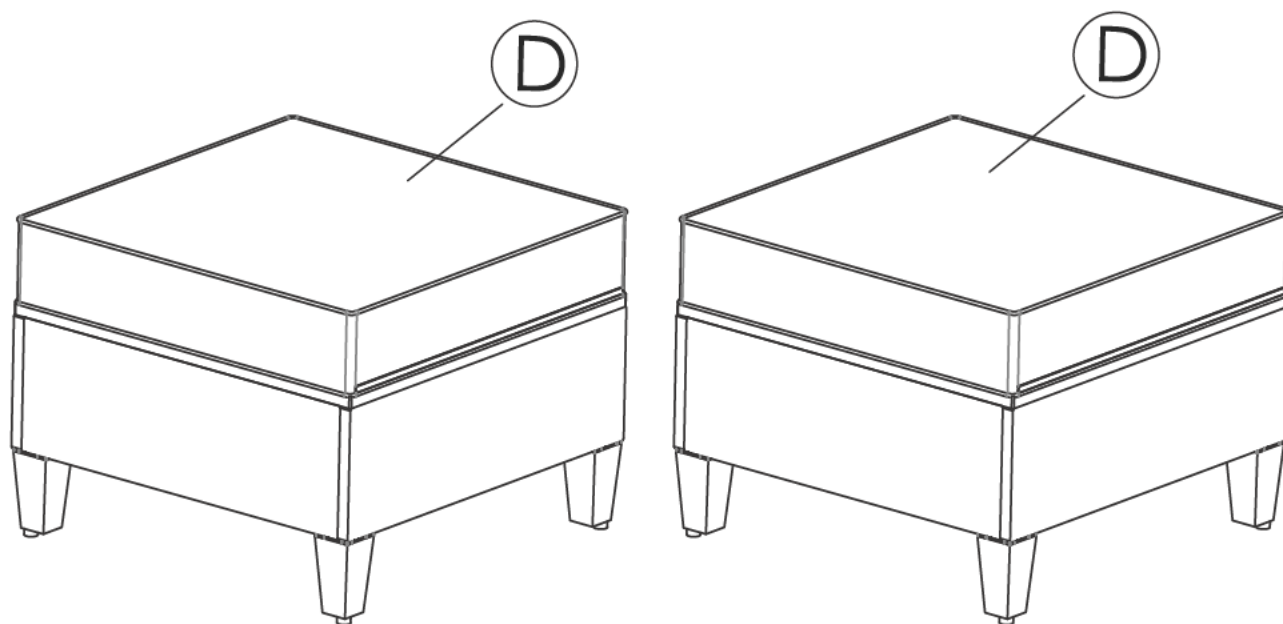
Assembly Instruction

STEP 3

Attach feet(5) using bolts(3) and wrench (6).



STEP 4



X2

