

Assembly Instructions

Thank you for purchasing our
product

Are you happy with your purchase?

Yes: That's great, we would love to hear more from you. Please leave us a review. Your feedback will be greatly appreciated.

No: If for any reason there is something missing, indifferent or incorrect with your order, please contact the retailer that you purchased your item from.

Please note that this items build time is around **30** minutes with **2** man build

ASSEMBLY INSTRUCTIONS SMALL TV UNIT

IMPORTANT: READ THESE INSTRUCTIONS CAREFULLY BEFORE ASSEMBLING OR USING SMALL TV UNIT

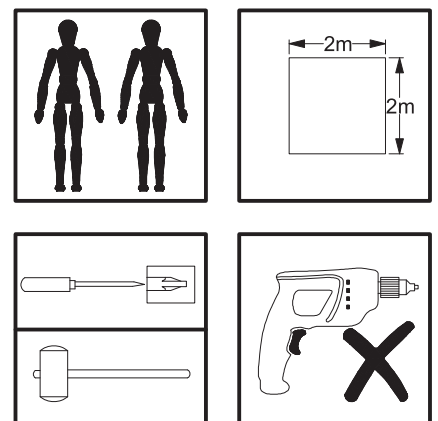
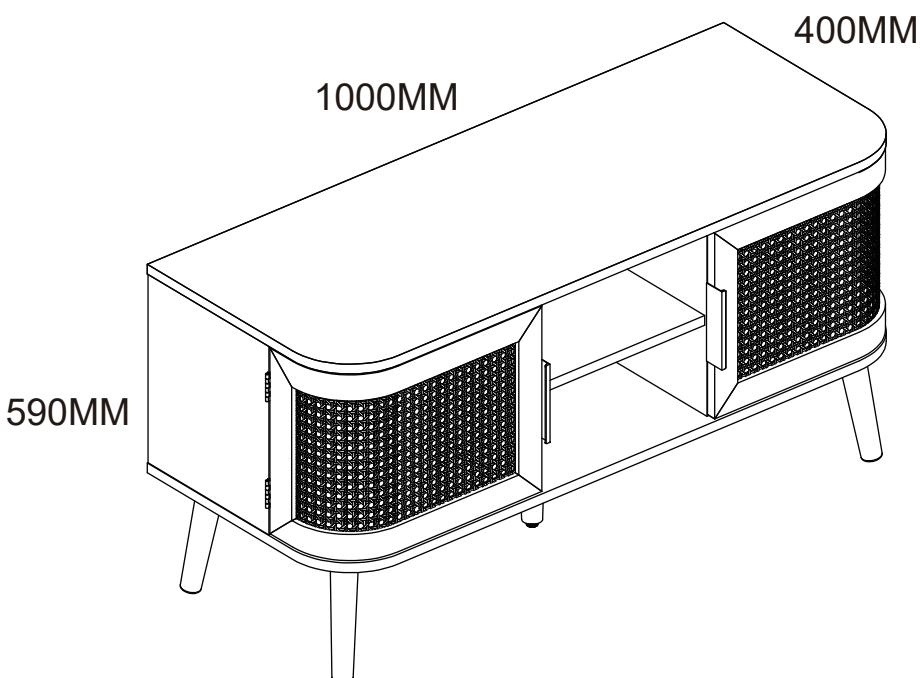
PLEASE KEEP THESE INSTRUCTIONS FOR FUTURE REFERENCE.

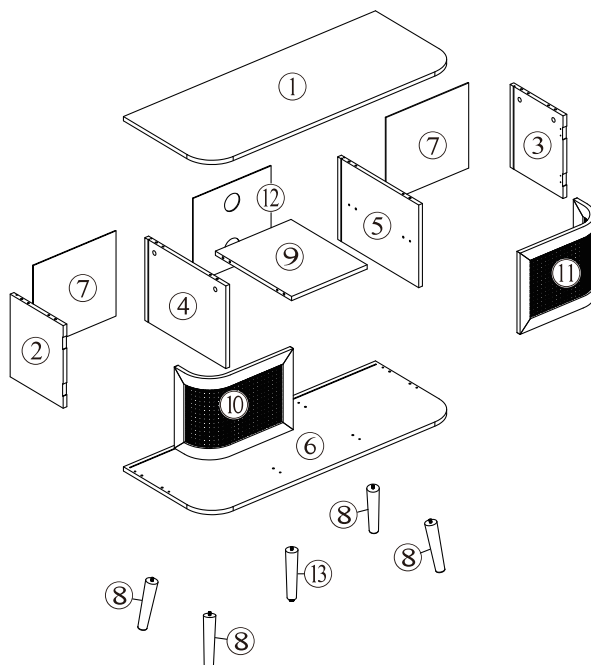
HEALTH & SAFETY:














DO NOT use this item if any parts are missing, damaged or worn.
DO NOT use this item unless all fixings are secured.
Please keep small parts out of reach of children
Always use on a level, even surface.

CARE & MAINTENANCE:

Assemble in the room of use
Assembly should be carried out with this item laying flat, not standing upright.
Assemble on a soft, clean surface to prevent damages.
To remove the printed numbers on the pieces, use the eraser provided
Periodically check all screws & fixings to ensure they are secure.
DO NOT push the item as this will damage the base.
Always lift the item with two people to reposition.
Keep any sharp objects away from the item.





Parts List				Hardware List		
Part	Description	Box	Qty	Part	Description	Qty
1	Cabinet Top	1	1	A	Wooden Dowel M6X30MM 	20
2	Left Side Panel	1	1	B	Cam Bolt M6X35MM 	12
3	Right Side Panel	1	1	C	Cam Lock 15X10MM 	12
4	Left Slide Support Panel	1	1	D	Screw M4X35MM 	8
5	Right Slide Support Panel	1	1	E	Screw M4X12MM 	20
6	Bottom Panel	1	1	F	Metal 	4
7	Back Side Panel	1	2	G	Plastic Corner Support 	12
8	Feet	1	4	H	Screw M3X12MM 	24
9	Shelf	1	1	I	Screw M3X14MM 	16
10	Left Door	1	1	J	Magnetic Door Catcher 	2
11	Right Door	1	1	K	Metal Door Plate 	2
12	Back Middle Panel	1	1	L	Hinge 	4
13	Middle foot	1	1	M	Handle 	2

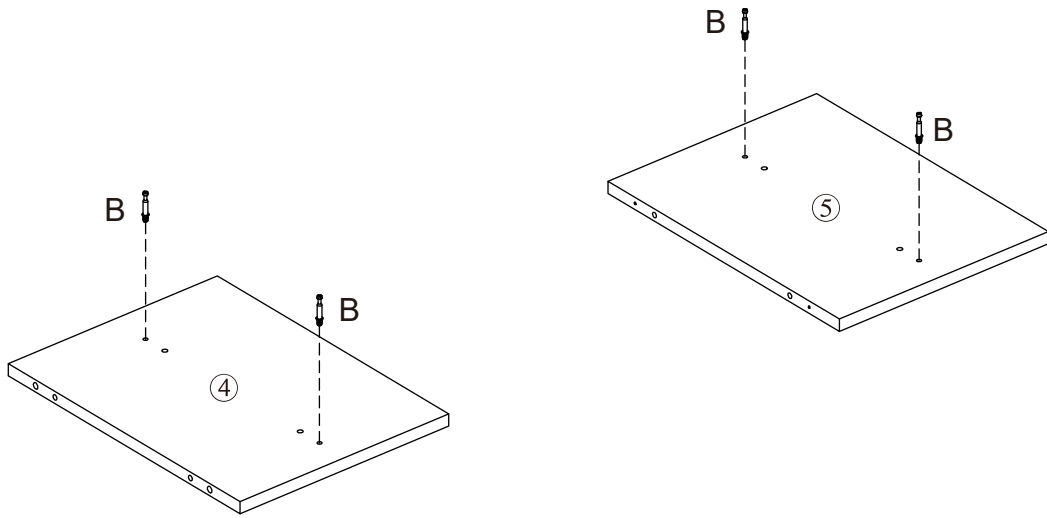
**** You will need a small mallet and a screwdriver for assembly.**

**** Some screws and wooden dowel may remain.**



Step 1

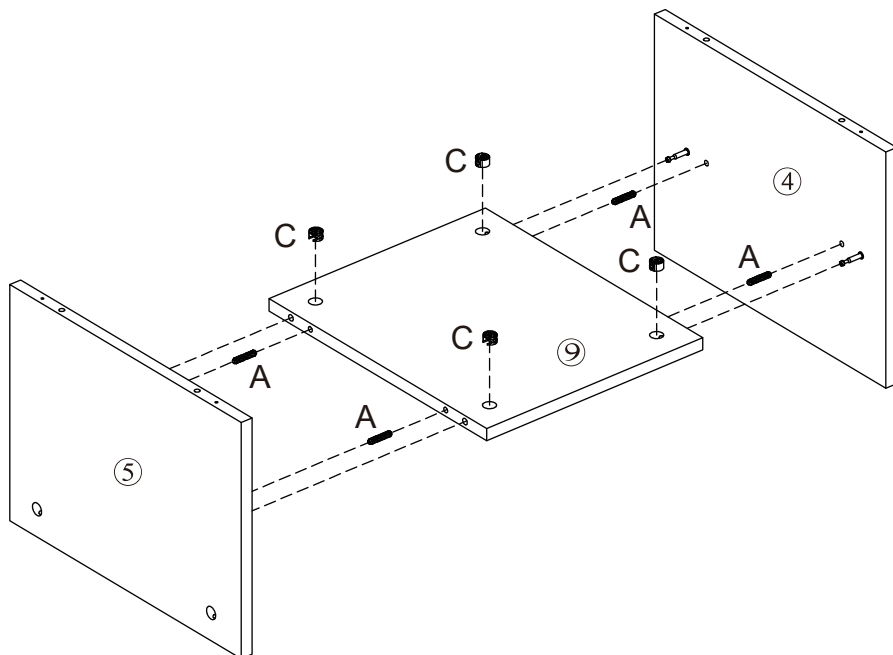
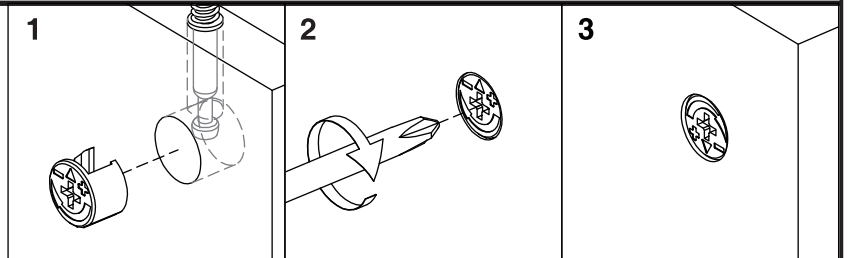
B x 4



Step 2

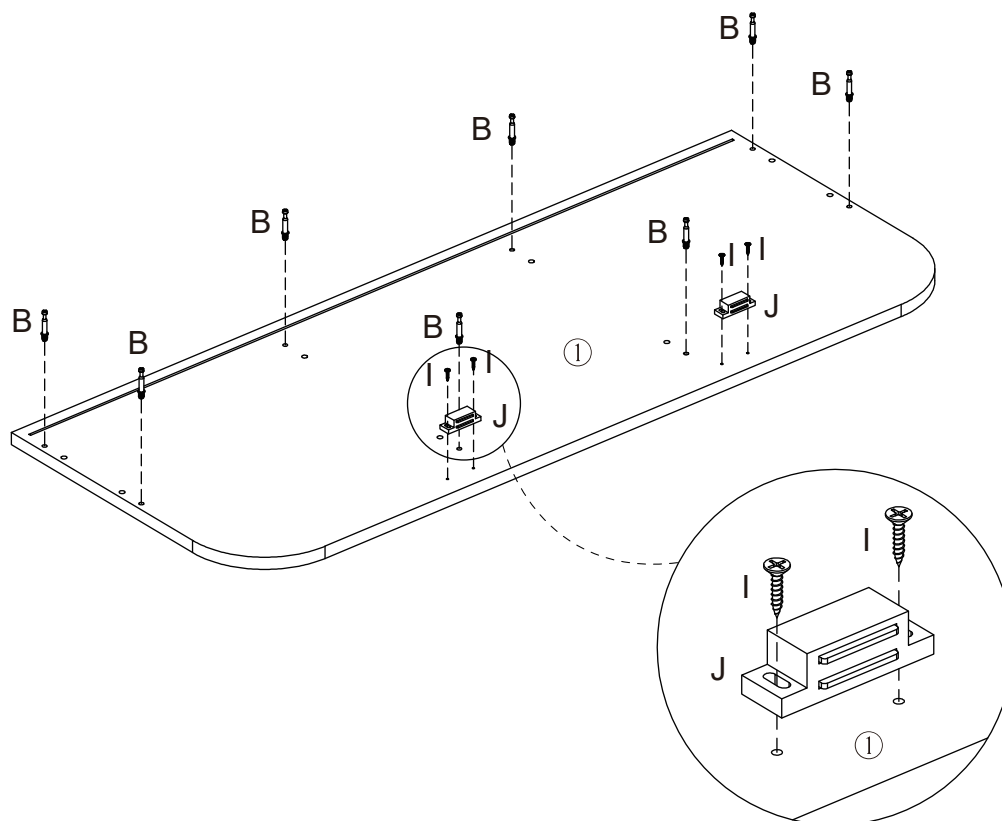
A x 4

C x 4



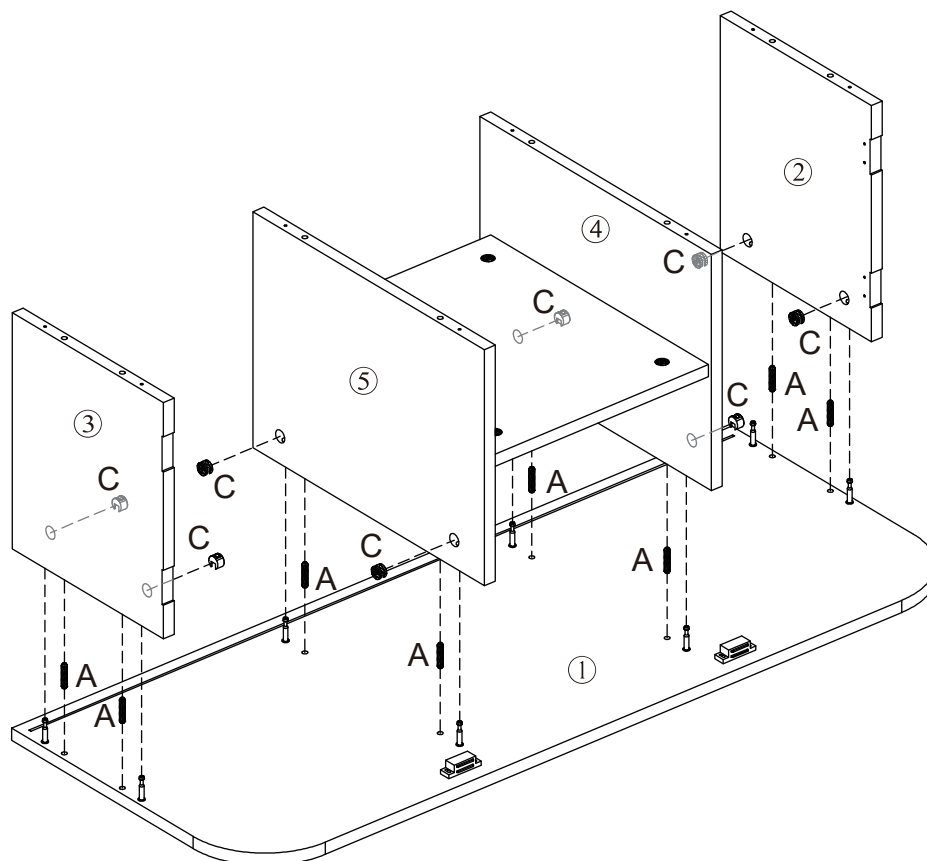
Step 3

B x 8
I x 4
J x 2

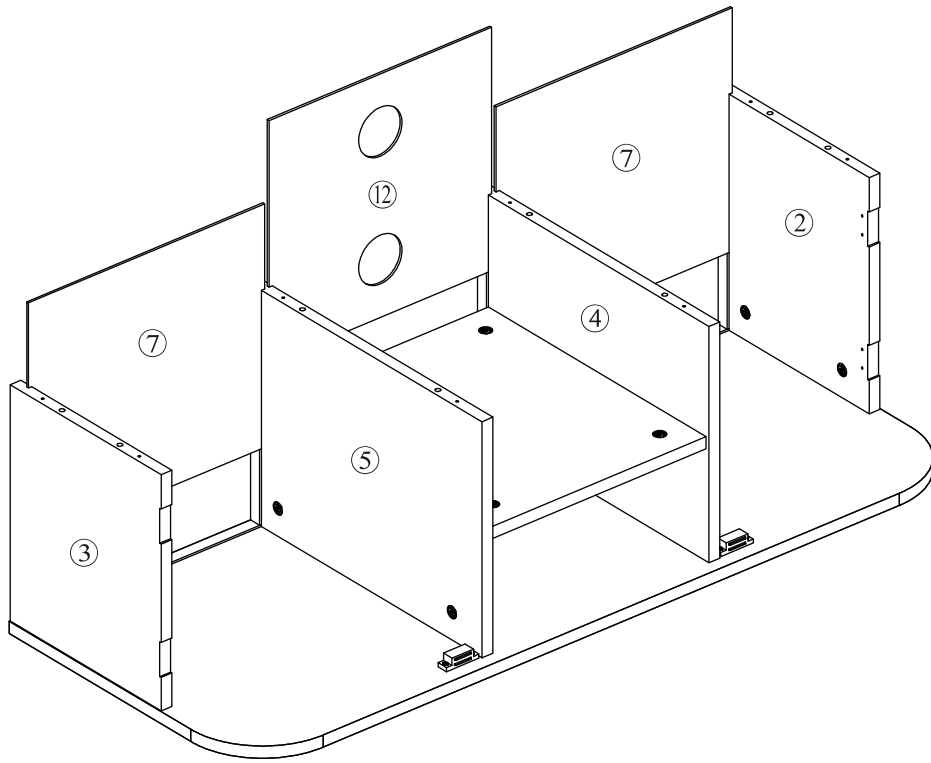


Step 4

A x 8
C x 8

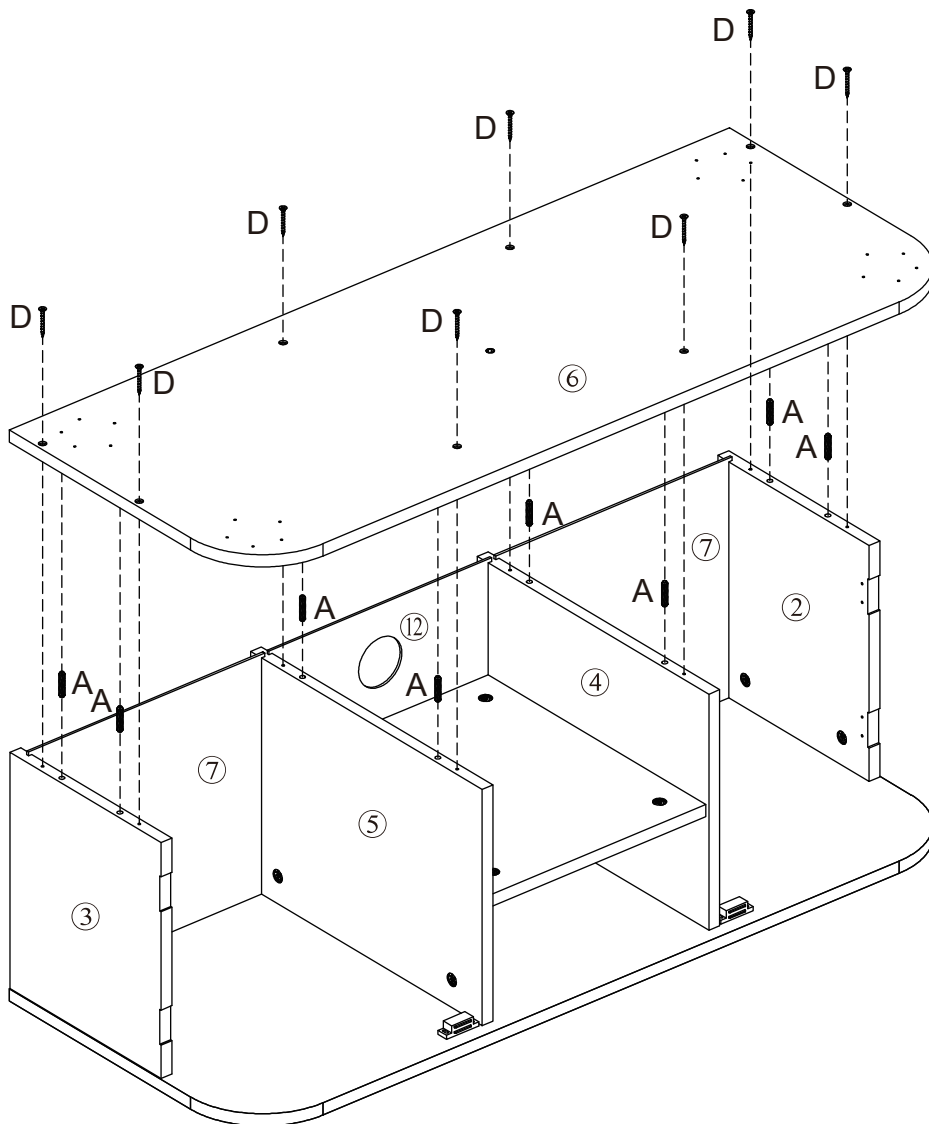


Step 5



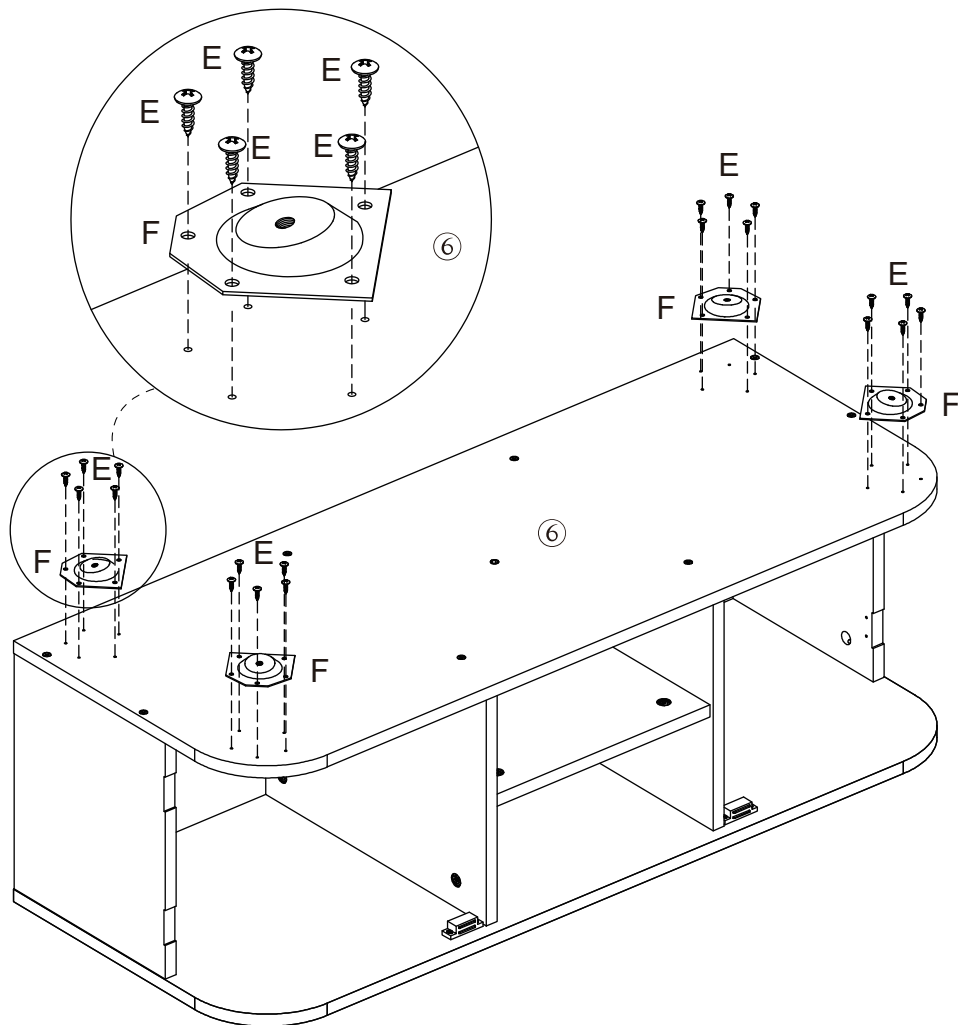
Step 6

A x 8
D x 8

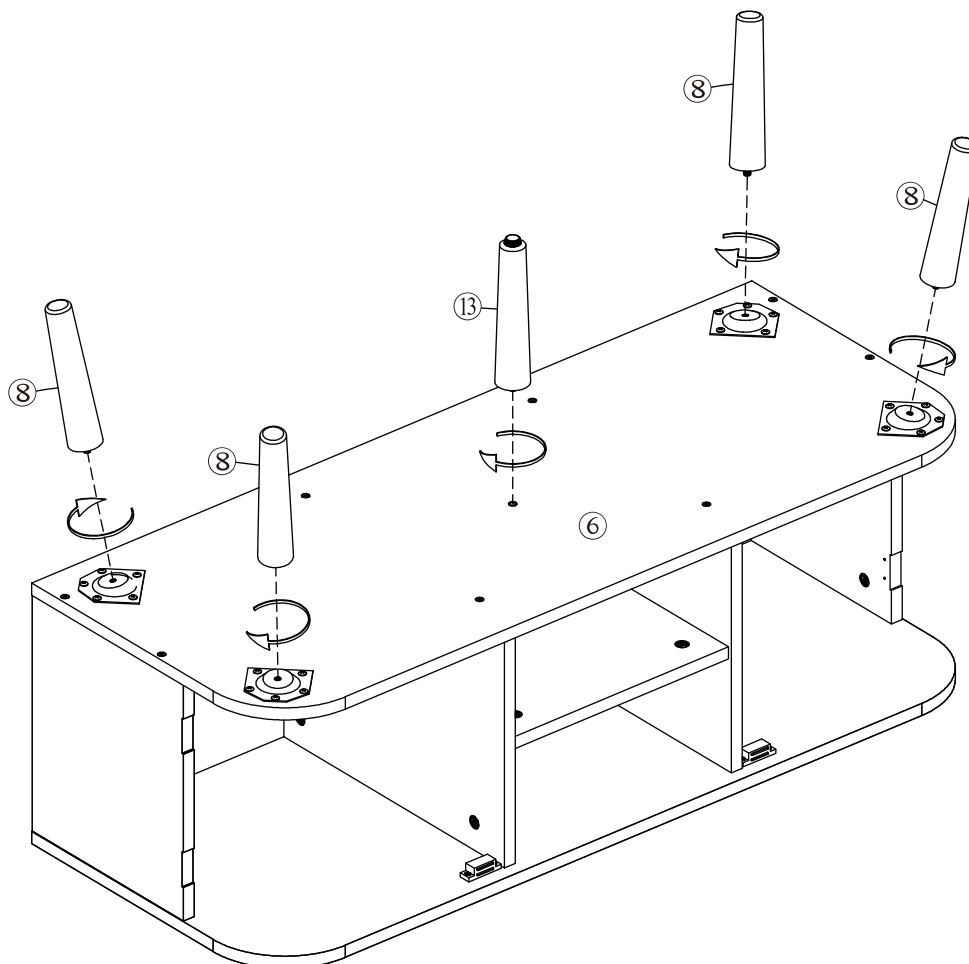


Step 7

E x 20
F x 4

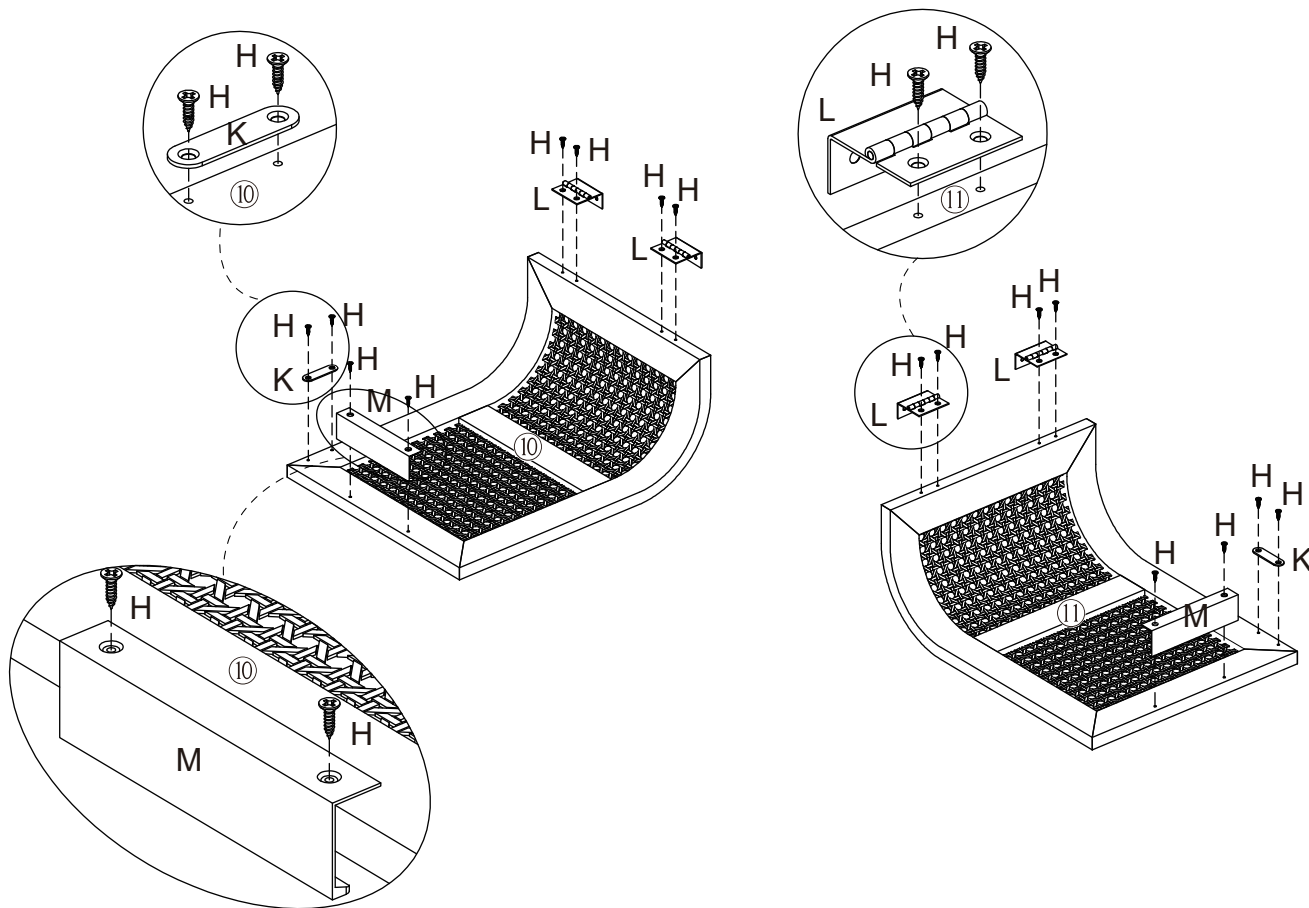


Step 8



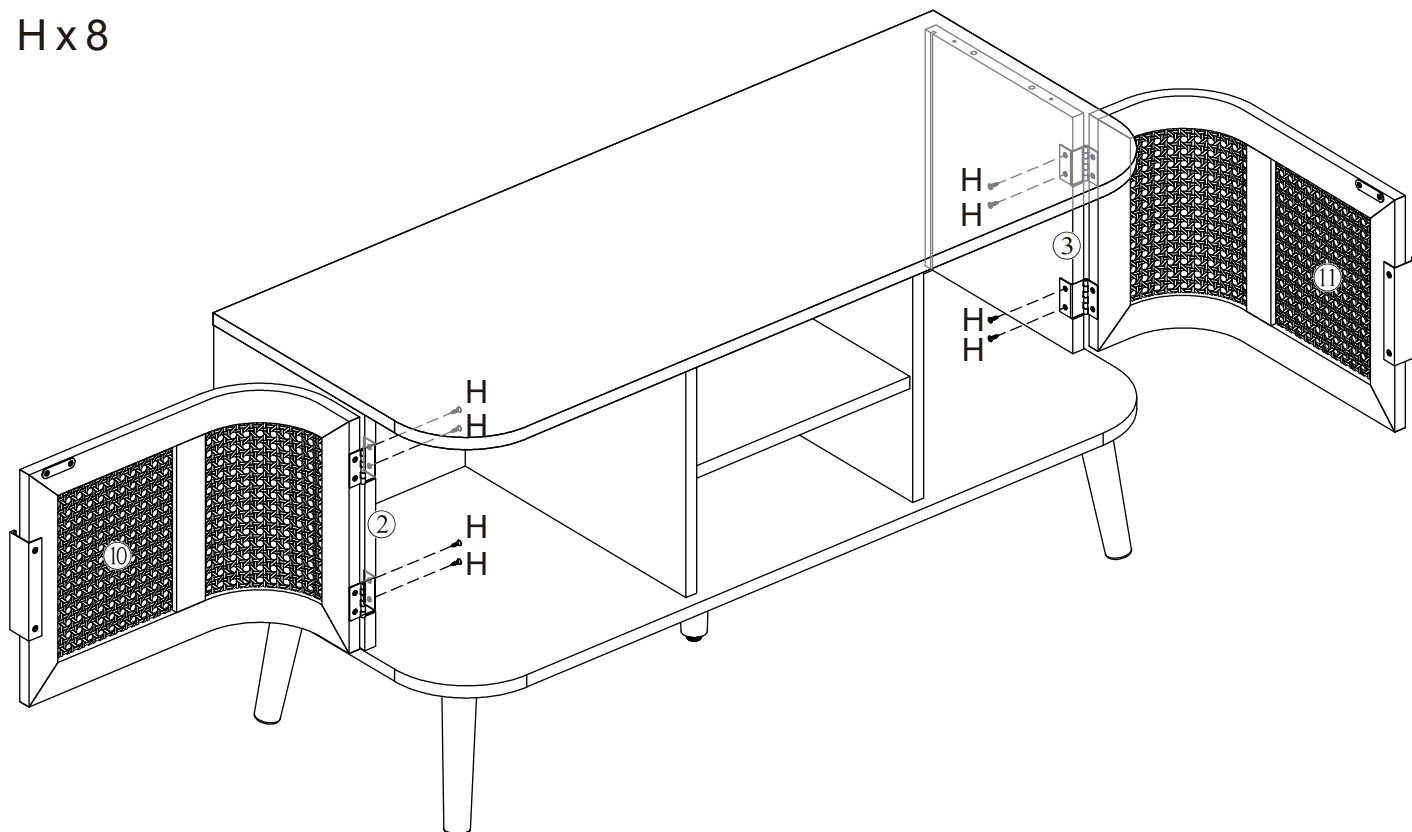
Step 9

H x 16
K x 2
L x 4
M x 2



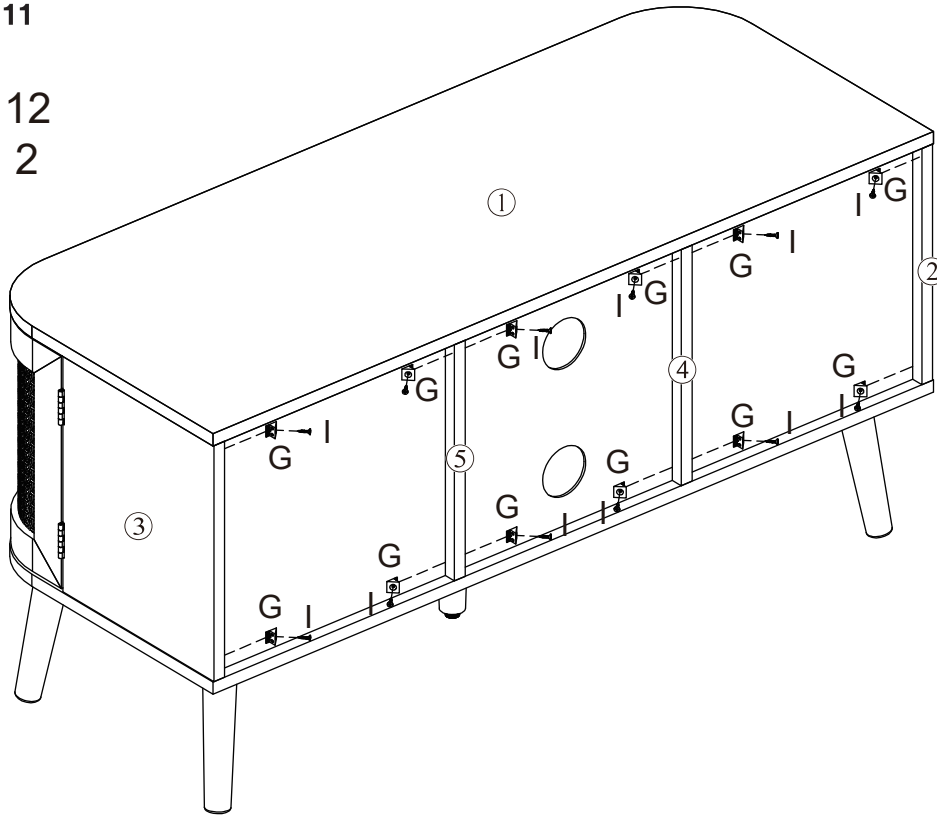
Step 10

H x 8

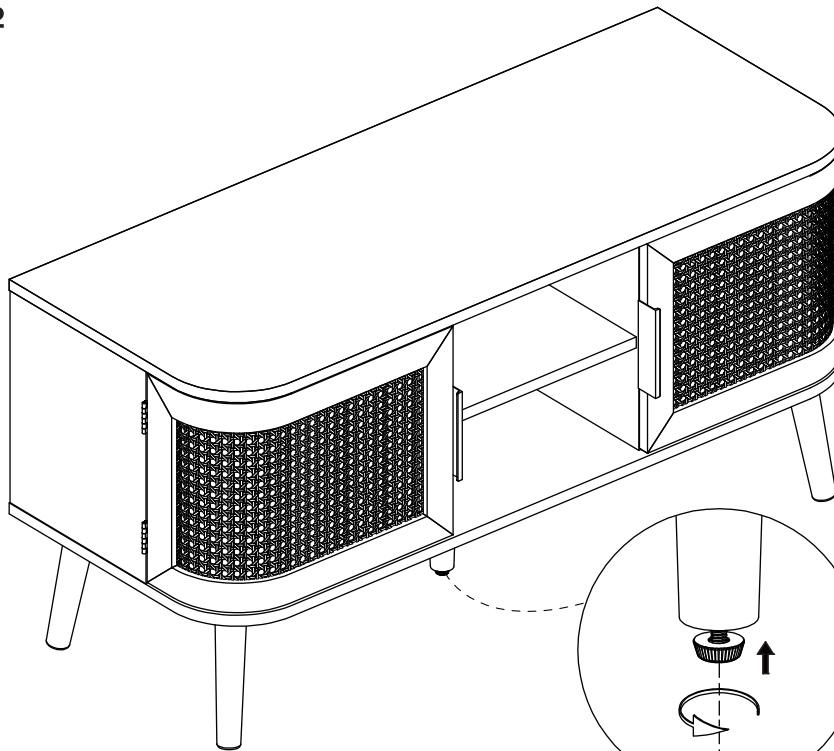


Step 11

G x 12
I x 12



Step 12



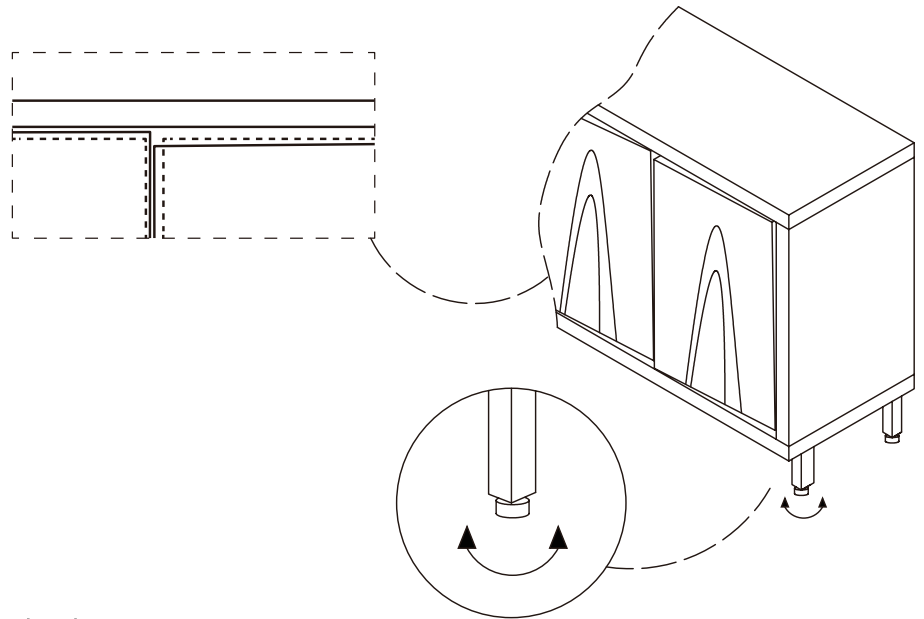
Additional Information:

- For complete product information, images and dimension diagrams please visit the website
- If you have any issues with your item please contact the retailer directly you purchased it from who will be able to resolve any issues
- Why don't you send us photos of your assembled furniture

Is your cabinet door looking crooked or unevenly spaced? (Cont.)

If you're still having trouble lining everything up, your next step should be to try to adjust the feet slightly to square up the cabinet & doors. Follow the illustrations below:

If the right door appears to be hanging low, you can adjust the adjustable leveler on the front right until the door is better aligned.



If the left door appears to be hanging low, you can adjust the adjustable leveler on the front left until the door is better aligned.

