

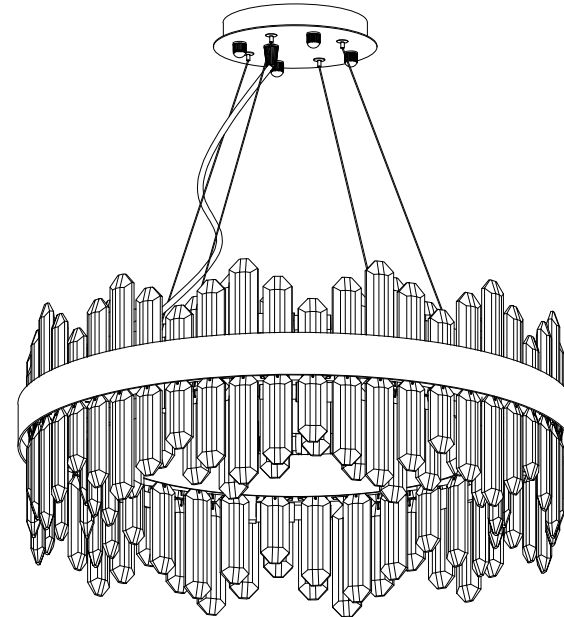
WARRANTY & SERVICES

1 year warranty services are provided for this light fixtures.

We provide 24-hour customer service, and any questions you have will be answered within 24 hours. If you have any questions or problems during the warranty period, please feel free to contact us via email, your order ID and details are preferred so that our customer service will help you more quickly and accurately!

Note: please use this light fixture accordingly to its intended purpose, do not retrofit or remodeling this light fixture. The warranty does not cover if the failure is caused by the third party product, or natural disasters.

INSTALLATION MANUAL



- ◆ Require 16 pieces G9 bulbs(110V, Max 40W), not included in package, if you want it dimmable, please purchase a dimming bulbs with matched dimmer.
- ◆ For transportation safety, the product needs to be partially assembled
- ◆ please wear gloves for installation, especially when hanging crystals



SAFETY INSTRUCTIONS

These instructions are provided for your safety. It is very important that they are read completely before beginning the installation of your fixture.

1. WE RECOMMEND INSTALLATION BY A LICENSED ELECTRICIAN.
2. This fixture require 16 pieces G9 bulbs(not included in product), bulb rated wattage Max 40W. To avoid risk of fire, do not exceed the recommended wattage.
3. If any special control devices are used with this fixture, follow the instructions carefully to assure full compliance with N.E.C. requirements. If there are any questions, contact a qualified electrical contractor.
4. please make sure shut off the main electrical supply before installation, changing bulbs or cleaning light fixture.



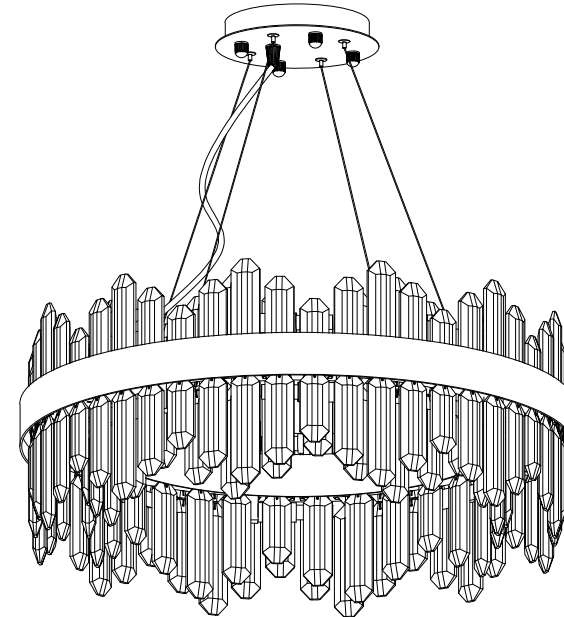
WARNINGS

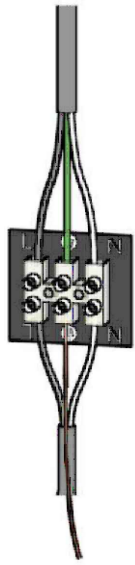
THIS IS NOT A TOY AND THE PRODUCT HAS NO PLAY VALUE.
Keep at least 3 ft away from cribs, bassinets, and toddler beds.
Keep out of reach of children under 3.



PREPARATION

1. Before beginning installation, make sure all parts are included refer to the contents diagrams(PACKAGE CONTENTS). if any Part is missing or damaged, do not attempt to assemble, install or operate the product.
2. 16 pieces G9 bulbs(Max.40W) are required.
3. Any question or problem, please feel free to contact us.





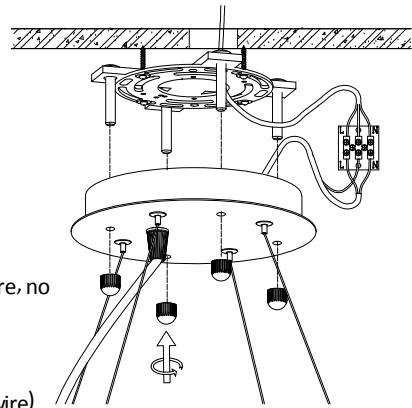
HOUSE WIRES

Black(live wire)
 White(neutral wire)
 Green(ground wire)

LAMP WIRES

2 Transparent wire
 (Live and neutral wire, no
 need to distinguish)

 Brass wire(ground wire)



Ceiling

NOTES:

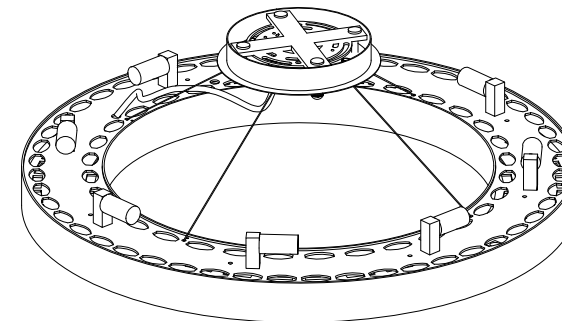
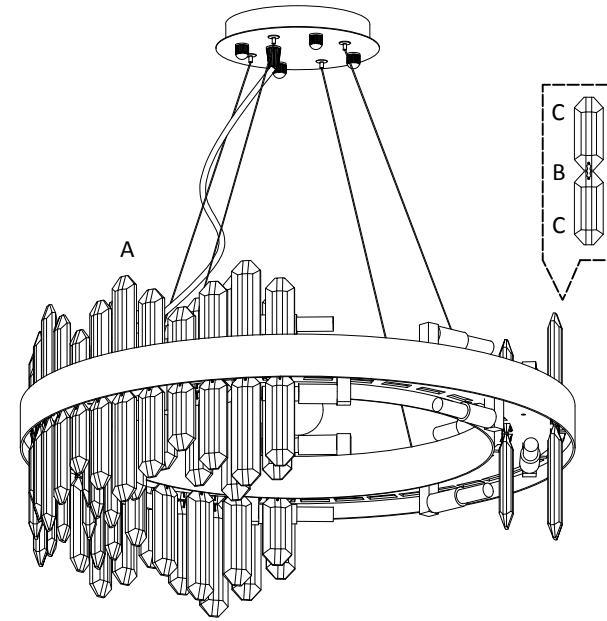
The diagram is only for reference installation method of ceiling plate, please install according to the actual ceiling situation.

If you don't need such a long chain, please cut it appropriately short before hanging it. If you want to increase the length of the hanging chain and wires, please purchase eligible wires and hanging chains that meet the standards and replace and install it by professional electricians.

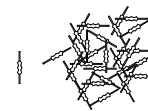
WARNING: Never connect ground wire to black or white power supply wires.
 please make sure shut off the main electrical supply before installation.

PACKING CONTENTS

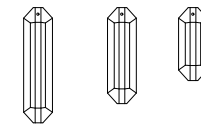
The main accessories are listed below, all fragile or easily lost parts (including during transportation and installation) have spare parts, please rest assured of installation



A:Lamp Frame



B: Metal Pins

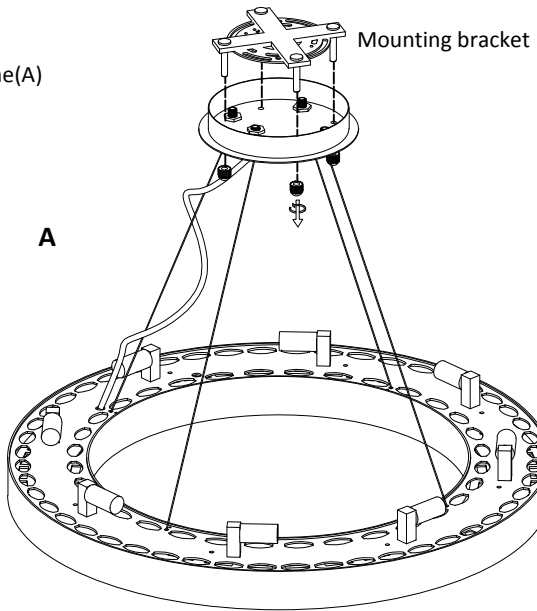


C: Crystals(3 sizes)

INSTALLATION STEPS

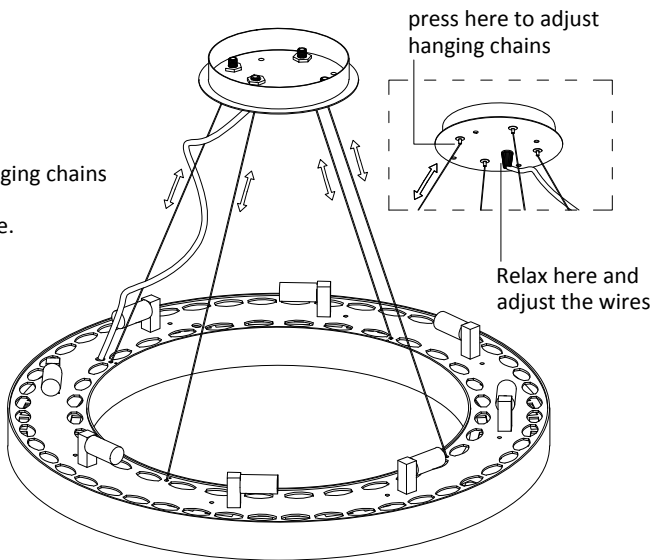
Step I

Take off the mounting bracket from Lamp frame(A)



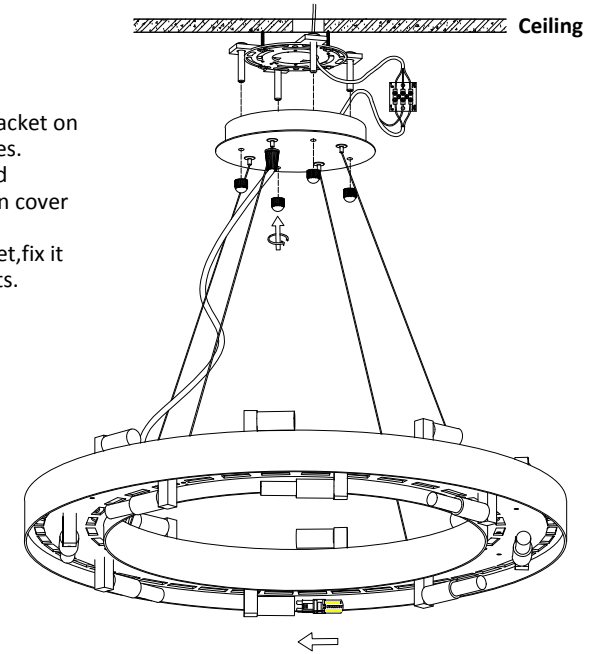
Step II

Adjust the length of hanging chains and wires as needed, and level the lamp frame.



Step III

Install mounting bracket on ceiling, connect wires. Put on G9 bulbs and power-on test. Then cover the ceiling canopy on mounting bracket, fix it with decorative nuts.



Step IV

Install the crystals in sequence as shown

