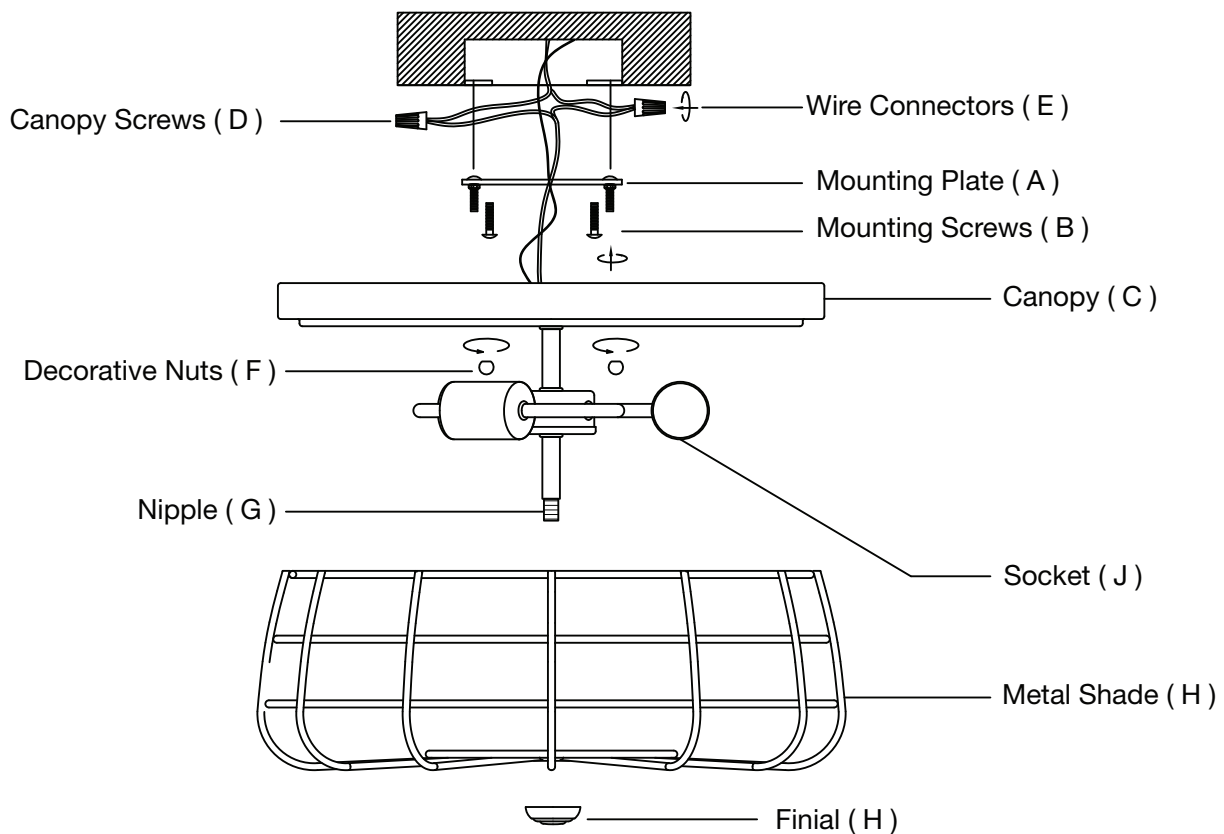


IMPORTANT SAFETY INSTRUCTIONS

- To avoid injury or damage, mount only on a surface that is sturdy.
- To avoid electric shock, make sure electricity is turned off at the main circuit breaker panel. If you are replacing an existing fixture, turn off the following in order: fixture, wall switch, and main fuse or breaker box. Note: Some types of fuses must be unscrewed to shut the power off.

*** Connect the ground wire (bare copper or green) from your fixture to the ground wire (copper or green) or ground screw in the electrical outlet box.**

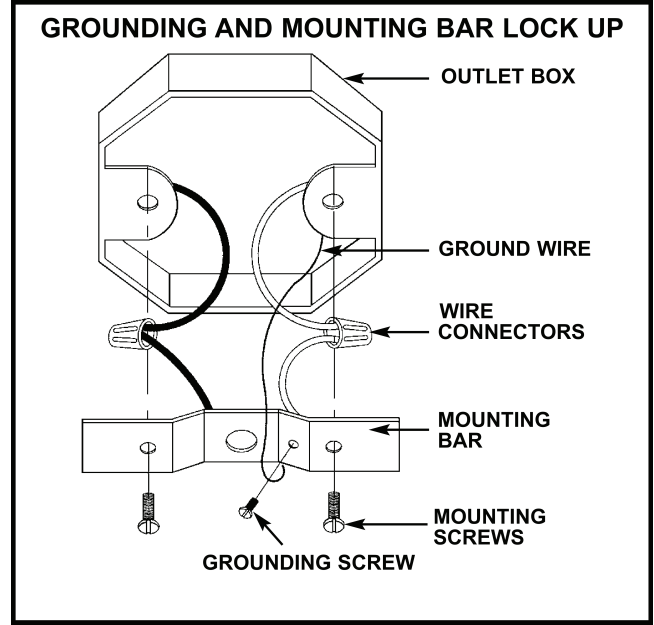
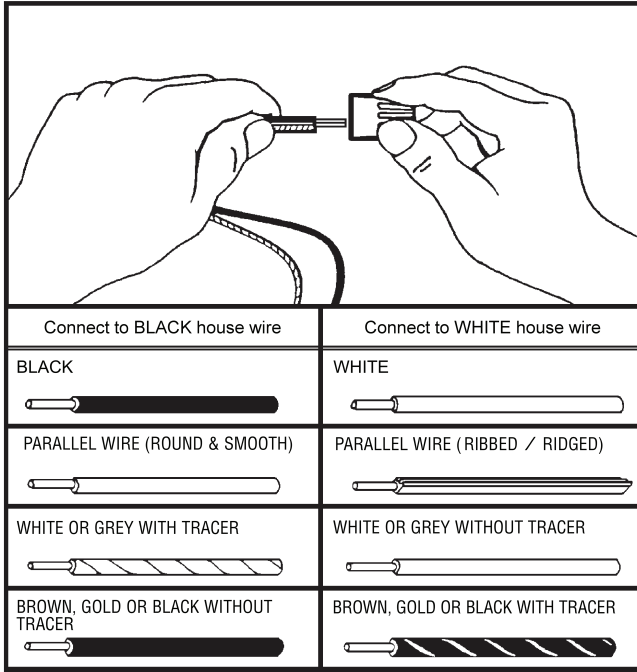
Unpack the Fixture: Check the contents of the box. Box should contain all items below.



ASSEMBLY:

- 1 Secure Mounting Plate (A) to junction box using Mounting Screws (B) provided. Mounting Plate (A) should be positioned with Canopy Screws (D) pointing away from junction box.
- 2 Place Canopy (C) against ceiling by inserting Canopy Screws (D) through appropriate holes located on Canopy (C) . Adjust Canopy Screws (D) and hex nuts until 1/4" of the threaded portion is visible. Remove Canopy (C) once Canopy Screws (D) have been adjusted.

- 3 Using the wire graph below, connect the appropriate wires with Wire Connectors (E) to the corresponding wires in the junction box.



- 4 Secure Canopy (C) to Mounting Plate (A) using Decorative Caps (F).

- 5 Install light bulbs (not included) into Sockets (J).

Enjoy your new fixture!