

# Assembly Instructions

## **WARNING!!**

Children have died from furniture tipover. Tip restraints have been included with this product; you must install the tip restraints according to these instructions in order to minimize the risk of furniture tipping. If you have any questions about this product or the tip restraint, please send us an email at [tip\\_restraint\\_help@Noblehousefurniture.com](mailto:tip_restraint_help@Noblehousefurniture.com)

**NEVER** allow children to climb or hang on furniture, including drawers or cabinet doors.

In addition to installing the restrains, to help prevent tip-over

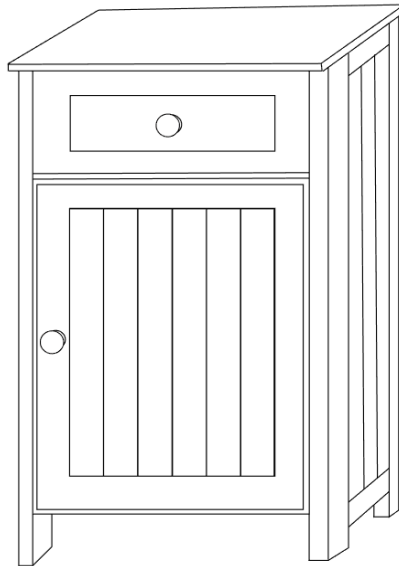
1. **NEVER** put a TV or other heavy objects on top of this product".
2. Do not stand on the product

| <b>! WARNING</b>  |   |
|---|---|
|  | <p>Children have died from furniture tipover. To reduce the risk of furniture tipover:</p> <ul style="list-style-type: none"><li>• ALWAYS install tipover restraint provided.</li><li>• NEVER put a TV on this product.</li><li>• NEVER allow children to stand, climb or hang on drawers, doors, or shelves.</li><li>• NEVER open more than one drawer at a time.</li><li>• Place heaviest items in the lowest drawers.</li><li>• Do not defeat or remove the drawer interlock system.</li></ul> |
|  | <p><i>This is a permanent label.<br/>Do not remove!</i></p>   |

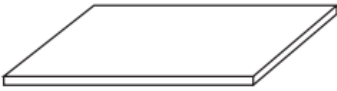




**Caution : You must read this before you proceed**

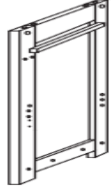
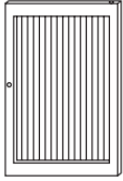

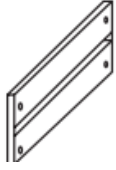
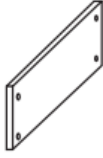
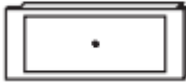

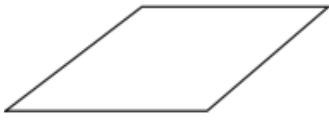
Please look in the velcro pouch for hardware packs and legs

## Cabinet









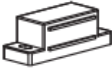









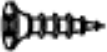
### Parts List

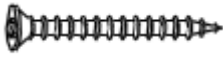





| Label | Picture   | Description   | QTY |
|-------|---|---------------|-----|
| A     |  | Top Panel     | 1   |
| B     |  | Shelf Panel   | 1   |
| C     |  | Support Panel | 1   |
| D     |  | Bottom Panel  | 1   |
| E     |  | Back Panel    | 1   |

|   |   |                         |   |
|---|---|-------------------------|---|
| F |    | Left Side Panel         | 1 |
| G |    | Door Panel              | 1 |
| H |    | Right Side Panel        | 1 |
| I |    | Drawer Left Side Panel  | 1 |
| J |   | Drawer Right Side Panel | 1 |
| K |  | Drawer Front Panel      | 1 |
| L |  | Drawer Back Panel       | 1 |
| M |  | Drawer Base Panel       | 1 |

## Hardware

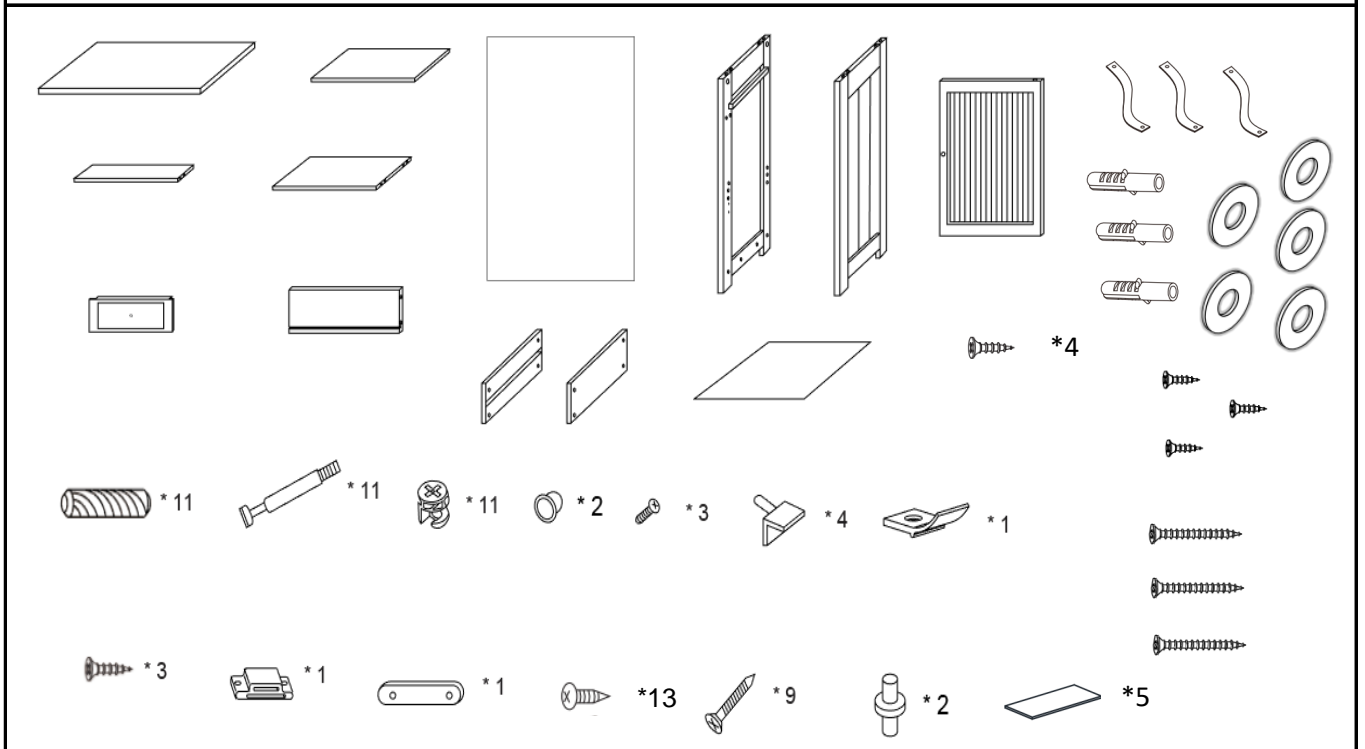
| Label | Picture   | Description        | QTY |
|-------|---|--------------------|-----|
| ①     |  | Dowel<br>(M6x30mm) | 11  |
| ②     |  | Cam Bolt           | 11  |

|                                  |   |                               |    |
|----------------------------------|---|-------------------------------|----|
| ③                                |    | Cam Nut                       | 11 |
| ④                                |    | Door Knob                     | 2  |
| ⑤                                |    | Screw<br>(M4x16mm)            | 3  |
| ⑥                                |    | Shelf Support                 | 4  |
| ⑦                                |    | Magnet                        | 1  |
| ⑧                                |    | Screw<br>(M3x14mm)            | 3  |
| ⑨                                |    | Magnet Strip                  | 1  |
| ⑩                                |   | Screw<br>(M2.5x10mm)          | 13 |
| ⑪                                |  | Screw<br>(M3x25mm)            | 9  |
| ⑫                                |  | Door Pin                      | 2  |
| ⑬                                |  | Stopper                       | 1  |
| ⑭                                |  | Screwdriver<br>(Not provided) | 1  |
| ⑮                                |  | Pad                           | 5  |
| ⑯                                |  | Screw<br>(M3x12mm)            | 4  |
| <b>Restraint Device Hardware</b> |   |                               |    |
| ⑰                                |  | Screw<br>(M3x14mm)            | 3  |

|   |   |                               |   |
|---|---|-------------------------------|---|
| ⑱ |  | Screw<br>(M4x40mm)            | 3 |
| ⑲ |  | Hammer<br>(Not Provided)      | 1 |
| ⑳ |  | Power Drill<br>(Not Provided) | 1 |
| ㉑ |  | Restraint Strap               | 2 |
| ㉒ |  | Wall Anchor                   | 3 |
| ㉓ |  | Metal Gasket                  | 5 |

## Assembly Preparation

Before Beginning Assembly:



- Read instructions, cover to cover-



- Have 2 adults on hand for assembly-



- Do not assemble on flooring or carpet-



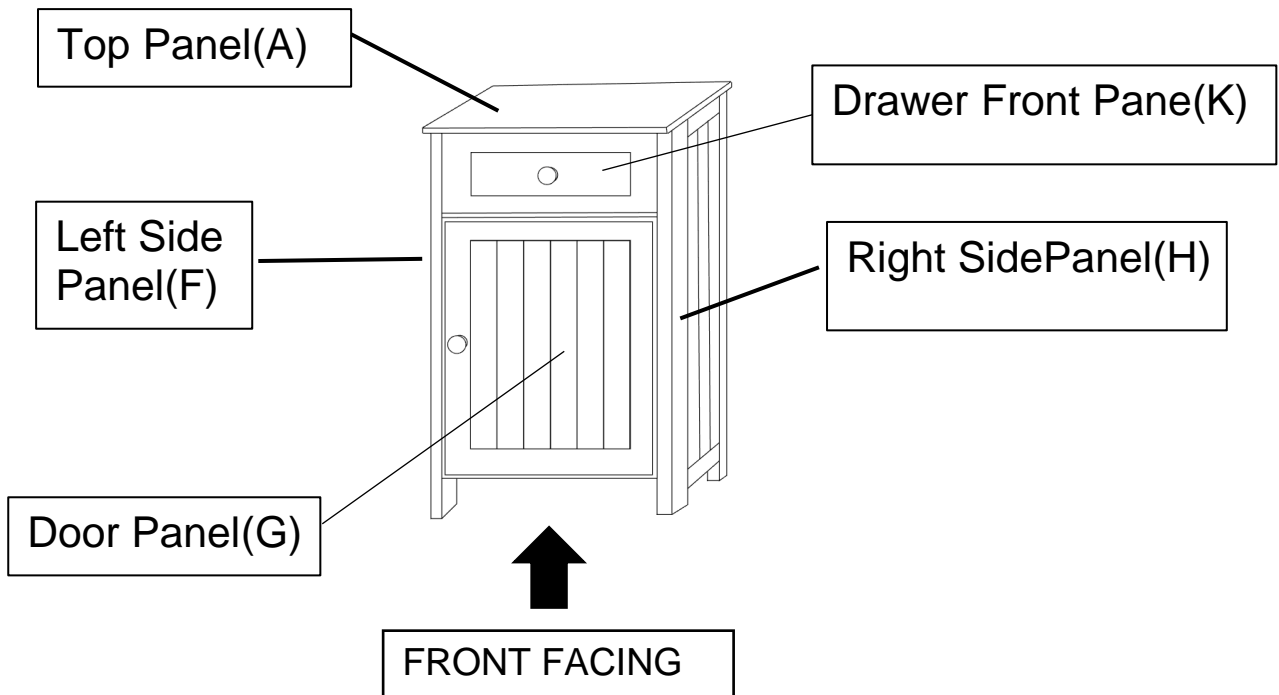
- Assemble on a clean non-marring surface (packing foam)-



- Save all packaging until finished-

# Assembly Steps

## Overview

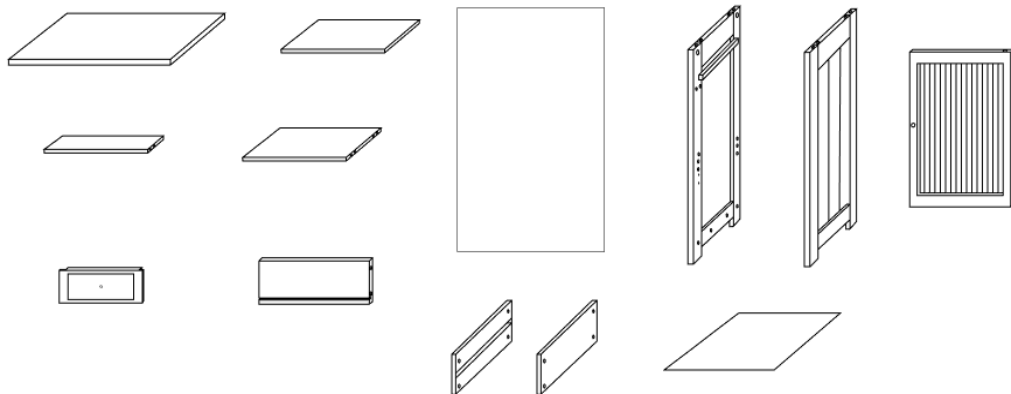


This Cabinet has multiple parts and may require up to 30 minutes to assemble.

To give you an overview of the Cabinet parts, the above picture is to help you put the various parts into perspective.

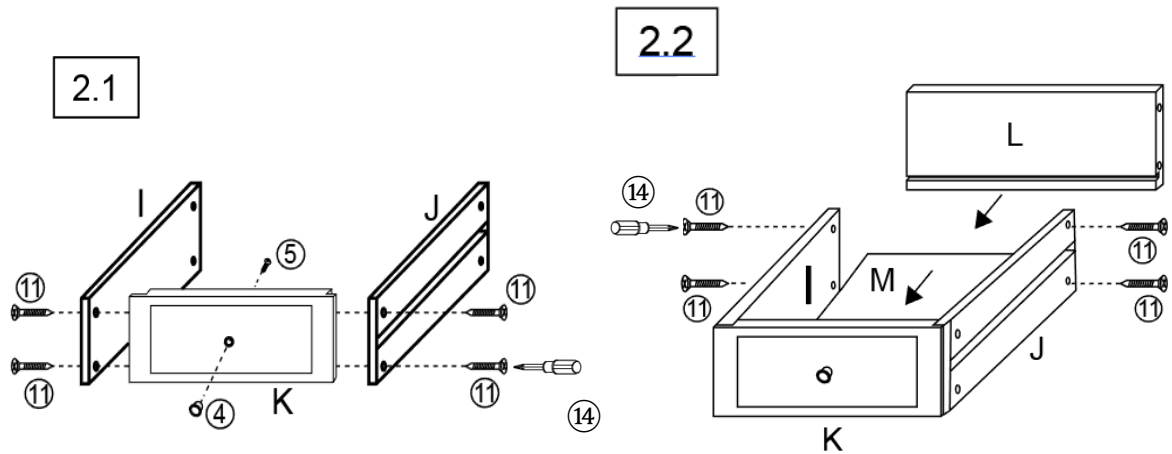
Please read through the instructions below to familiarise yourself with the parts and steps before assembly.

## Step 1



Unpack and place all parts on a clean, non-marring surface.

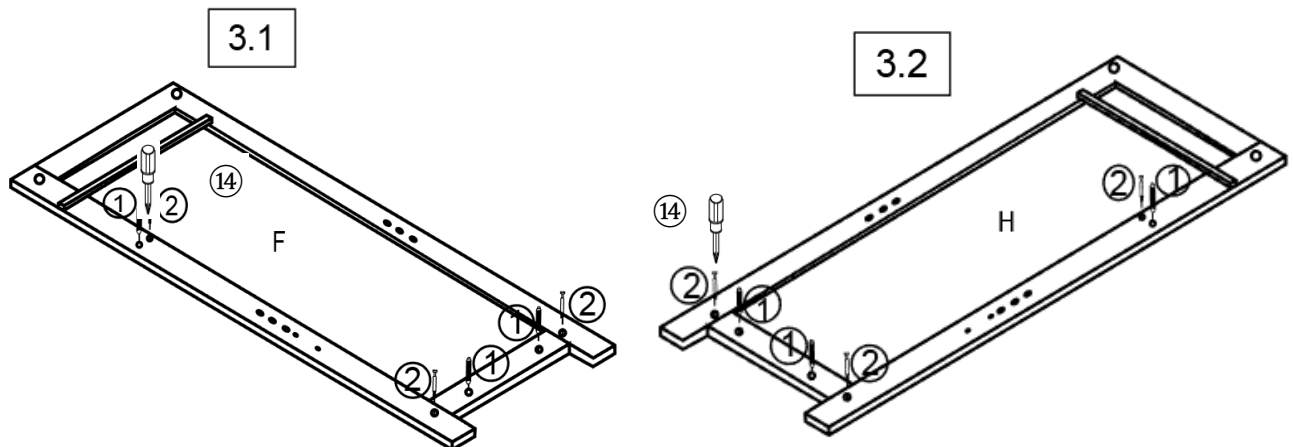
## Step 2



2.1) Attach Door Knob(④) to the mounting positions on Drawer Front Panel(K) using Screw(⑤) with Screwdriver(⑭). Attach Drawer Left Side Panel(I) and Drawer Right Side Panel(J) to the Drawer Front Panel(K) using Screw(⑪) with Screwdriver(⑭) as shown.

2.2) Insert Drawer Base Panel(M) into the grooves on the Drawer Left Side Panel(I), Drawer Right Side Panel(J) and Drawer Front Panel(K), attach Drawer Back Panel(L) to the Drawer Left Side Panel(I) and Drawer Right Side Panel(J) using Screw(⑪) with Screwdriver(⑭).

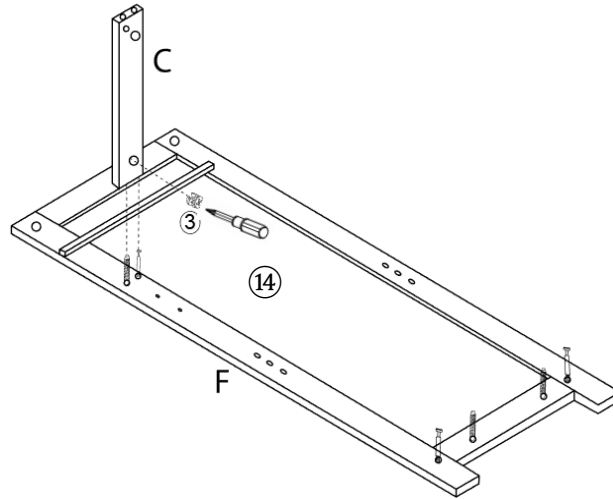
## Step 3



3.1) Insert Dowel(①) into the mounting positions on Left Side Panel(F). Insert Cam Bolt(②) into the mounting positions on Left Side Panel(F) using Screwdriver(⑭) as shown.

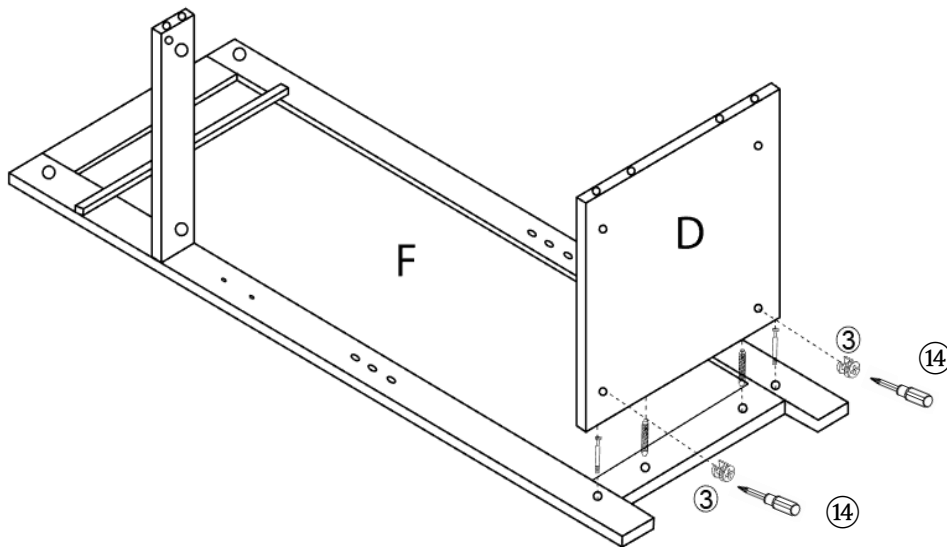
3.2) Insert Dowel(①) into the mounting positions on Right Side Panel(H). Insert Cam Bolt(②) into the mounting positions on Right Side Panel(H) using Screwdriver(⑭) as shown.

## Step 4



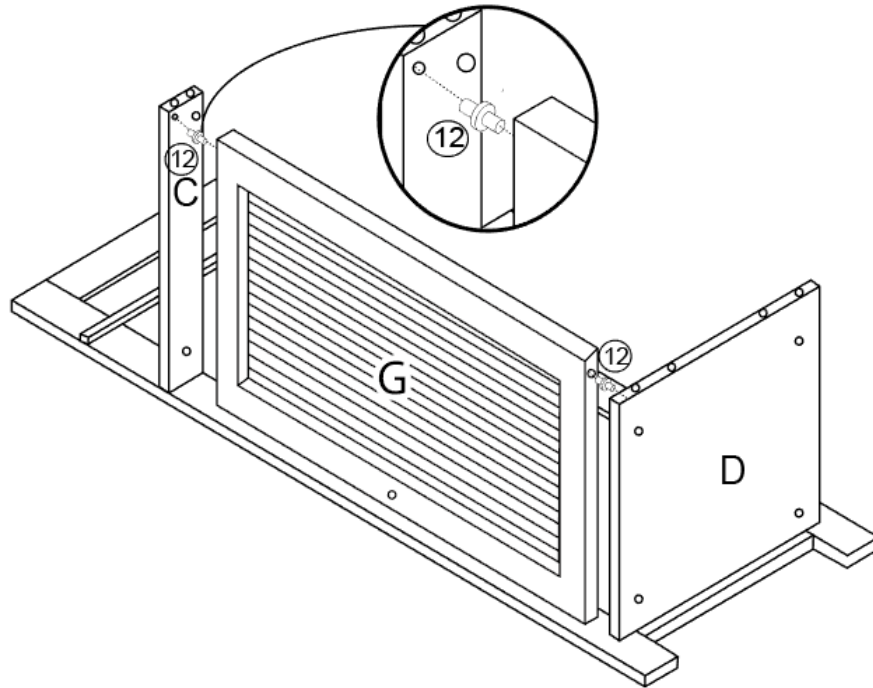
Insert Support Panel(C) into the Dowel and Cam Bolt on Left Side Panel(F), then insert Cam Nut(③) into Support Panel(C) using Screwdriver(⑭) as shown.

## Step 5



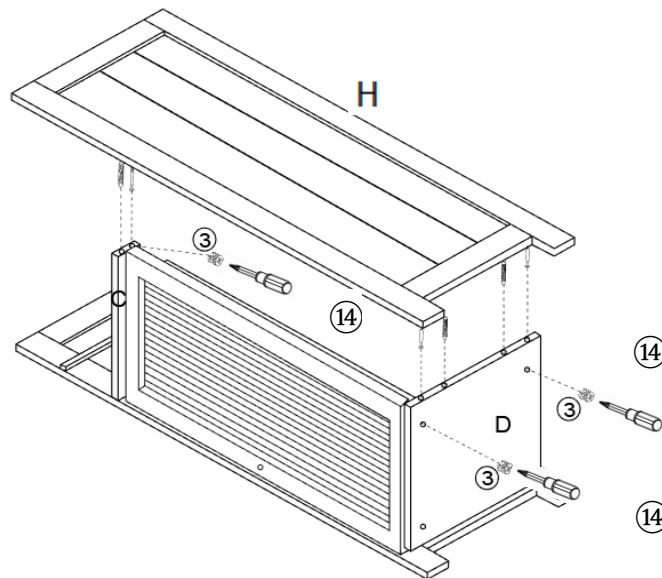
Attach Bottom Panel(D) to the Dowel and Cam Bolt on Left Side Panel(F), insert Cam Nut(③) into the Bottom Panel(D) using Screwdriver(⑭) as shown.

## Step 6



Attach Door Panel(G) to the mounting positions on Support Panel(C) and Bottom Panel(D) with Door Pin(12) to connect them.

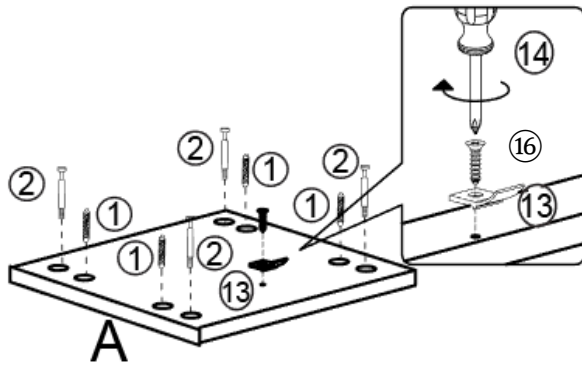
## Step 7



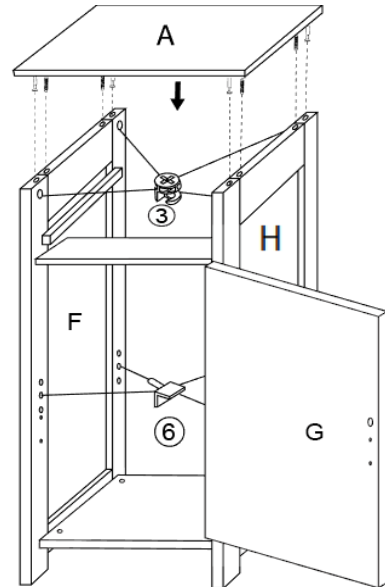
Attach Right Side Panel(H) to the mounting positions on Support Panel(C) and Bottom Panel(D) using Cam Nut(3) with Screwdriver(14).

## Step 8

8.1



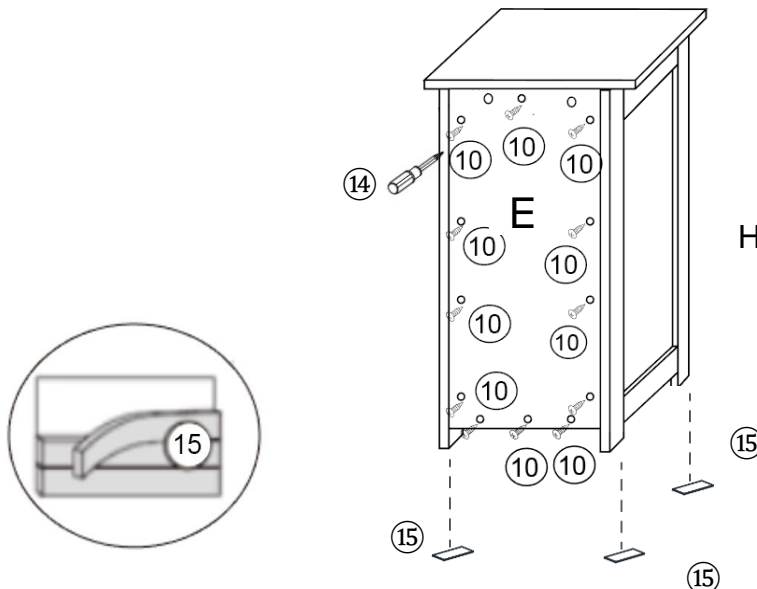
8.2



8.1) Insert Dowel (1) into the mounting positions on Top Panel (A), then attach Cam Bolt (2) to the mounting positions on Top Panel (A) using Screwdriver (14) as shown. Attach Stopper (13) to the Top Panel (A) using Screw (16) with Screwdriver (14).

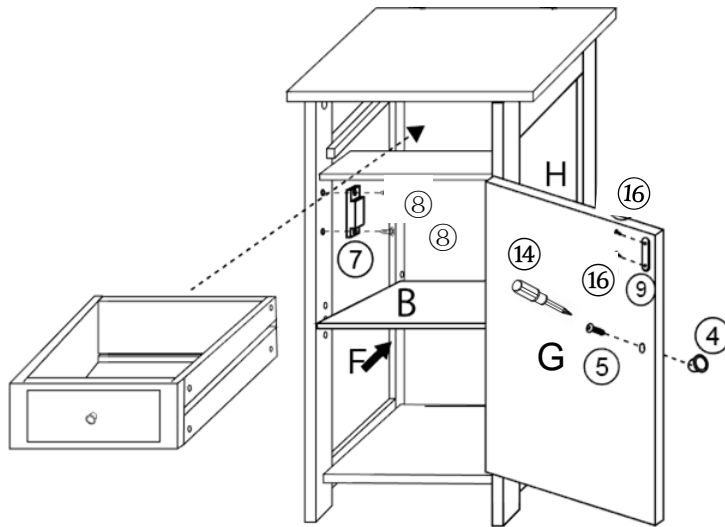
8.2) Attach Top Panel (A) to the mounting positions on Left Side Panel (F) and Right Side Panel (H) using Cam Nut (3) with Screwdriver (14). Attach Shelf Support (6) to the mounting positions on Left Side Panel (F) and Right Side Panel (H).

## Step 9



Attach Back Panel (E) to the back of cabinet using Screw (10) with Screwdriver (14). Peel a Pad (15) off the backing and apply it squarely to a leg as shown in the picture. Repeat this step with the remaining three feet.

## Step 10



Attach Door Knob(④) to the Door Panel(G) using Screw(⑤) with Screwdriver(⑭).

Attach Magnet Strip(⑨) the Door Panel(G) using Screw(⑯) with Screwdriver(⑭), then attach Magnet(⑦) the Left Side Panel(F) using Screw(⑧) with Screwdriver(⑭).

Place Shelf Panel(B) onto the Shelf Support(⑥) on Left Side Panel(F) and Right Side Panel(H).

Carefully insert the drawer into the Cabinet along the Runners and Runner Tracks.



### WARNING

**Serious or fatal crushing injuries can occur from tipping furniture.**

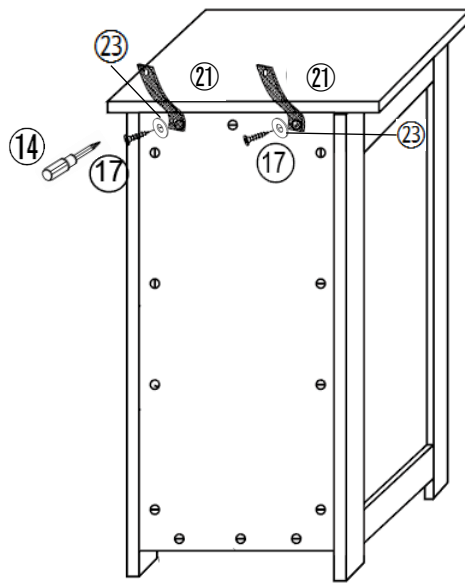
**To help prevent tip-over: ALWAYS secure this furniture to the wall using Cabinet Restraint Device.**

**See product instructions for more ways to help prevent furniture tip-over.**



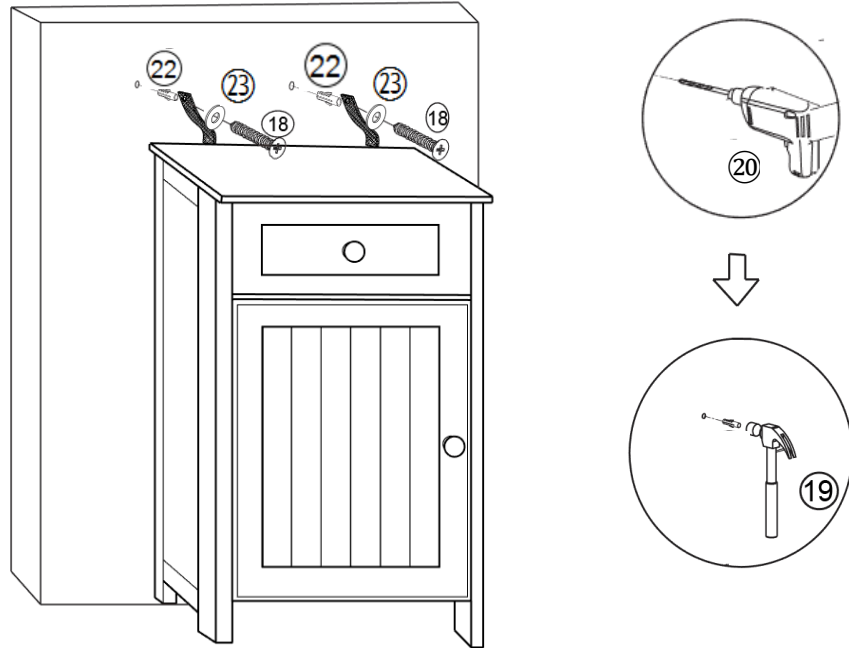
**Usage For Cabinet Restraint Device:**

**Step 11**



Attach Restraint Strap(21) to the Back Panel(E) using Screw(17) and Metal Gasket(23) with Screwdriver(14).

## Step 12



Drill two mounting positions on the wall with Power Drill(20), insert Wall Anchor(22)into drilled mounting position on the wall with Hammer(19). Move the cabinet back to the wall, lock by Screw(18) and Metal Gasket(23) with Screwdriver(14).

## Care & Maintenance



- Furniture may scratch floors. We recommend using furniture pads to protect your floors.



- Do not put hot items directly on furniture surface.



- Do not clean furniture with harsh cleansers or polish.



- Do not place furniture under direct sunlight.



- Do not place furniture near heating or cooling vents.



- Do not write on furniture without a padded barrier to protect the surface.



- Do not place furniture outside . For indoor use only.



- Not for commercial use. For residential use only.



- Stains may be removed with mild soap solution and damp cloth.



- Children should not climb or jump on the furniture.



- Dust and pick-up spills using a clean, non-colored, lint-free cloth.