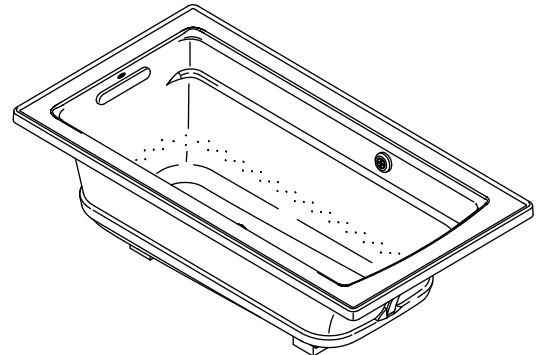


Features

- Acrylic
- Bask™ heated lumbar support with three temperature settings
- Slotted overflow for maximum bathing depth
- 120 BubbleMassage™ airjets
- Blower motor with 300 W heater and electronic user control
- Comfort Depth® design offers a 19" (483 mm) step-over height
- Molded lumbar support and armrests for comfort
- Textured bottom surface
- Drop-in installation
- Reversible drain
- 60" (1524 mm) x 32" (813 mm) x 20-1/2" (521 mm)

5' BUBBLEMASSAGE™ BATH WITH BASK™ HEATED SURFACE K-1122-GW

ADA



Codes/Standards Applicable

Specified model meets or exceeds the following:

- ADA
- CSA B45.5/IAPMO Z124
- ASTM E162
- ASTM E662
- UL 1795
- ICC/ANSI A117.1
- ASME A112.19.7/CSA B45.10

Colors/Finishes

- 0: White
- Other: Refer to Price Book for additional colors/finishes

Accessories

- CP: Polished Chrome
- NA: None applicable
- Other: Refer to Price Book for additional colors/finishes

Specified Model

Model	Description	Colors/Finishes		
K-1122-GW	BubbleMassage bath with Bask heated surface	<input type="checkbox"/> 0	<input type="checkbox"/> Other_____	
Required Accessories				
K-7271	Clearflo slotted overflow brass bath drain OR	<input type="checkbox"/> CP	<input type="checkbox"/> PB	<input type="checkbox"/> Other_____
K-7272	Clearflo slotted overflow bath drain – PVC pipe	<input type="checkbox"/> CP	<input type="checkbox"/> PB	<input type="checkbox"/> Other_____
Recommended Accessories				
K-1446	Remote blower/motor installation kit	NA		

Product Specification

The acrylic BubbleMassage bath shall be 60" (1524 mm) in length, 32" (813 mm) in width, and 20-1/2" (521 mm) in height. Bath shall have a blower motor with 300 W heater, and electronic user control. Bath shall feature slotted overflow for maximum bathing depth and Comfort Depth design, which offers a 19" (483 mm) step-over height. Bath shall have molded lumbar support and armrests for comfort. Bath shall have reversible drain. Bath shall have textured bottom surface. Bath shall be for drop-in installation. Bath shall have 120 BubbleMassage airjets. Bath shall feature Bask heated lumbar support with three temperature settings. BubbleMassage bath shall be Kohler Model K-1122-GW-_____.

ARCHER®

Technical Information

Fixture*:	
Bathing well:	
Basin area, bottom	45-1/8" (1146 mm) x 19-11/16" (500 mm)
Basin area, top	52-3/4" (1340 mm) x 25-5/16" (643 mm)
Weight	90 lbs (40.8 kg)
To overflow:	
Water depth	15" (381 mm)
Capacity	58 gal (219.5 L)
* Approximate measurements for comparison only.	

Drop-in cutout	58-1/2" (1486 mm) x 30-1/2" (775 mm)
----------------	--------------------------------------

	W	V	Hz	A
Blower motor	300	120	60	10
Heated surface	65	120	60	.5

Required Electrical Service

Dedicated circuit required, protected with Class A Ground-Fault Circuit-Interrupter (GFCI).

Blower/Heated surface | 120 V, 15 A, 60 Hz

Blower motor and heated surface are supplied with separate 24" (610 mm) grounding-type plug-in cords.

Installation Notes

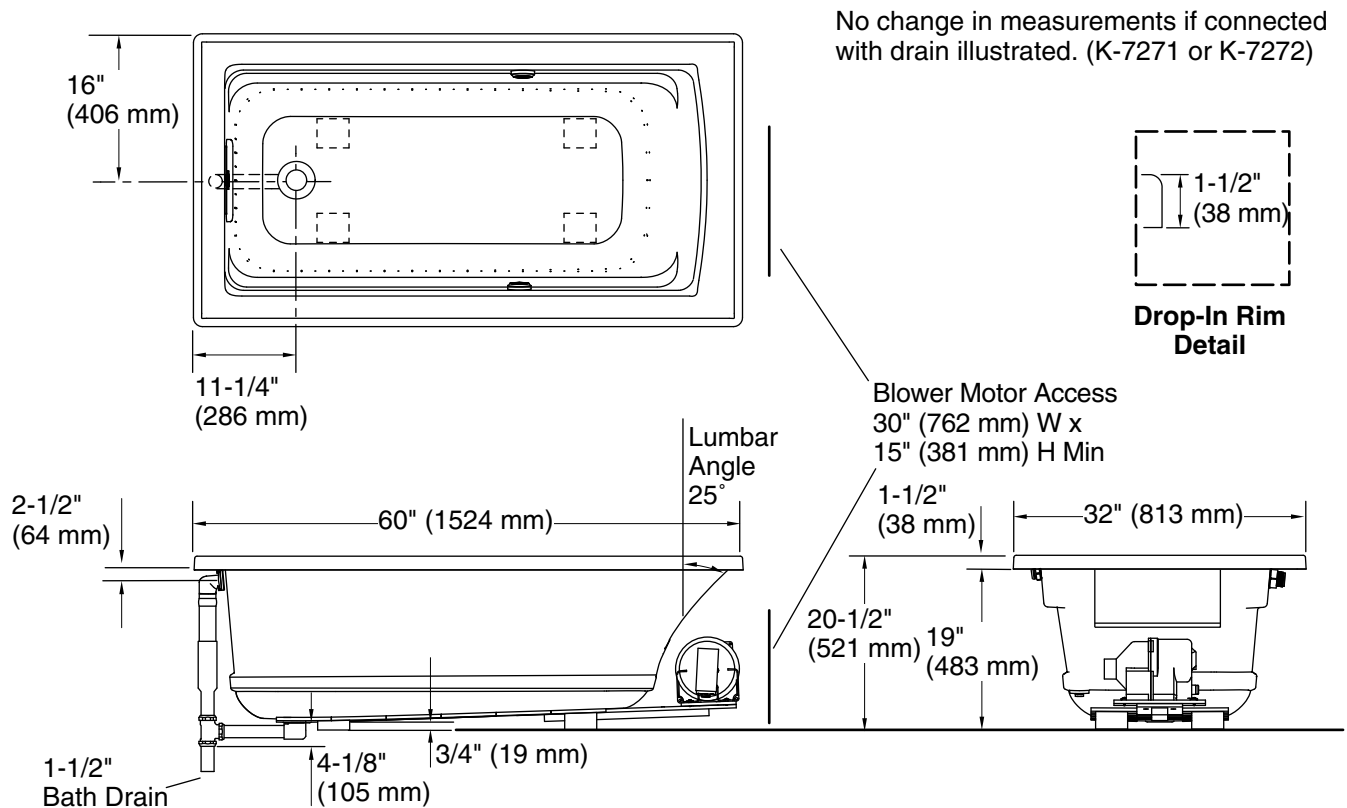
Install this product according to the installation guide.

Floor support under this product must provide for a minimum of 45 lbs/square foot (218 kg/square meter) loading.

This product is designed for a drop-in installation only. It is not suited for use in a three-wall alcove with an overhead shower.

NOTICE: Relocation of the blower motor and check valve is optional. Mount the blower motor and check valve together; do not move one without the other. Two access panels are required for blower motor and check valve relocation. Provide one access panel at the blower motor/control location and another at the heated surface location.

Will comply with **ADA** when installed per Section 607 Bathtubs of the ADA 2010 Standards for Accessible Design.



Product Diagram