

60055 DINING CHAIR ASSEMBLY INSTRUCTION

Thank you for purchasing this quality product. Be sure to check all packing material carefully for small parts which may have come loose inside the carton during shipment. Separate, identify and count all parts and hardware. Compare with the parts list to be sure all parts are present.

IMPORTANT : PLEASE READ INSTRUCTION BEFORE STARTING THE ASSEMBLY.

"DO NOT TIGHTEN SCREWS UNTIL COMPLETELY ASSEMBLED"

"DO NOT OVERTIGHT ANY HARDWARE"

WARNING : SMALL PARTS AND HARDWARE NOT FOR CHILDREN UNDER 3 YEARS. ADULT ASSEMBLY REQUIRED.

TABLE OF CONTENTS

HARDWARES LIST

PAGE 2

PARTS LIST

PAGE 3

PARTS' LOCATION

PAGE 4

ASSEMBLY STEPS

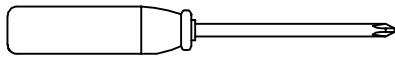
PAGE 5

ASSEMBLY COMPLETED

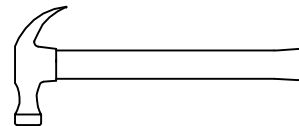
PAGE 6

ASSEMBLY TOOLS REQUIRED

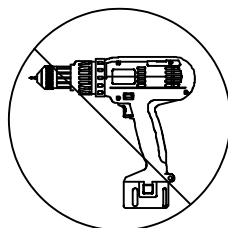
1. Screwdriver (not provide)



2. Hammer (not provide)









Skip the power drill this time.



60055 DINING CHAIR ASSEMBLY INSTRUCTION

HARDWARES LIST

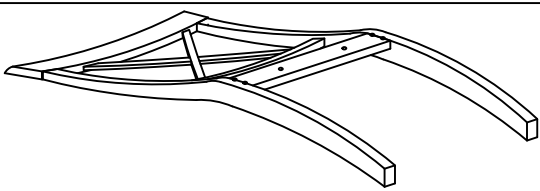
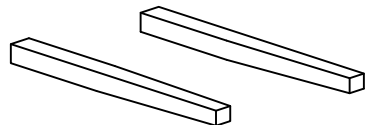
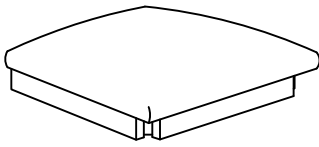
ITEM	DESCRIPTION	DRAWING	QTY
A	JCBC SCREW M6 x 35MM		4 PCS
B	JCBC SCREW M6 x 60MM		8 PCS
C	JCBC SCREW M6 x 80MM		8 PCS
D	SPRING WASHER M6 x 12mm		20 PCS
E	FLAT WASHER M6 x 19mm		20 PCS
F	M4 ALLEN KEY (100MM)		1 PC

There are total **THREE (3)** packs of hardware packs.
 Each hardware pack includes the hardware for **TWO (2)** chairs.

60055 DINING CHAIR ASSEMBLY INSTRUCTION

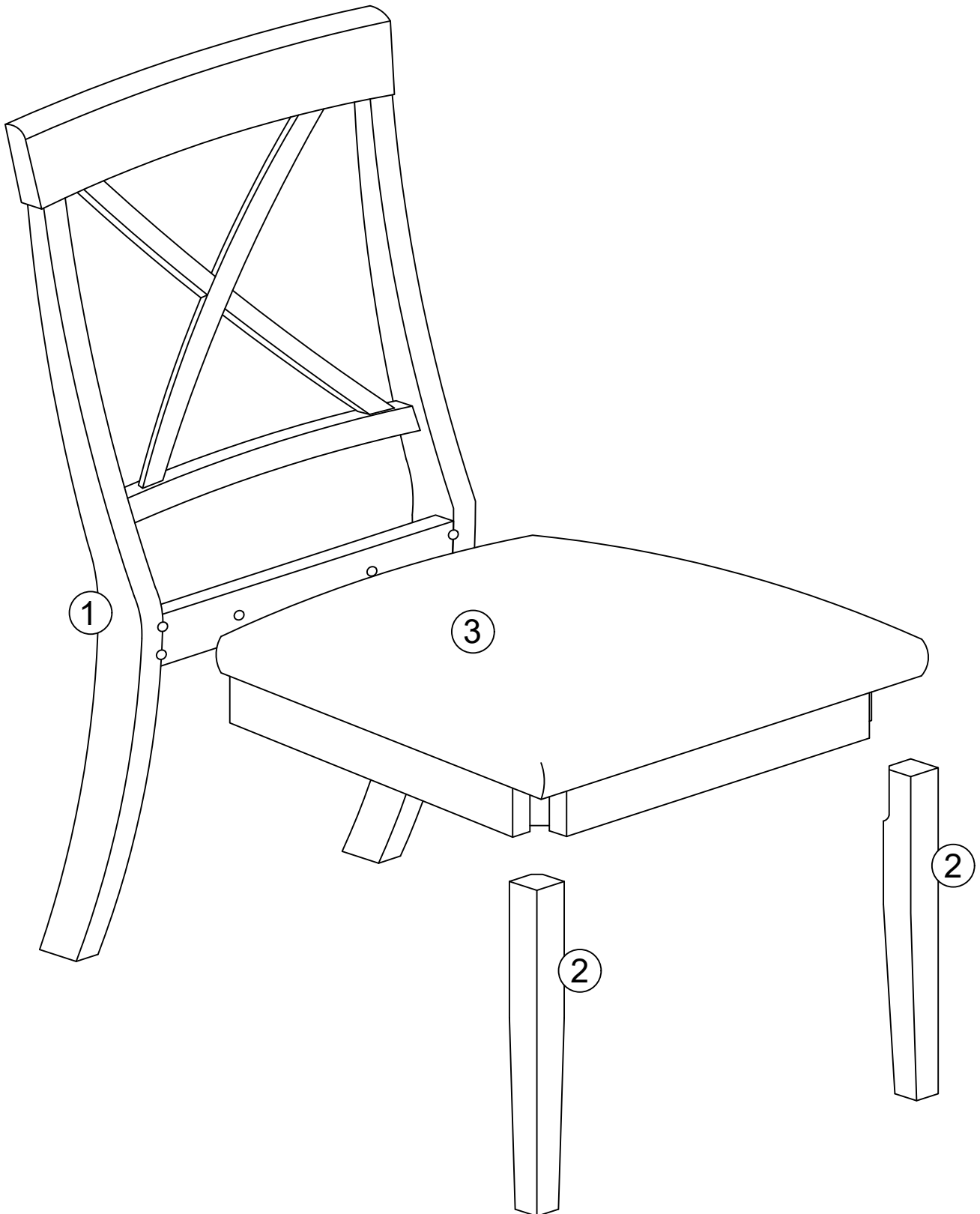
PARTS LIST

BOX 1

ITEM	DESCRIPTION	DRAWING	QTY
1	BACKREST		6 PCS
2	FRONT LEG		12 PCS
		BOX 2	
3	CUSHION SEAT		6 PCS

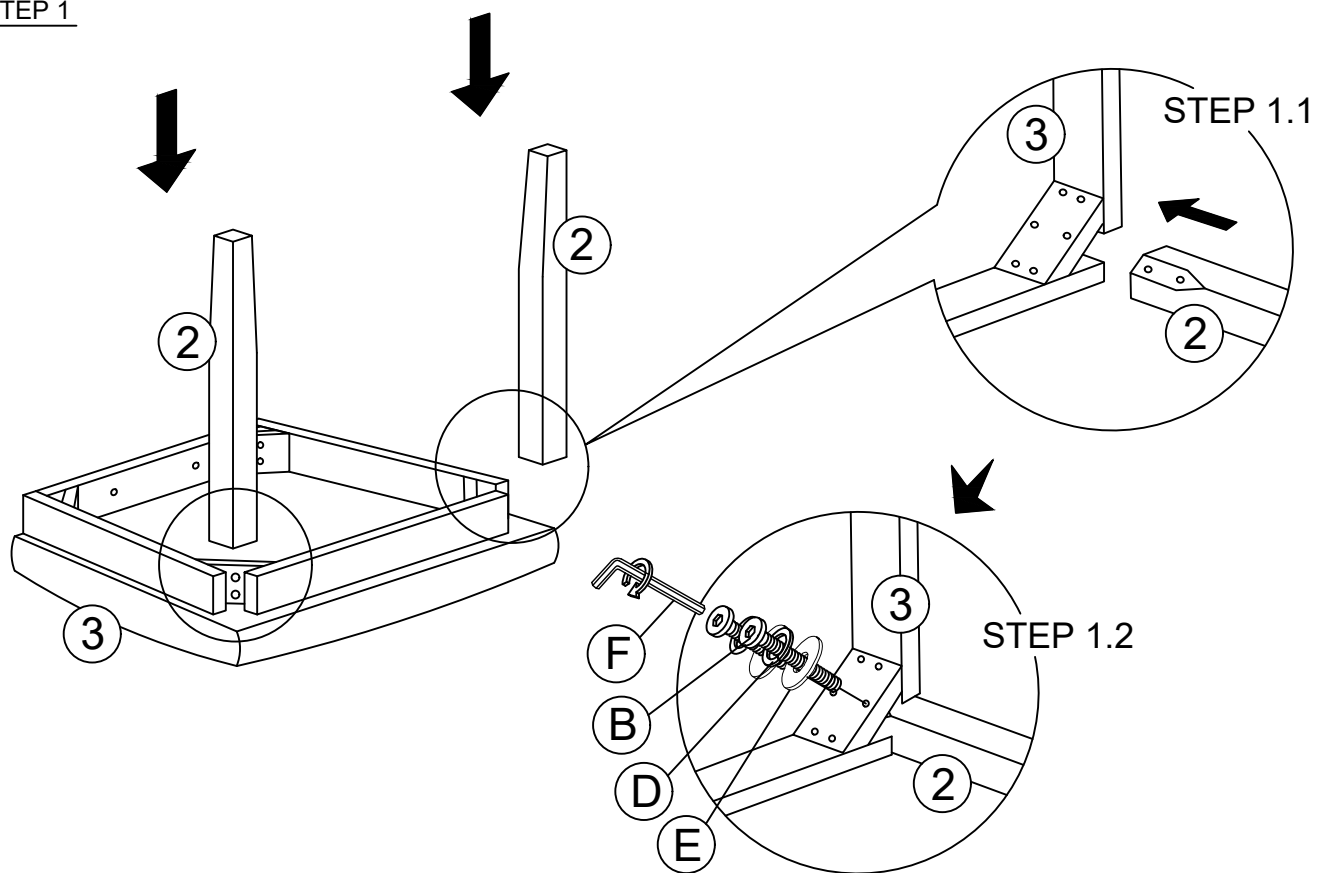
60055 DINING CHAIR ASSEMBLY INSTRUCTION

PARTS ' LOCATION

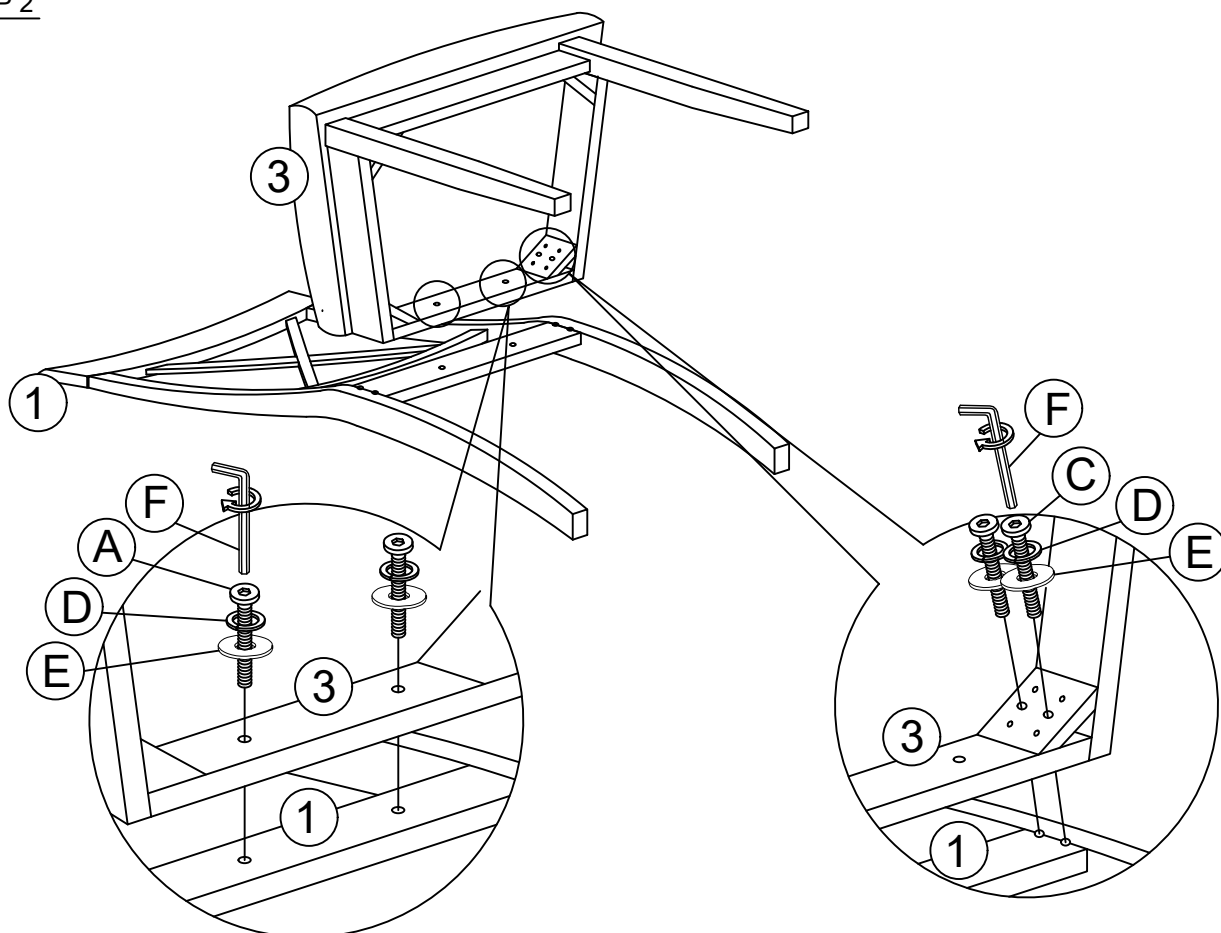


60055 DINING CHAIR ASSEMBLY INSTRUCTION

STEP 1

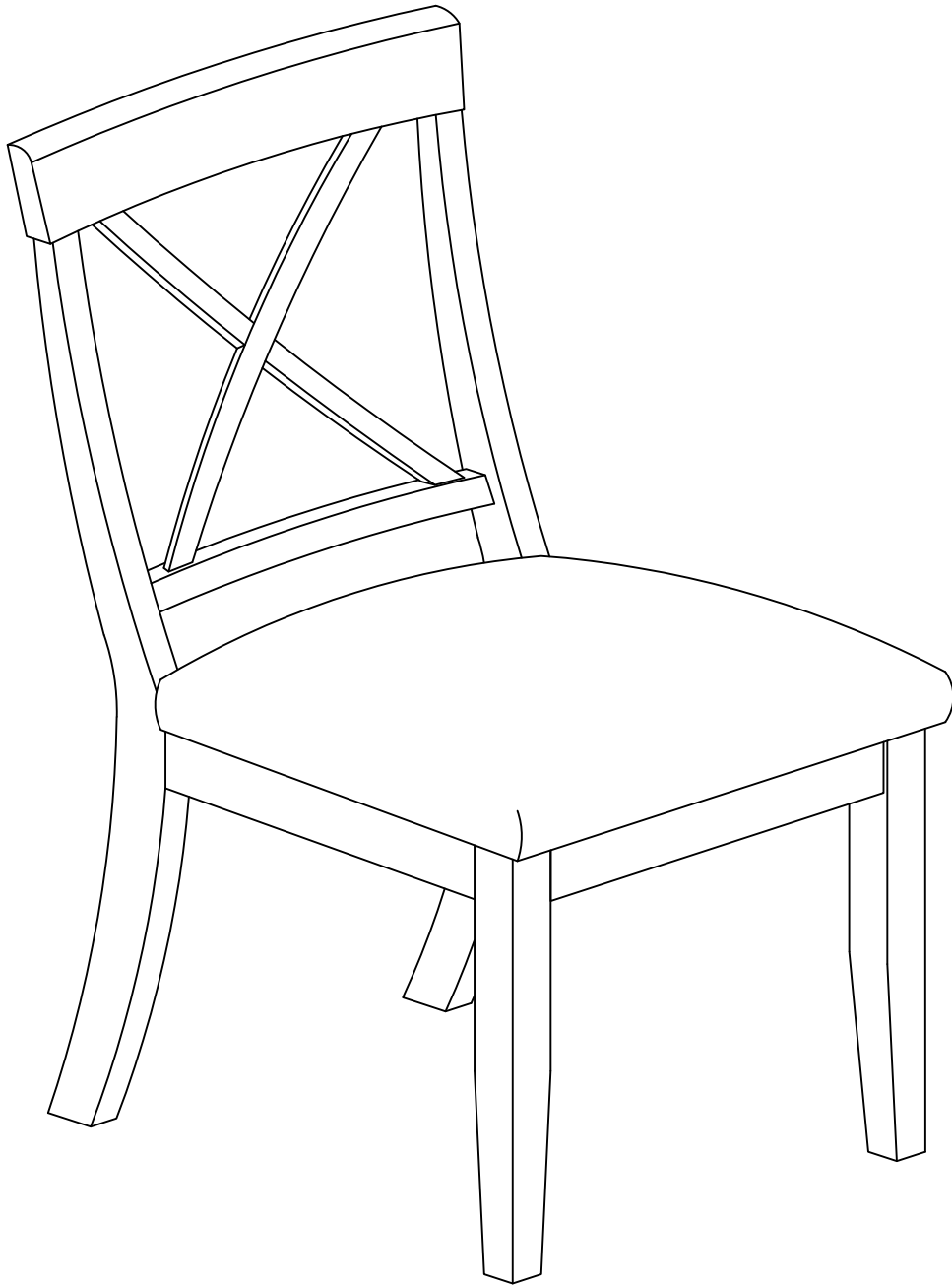


STEP 2



60055 DINING CHAIR ASSEMBLY INSTRUCTION

STEP 3



**ASSEMBLY
COMPLETED**