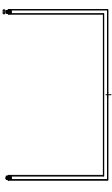
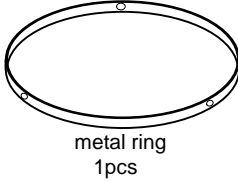







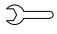
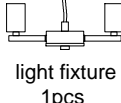
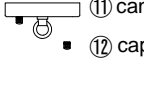

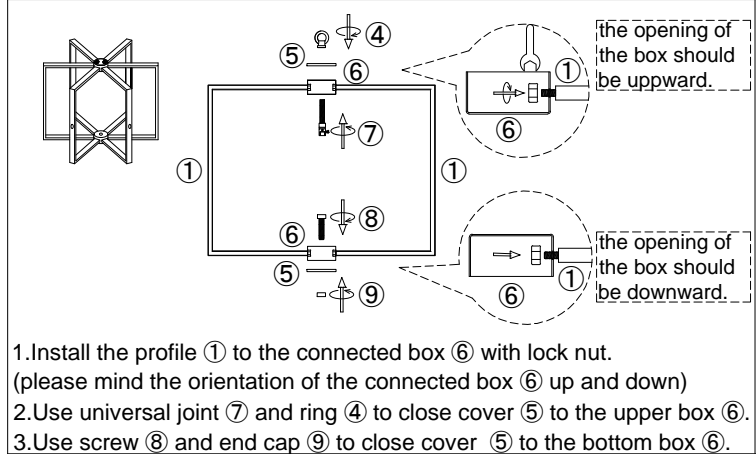
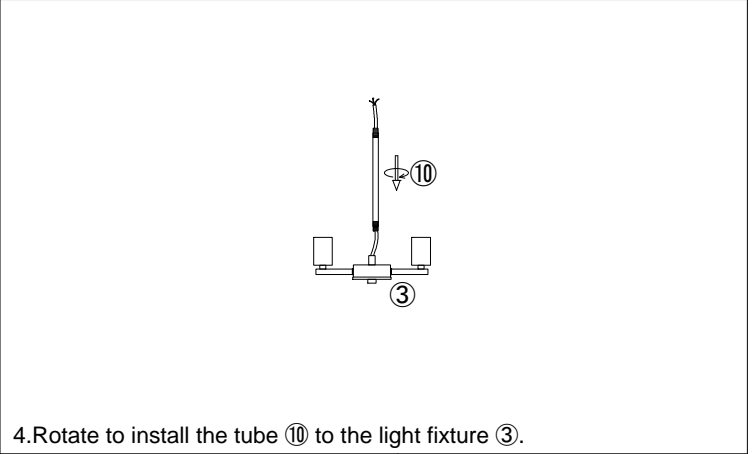


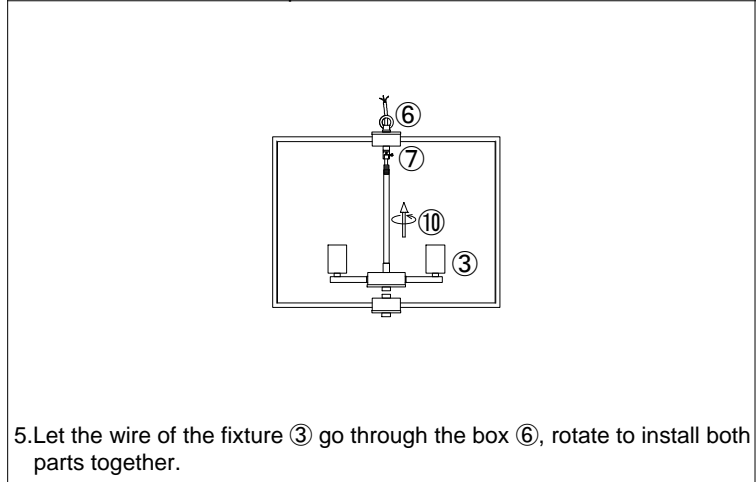
<p>lock nut</p>  <p>square metal profile 6pcs</p>	<p>metal ring 1pcs</p> 	<p>④ ④ hanging ring ⑤ ⑤ cover ⑥ ⑥ connected box ⑦ ⑦ universal joint</p>	<p>hanging tube 1pcs</p> 	<p>chain 1pcs</p> 	<p>X 1pcs</p>  <p>X 1pcs</p>  <p>X 3pcs</p>  <p>X 3pcs</p>  <p>X 3pcs</p>  <p>X 1pcs</p> 
<p>①</p>	<p>light fixture 1pcs</p> 	<p>⑧ ⑧ screw ⑥ ⑥ connected box ⑤ ⑤ cover ⑨ ⑨ end cap</p>	<p>⑪ ⑪ canopy ⑫ ⑫ cap nut</p> 	<p>⑬</p> <p>screw 3pcs</p> 	



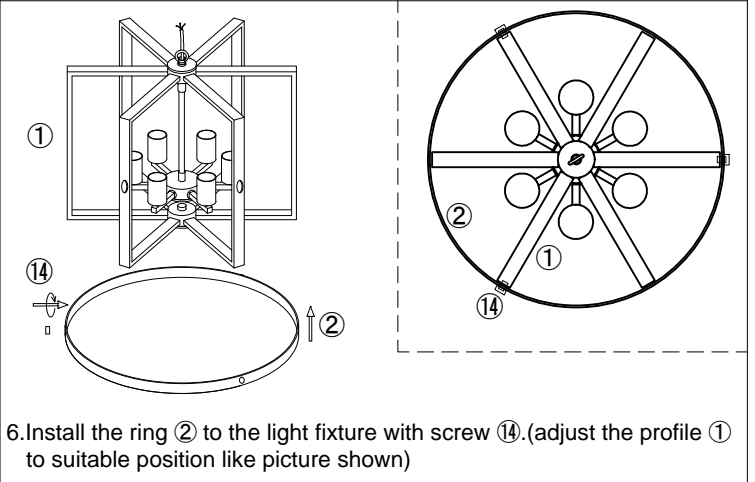
1. Install the profile ① to the connected box ⑥ with lock nut. (please mind the orientation of the connected box ⑥ up and down)
2. Use universal joint ⑦ and ring ④ to close cover ⑤ to the upper box ⑥.
3. Use screw ⑧ and end cap ⑨ to close cover ⑤ to the bottom box ⑥.



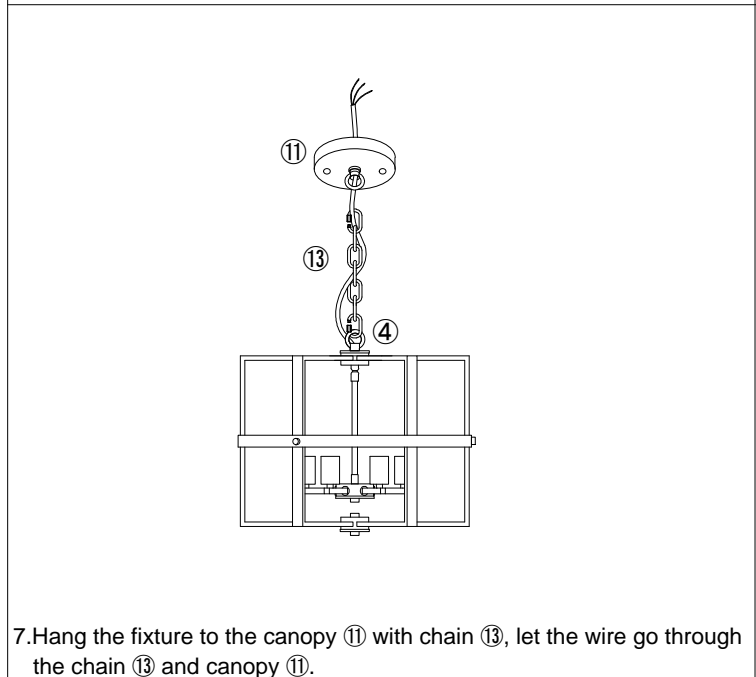
4. Rotate to install the tube ⑩ to the light fixture ③.



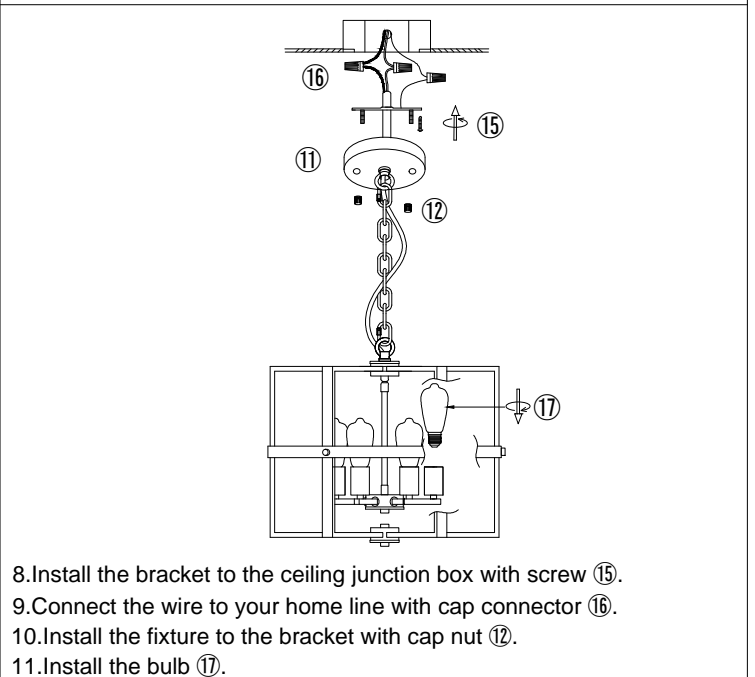
5. Let the wire of the fixture ③ go through the box ⑥, rotate to install both parts together.



6. Install the ring ② to the light fixture with screw ⑭. (adjust the profile ① to suitable position like picture shown)



7. Hang the fixture to the canopy ⑪ with chain ⑬, let the wire go through the chain ⑬ and canopy ⑪.



8. Install the bracket to the ceiling junction box with screw ⑮.
9. Connect the wire to your home line with cap connector ⑯.
10. Install the fixture to the bracket with cap nut ⑫.
11. Install the bulb ⑰.

Please read carefully before installation!!!

Note : Please make sure that the electricity is powered off during installation !Only a professional electrician should install this kind of product !