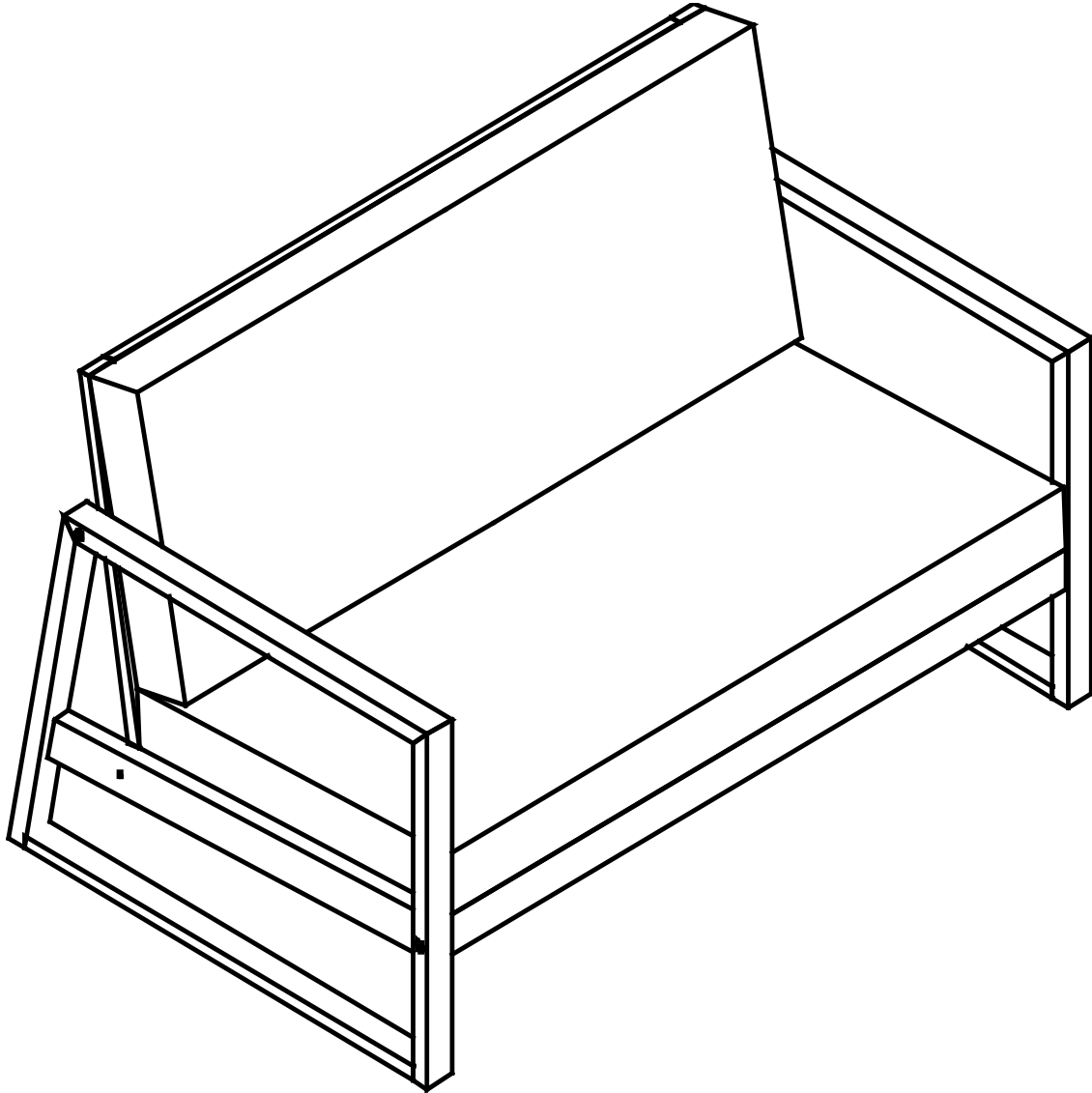


Assembly Instructions

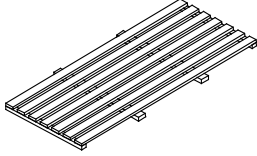
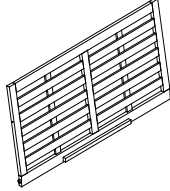
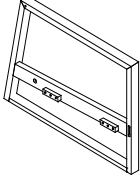
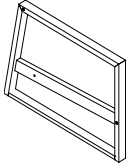
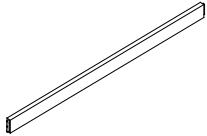
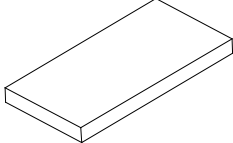
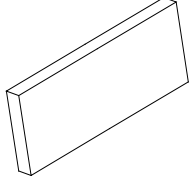
Caution: You must read this before you proceed

Loveseat






Caution: This Loveseat is NOT a TOY.
Keep your child/children at bay during the assembly process.
Whenever moving/lifting the Bench II and to prevent damage to the
Loveseat, two adults are required to execute these actions.

Part List

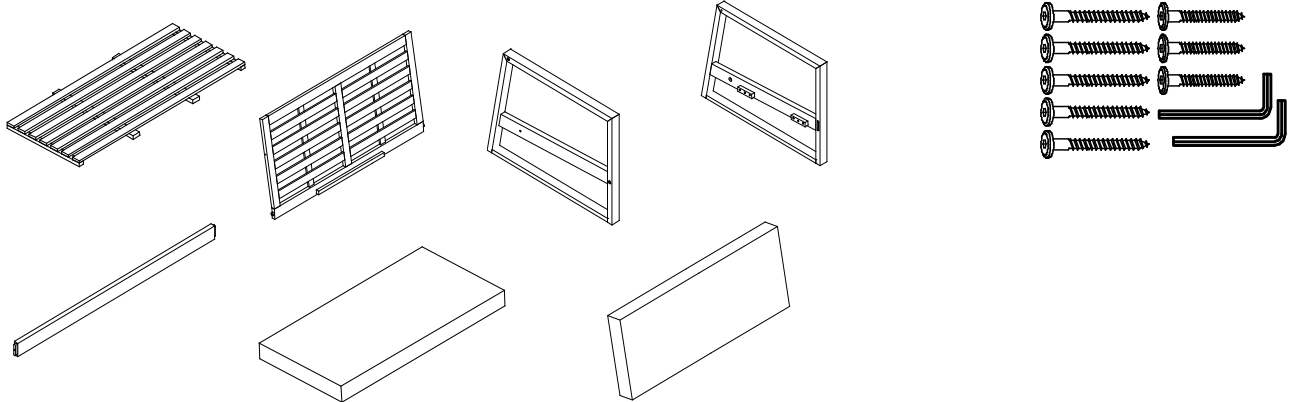
Label	Picture	Description	Qty
C		Seat Panel	1
D		Backrest Panel	1
E		Right Leg Panel	1
F		Left Leg Panel	1
G		Support Bar	1
H		Seat Cushion	1
I		Back Cushion	1

Hardware

No.	Picture	Description	Qty
③		Screw (M7x80mm)	5
④		Screw (M7x60mm)	3
②		Allen Key	2

Assembly Preparation

Before Beginning Assembly:



Read instructions, cover to cover.



Have 2 adults on hand for assembly.



Do not assemble on flooring or carpet.



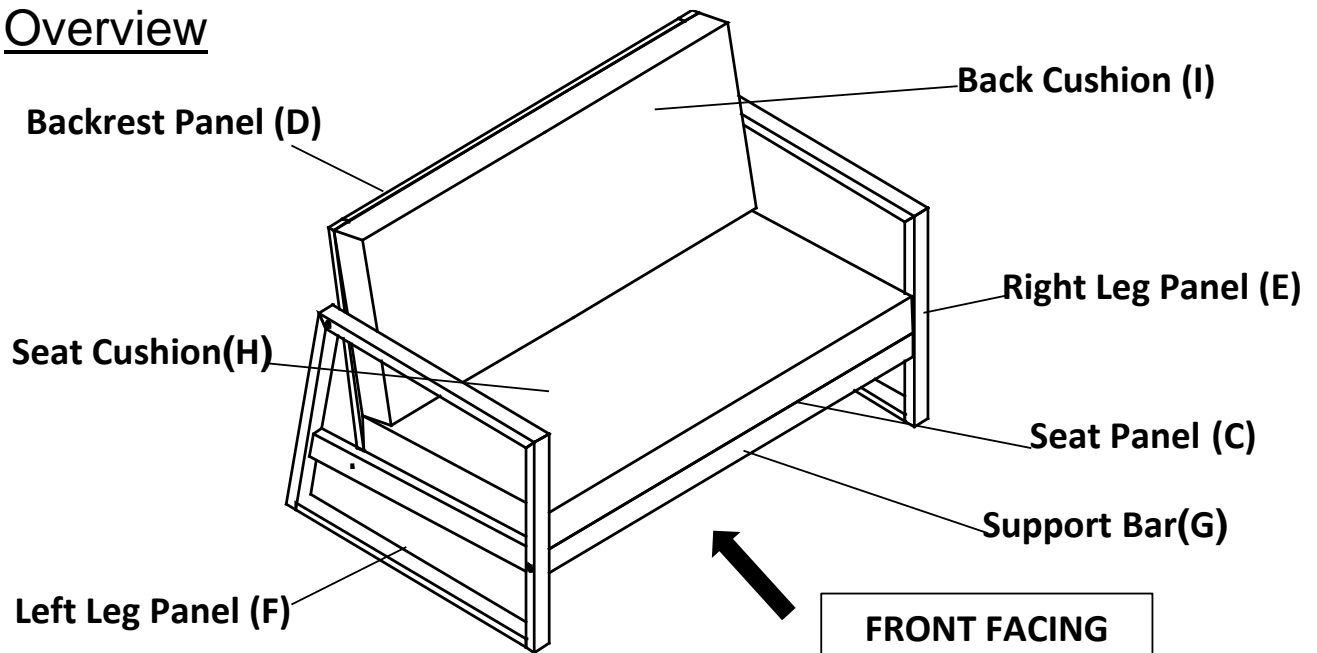
Assemble on a clean non-marring surface (packing foam).



Save all packaging until finished.

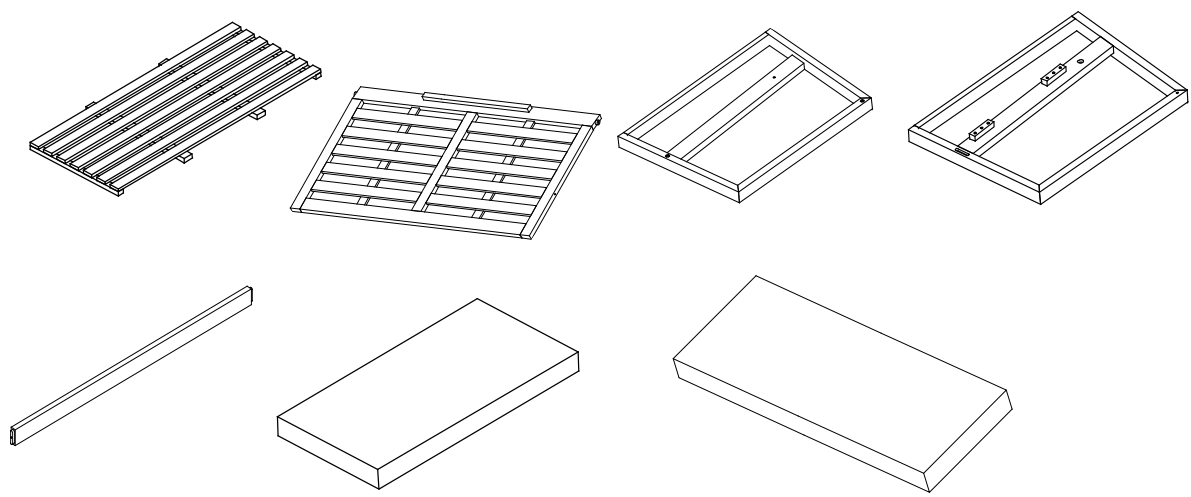
Assembly Steps

Overview



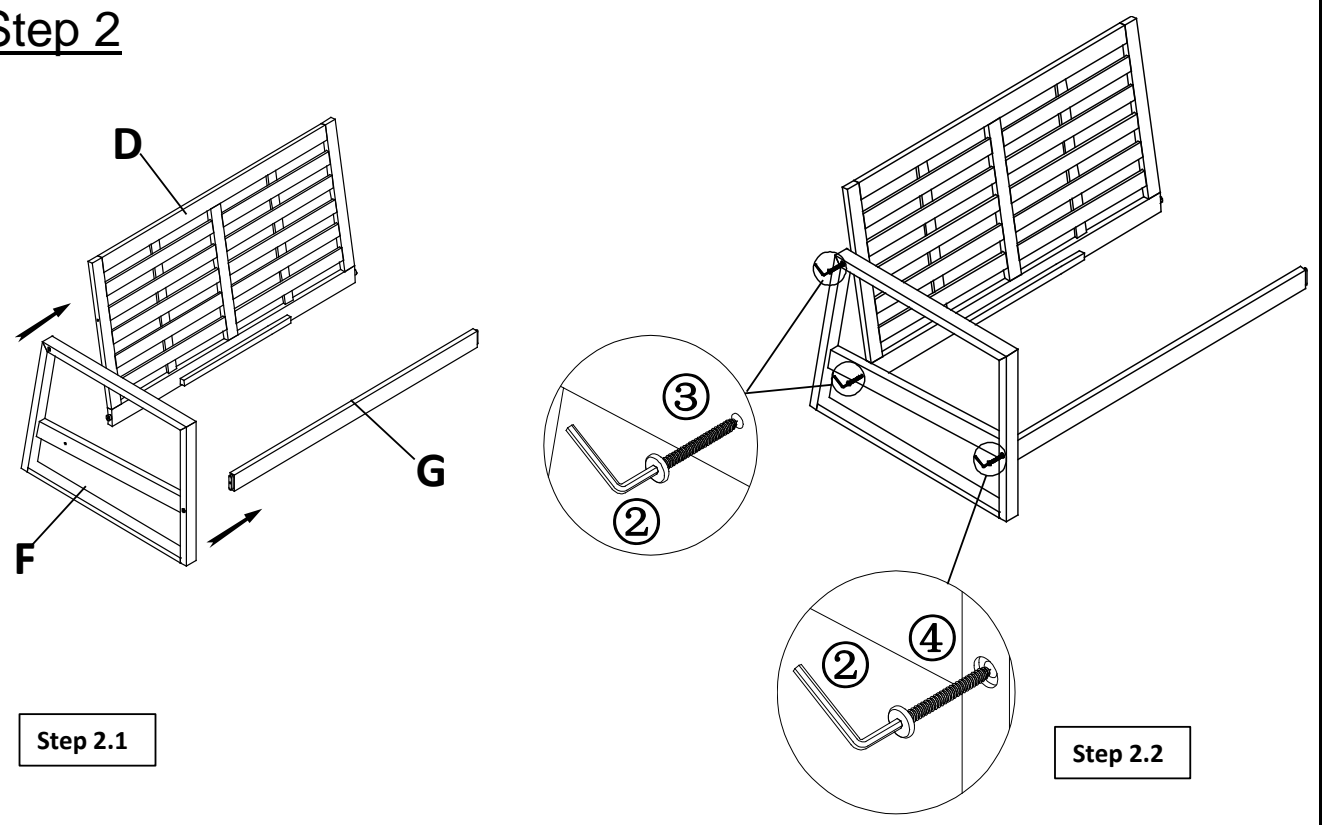
This Bench II has multiple parts and may require up to 30 minutes to assemble. To give you an overview of the Loveseat parts, the above picture is to help you put the various parts into perspective. Please read through the instructions below to familiarise yourself with the parts and steps before assembly.

Step 1



Unpack and place all parts on a clean, non-marring surface.

Step 2



Step 2.1

Step 2.2

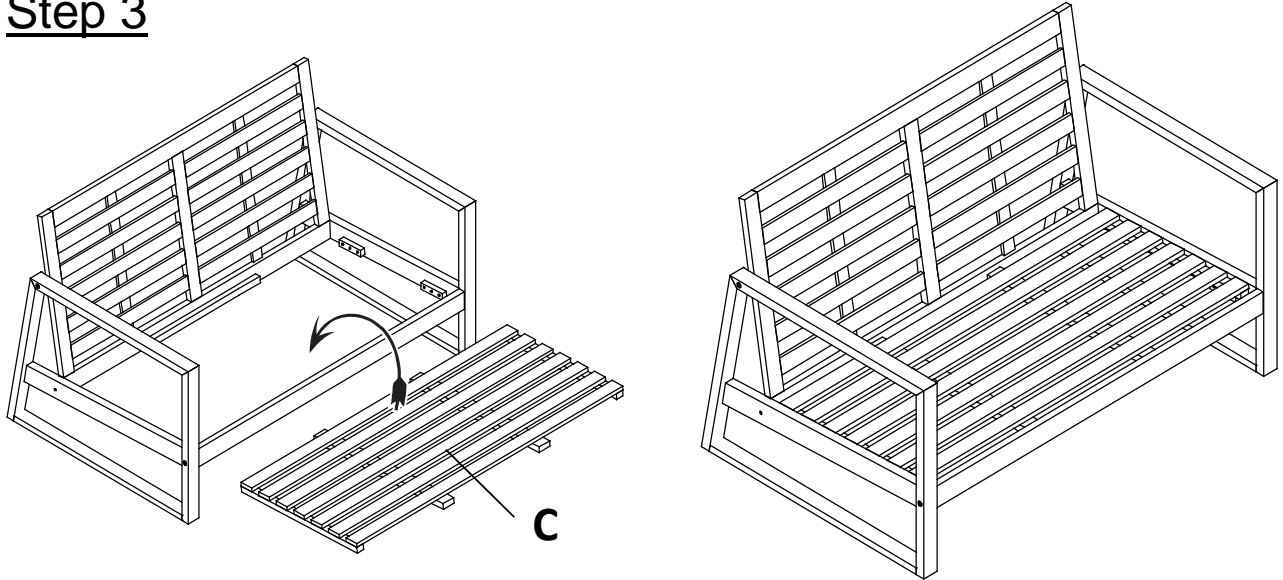
2.1 With the help of your adult partner, insert tenons of Left Leg Panel (F) into the mortises of Backrest Panel (D) and Support Bar (G) as shown above.

2.2 Secure the Left Leg Panel (F) to Backrest Panel (D) and Support Bar (G) using Screw (③,④) with Allen Key (②) as shown in picture above.

Repeat the same process of Right Leg Panel (E)

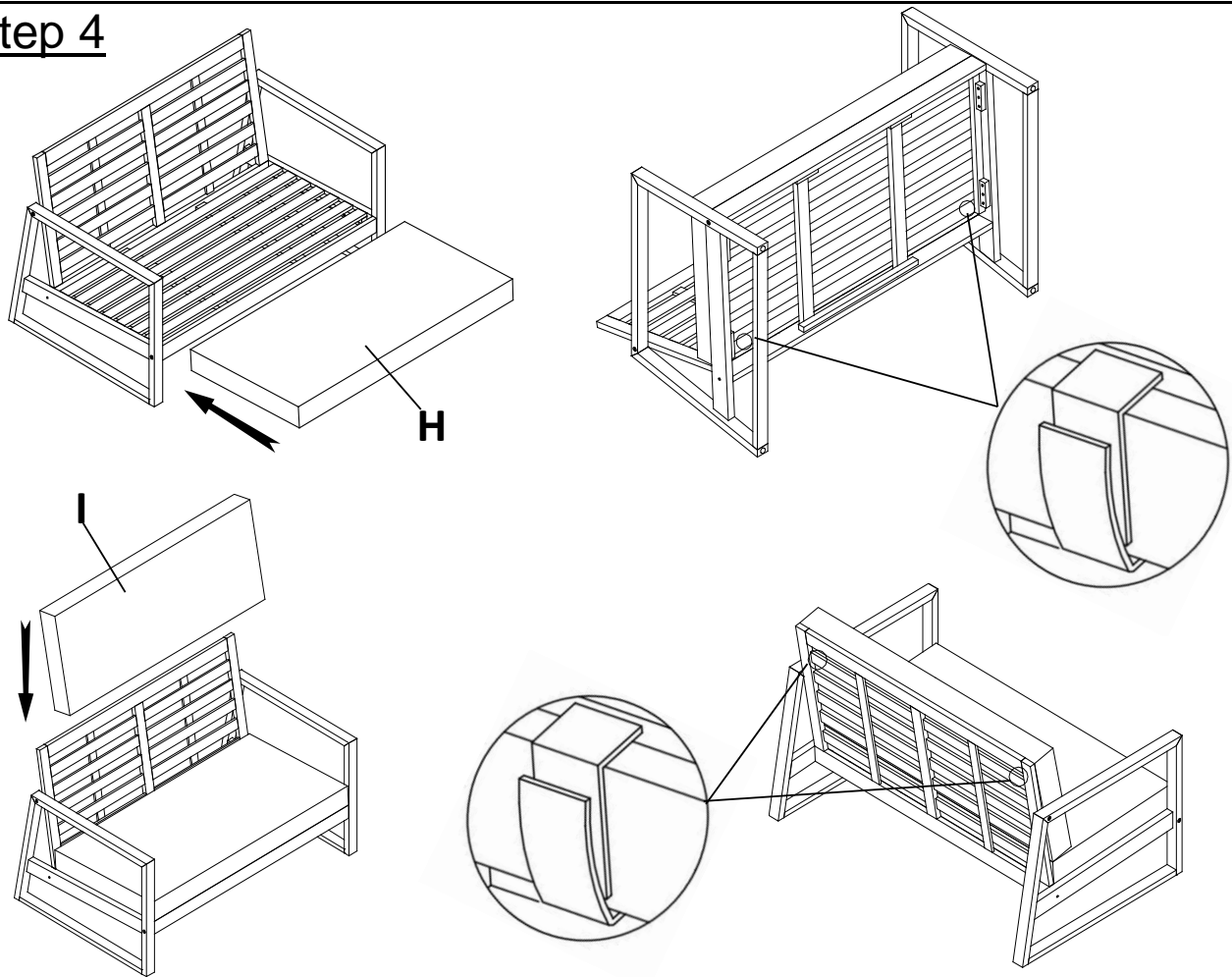
Do not fully tighten the Screws.

Step 3



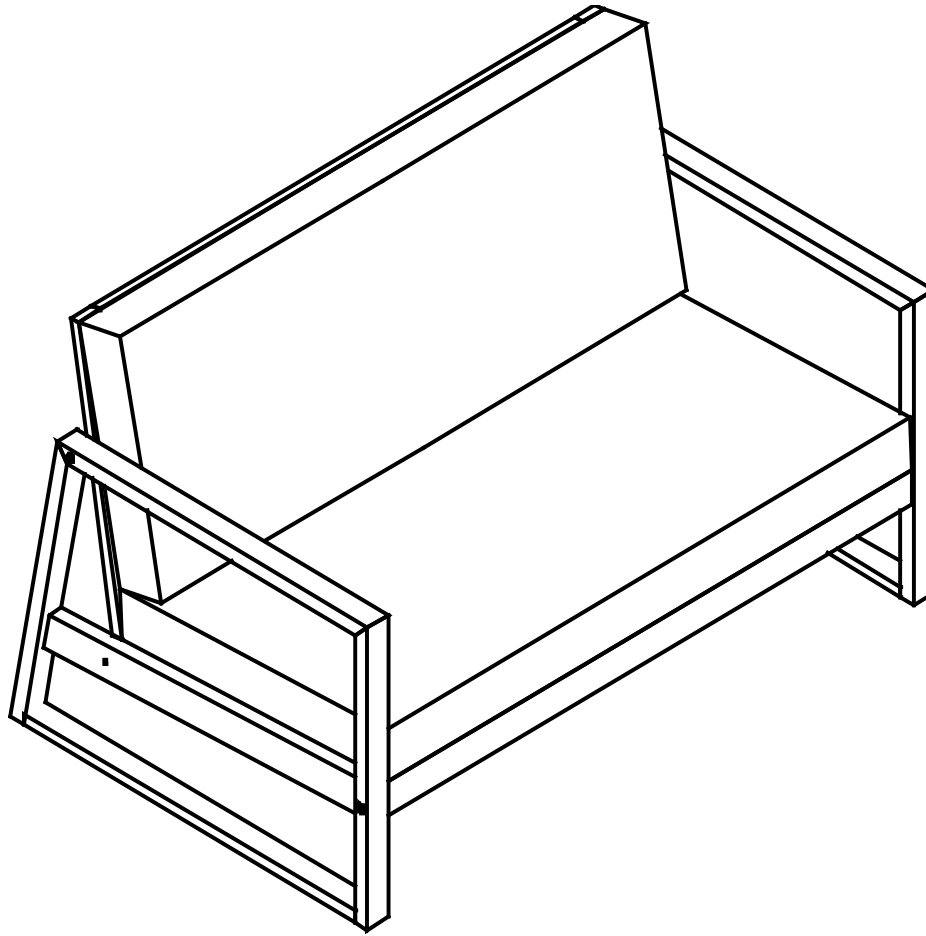
Insert Seat Panel (C) into assembled on step 2 as shown in picture above.

Step 4



Place Seat Cushion(H) and Back Cushion(I) onto the Bench II, turn the Bench II down and tie the velcro straps of the Back Cushion (H) to the Backrest Panel (D) as shown above

Step 4












Then EXERT pressure, floorwards onto the Loveseat with both hands.
This pressure will help the Loveseat reach full alignment at all joints.
In a sequential manner, gradually tighten all Screws at all joints until evenly secured.
Inspect the Loveseat and make sure all parts are adequately connected.

Your Loveseat is ready for use.

This Loveseat can only be used on a flat, level surface.

Care & Maintenance

-  ● Do not put hot items directly on furniture surface
 -  ● Do not clean furniture with harsh cleansers or polish.
 -  ● To obtain the longest lifespan of your outdoor products, minimizing exposure to direct sunlight is recommended.
 -  ● Children should not climb or jump on the furniture.
 -  ● Do not write on furniture without a padded barrier to protect the surface.
 -  ● To obtain the longest lifespan of your outdoor products, avoid extended and lengthy exposure to rain, snow, and direct sunshine. Whenever possible cover the product and /or place under patio or awnings.
 -  ● Not for commercial use. For residential use only .
 -  ● Stains may be removed with mild soap solution and damp cloth.
-
-  ● Dust and pick-up spills using a clean, non-colored, lint-free cloth .