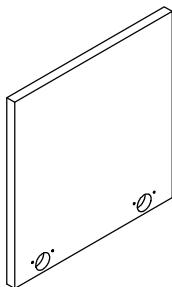
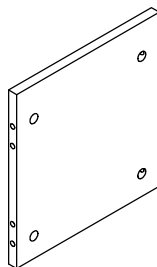


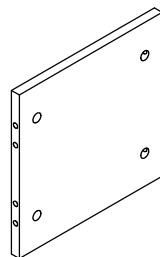
Ax2



Bx2



Cx2  
 $\frac{270 \times 285}{10.6 \times 11.2}$



Dx2  
 $\frac{270 \times 268}{10.6 \times 10.6}$



Ex16



Fx16



Gx4



Hx24



Ix2



Jx2

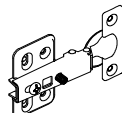


Kx16

$M4 \times \frac{30}{1.2}$   $M3.5 \times \frac{15}{0.6}$



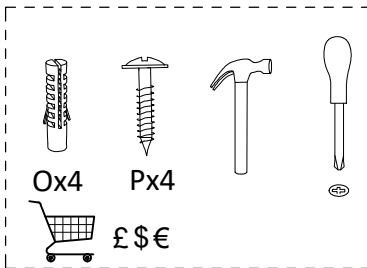
Lx2



Mx4



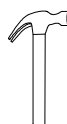
Nx10  
 $M3.5 \times \frac{12}{0.5}$



Ox4



Px4



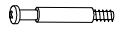
x2

mm  
inch

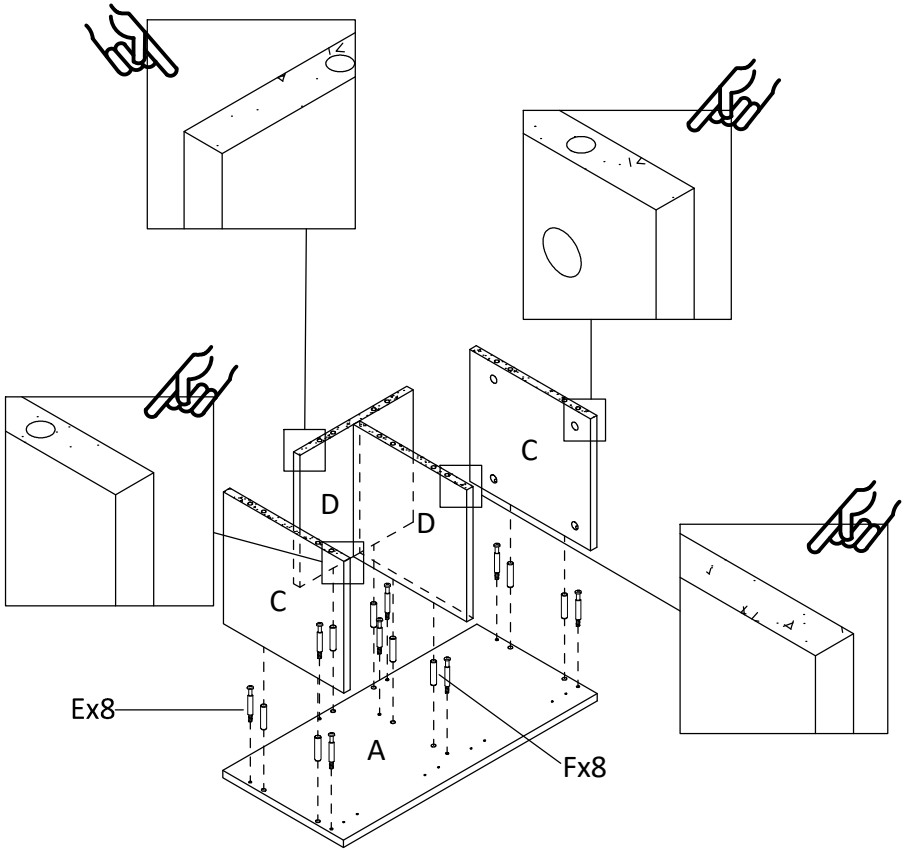
£ \$ €

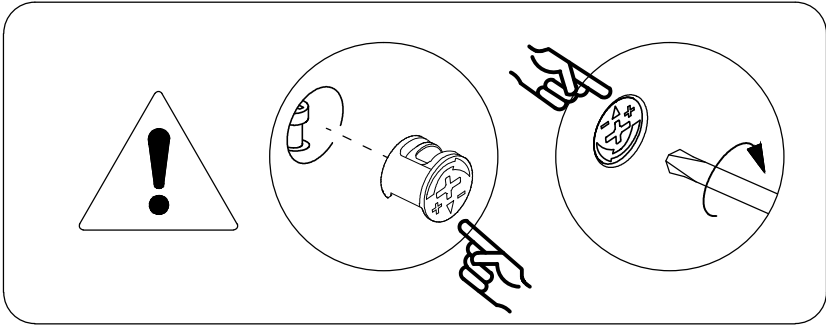
1

Ex8



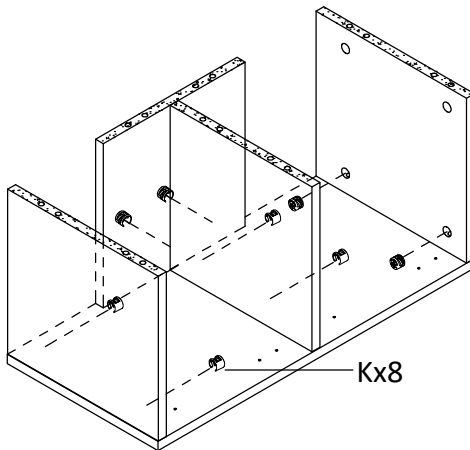
Fx8





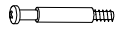
2

Kx8

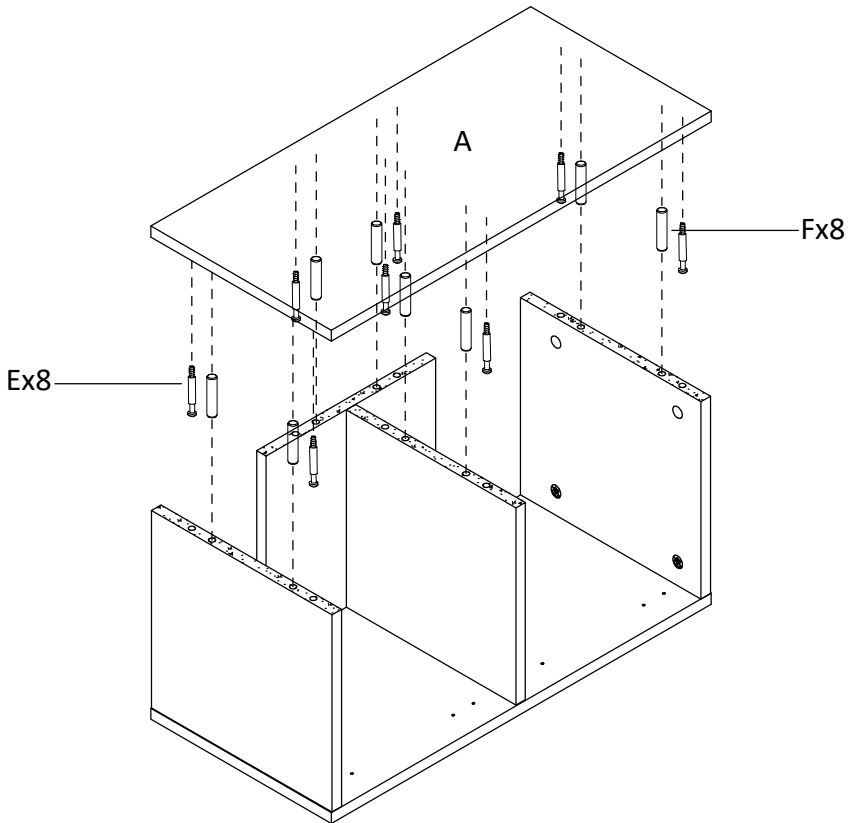


3

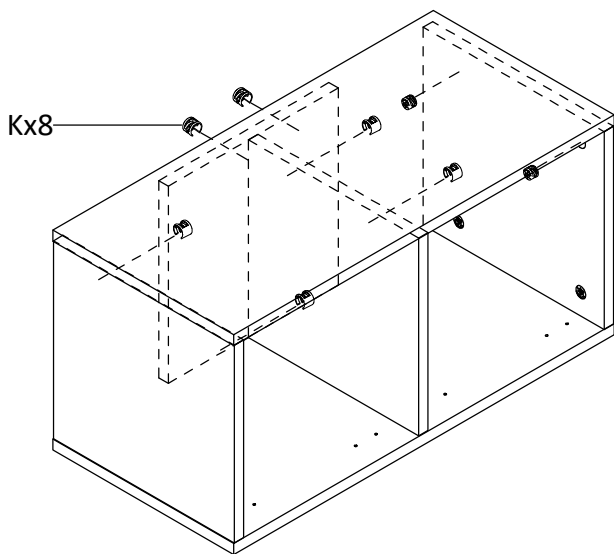
Ex8



Fx8



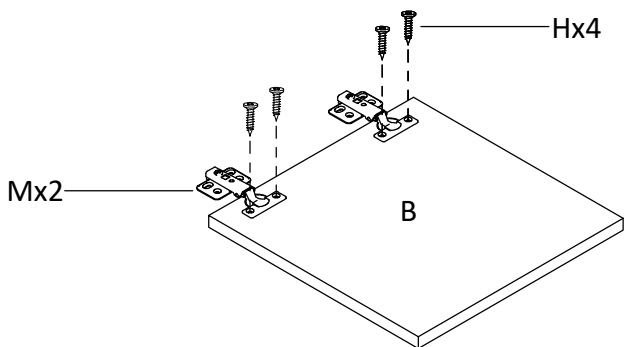
4



Kx8



5



Mx4

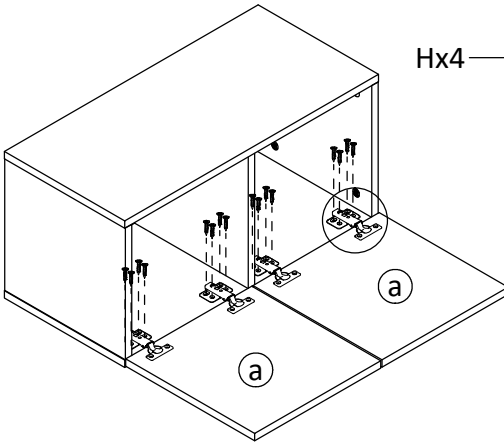


Hx8

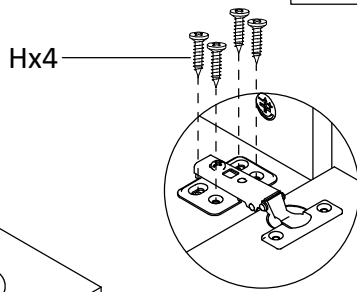
M3.5x  $\frac{15}{0.6}$

a x2

6

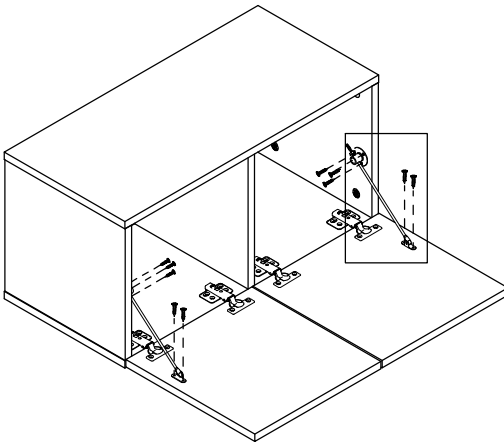


Hx16  
M3.5x  $\frac{15}{0.6}$



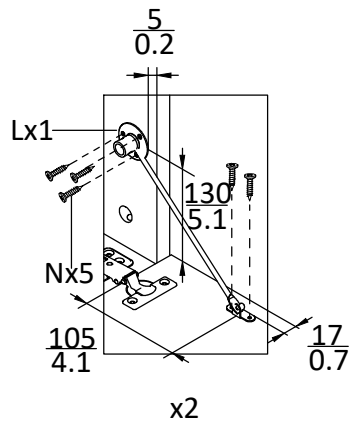
x4

7



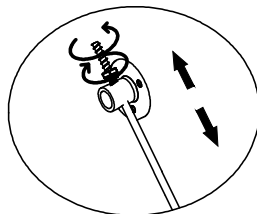
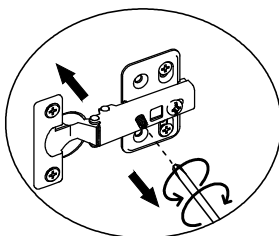
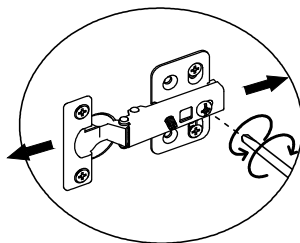
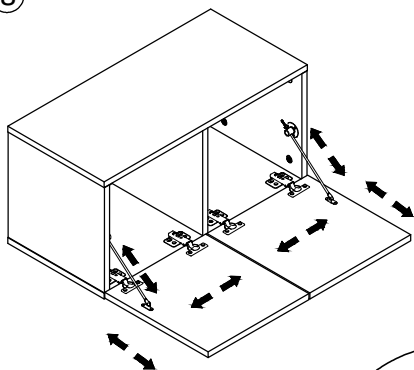
Lx2

Nx10  
M3.5x  $\frac{12}{0.5}$

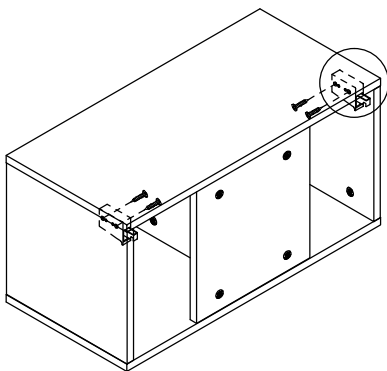


x2

8



9



Ix2

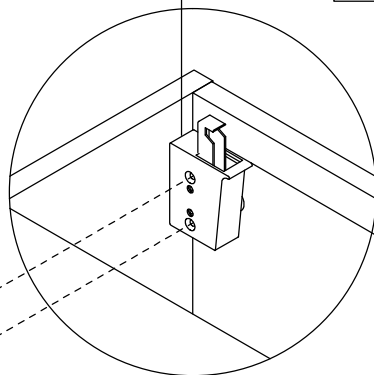


Gx4

M4x  $\frac{30}{1.2}$

Ix1

Gx2



x2

10

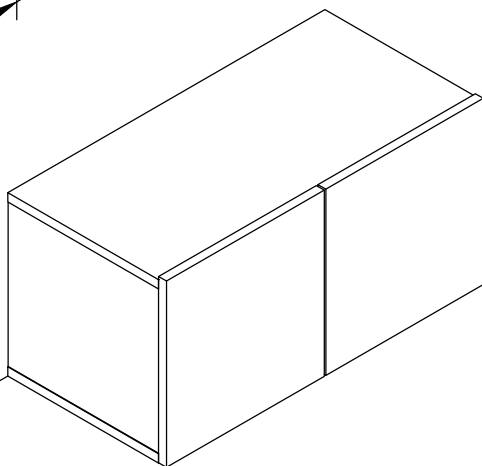
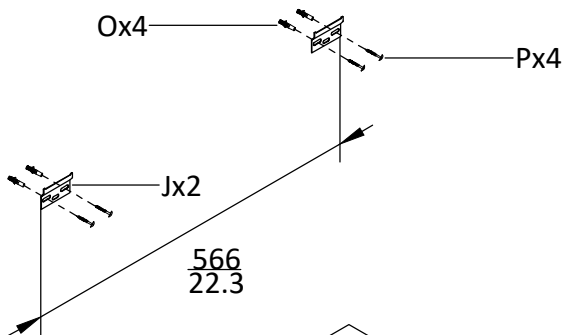
Ox4



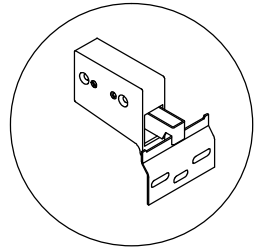
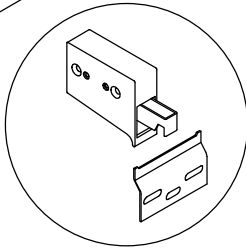
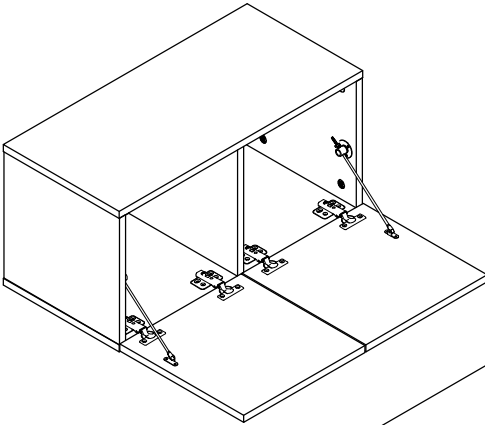
Px4



Jx2



11



12

