

# **INSTALLATION**

*Product Manual*



### **IMPORTANT INFORMATION!**

please read the entire manual before starting to assemble and/or using this product. follow the manual thoroughly and keep it for further reference.



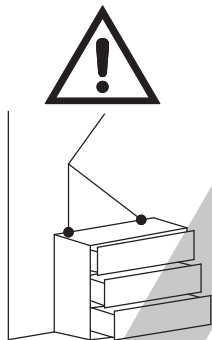
### **AVOID SCRATCHES!**

In order to avoid scratching this furniture should be assembled on a soft layer- could be a rug.



### **IMPROVE EFFICIENCY !**

Try to find a partner to install with you, which can speed up the installation efficiency and shorten the time.



### **ANTI-TOPPLE WARNING !**

Overturned furniture can cause serious or fatal crush injuries. To prevent tipping over, be sure to use the wall attachment, if not included with this product. Please purchase the wall attachment that fit your wall. If unsure, seek professional advice. Please read and follow each step of the instructions carefully.

### **IMPORTANT !**

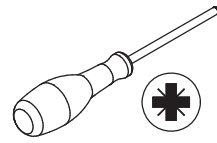
It is important that any product which is assembled using any kind of screw is re-tightened 2 weeks after assembly, and once every 3 months - in order to assure stability through-out the lifespan of the product.

For regular maintenance and cleaning of the product, for the frame, please use a rag dipped in neutral detergent to fully wipe it, and then dry it with a clean rag. For glass materials, wipe with a rag dampened with water glass cleaner, and then dry with a dry rag.

Do not use an electric screwdriver, and do not use too much force when installing, because the board is easy to break.

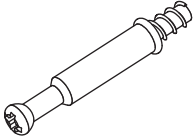


Please prepare the following tools




When installing, please carefully confirm whether each screw corresponds to the manual, accessories with similar shapes can be distinguished by size

A x 105



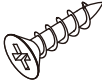
$\varnothing 6 \times 35 \text{ mm}$

B x 105



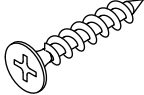
$\varnothing 9.5 \times 15 \text{ mm}$

C x 28



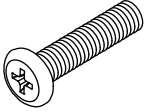
$\varnothing 3 \times 12 \text{ mm}$

D x 52




$\varnothing 3 \times 15 \text{ mm}$

E x 4




$\varnothing 4 \times 21 \text{ mm}$

F x 4

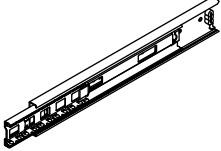


$\varnothing 4 \times 15 \text{ mm}$

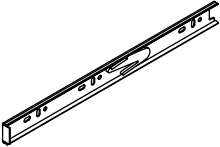
G x 8



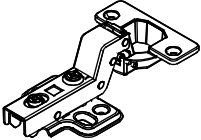
H x 4



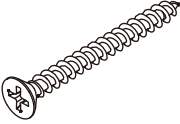
J x 4



K x 8




P x 12

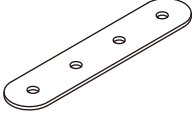


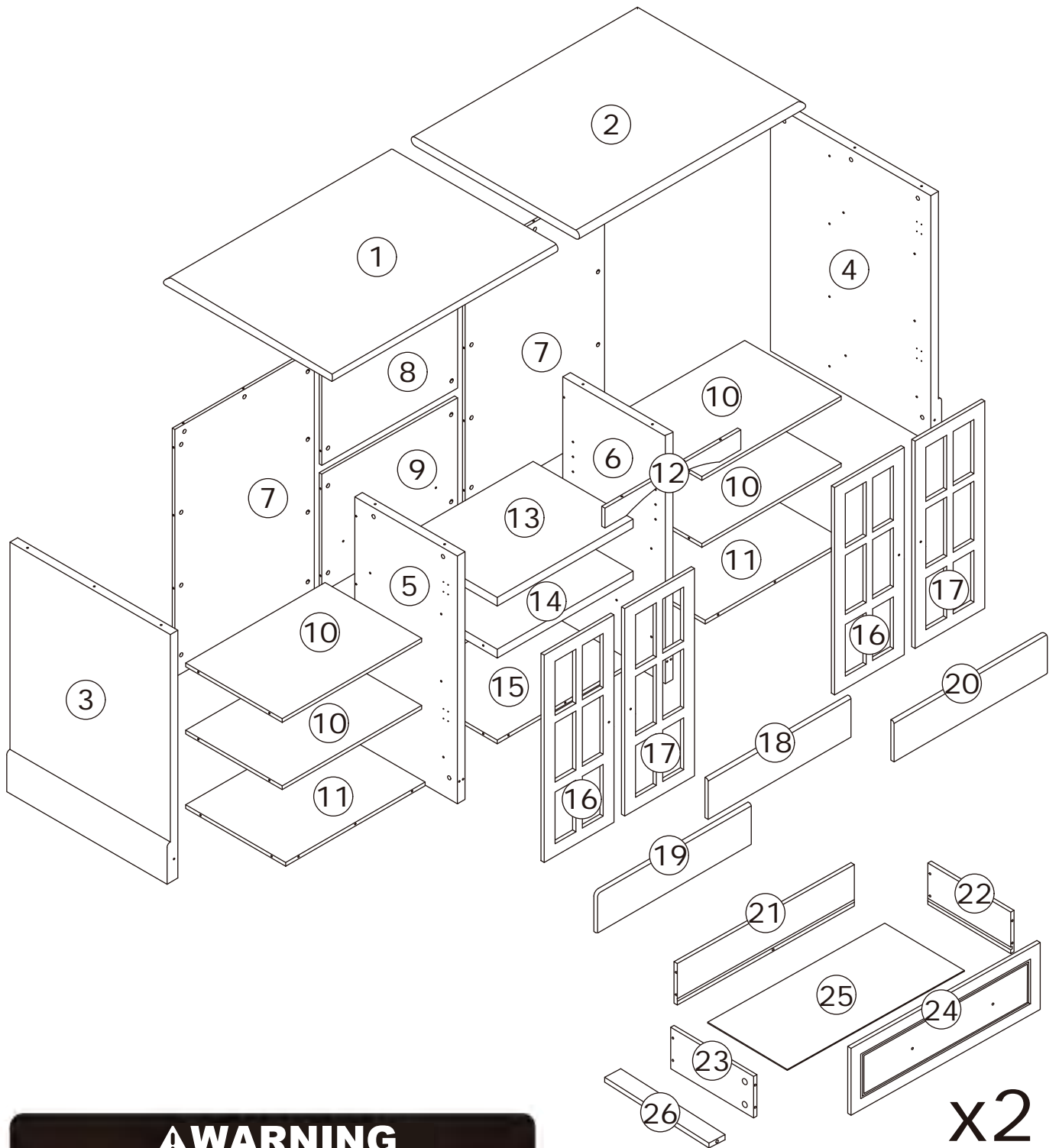
$\varnothing 3 \times 30 \text{ mm}$

Q x 4



R x 1





x2

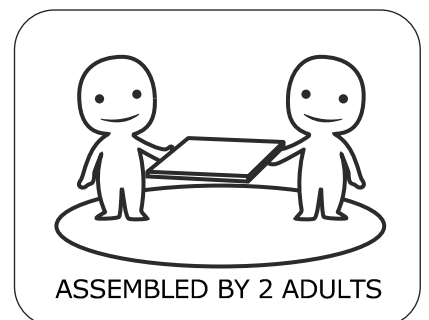
## ⚠ WARNING



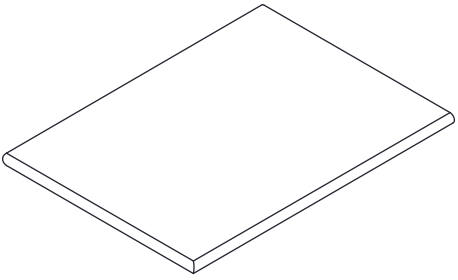
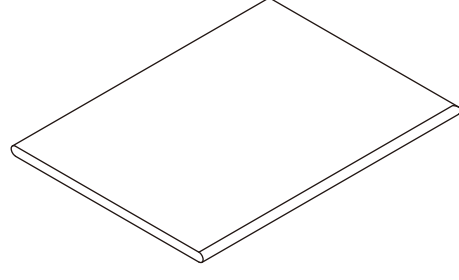
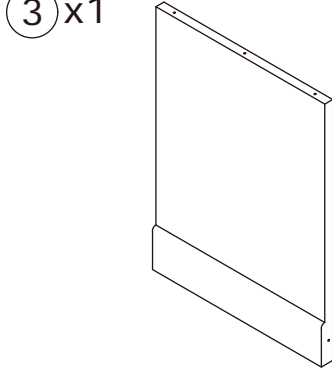
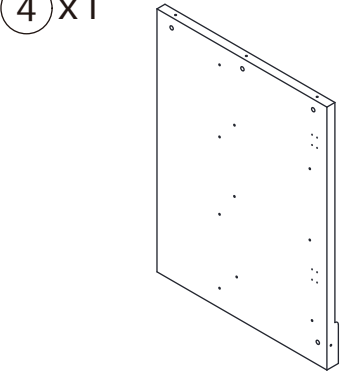
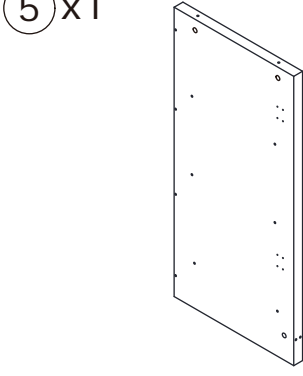
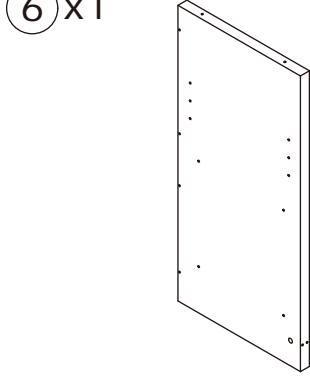
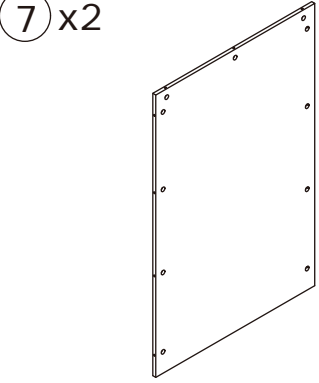
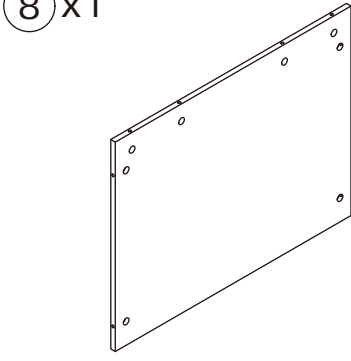
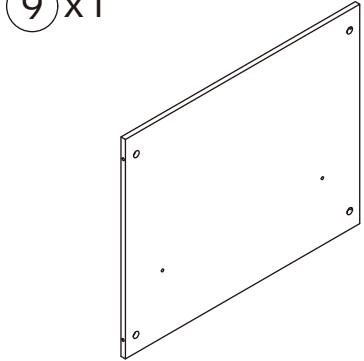
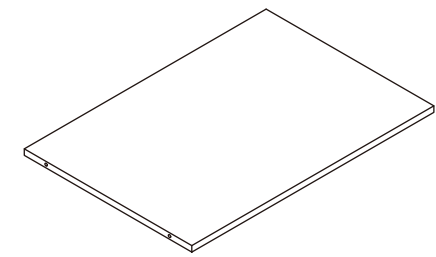
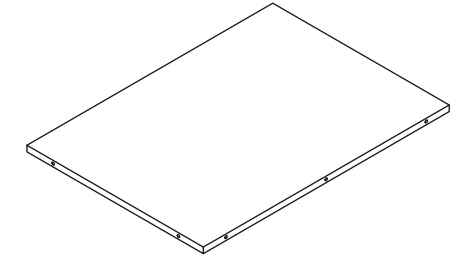
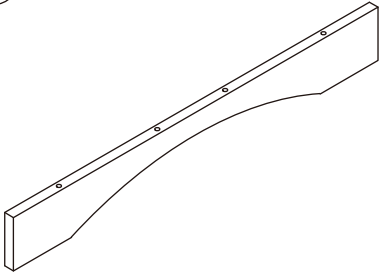
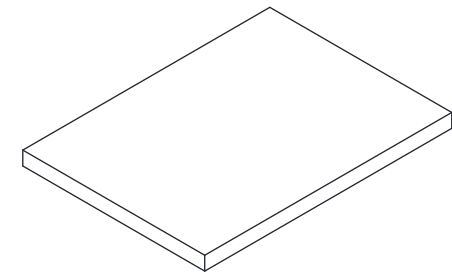
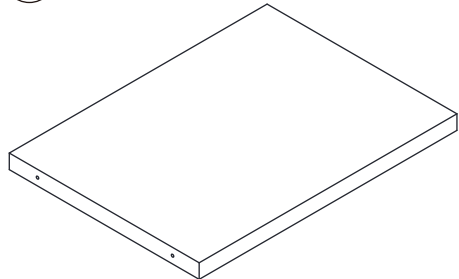
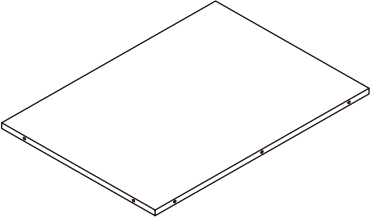
**Children have died from furniture tipover. To reduce the risk of furniture tipover:**

- ALWAYS install Anti-tip device provided.
- NEVER put a TV on this product.
- NEVER allow children to stand, climb or hang on drawers, doors, or shelves.
- NEVER open more than one drawer at a time.
- Place heaviest items in the lowest drawers.

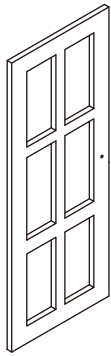
*This is a permanent label.  
Do not remove!*



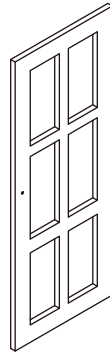
ASSEMBLED BY 2 ADULTS

<p>① x1</p> 	<p>② x1</p> 	<p>③ x1</p> 
<p>④ x1</p> 	<p>⑤ x1</p> 	<p>⑥ x1</p> 
<p>⑦ x2</p> 	<p>⑧ x1</p> 	<p>⑨ x1</p> 
<p>⑩ x4</p> 	<p>⑪ x2</p> 	<p>⑫ x1</p> 
<p>⑬ x1</p> 	<p>⑭ x1</p> 	<p>⑮ x1</p> 

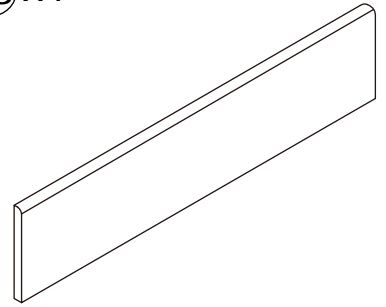
16x2



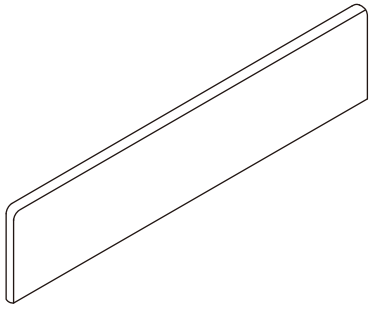
17x2



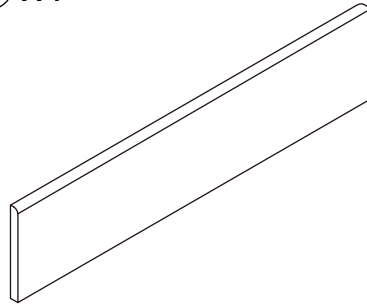
18x1



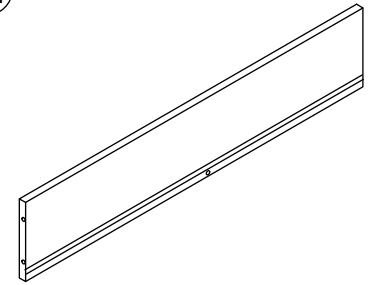
19x1



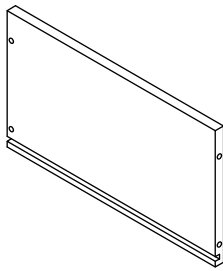
20x1



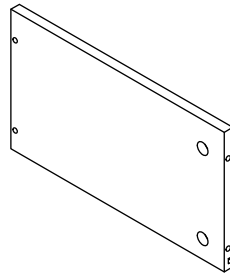
21x2



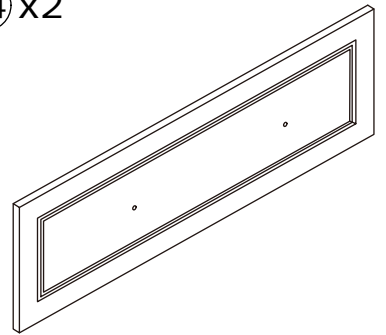
22x2



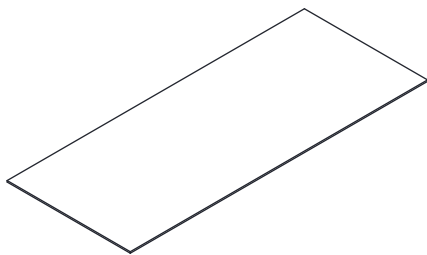
23x2



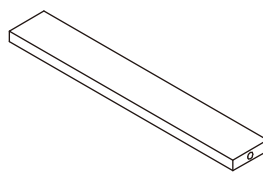
24x2

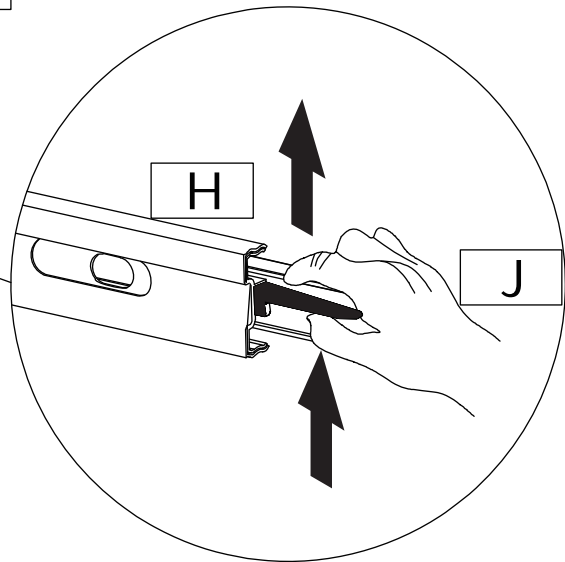
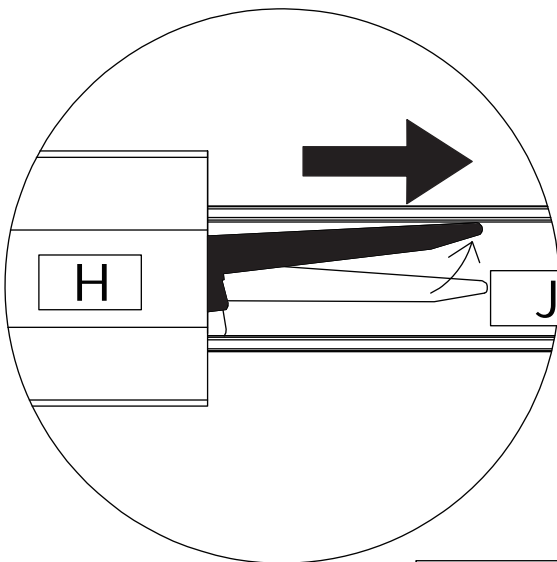
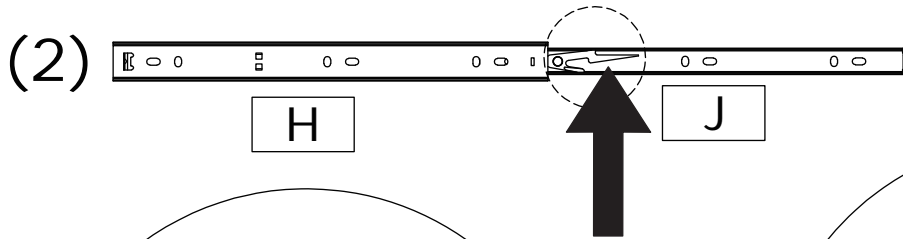
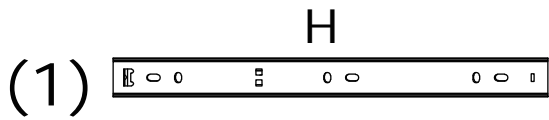


25x2

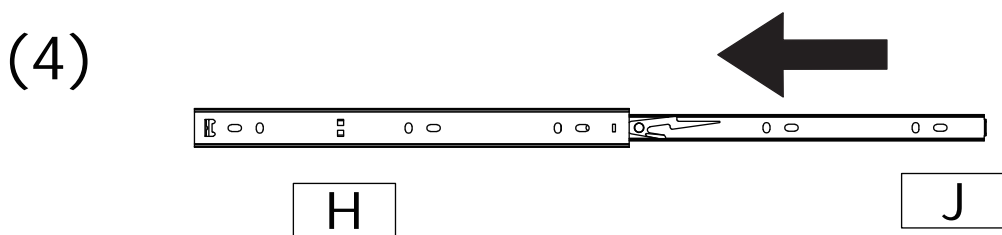
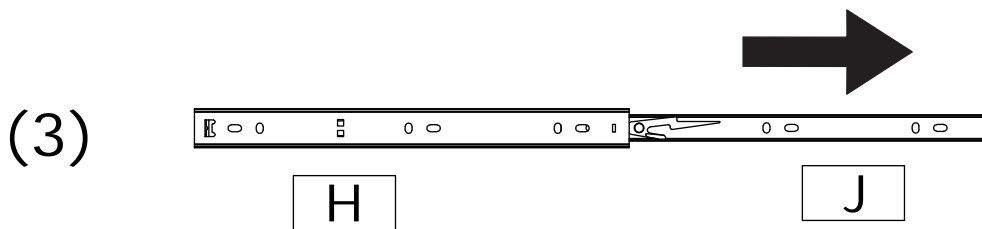


26x2

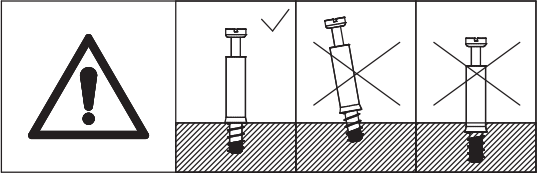
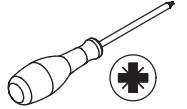
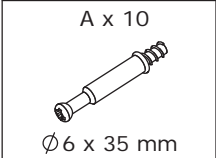




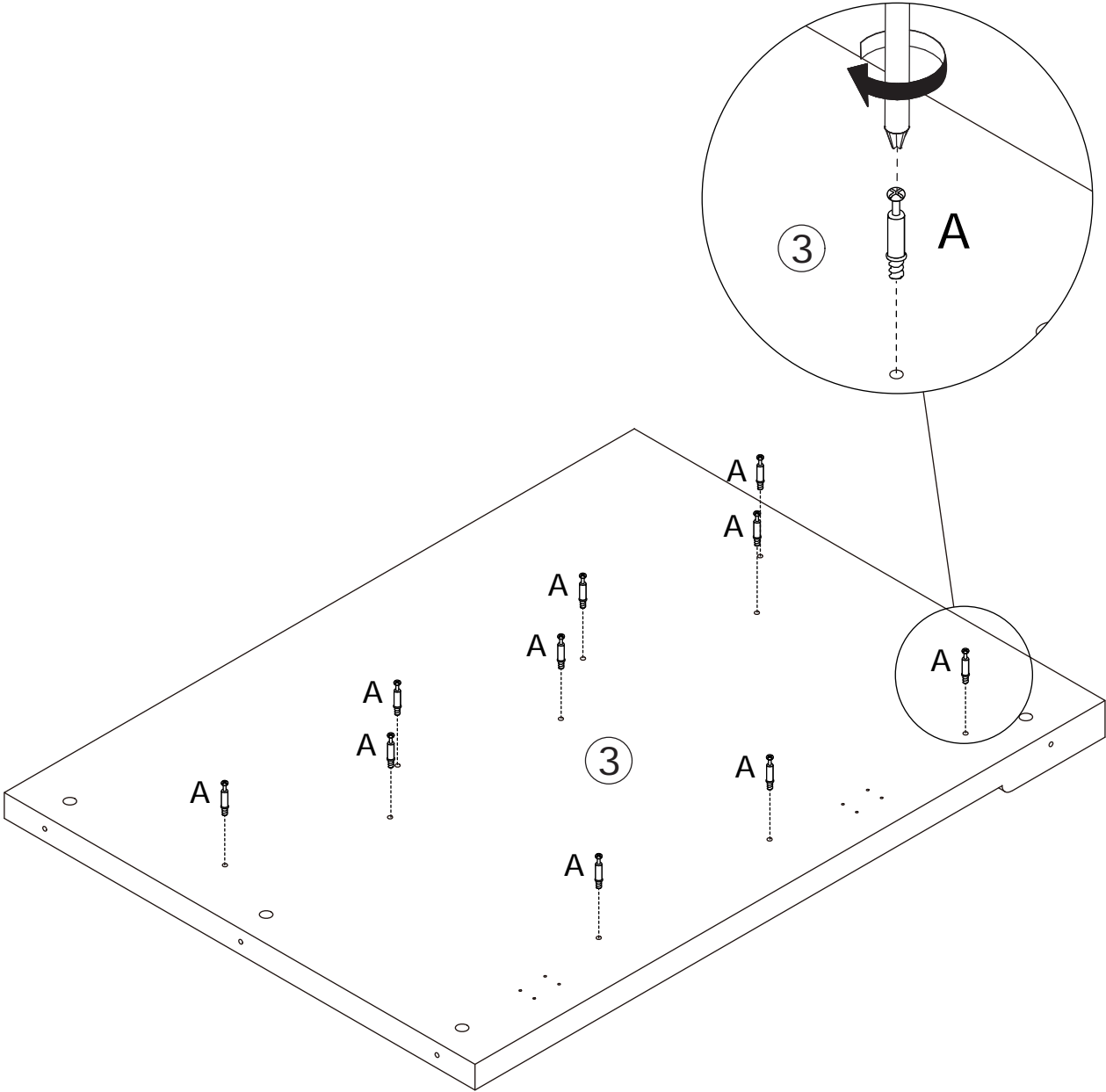
Move the black paddle upward and pull out (J) to the right.



1

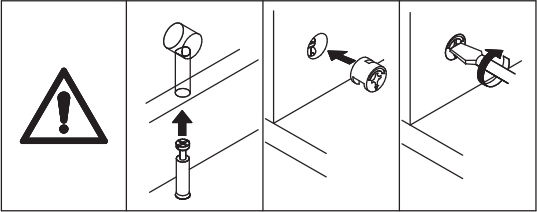
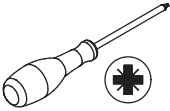


Screw eccentric rod (A) onto board 3 as shown.

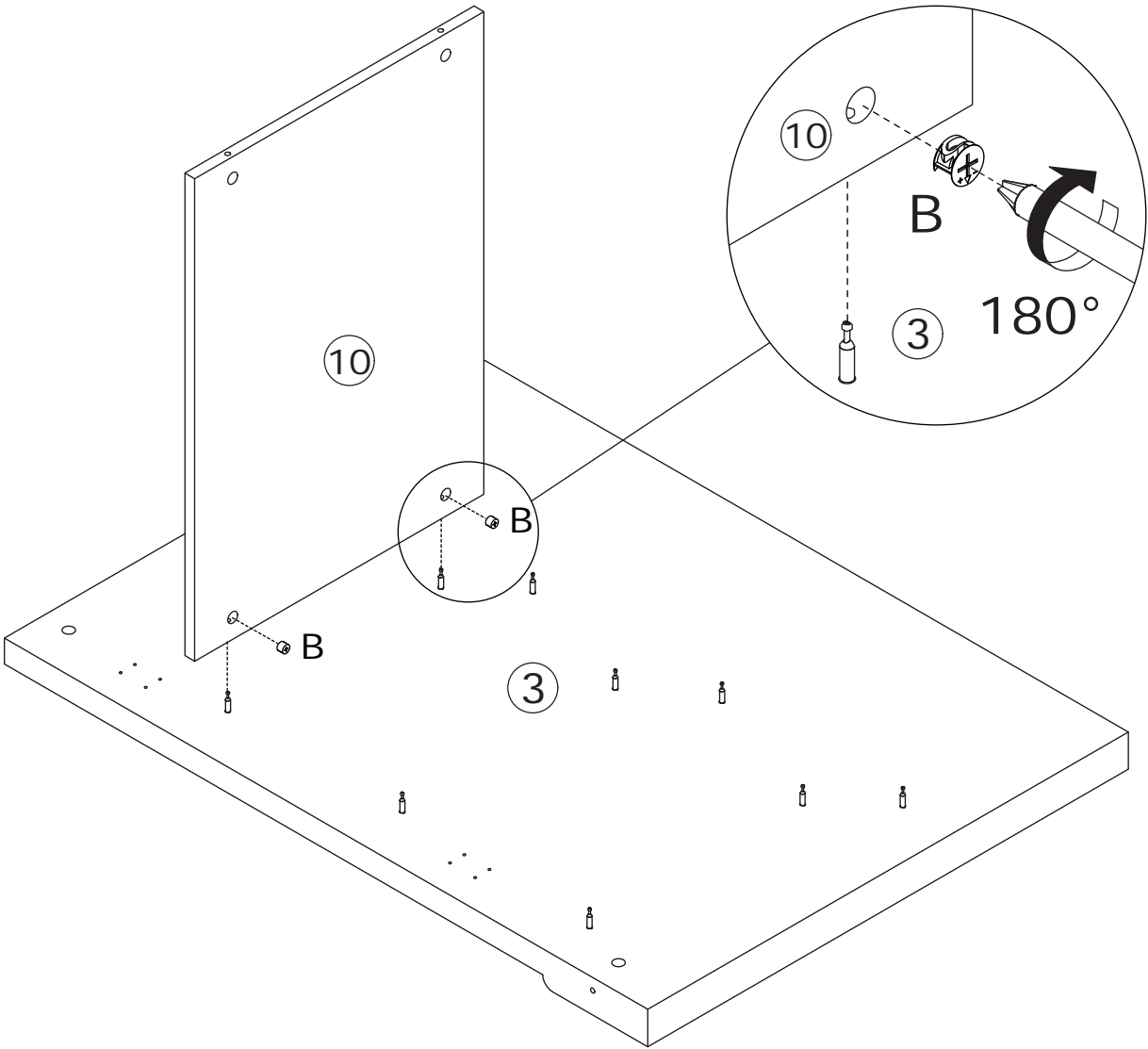


2

B x 2  
Ø9.5 x 15 mm

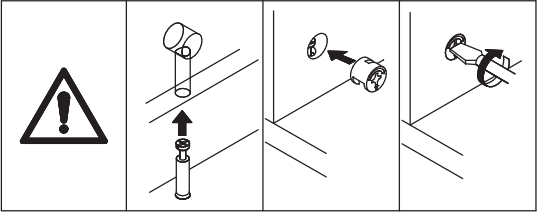


Connect board 3 to board 10, tighten by turning cam lock (B) clockwise as shown.

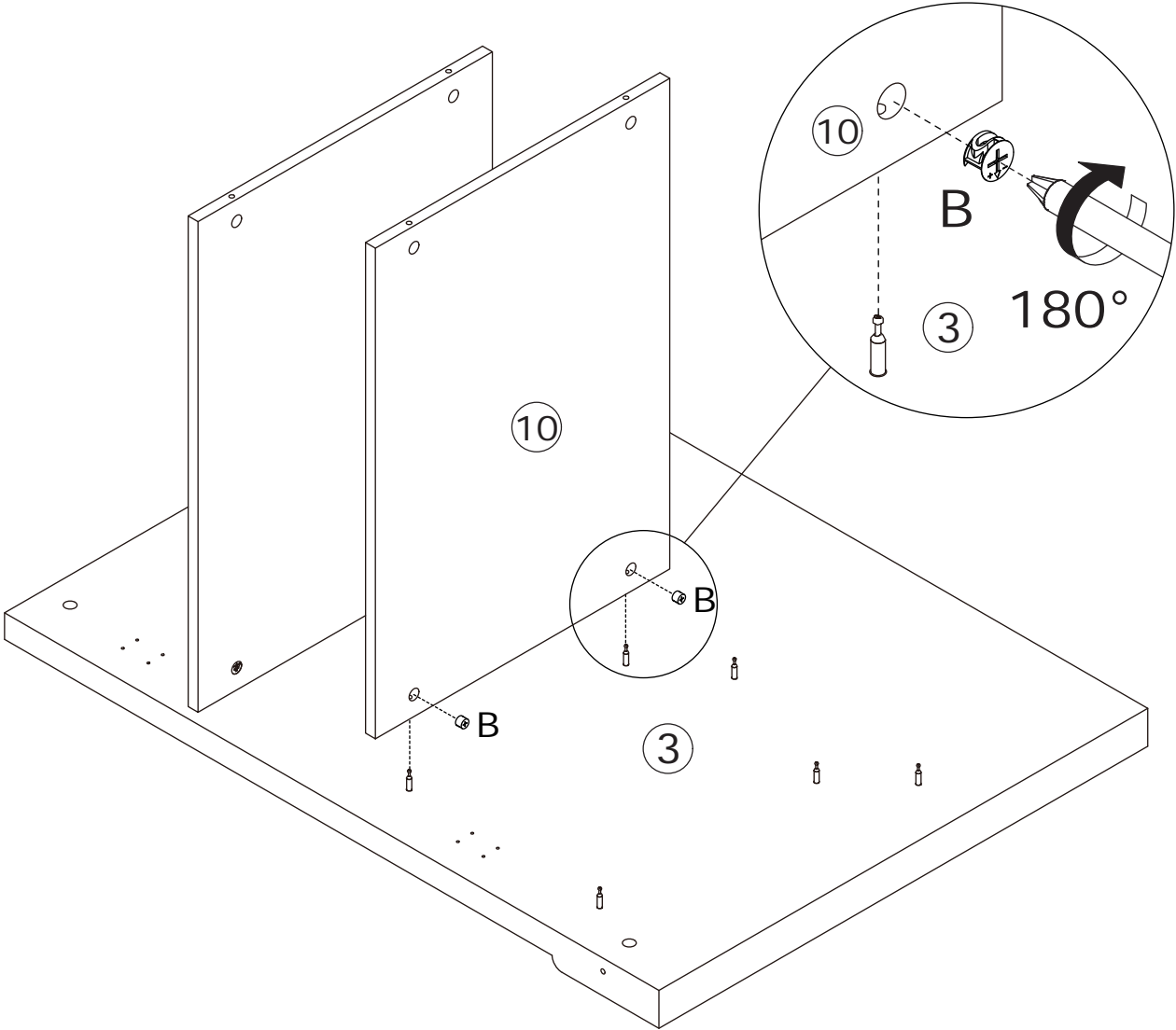


3

B x 2  
Ø9.5 x 15 mm

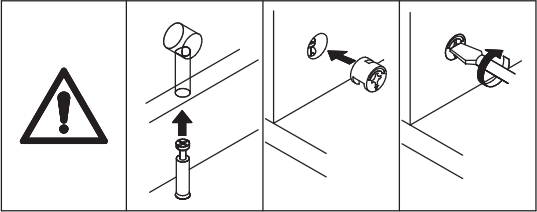


Connect board 3 to board 10, tighten by turning cam lock (B) clockwise as shown.

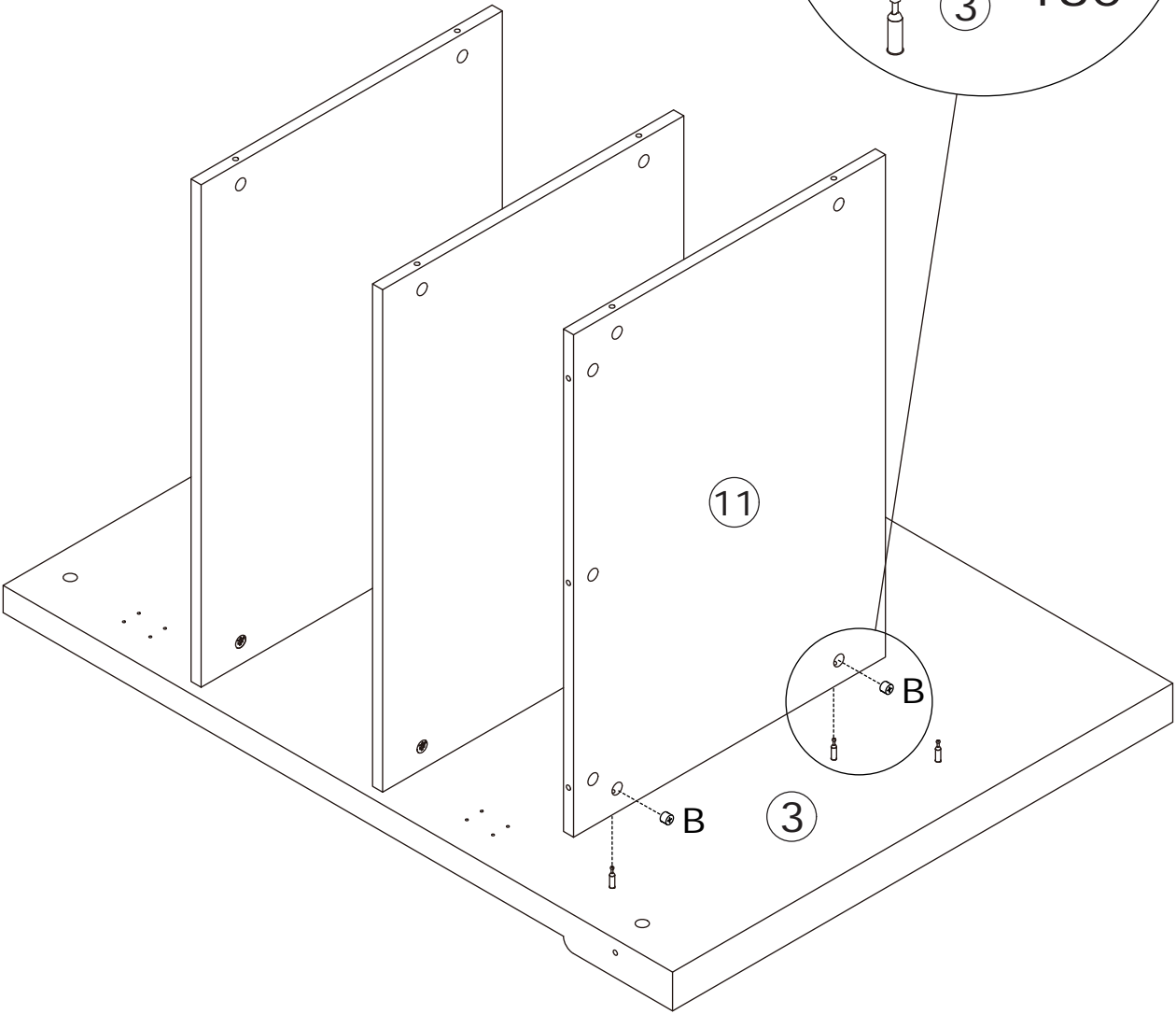
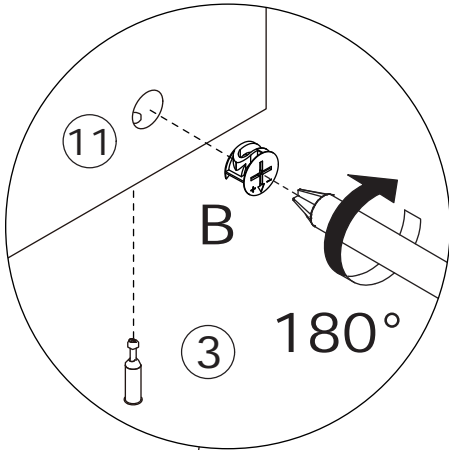


4

B x 2  
Ø9.5 x 15 mm

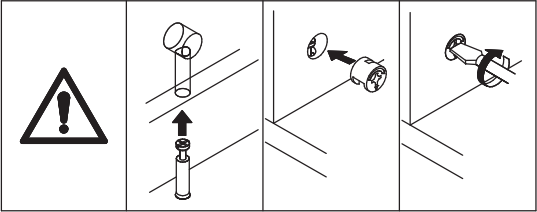
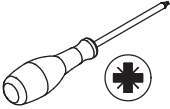


Connect board 3 to board 11, tighten by turning cam lock (B) clockwise as shown.

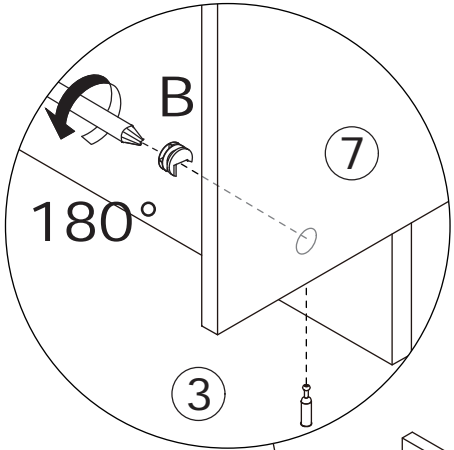


5

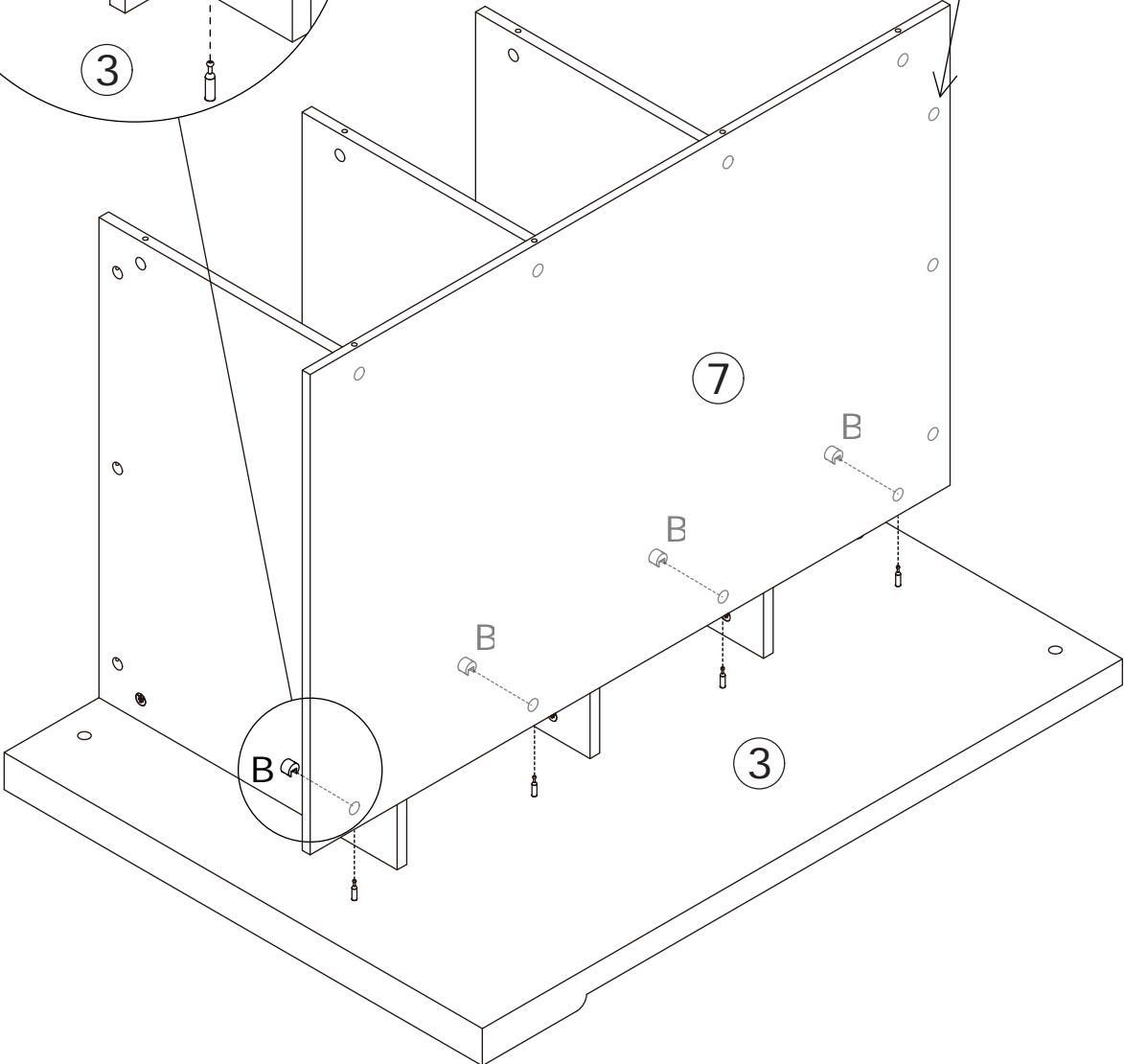
B x 4  
Ø9.5 x 15 mm



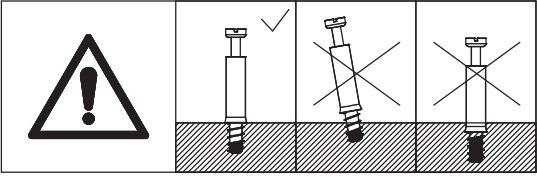
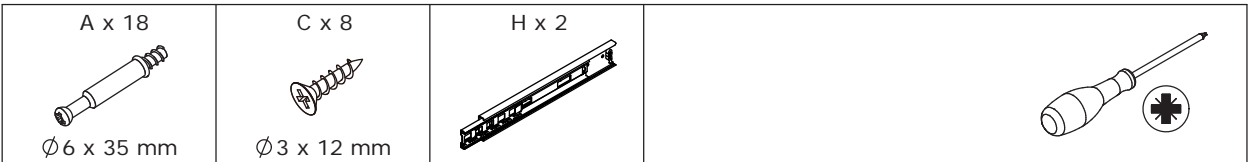
Connect board 7 to board 3, tighten by turning cam lock (B) clockwise as shown.



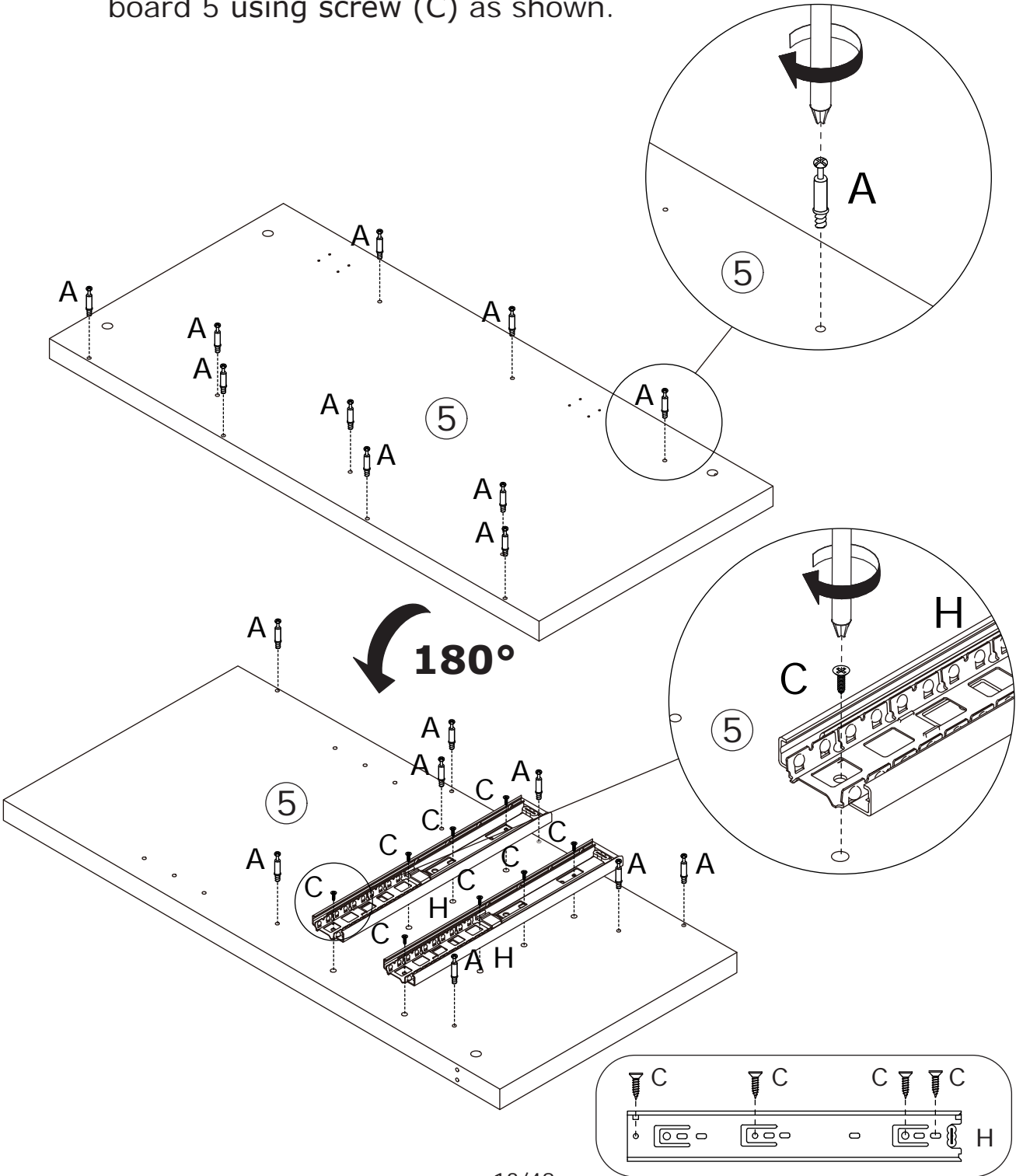
The holes should face backward.




6

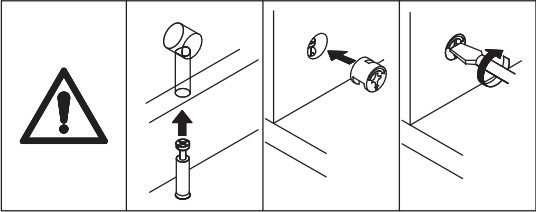


Screw eccentric rod (A) onto board 5.  
**Flip to back**, secure slide rail (H) to board 5 using screw (C) as shown.

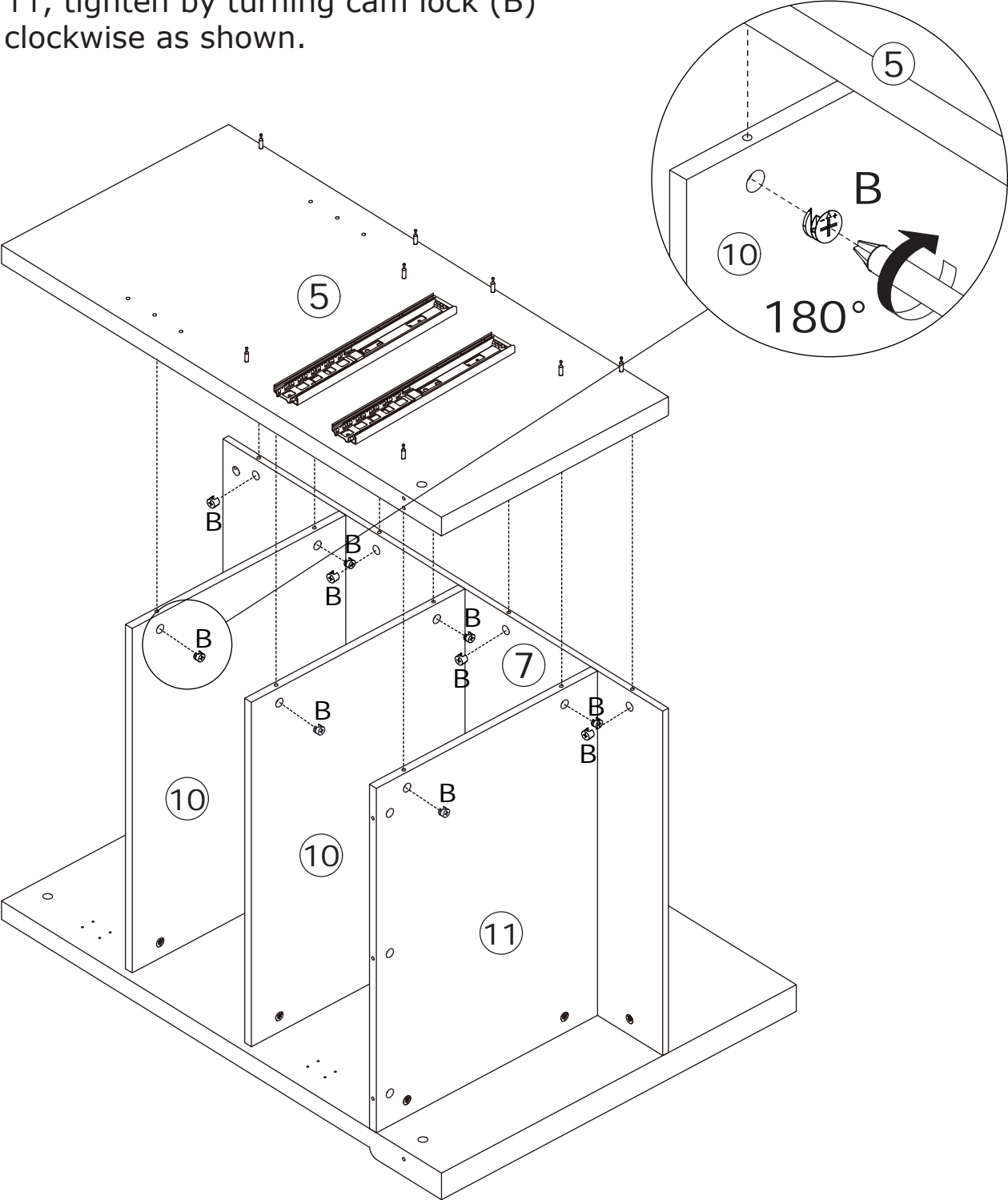


7

B x 10  
  
Ø9.5 x 15 mm

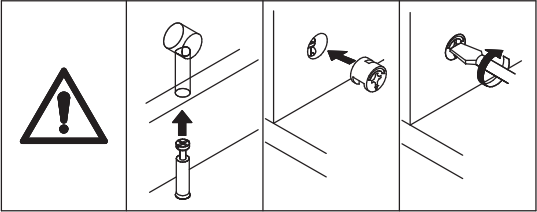


Connect board 5 to board 7, 10, and 11, tighten by turning cam lock (B) clockwise as shown.

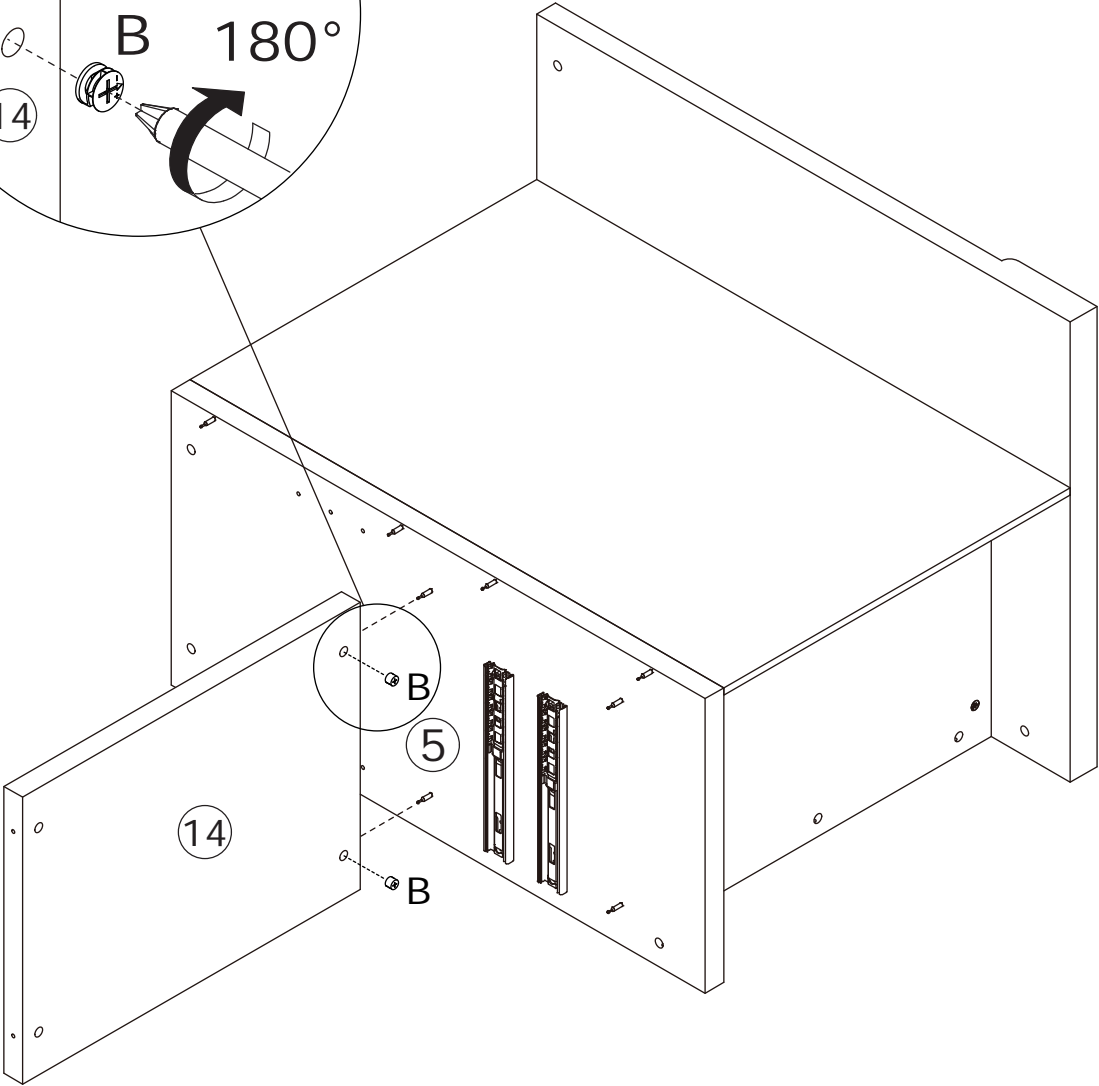
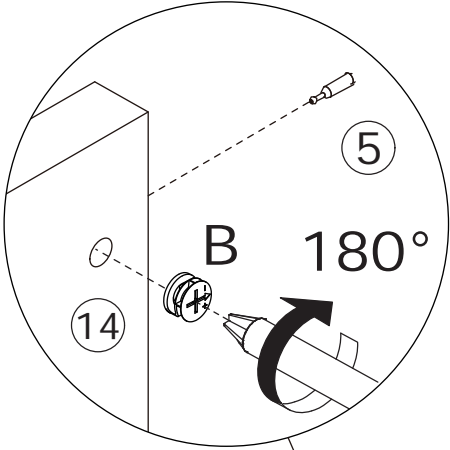


8

B x 2  
Ø9.5 x 15 mm

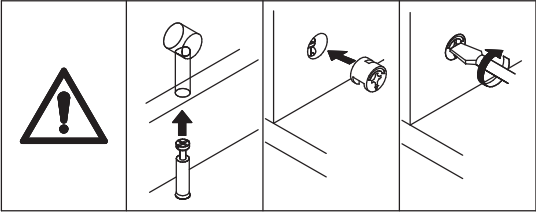


Connect board 14 to board 5, tighten by turning cam lock (B) clockwise as shown.

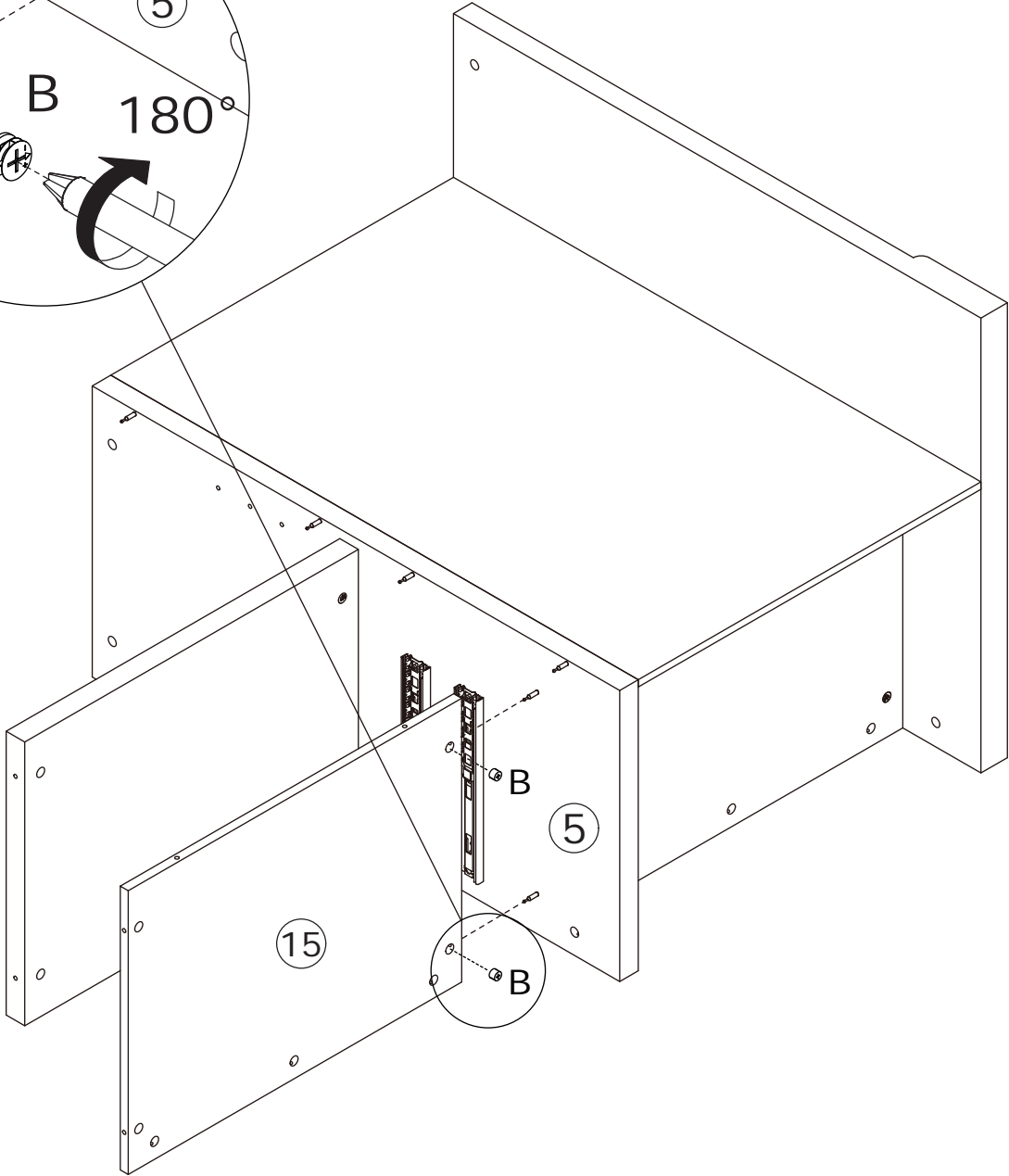
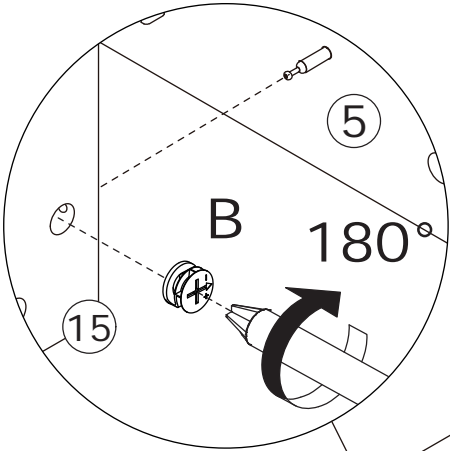


9

B x 2  
Ø9.5 x 15 mm

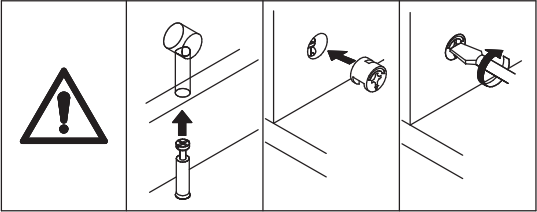


Connect board 15 to board 5, tighten by turning cam lock (B) clockwise as shown.

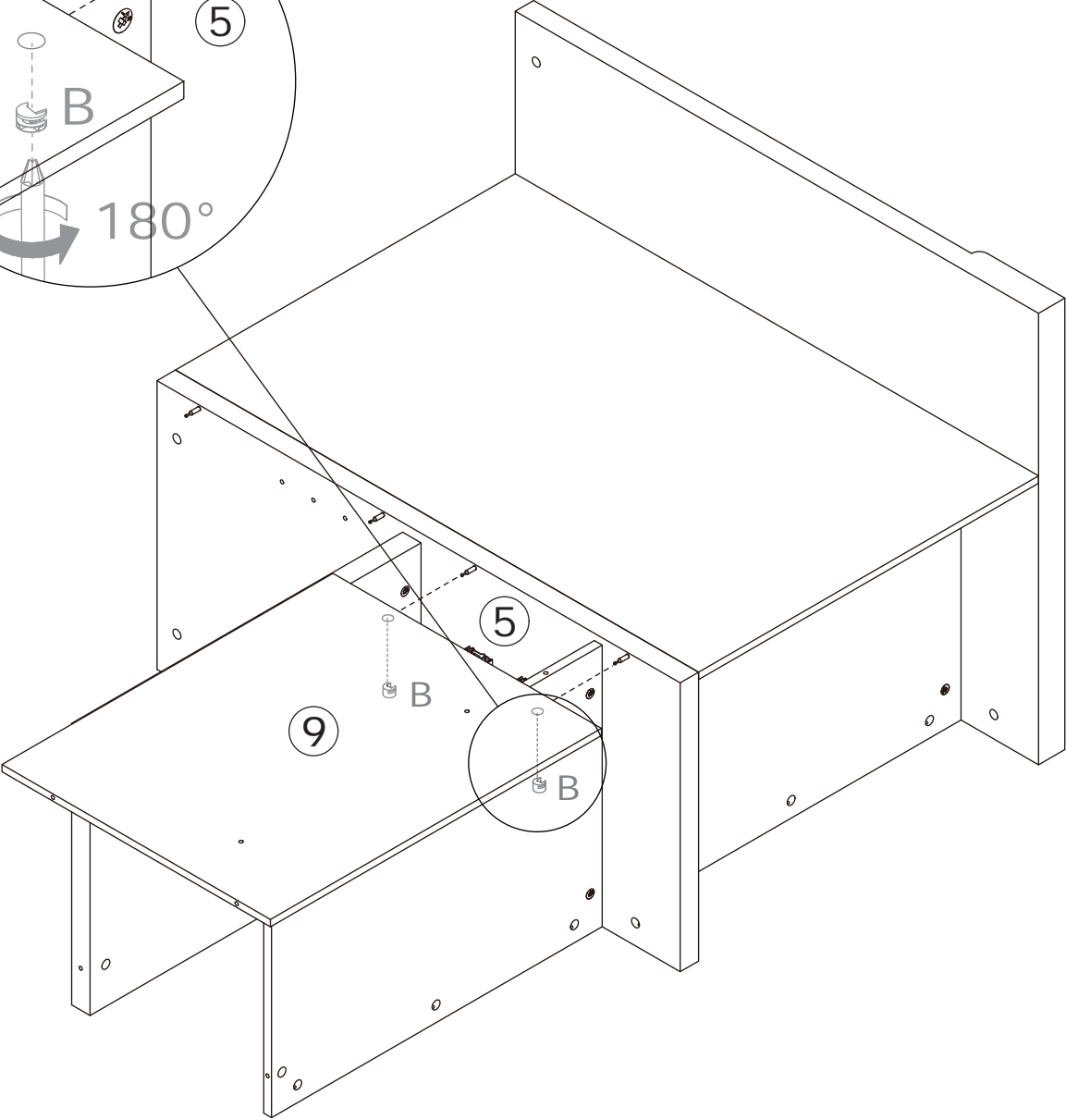
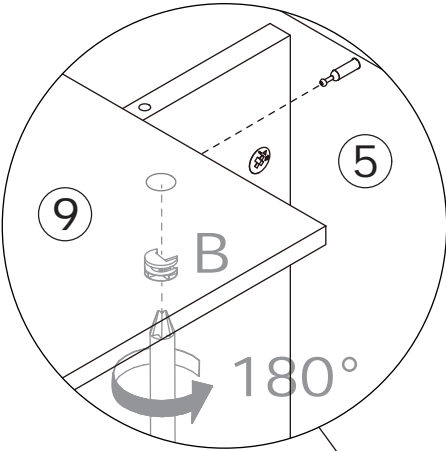


10

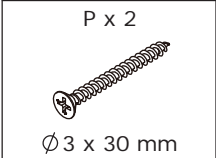
B x 2  
Ø9.5 x 15 mm



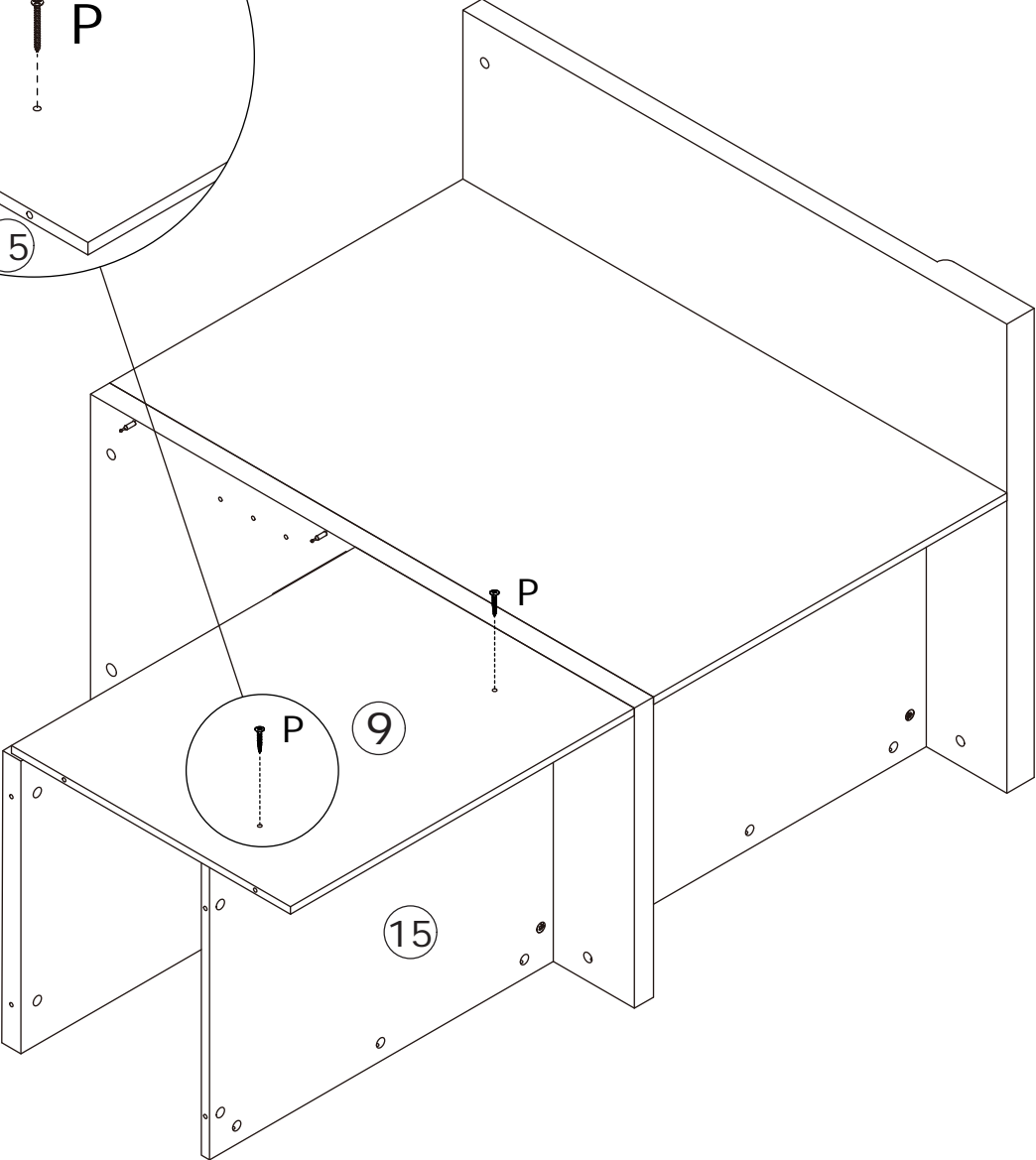
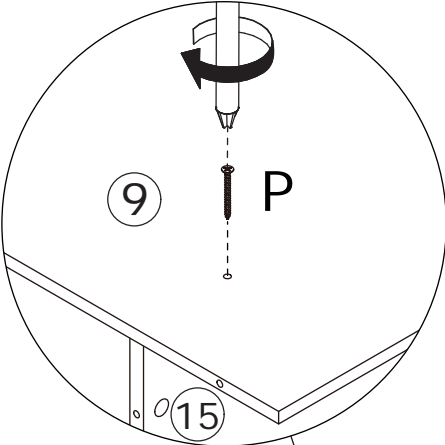
Connect board 9 to board 5, tighten by turning cam lock (B) clockwise as shown.



11

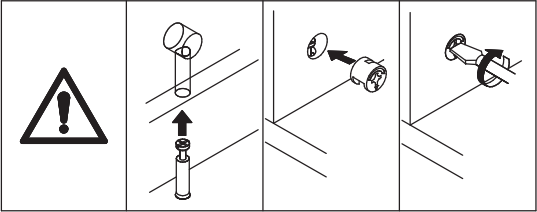


Secure board 9 to board 15 using screw (P) as shown.

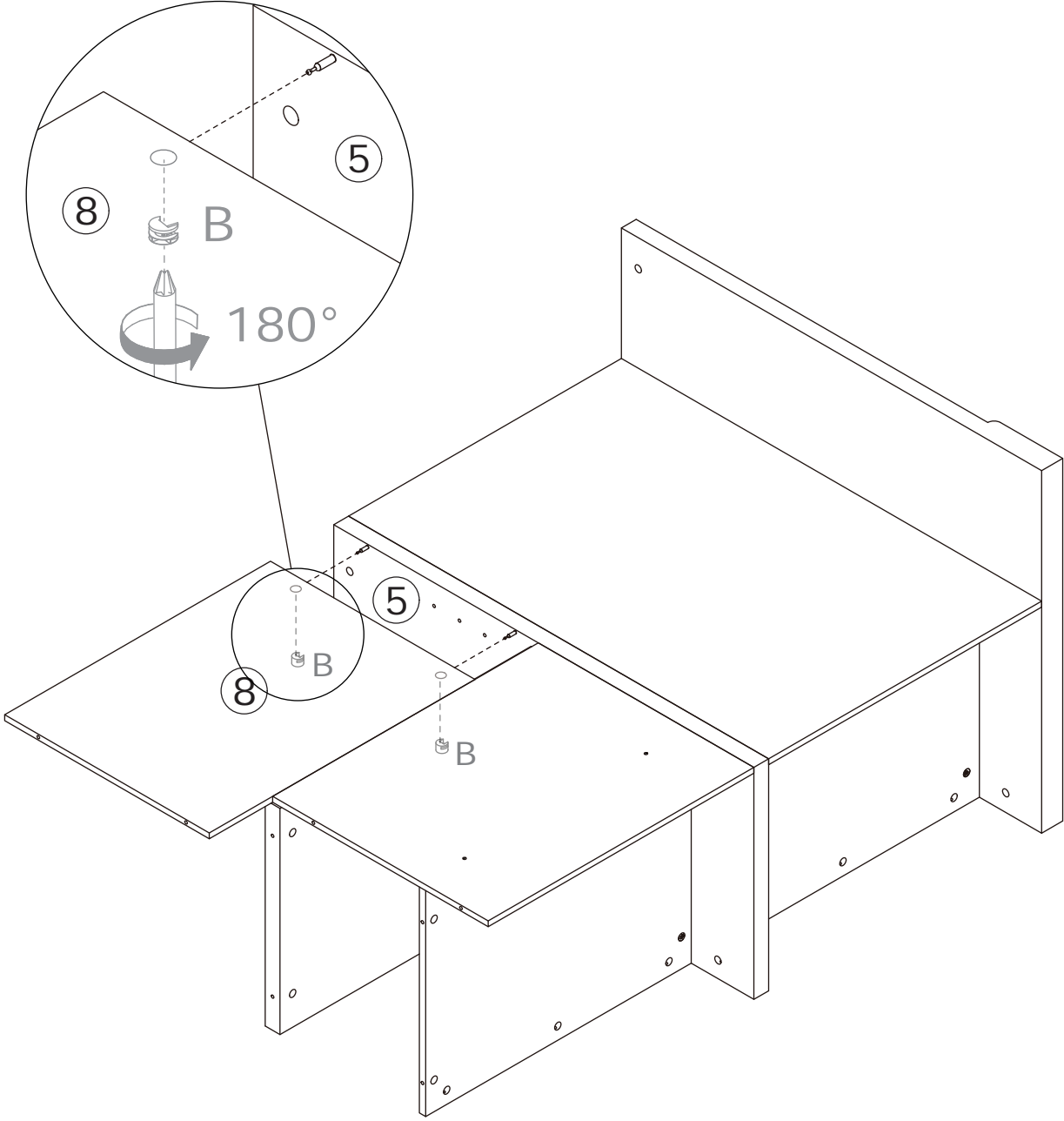


12

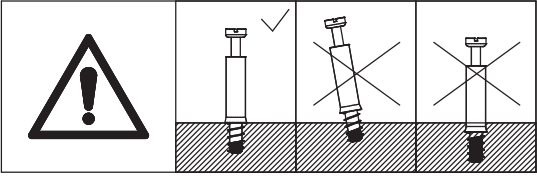
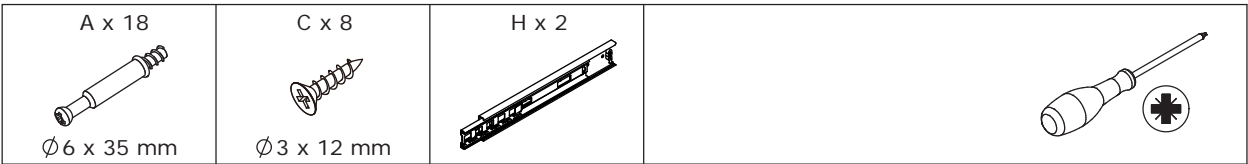
B x 2  
Ø9.5 x 15 mm



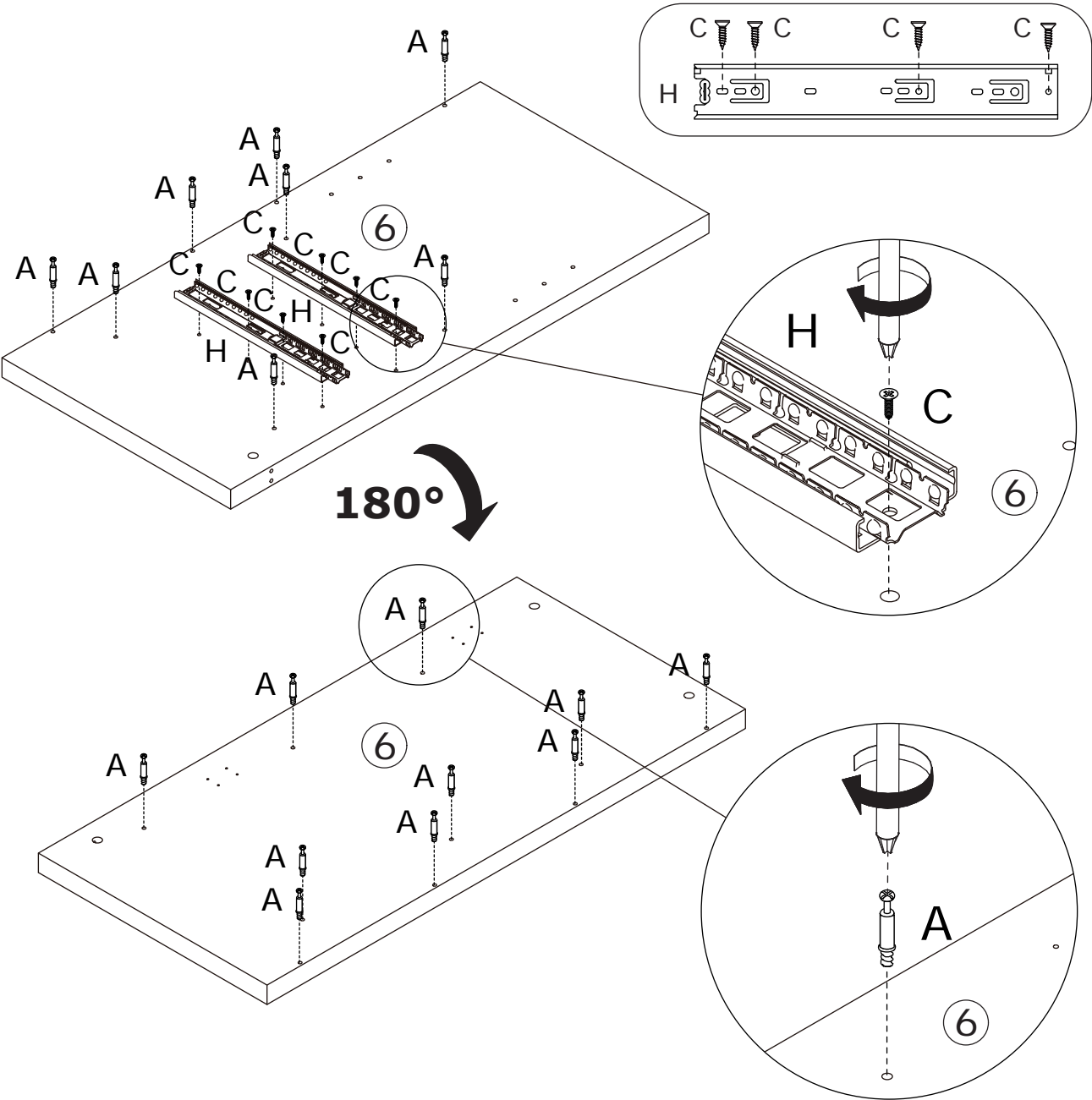
Connect board 8 to board 5, tighten by turning cam lock (B) clockwise as shown.



13

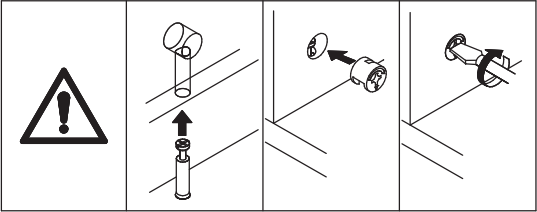
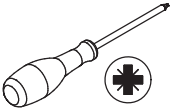


Screw eccentric rod (A) onto board 6, and secure slide rail (H) using screw (C).  
**Flip to back**, screw eccentric rod (A) onto board 6 as shown.

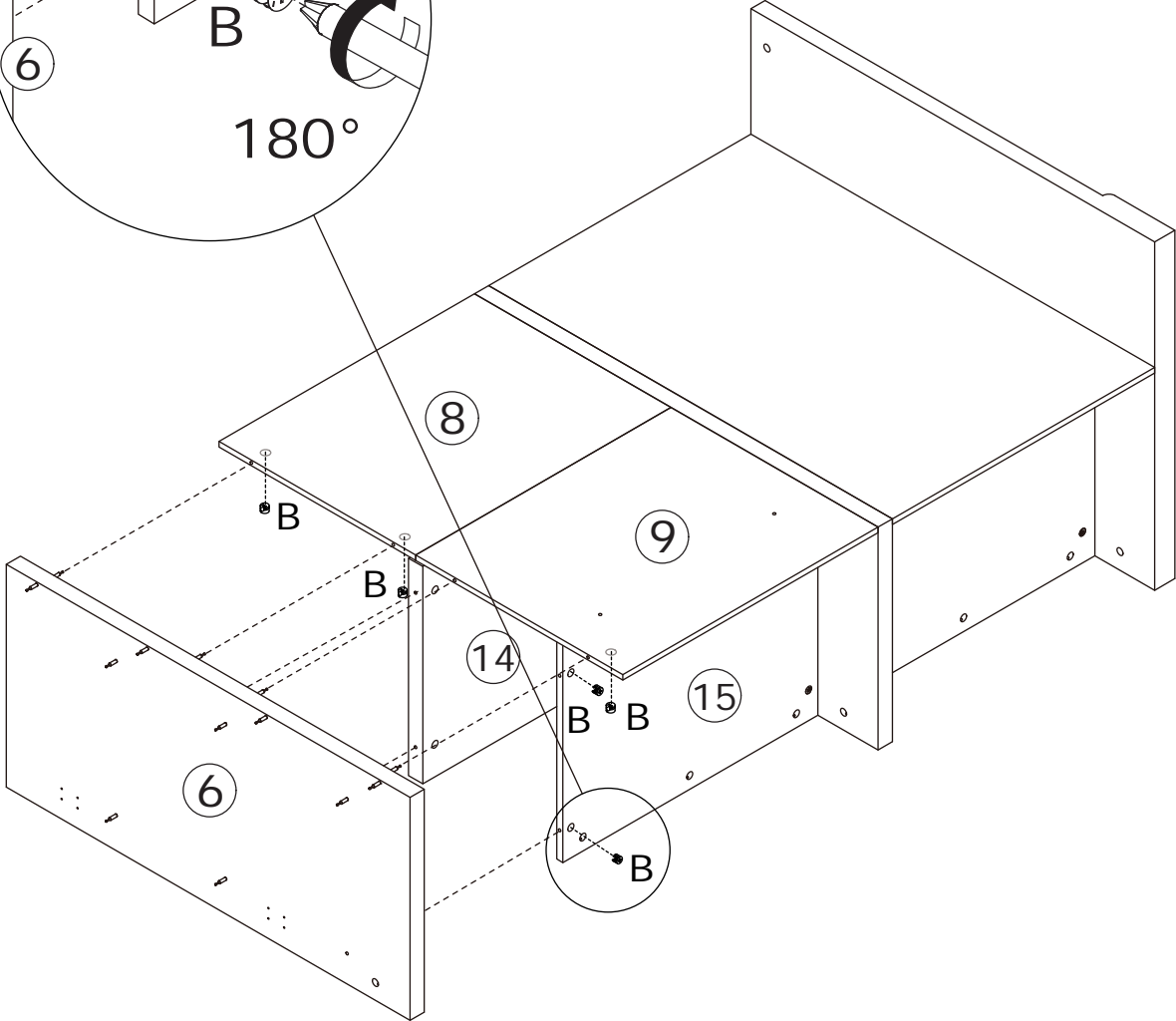
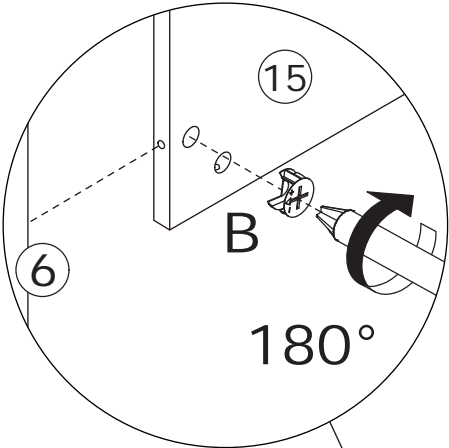


14

B x 5  
Ø9.5 x 15 mm

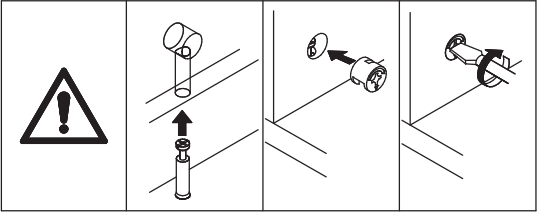
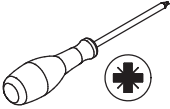


Connect board 6 to board 8, 9, 14, and 15, tighten by turning cam lock (B) clockwise as shown.

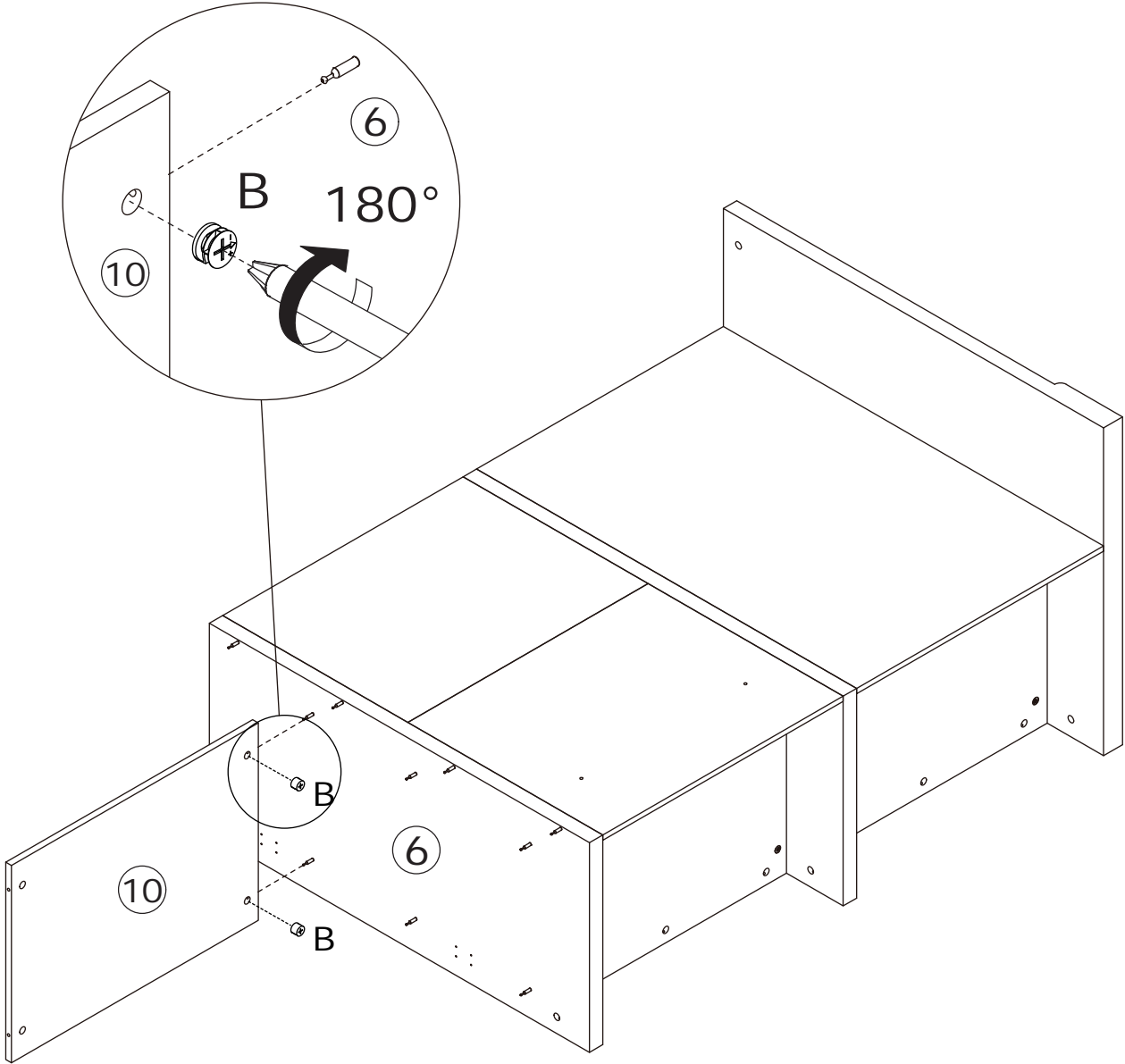


15

B x 2  
Ø9.5 x 15 mm

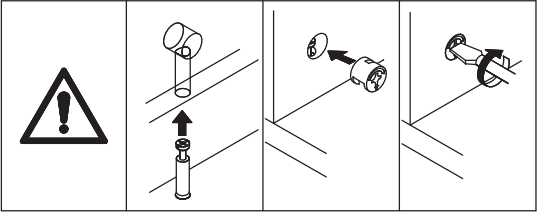
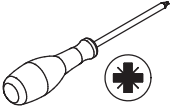


Connect board 10 to board 6, tighten by turning cam lock (B) clockwise as shown.

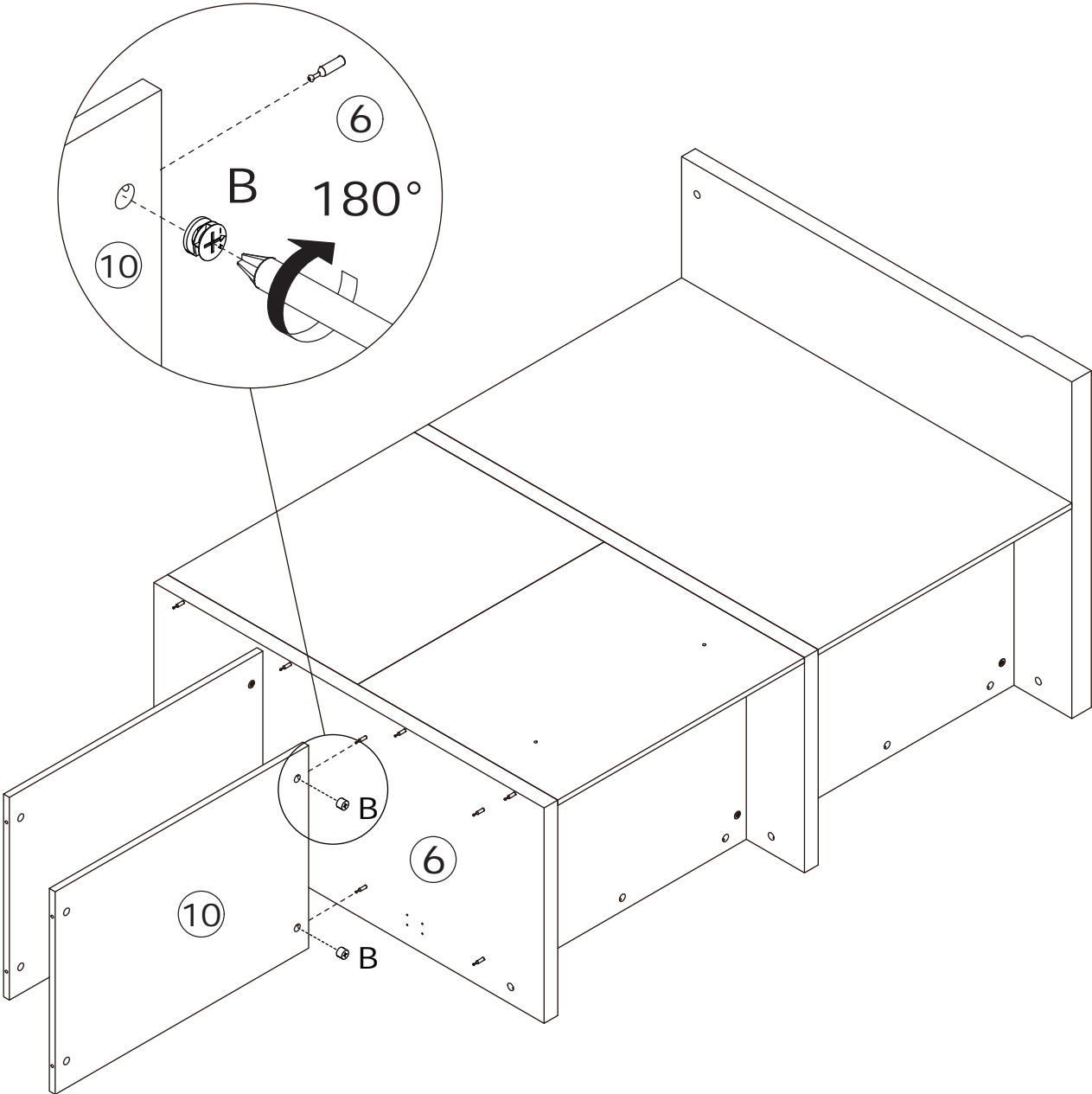


16

B x 2  
Ø9.5 x 15 mm

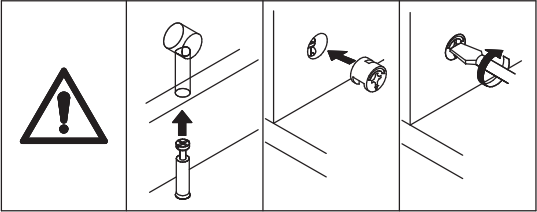
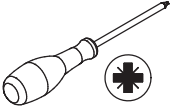


Connect board 10 to board 6, tighten by turning cam lock (B) clockwise as shown.

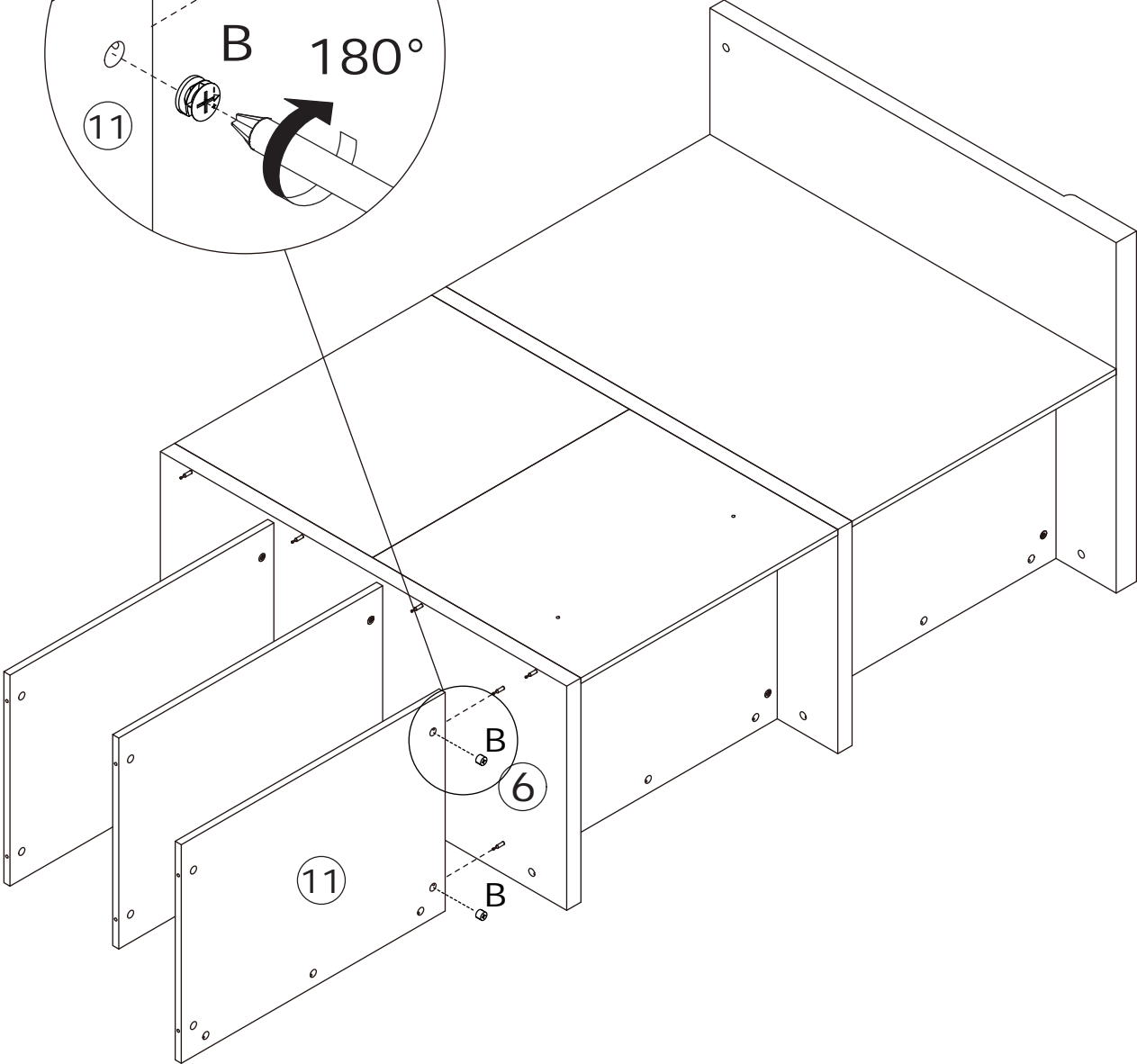
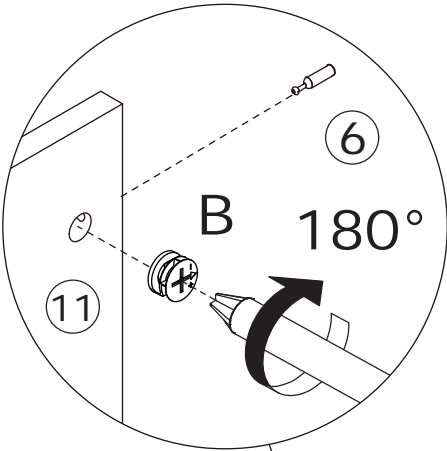


17

B x 2  
Ø9.5 x 15 mm

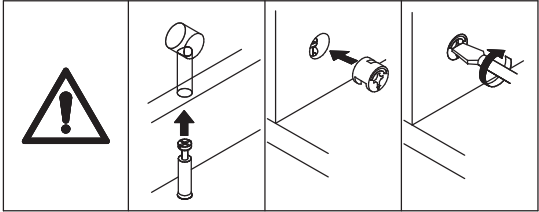
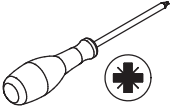


Connect board 11 to board 6, tighten by turning cam lock (B) clockwise as shown.

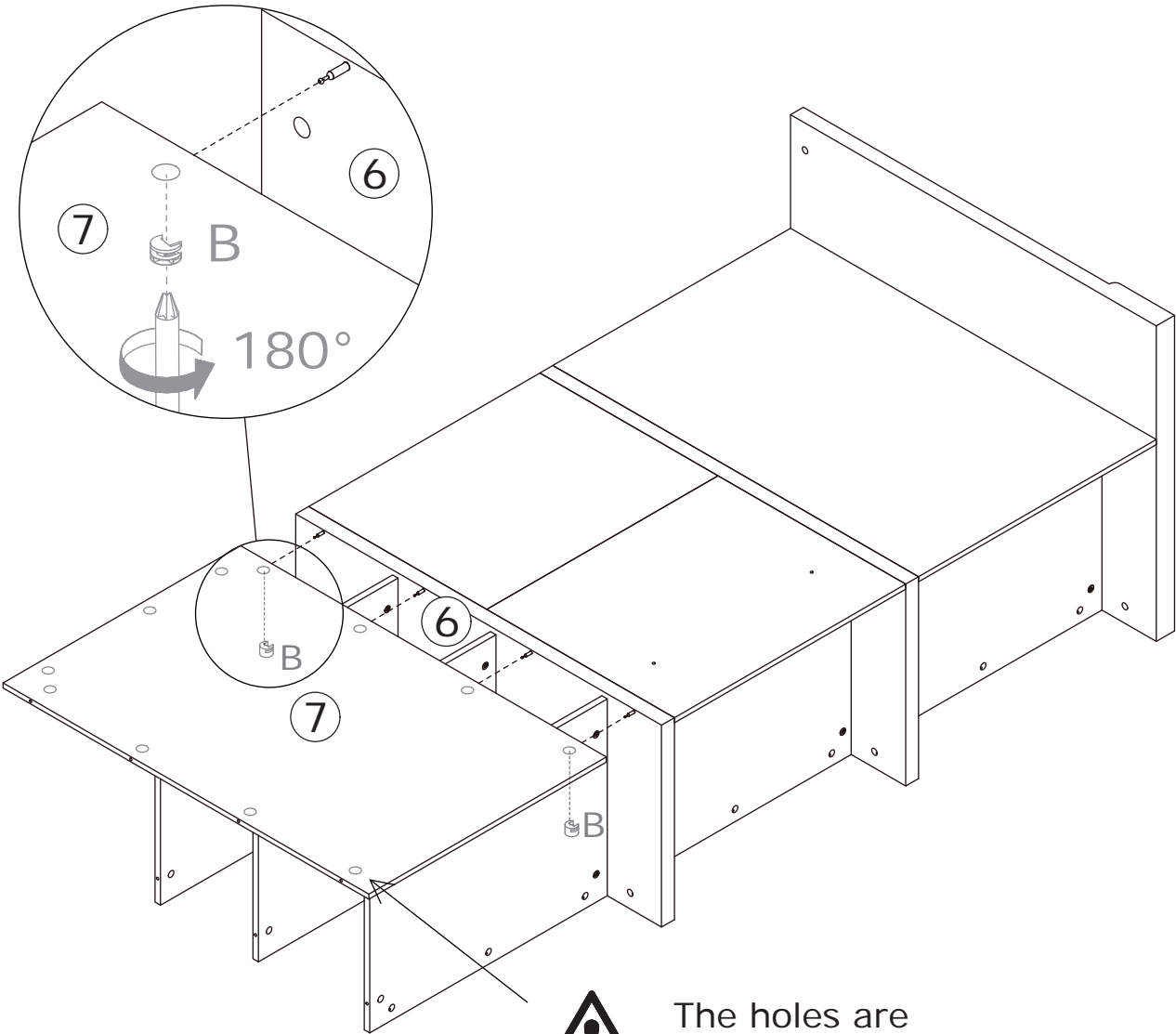


18

B x 2  
Ø9.5 x 15 mm

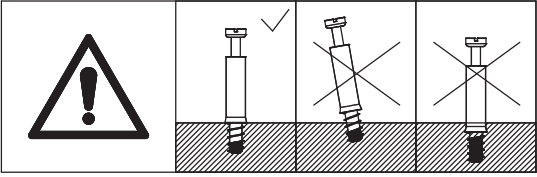
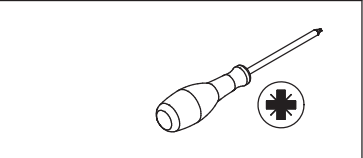


Connect board 7 to board 6, tighten by turning cam lock (B) clockwise as shown.

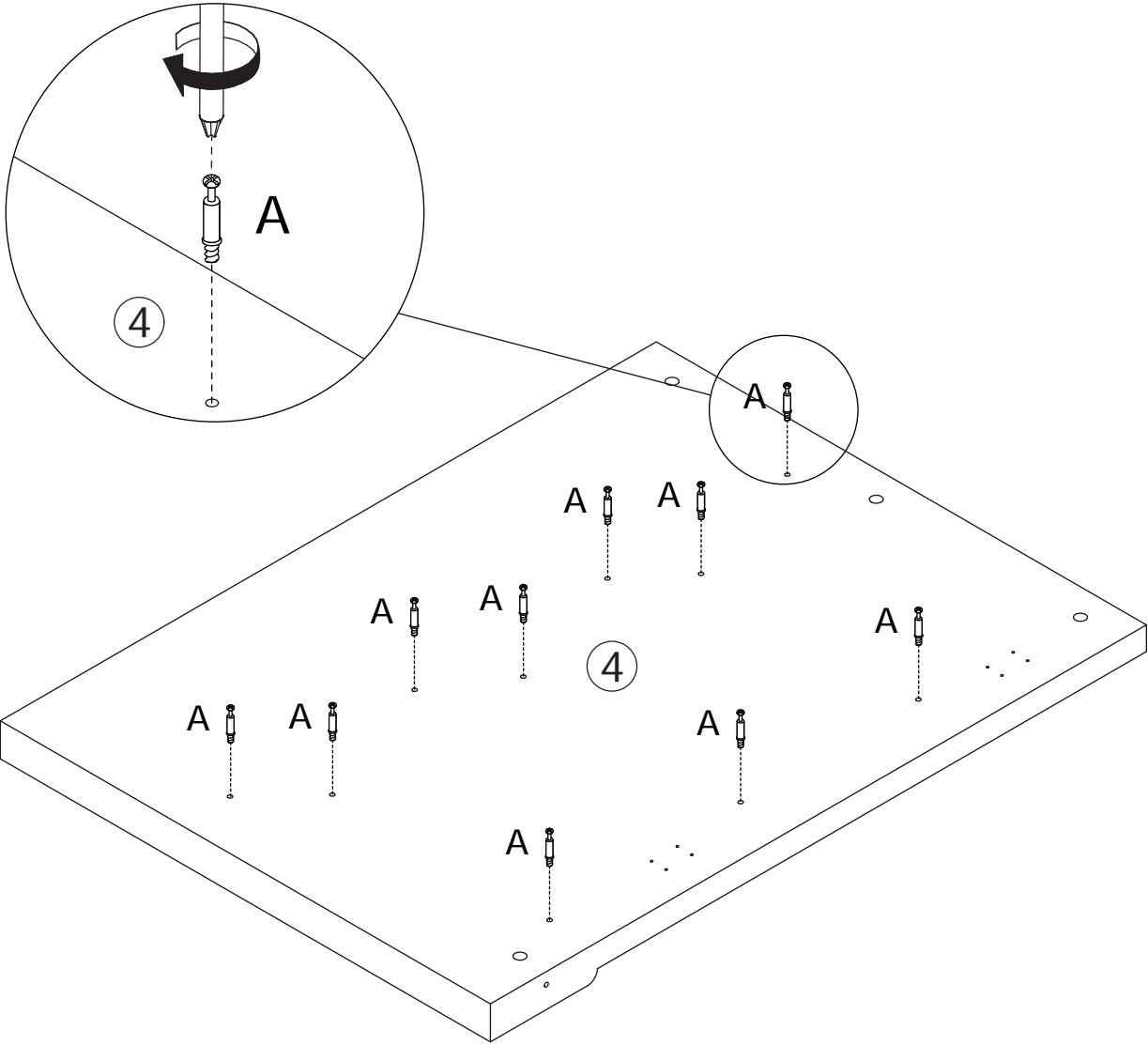


The holes are facing down.

19



Screw eccentric rod (A) onto board 4 as shown.

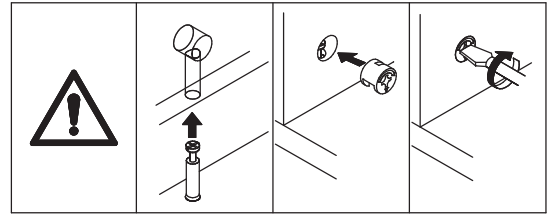
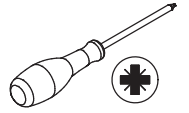


20

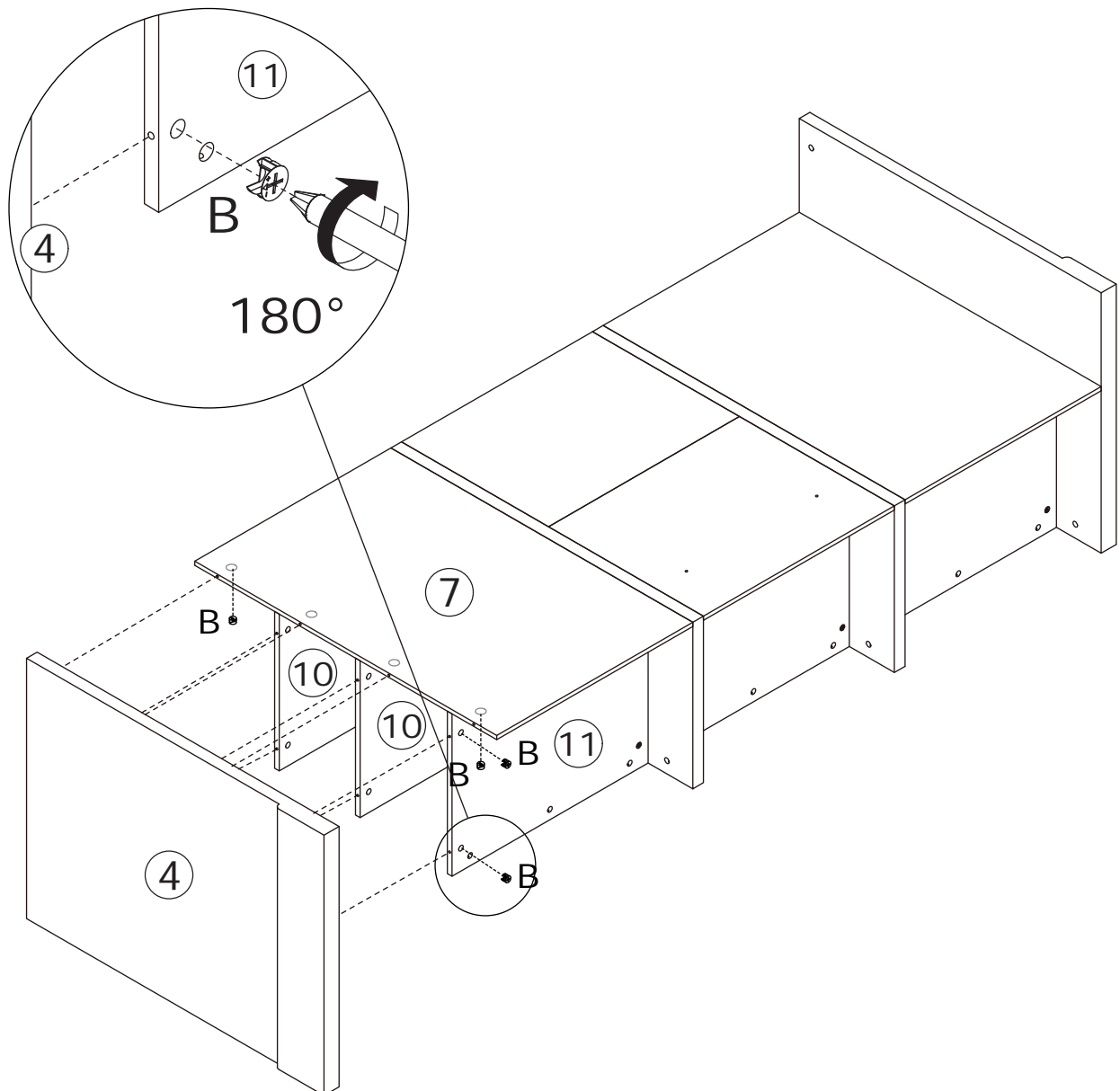
B x 4



Ø9.5 x 15 mm

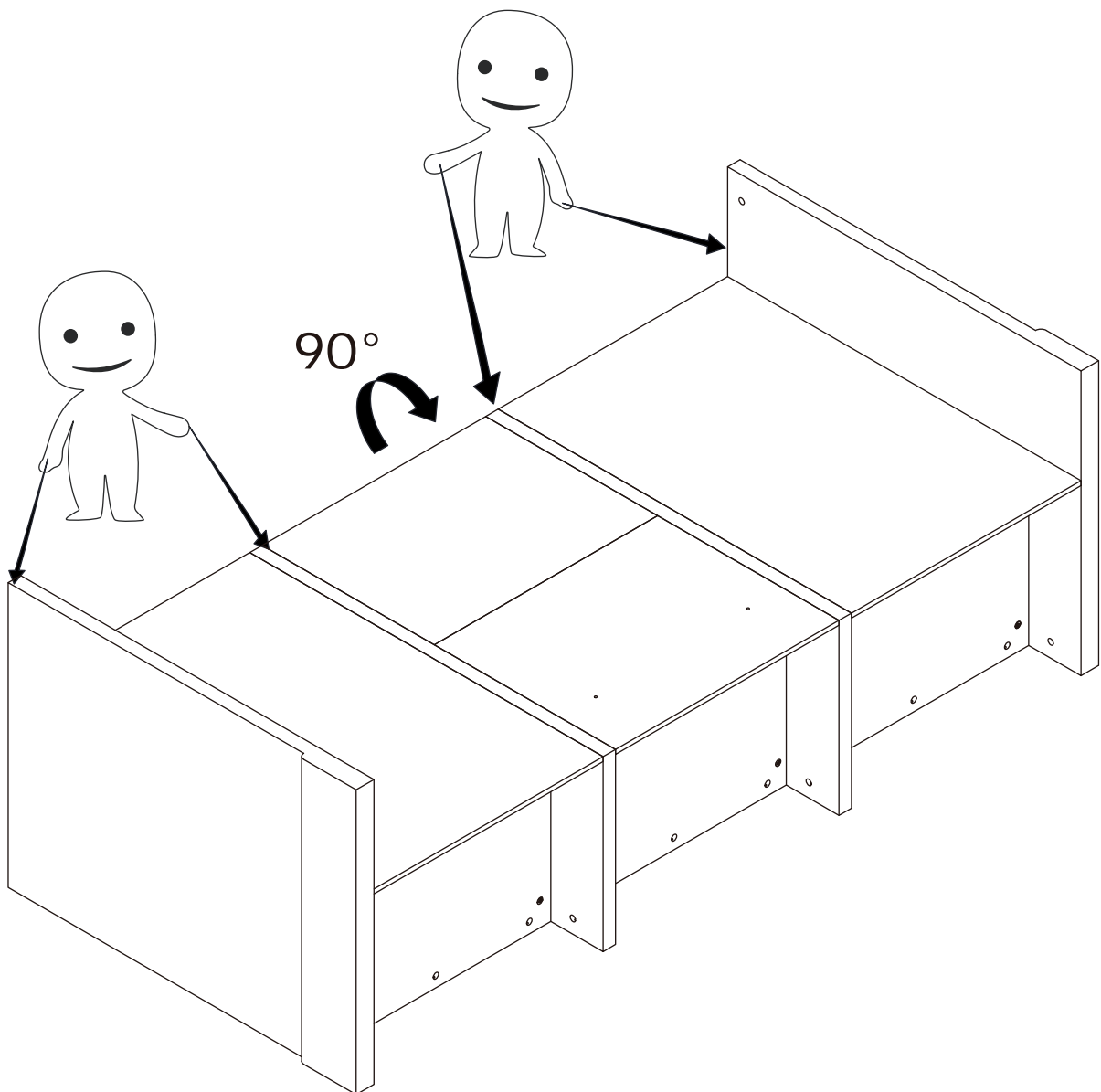


Connect board 4 to board 7, 10, and 11, tighten by turning cam lock (B) clockwise as shown.

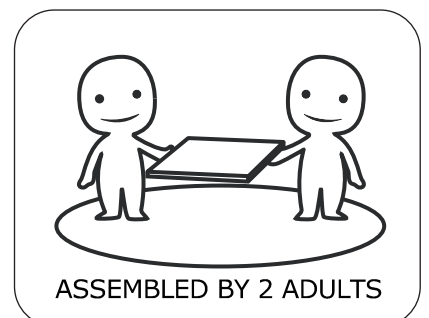


21

It is necessary to stand the assembled cabinet upright, as shown in the figure. Slowly stand the cabinet up with at least two people at the same time.



At least two people should slowly raise the cabinet upright simultaneously.

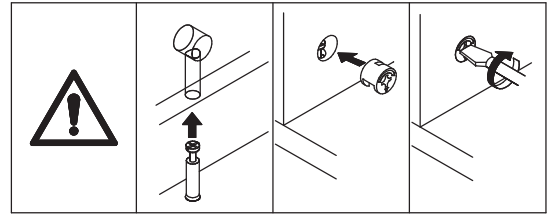
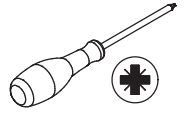


22

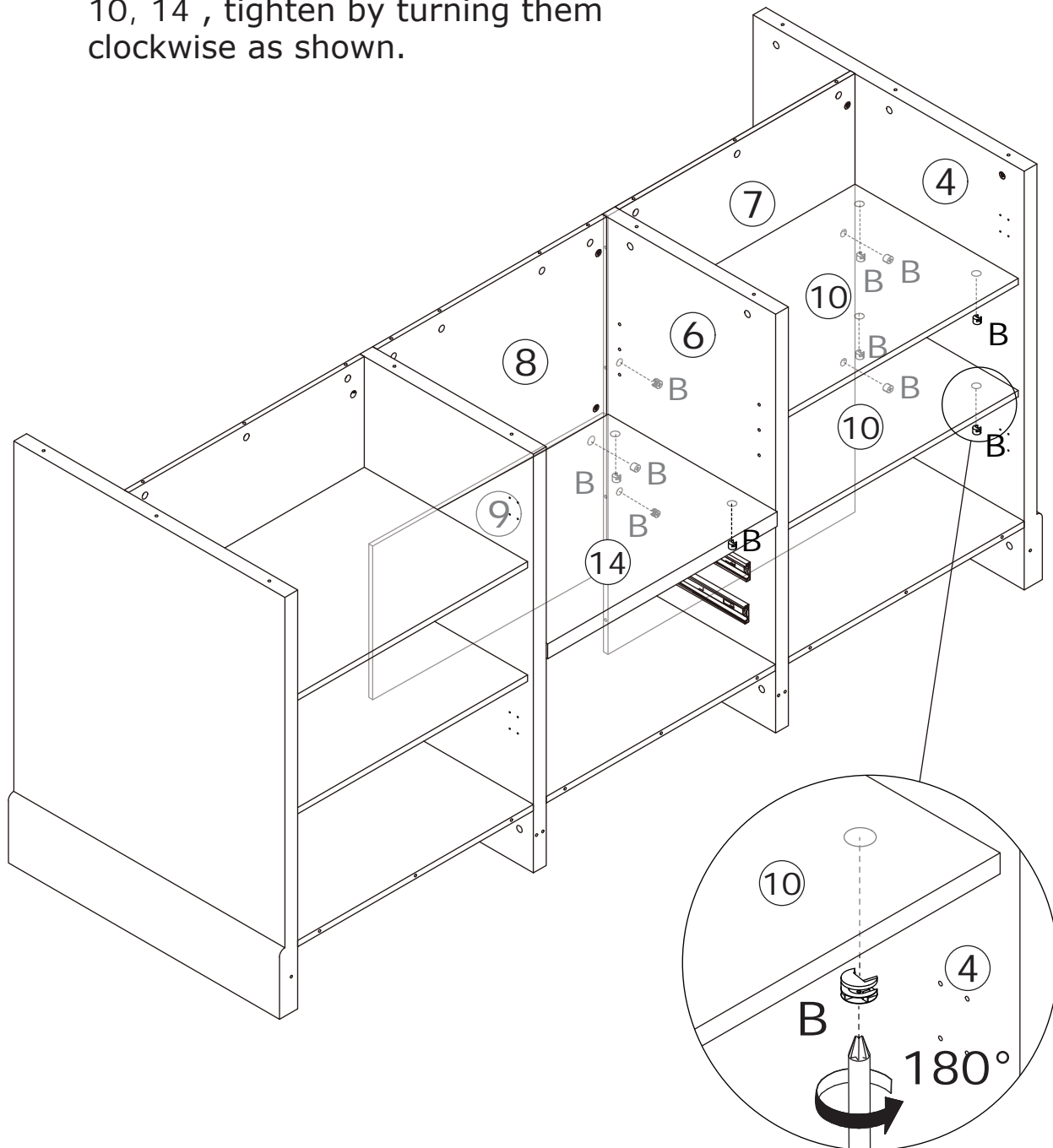
B x 11



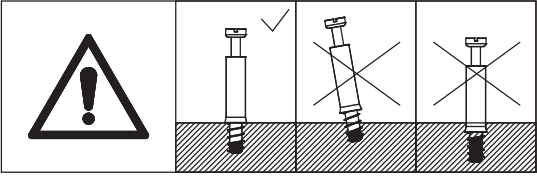
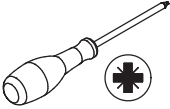
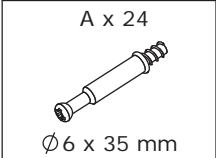
Ø9.5 x 15 mm



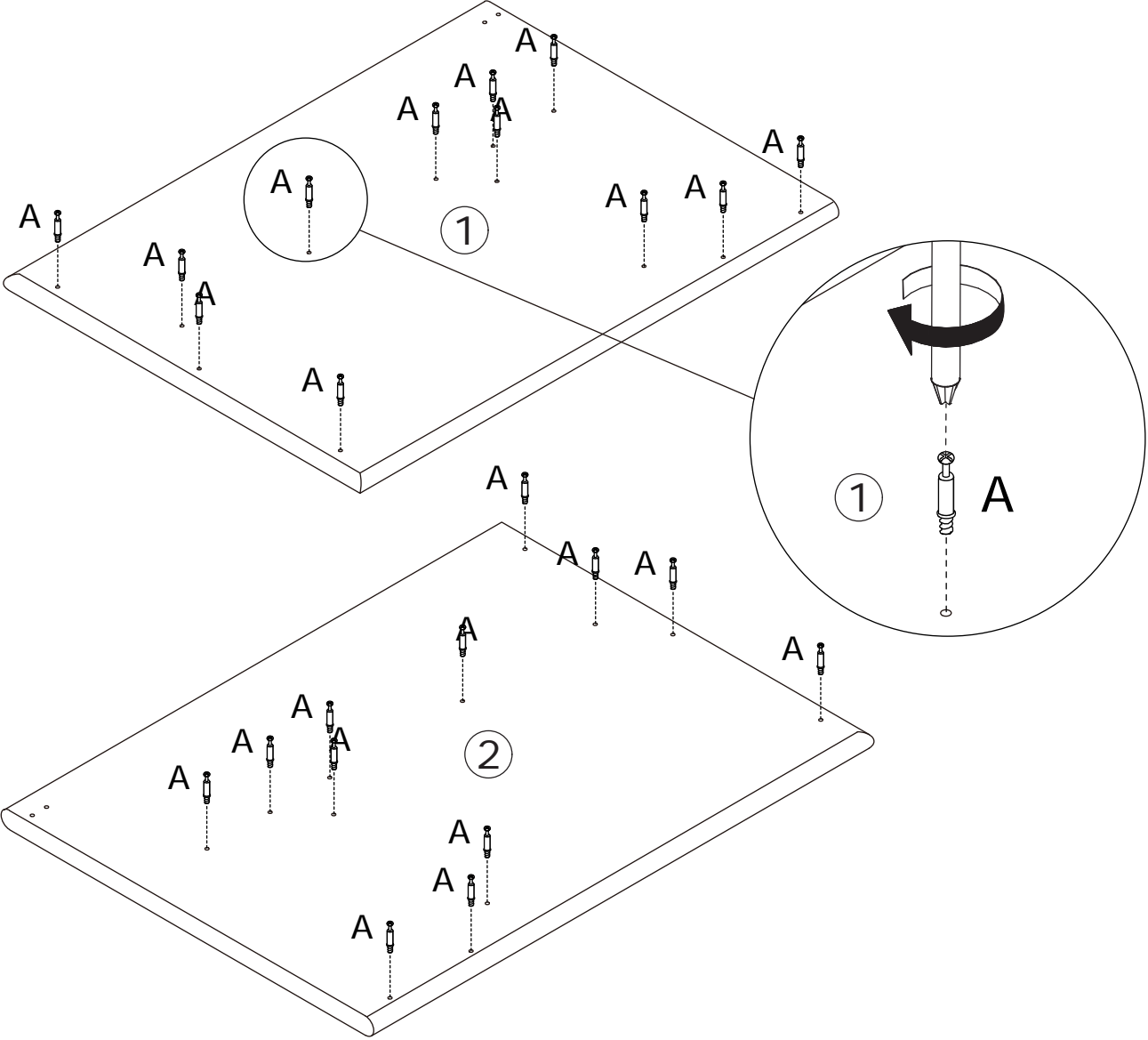
Put cam lock (B) into board 7, 9, 10, 14, tighten by turning them clockwise as shown.



23

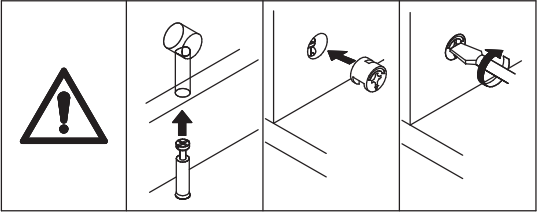
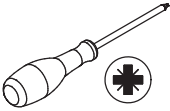


Screw eccentric rod (A) onto board 1 and 2 as shown.

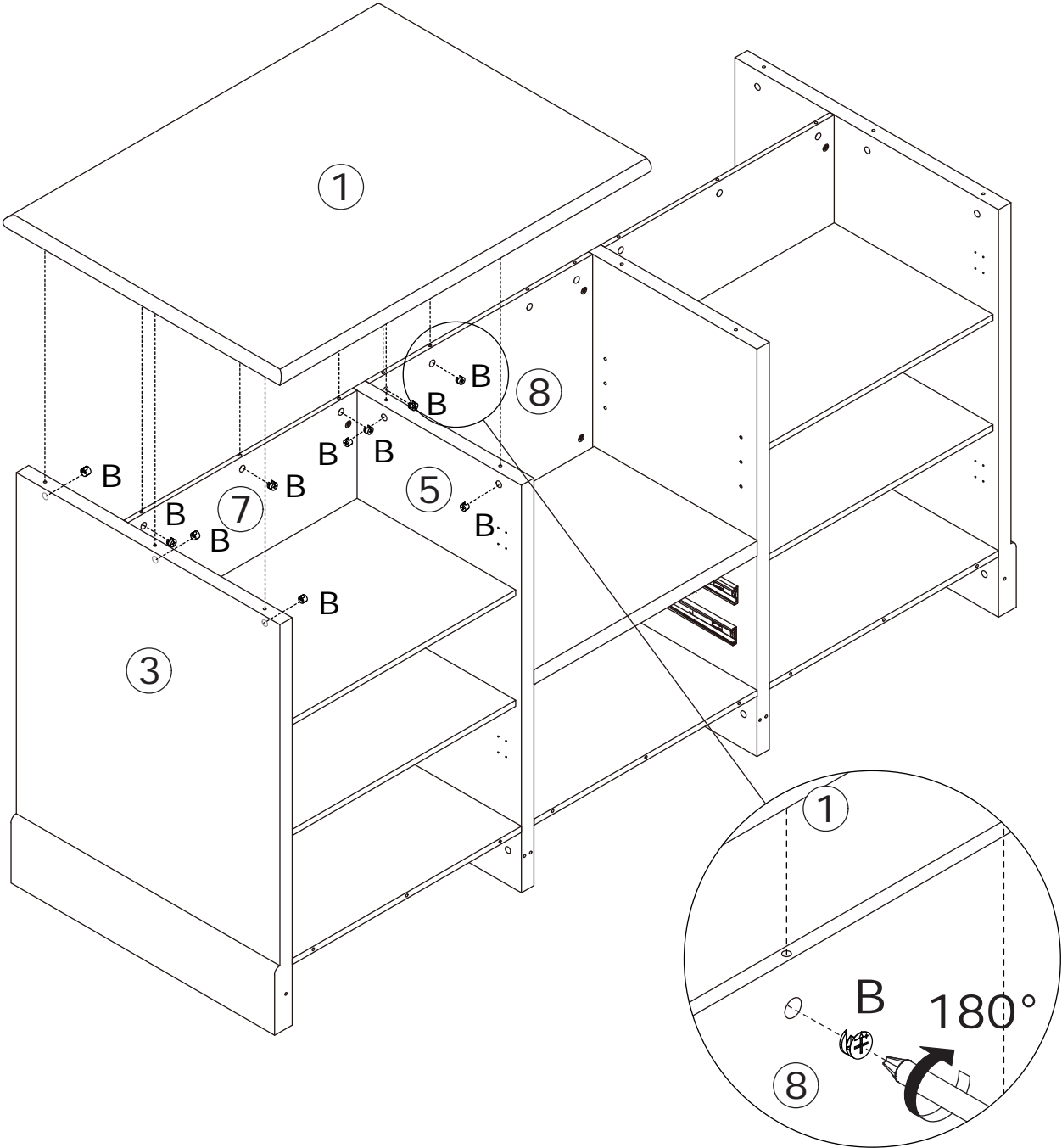


24

B x 10  
Ø9.5 x 15 mm

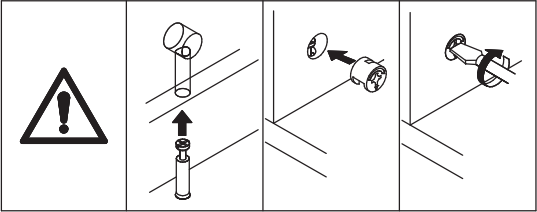
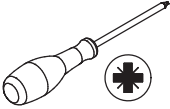


Connect board 1 to board 3, 5, 7, and 8,  
tighten by turning cam lock (B) clockwise  
as shown.

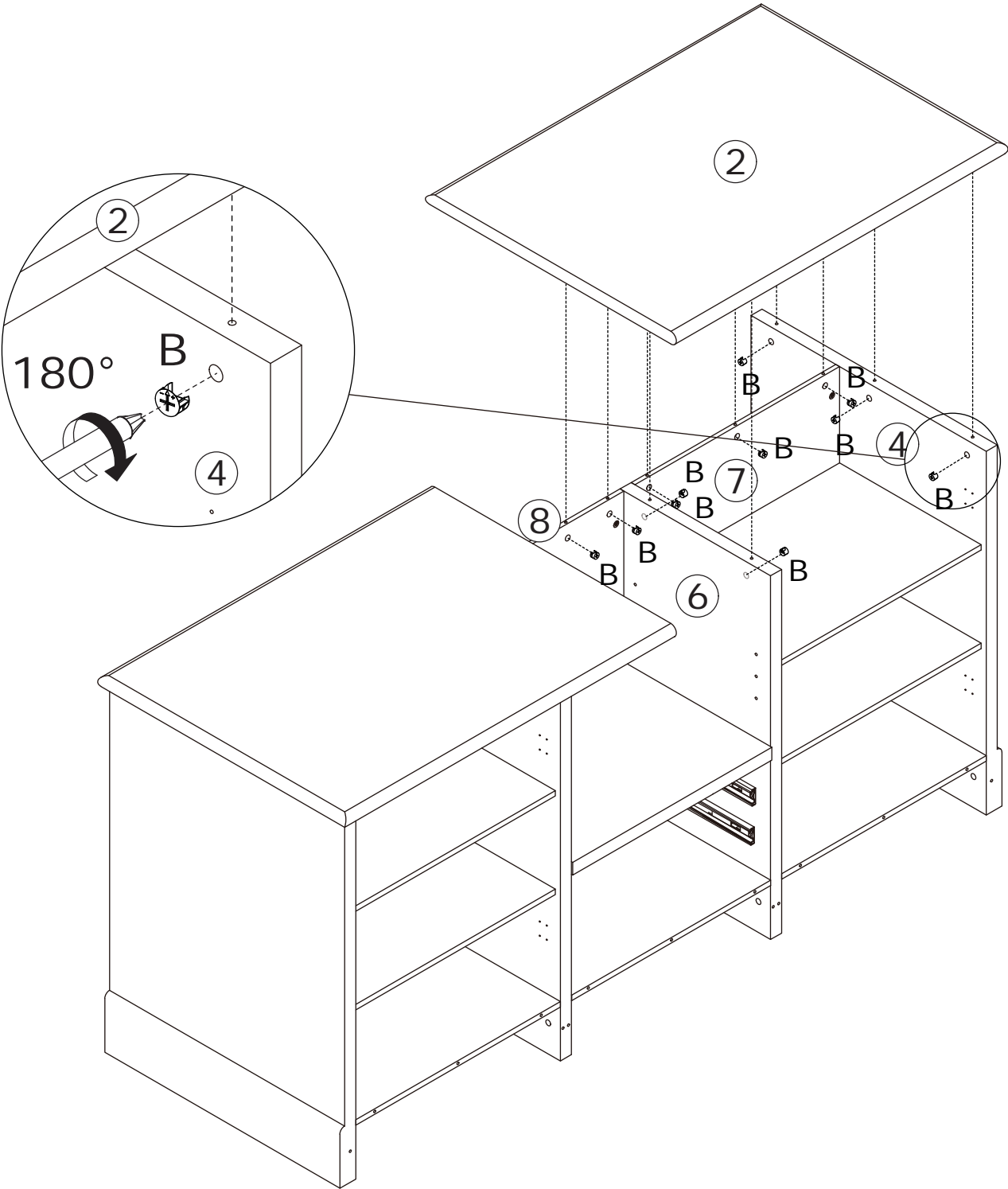


25

B x 10  
Ø9.5 x 15 mm



Connect board 2 to board 4, 6, 7 and 8, tighten by turning cam lock (B) clockwise as shown.

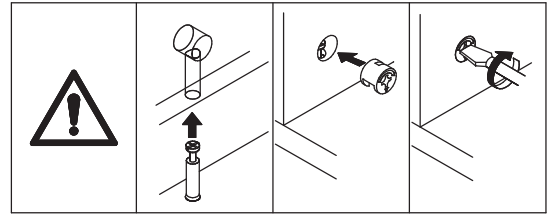
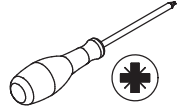


26

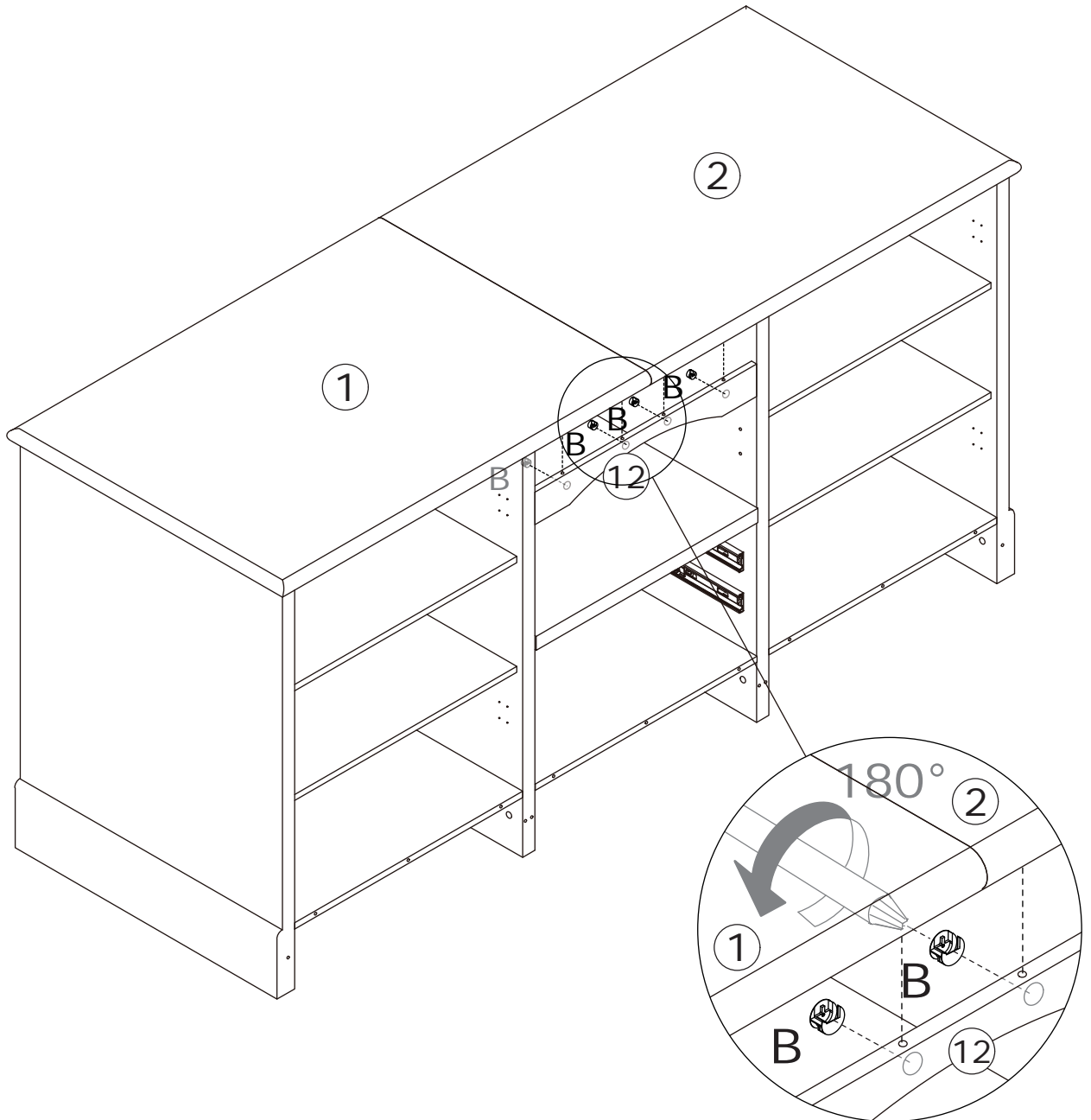
B x 4



Ø9.5 x 15 mm

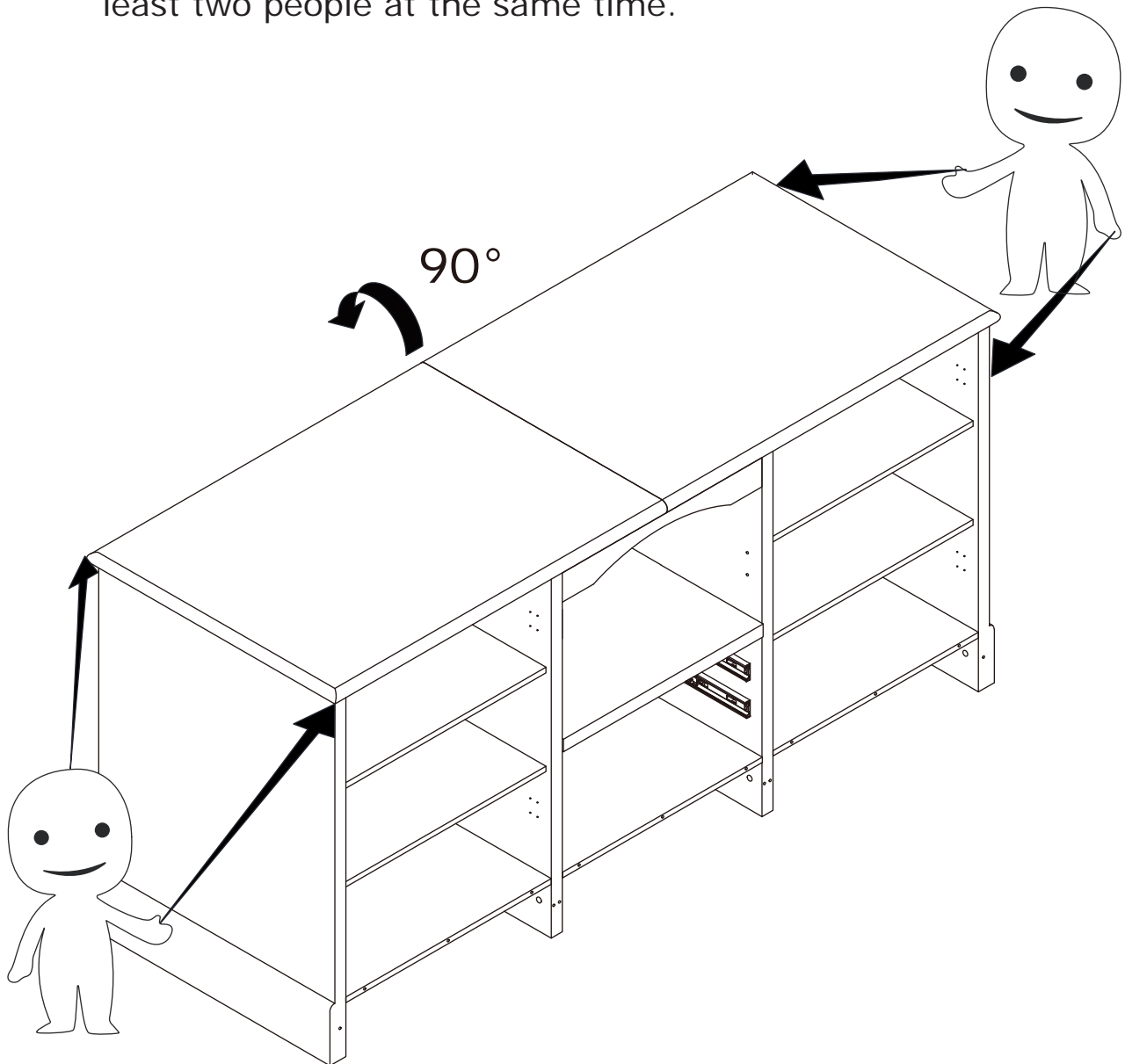


Connect board 12 to board 1 and 2, tighten by turning cam lock (B) clockwise as shown.

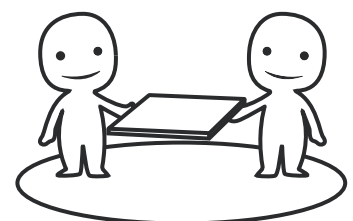


27

Place the completed cabinet down.  
Slowly stand the cabinet up with at  
least two people at the same time.

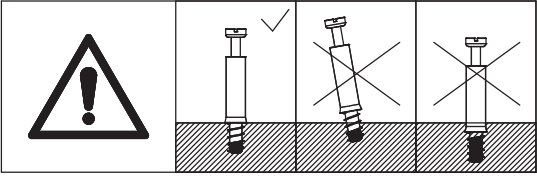
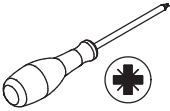
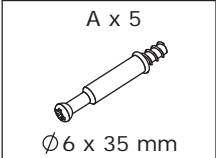


At least two people should  
slowly raise the cabinet  
upright simultaneously.

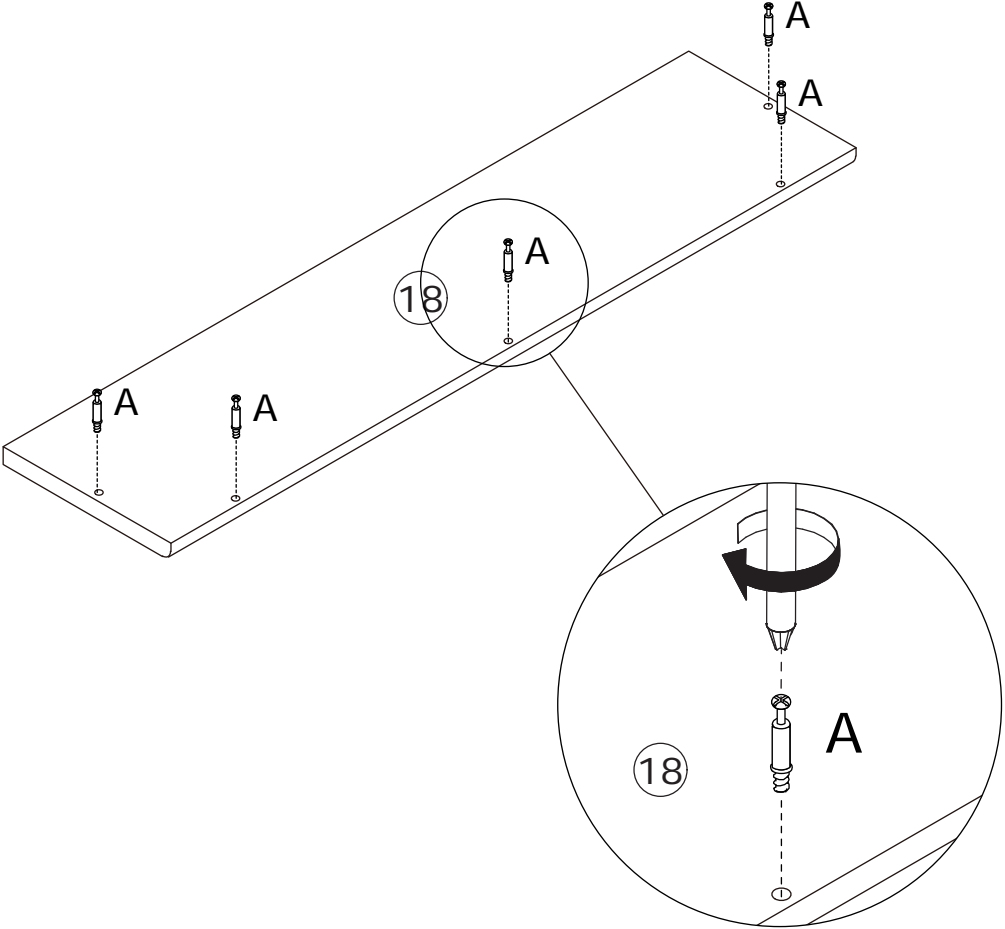


ASSEMBLED BY 2 ADULTS

28



Screw eccentric rod (A) onto board 18 as shown.

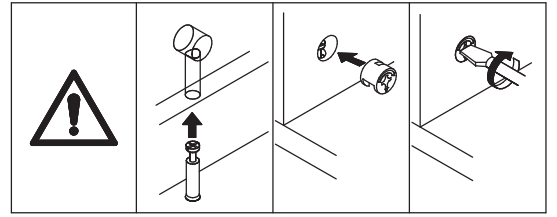
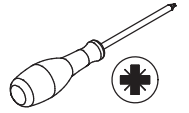


29

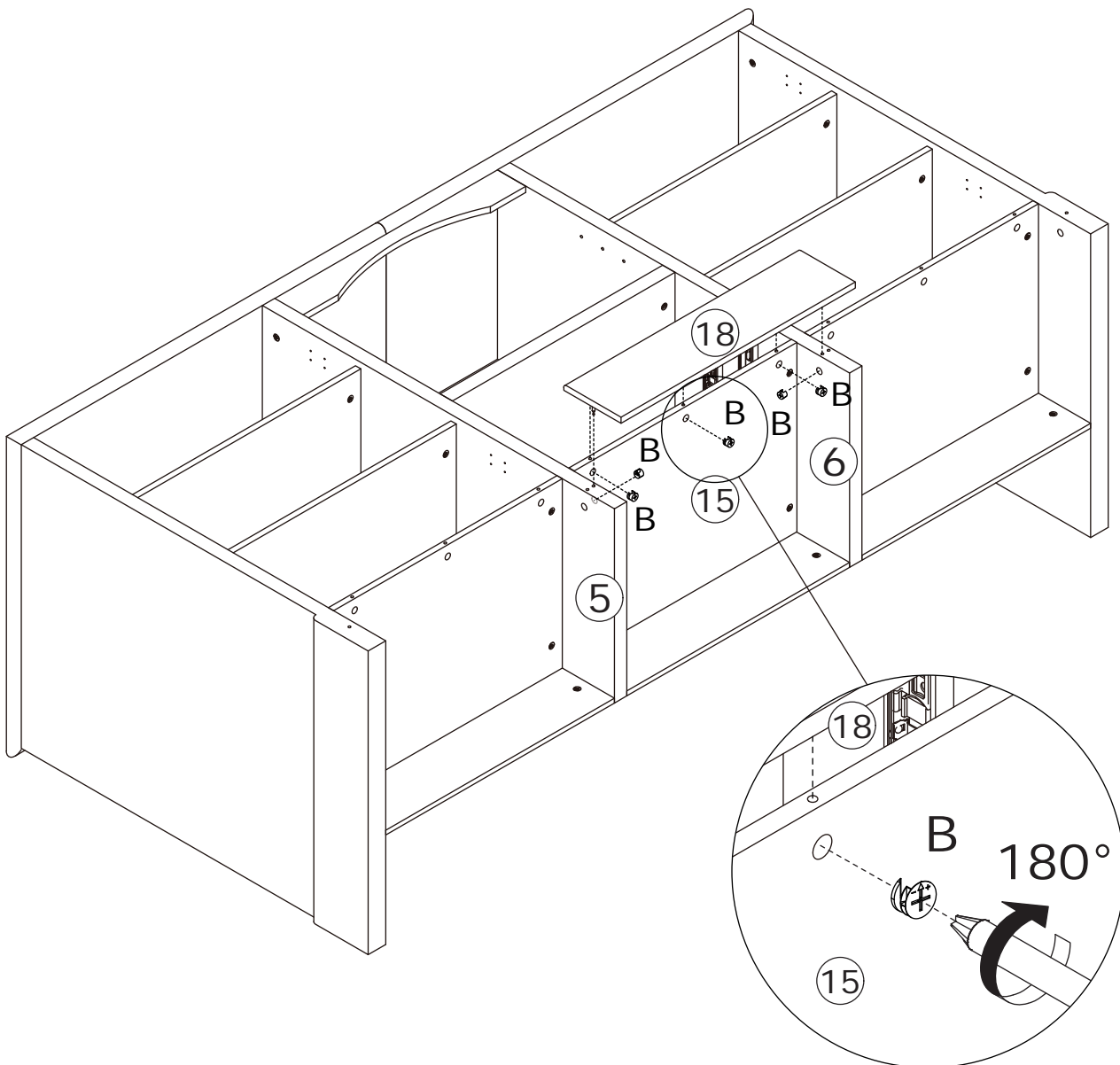
B x 5



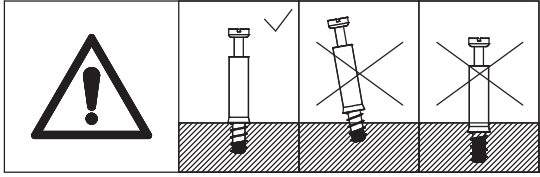
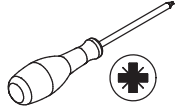
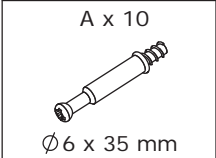
Ø9.5 x 15 mm



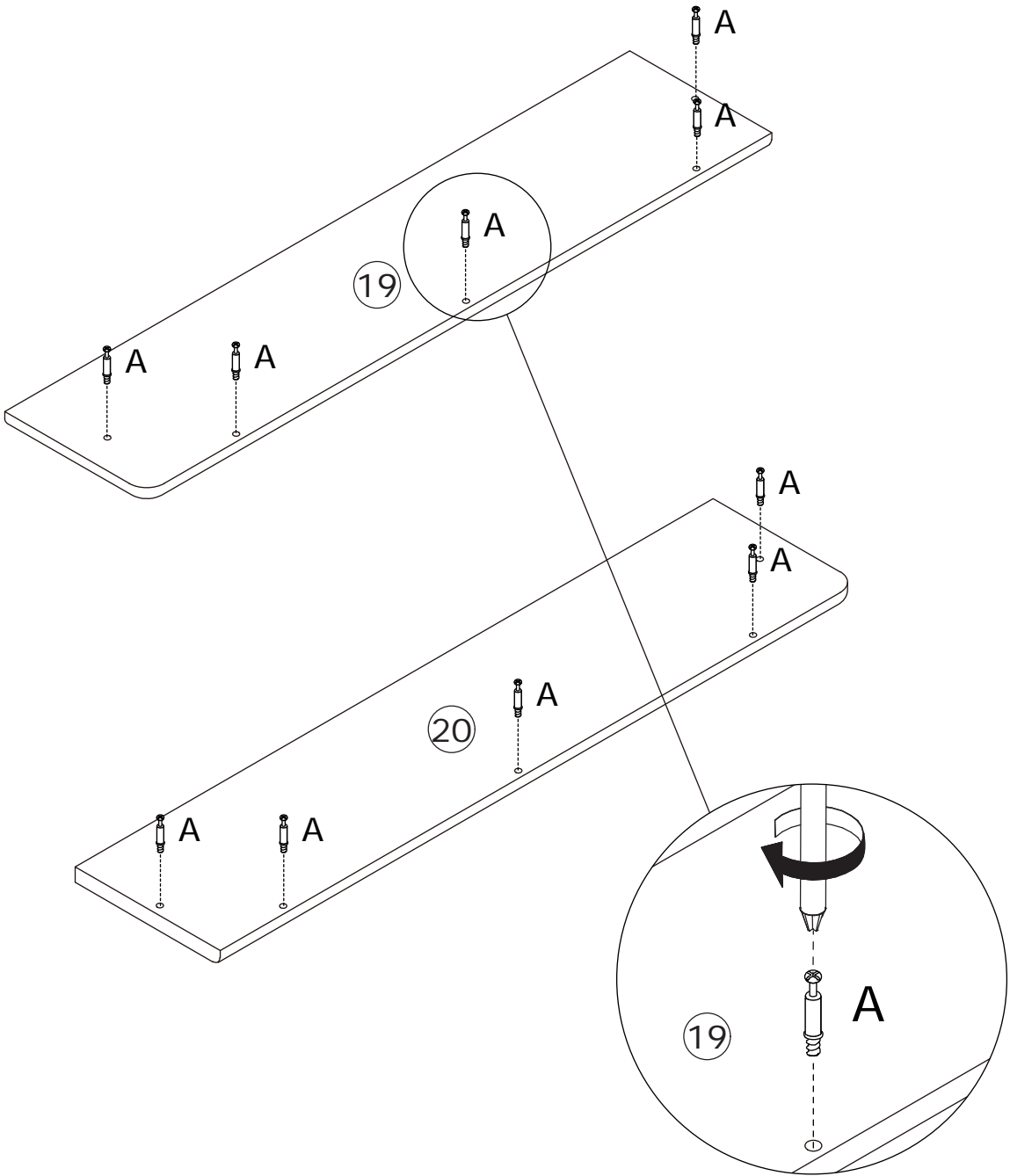
Connect board 8 to board 5, 6, and 15, tighten by turning cam lock (B) clockwise as shown.



30

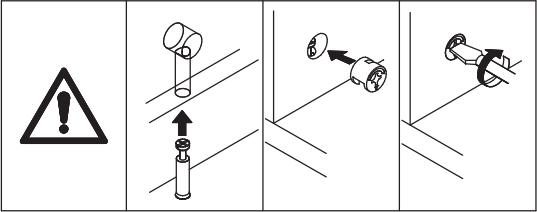
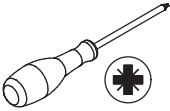


Screw eccentric rod (A) onto board 19, 20 as shown.

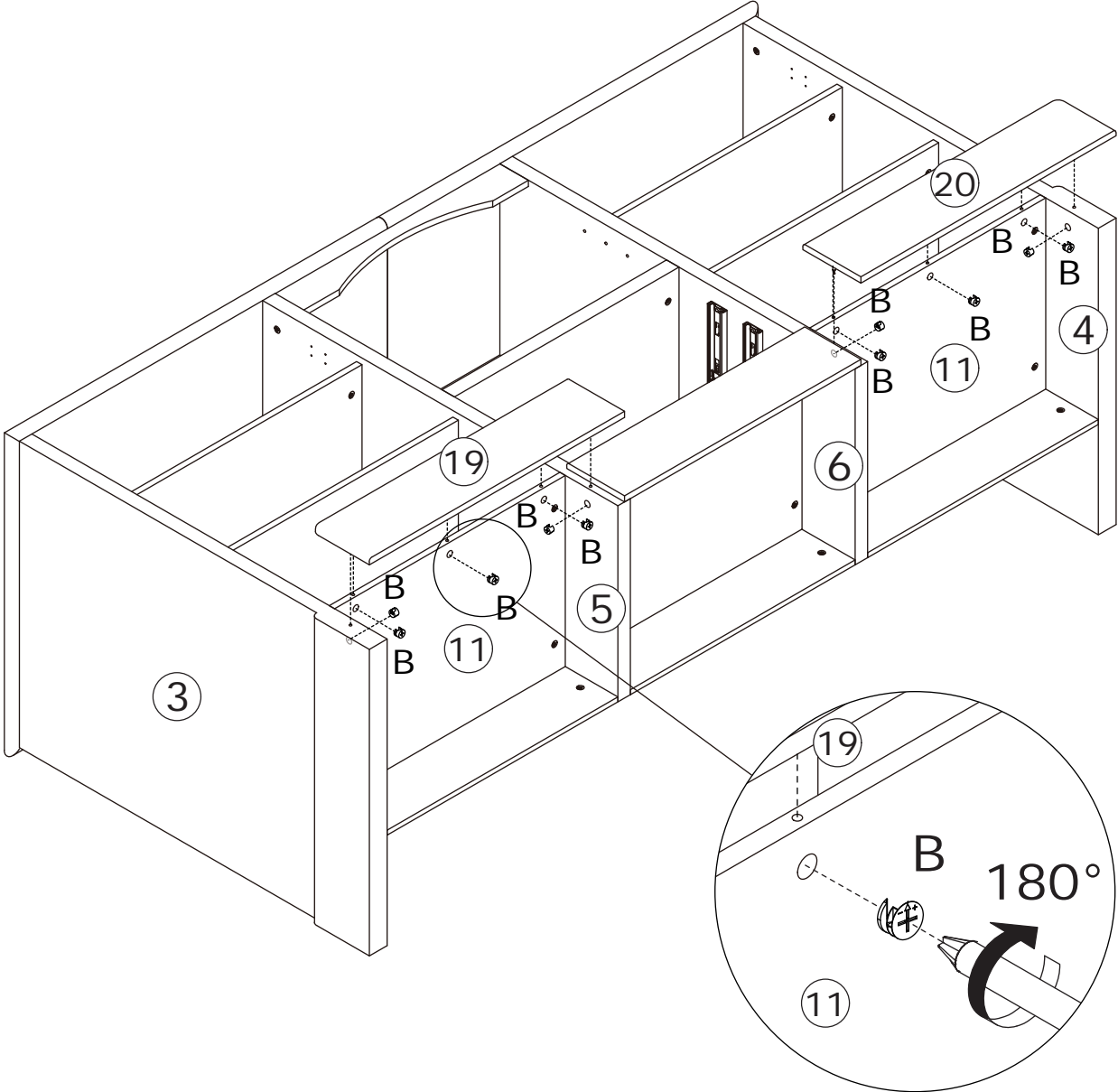


31

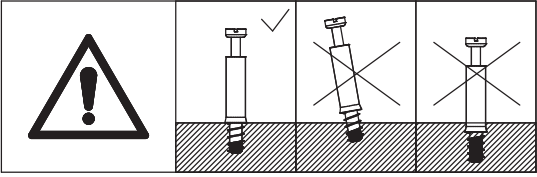
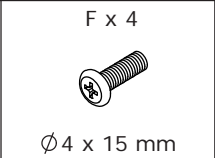
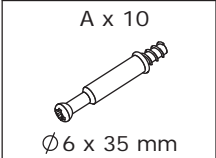
B x 10  
Ø9.5 x 15 mm



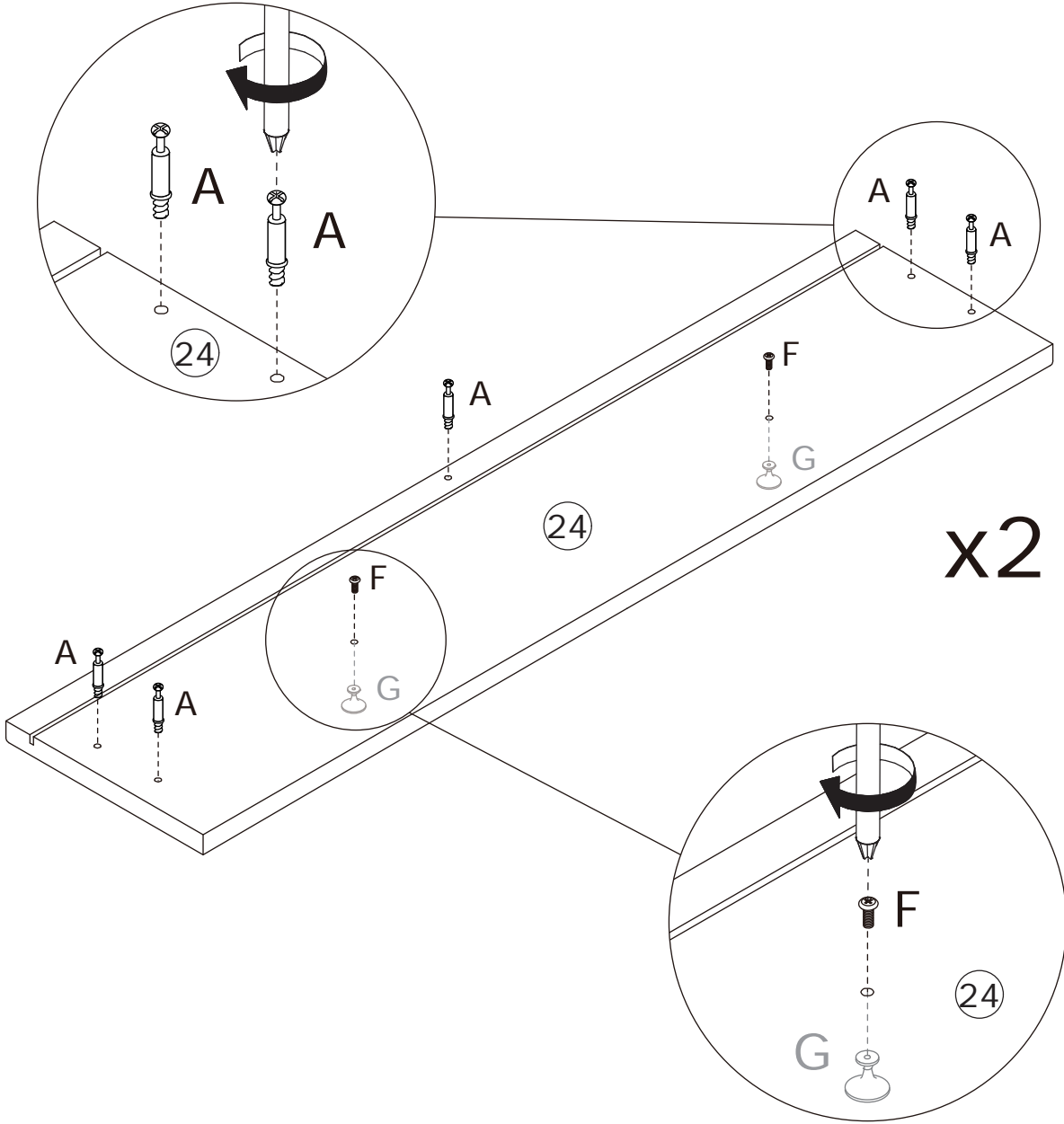
Connect board 19 to board 3, 5, and 11, board 20 to board 4, 6, and 11, tighten by turning cam lock (B) clockwise as shown.



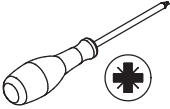
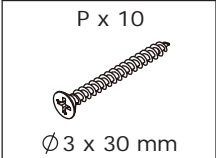
32



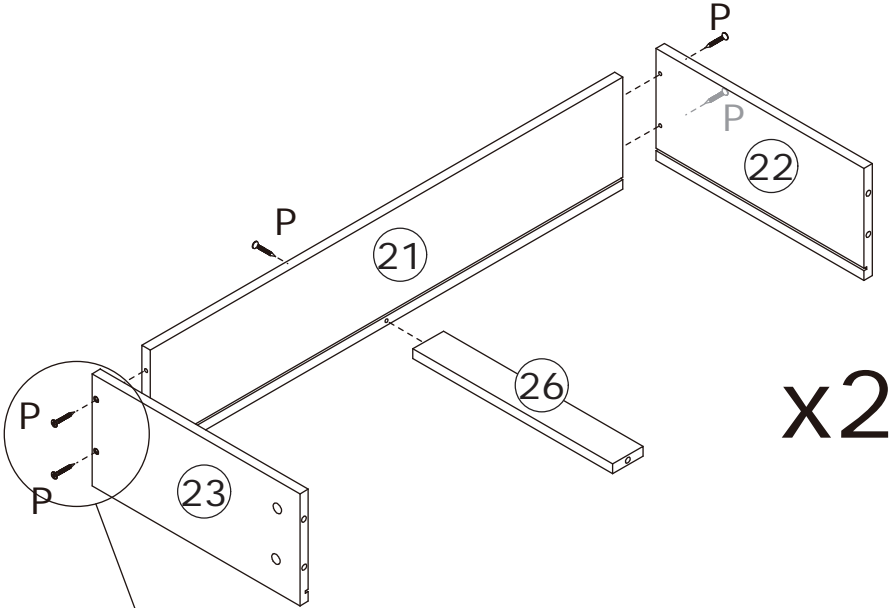
Screw eccentric rod (A) onto board 24 and secure knob (G) using screw (F) as shown.



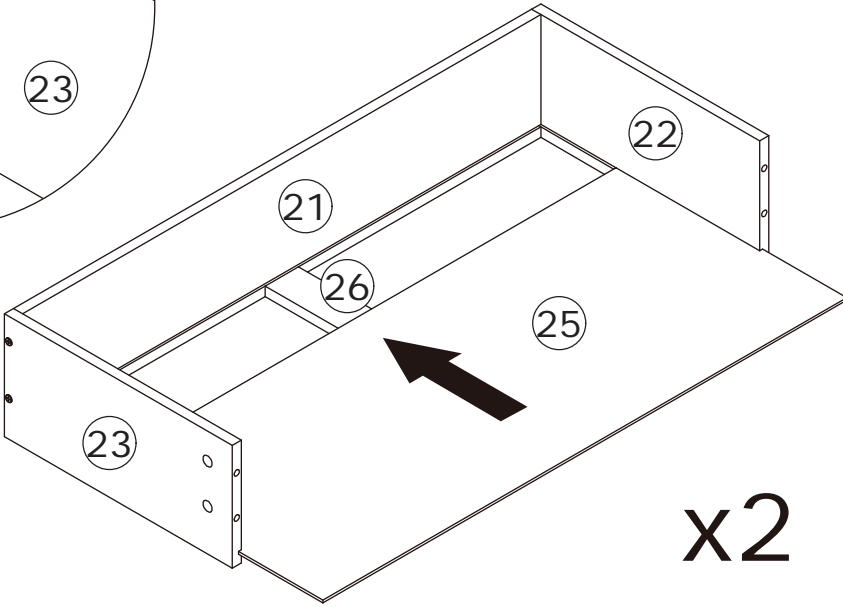
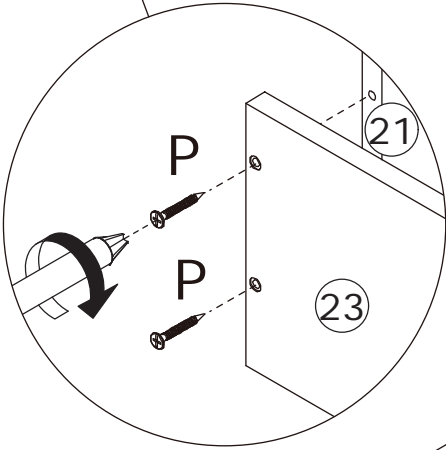
33



Secure board 21 to board 21, 22, and 23 using screw (P) as shown.

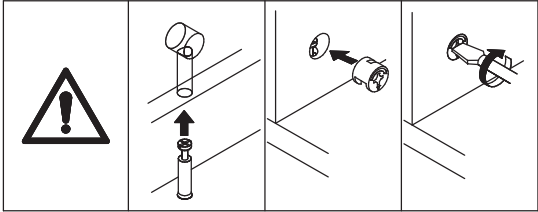
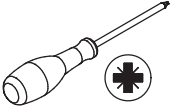


Insert board 25 along the grooves as shown.

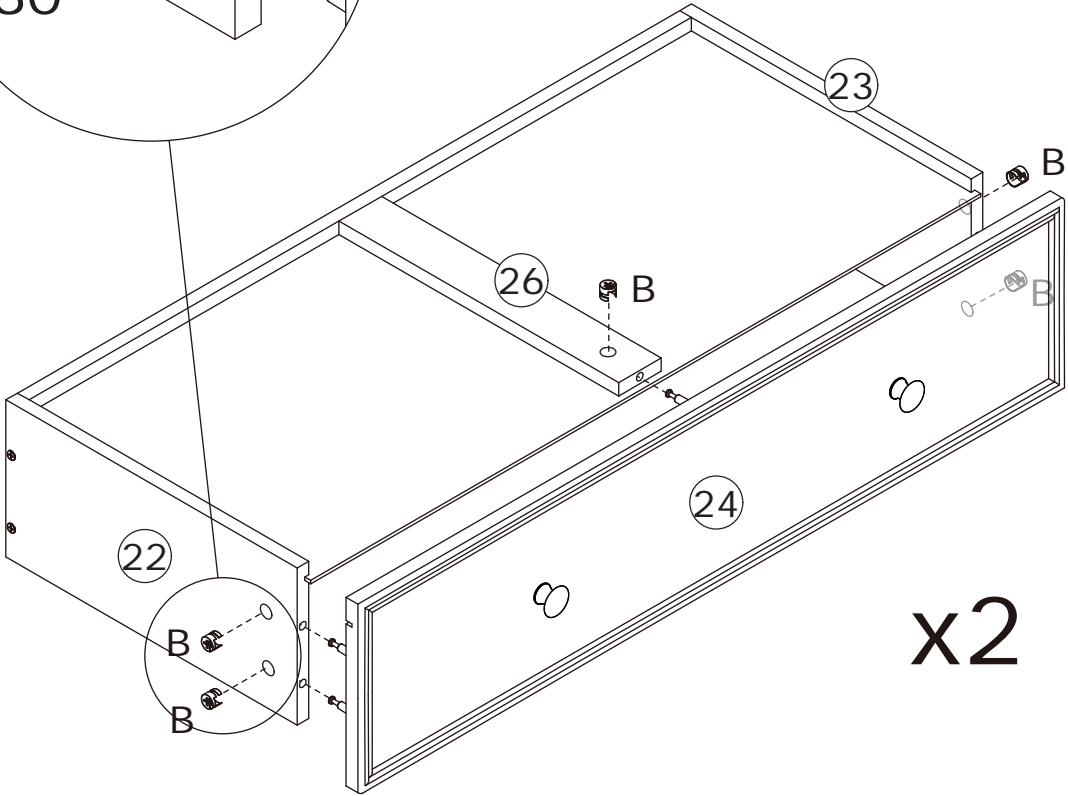
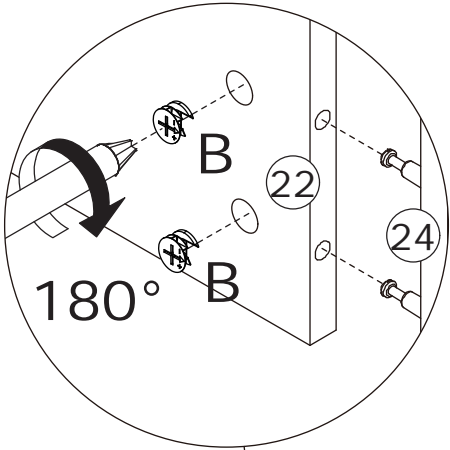


34

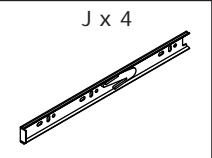
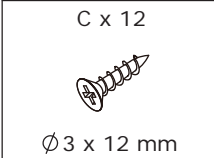
B x 10  
Ø9.5 x 15 mm



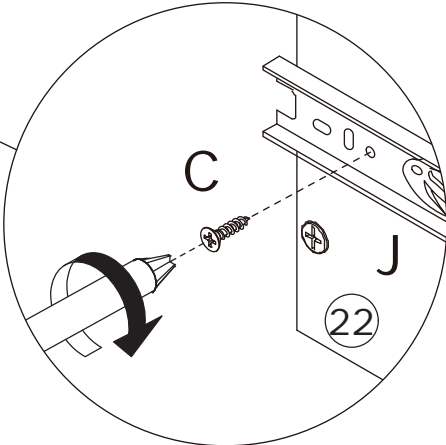
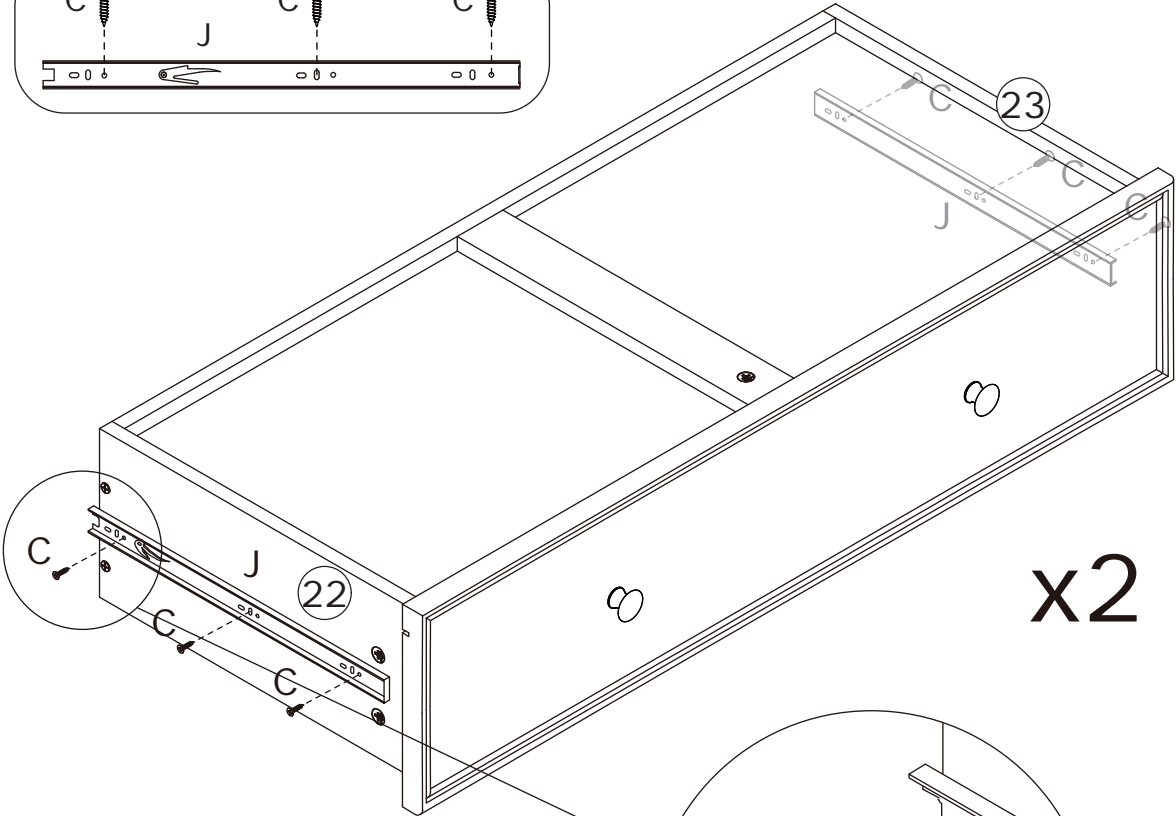
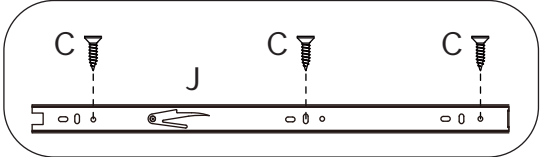
Connect board 22, 23, and 26 to board 24, tighten by turning cam lock (B) clockwise as shown.



35

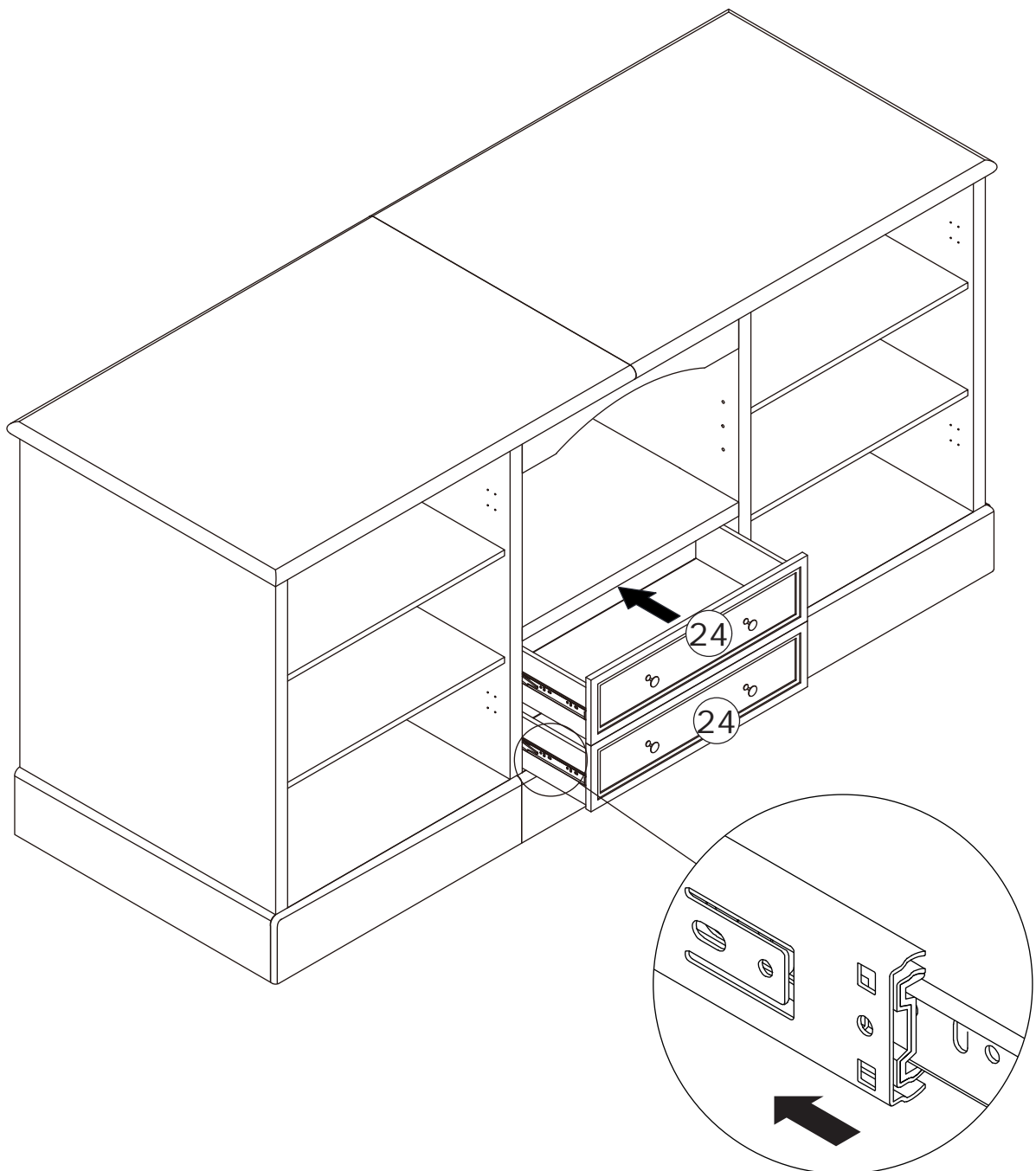


Secure slide rail (J) to board 22, 23 using screw (C) as shown.



36

Place the assembled drawers as shown.

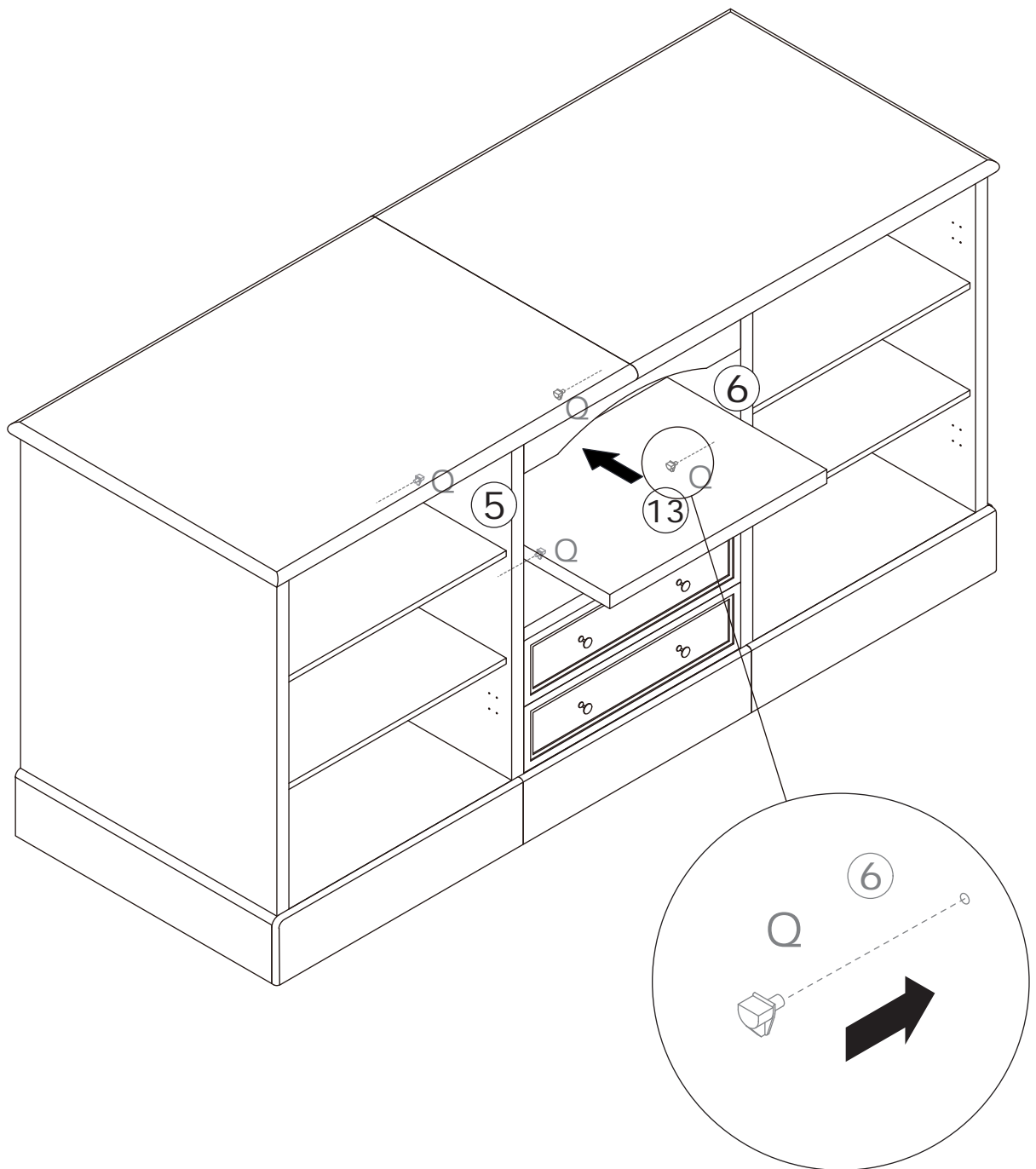


37

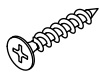



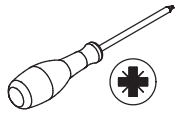
Q x 4



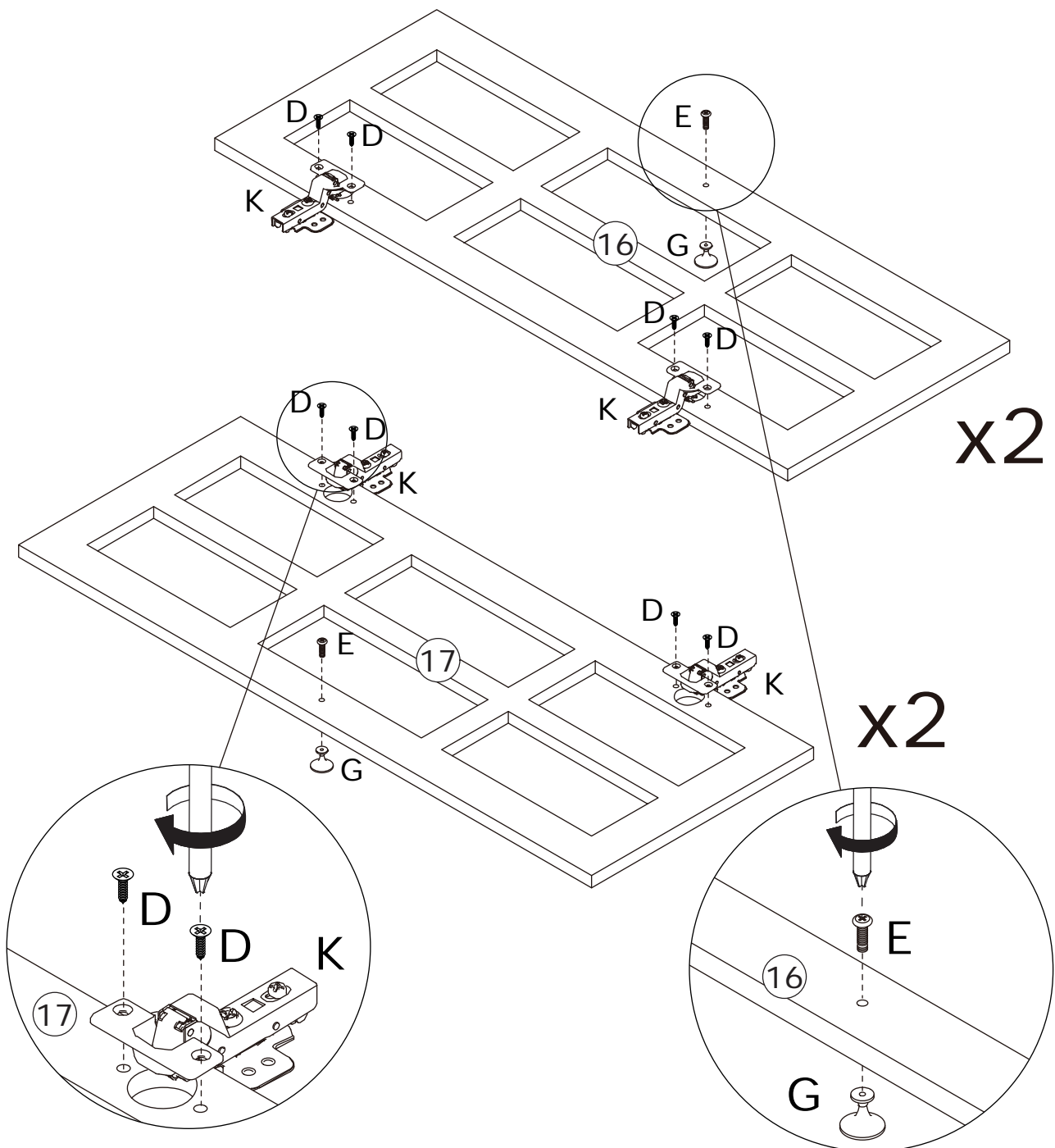
Insert pin (Q) to board 5 and 6, and then place board 13 as shown.



38

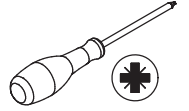
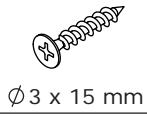
<p>D x 16</p>  <p>Ø3 x 15 mm</p>	<p>E x 4</p>  <p>Ø4 x 20 mm</p>	<p>G x 4</p> 	<p>K x 8</p> 	
---	--	--	---	---

Secure knob (G) board 16 and 17 using screw (E) as shown.  
Secure hinge (K) board 16 and 17 using screw (D) as shown.

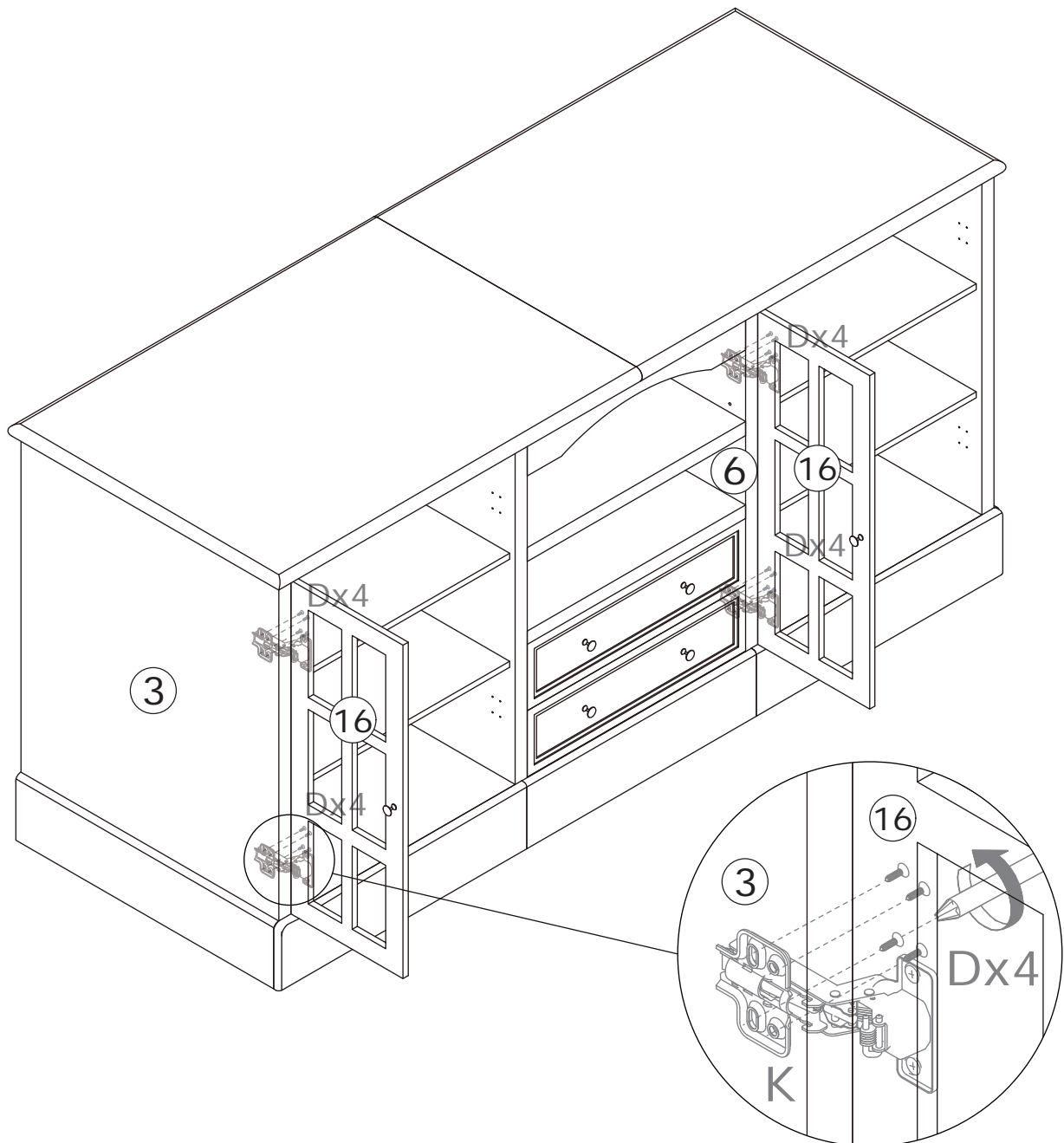


39

D x 16



Mount board 16 to board 3 and 6 using screw (D) as shown.

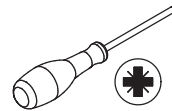


40

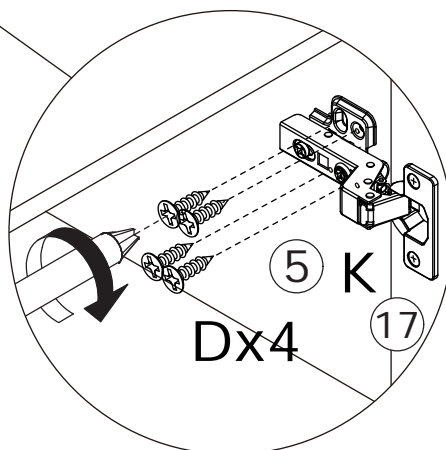
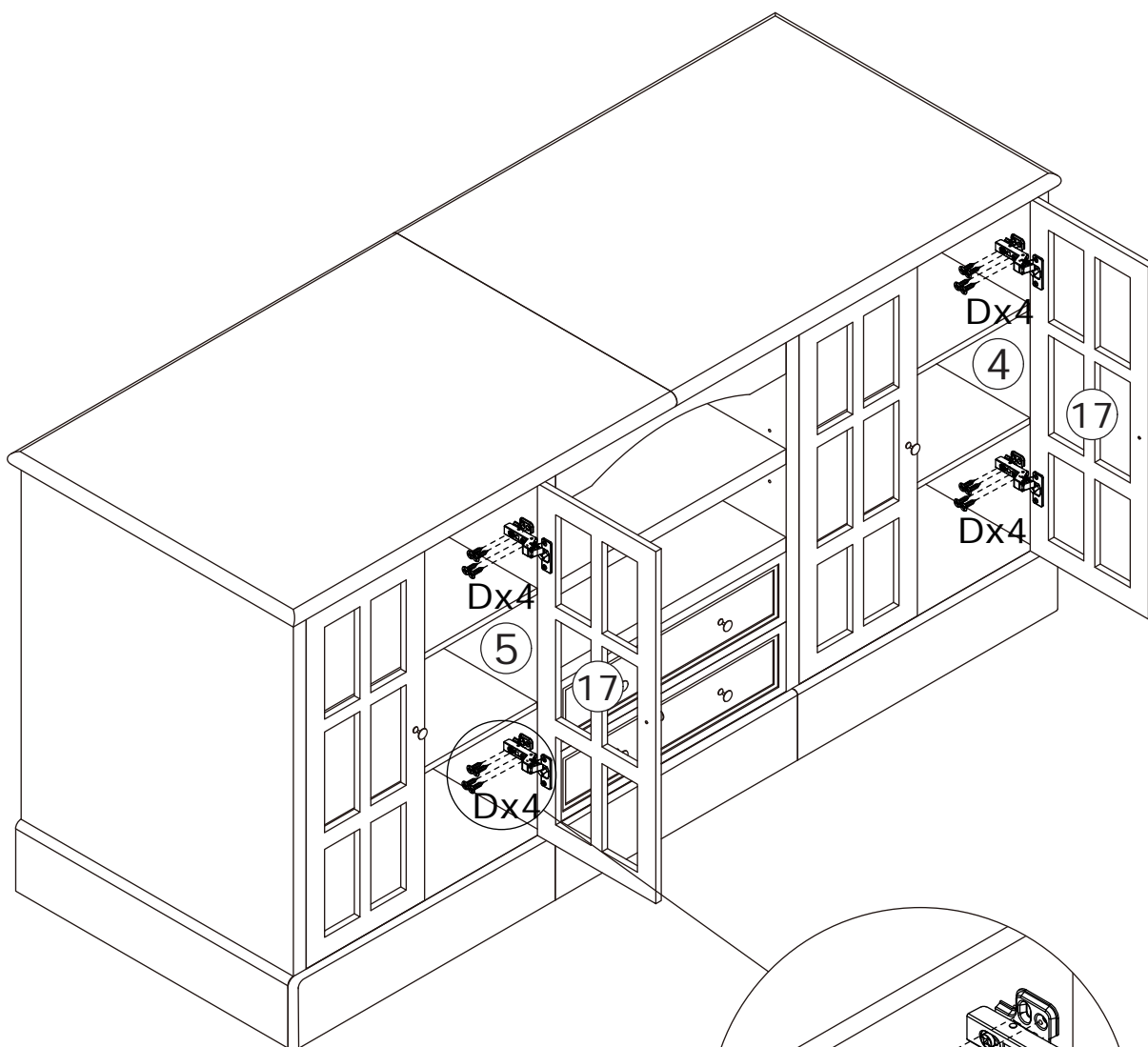
D x 16



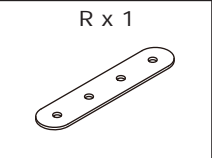
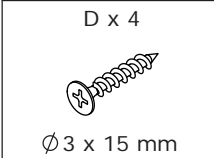
Ø3 x 15 mm



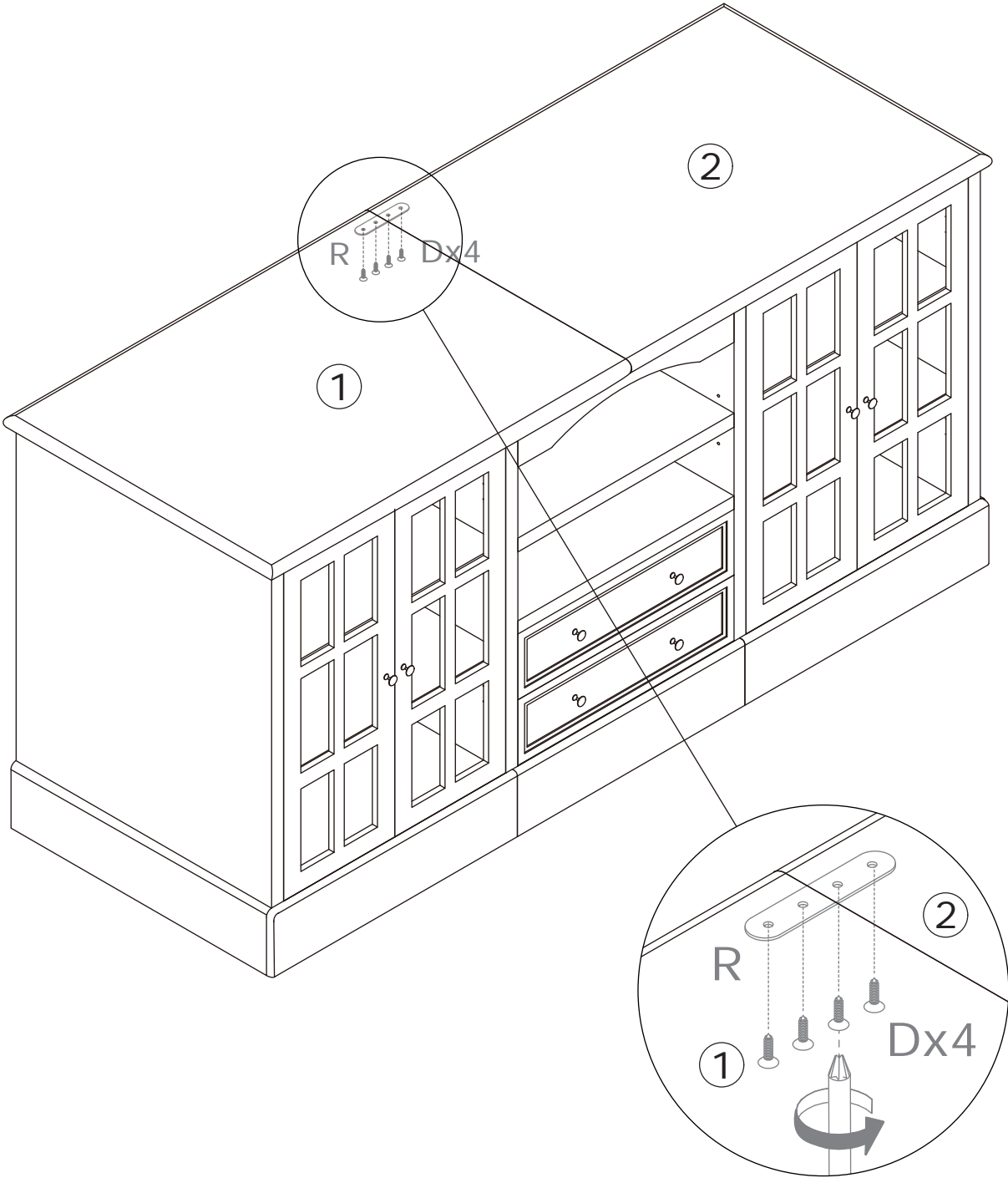
Mount board 17 to board 4 and 5 using screw (D) as shown.



41



Secure iron sheet (R) to board 1 and 2 using screw (D) as shown.



# WARRANTY

## WARRANTY CLAIMS

- There is a 30-day warranty for broken furniture or any other problems that do not work properly. The warranty will start from the date of purchase which must be verified by proof of purchase.
- Before making a claim, we may be able to answer your query, simply call us. Please leave your purchase order number, along with some details of the problem, if you want a replacement part. We will arrange within 48 hours. If there is out of stock, we will reply with a shipping date.
- The product must be used in accordance with the instructions provided. For health reasons.
- For other reasons, if the furniture needs to be returned, it must be cleaned and dried and operated within 30 days of receipt.

## Type of Warranty Claim

- Failure to follow the furniture instructions will invalidate the warranty. Attention please.
- Does not include damage during installation, but includes damage during transportation.

## Scope of responsibility

- Shall not bear any responsibility for misuse or user damage and / or loss of parts during the installation of furniture.
- After using, the damage and scratches of the furniture are not covered by the warranty.

## The Warranty Relates to All Bought in The Us and Covers The Following Areas

- Sheet parts: 1 month from the date of purchase.
- Electrical parts: 1 month from the date of purchase.

# RETURNS

## CHANGED YOUR MIND AND NEED TO RETURN YOU ITEM?

### PLEASE FOLLOW THE BELOW INSTRUCTIONS:

- If you have purchased and have simply changed your mind, follow the retailer's instructions for returns.

### DEFECTIVE ITEMS

- If your item is defective in any way, i.e. it doesn't work but you can't identify why, in the first instance, please call us.

### DAMAGED ITEMS

- If you receive an order with obvious shipping damage from the retailer, then we suggest the delivery is refused. If the delivery has been accepted and then shipping damage is found, please follow the specific instructions advised by the retailer.  
In all circumstances please save all packaging material and paperwork for the order. Please be aware that if you dispose of packaging material or attempt to return the merchandise without contacting the fulfiller, you jeopardise your chances of making a claim, and you may not receive a credit for the return.