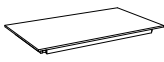




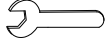


ASSEMBLY INSTRUCTIONS

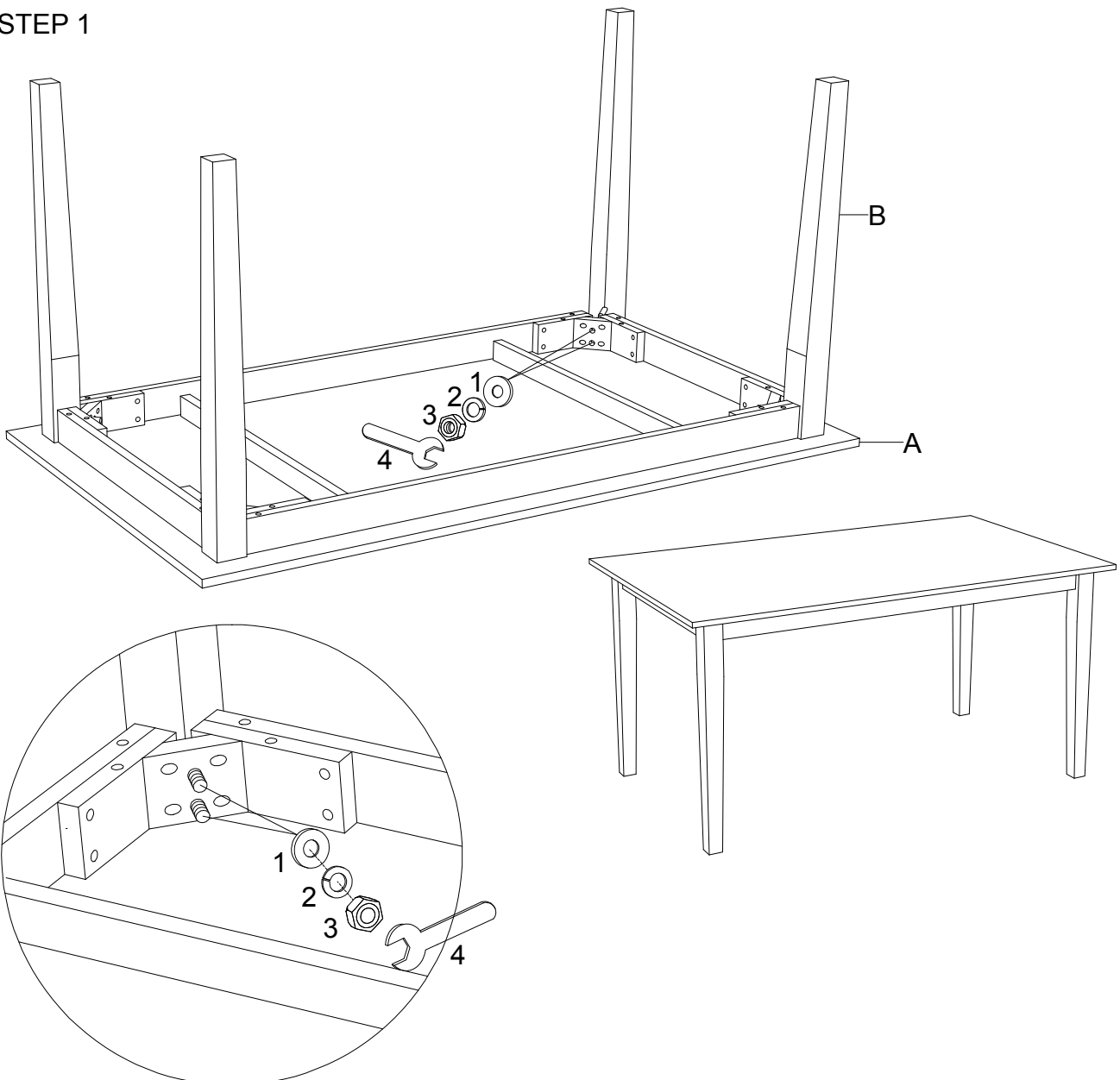
DIXON DINING TABLE

Thank you for purchasing this quality product. Be sure to check all packing material carefully for small parts, which may have come loose inside the carton during shipment. Identify and count all parts and compare with the **HARDWARE LIST** below.

NO.	PARTS LIST		Q'TY
A		Table Top	1
B		Table Legs	4

NO.	HARDWARE LIST		Q'TY
1		Ø5/16" FLAT WASHER	8
2		Ø5/16" SPRING WASHER	8
3		Ø5/16" NUT	8
4		Ø5/16" OPEN WRENCH	1

STEP 1

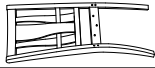
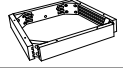
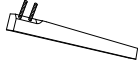






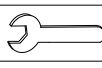



Assembly completed

ASSEMBLY INSTRUCTIONS

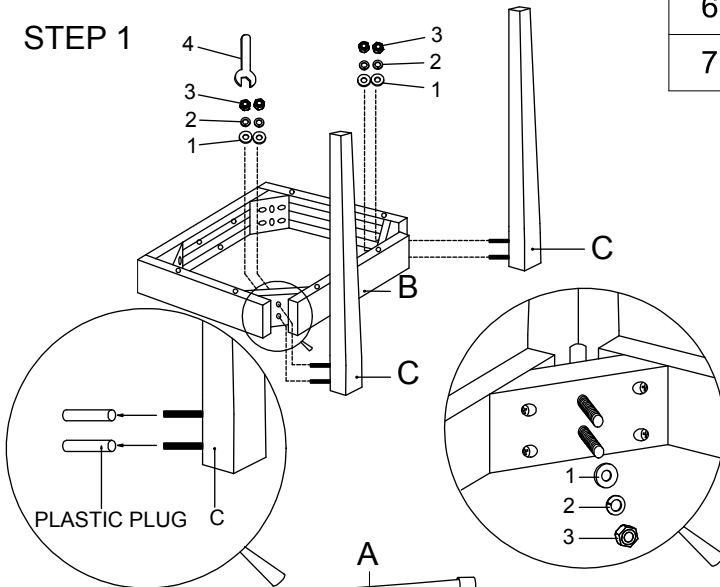
DIXON DINING CHAIR

Thank you for purchasing this quality product. Be sure to check all packing material carefully for small parts, which may have come loose inside the carton during shipment. Identify and count all parts and compare with the **HARDWARE LIST** below.

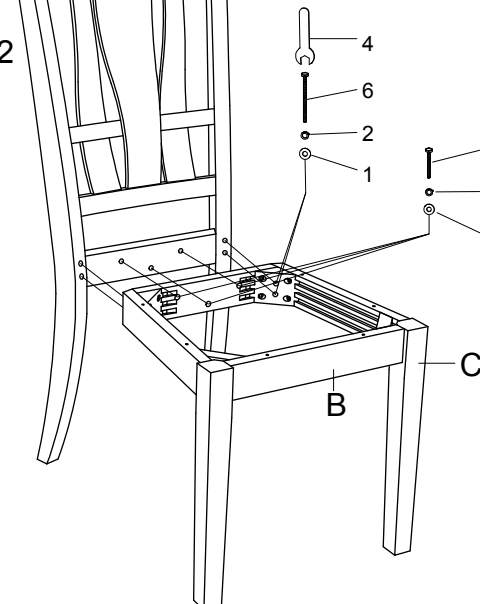
NO.	PARTS LIST		Q'TY
A		Chair Back	1
B		Seat	1
C		Front legs	2
D		Cushion Seat	1

NO.	HARDWARE LIST		Q'TY
1		Ø5/16" FLAT WASHER	11
2		Ø5/16" SPRING WASHER	11
3		Ø5/16" NUT	4
4		Ø5/16" OPEN WRENCH	1
5		Ø1/4 x 1 3/4" SHORT BOLT	3
6		Ø1/4 x 3" LONG BOLT	4
7		Ø5/32 x 1 1/2" SCREW	6

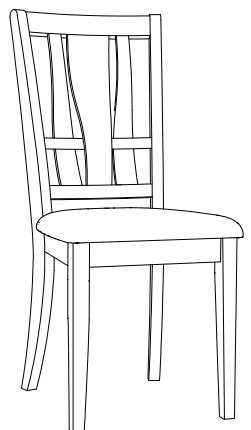
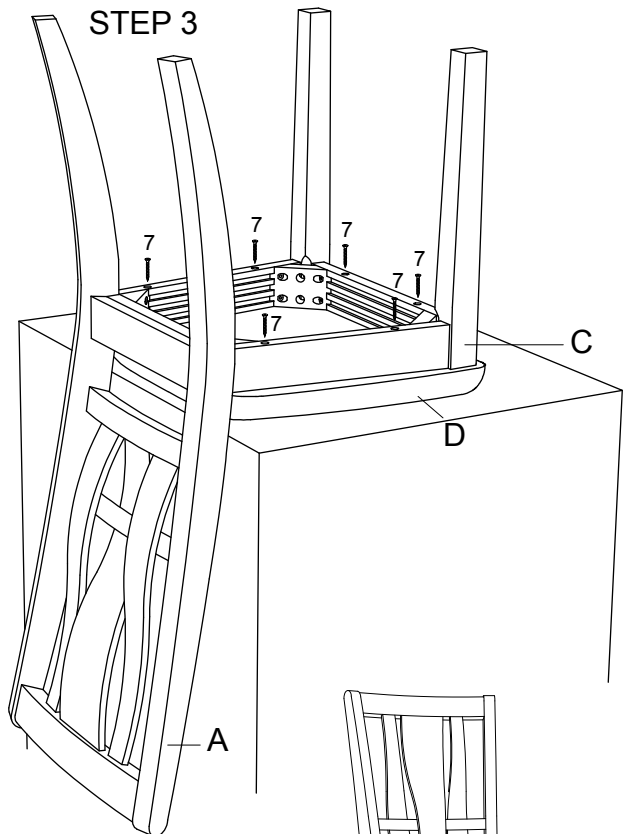
STEP 1



STEP 2



STEP 3


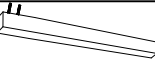
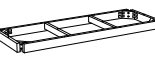


Assembly completed

ASSEMBLY INSTRUCTIONS

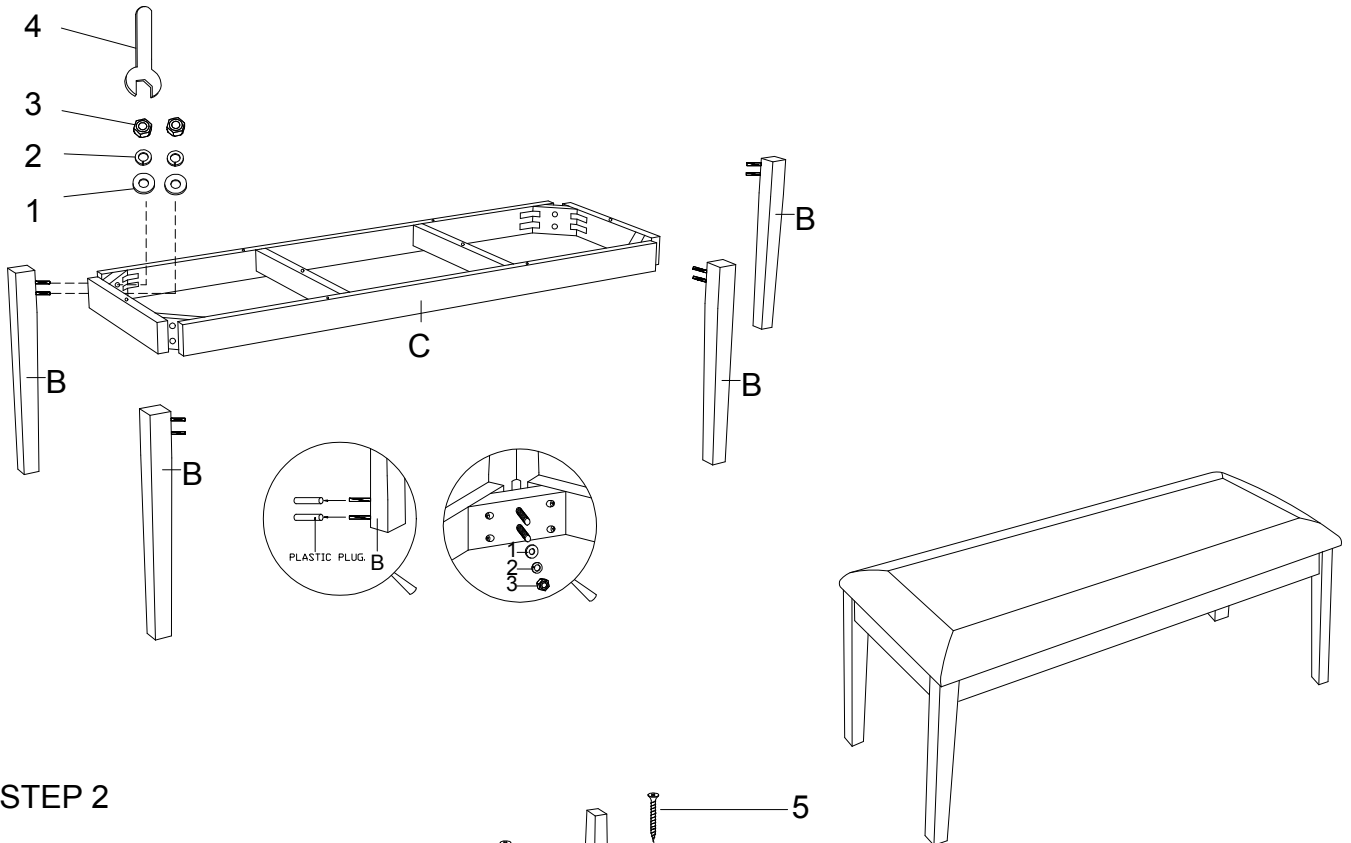
DIXON DINING BENCH

Thank you for purchasing this quality product. Be sure to check all packing material carefully for small parts, which may have come loose inside the carton during shipment. Identify and count all parts and compare with the **HARDWARE LIST** below.

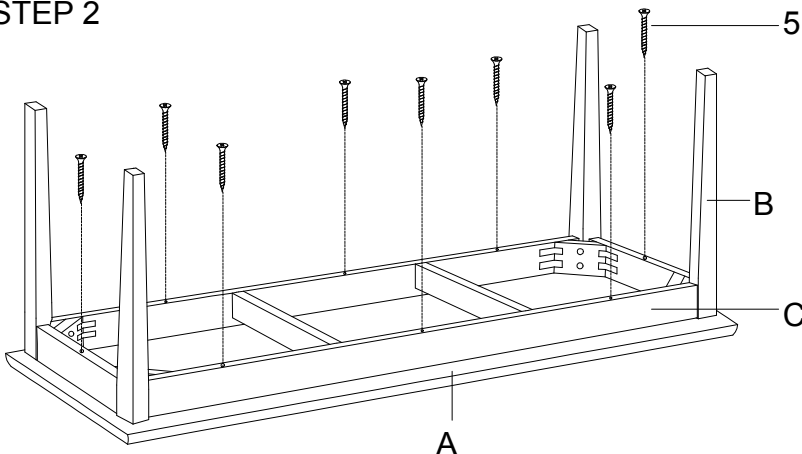
NO.	PARTS LIST		Q'TY
A		Cushion Seat	1
B		Front Legs	4
C		Seat Frame	1

NO.	HARDWARE LIST		Q'TY
1		Ø5/16" FLAT WASHER	8
2		Ø5/16" SPRING WASHER	8
3		Ø5/16" NUT	8
4		Ø5/16" OPEN WRENCH	1
5		Ø5/32 x 1 1/2" SCREW	8

STEP 1



STEP 2



Assembly completed