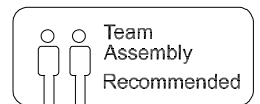
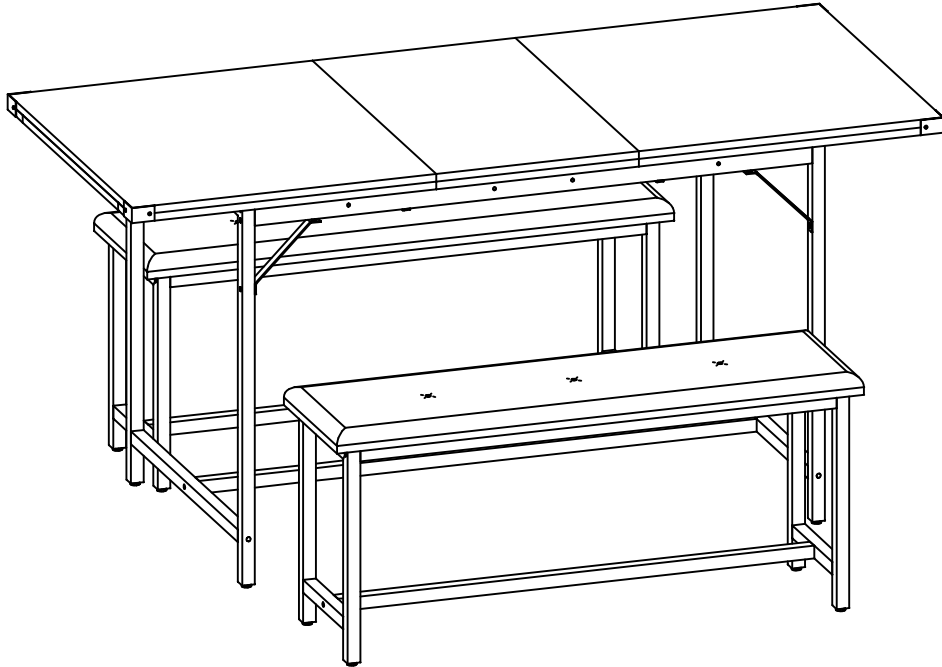


Assembly Instruction



Trouble shooting:

Missing / Wrong / Broken parts and installation issues



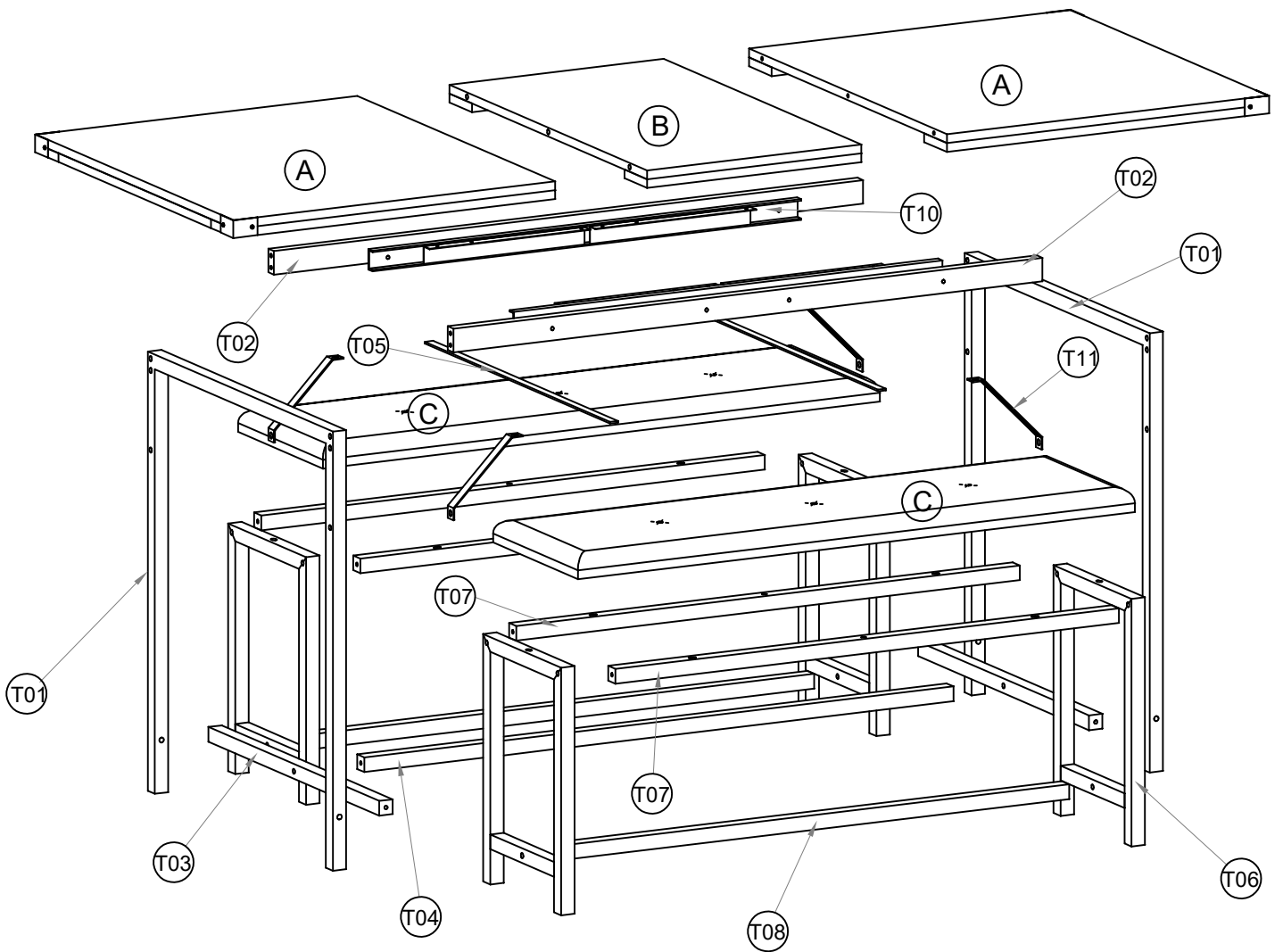
Send email with your question pie ,order NO. and screenshot of order details



Respond within 24 hours



Issue resolved



Note: Don't tighten all screws during installation.

Components:

	-----	Ⓐ X 2
	-----	Ⓑ X 1
	-----	Ⓒ X 2
	-----	Ⓓ X 2
	-----	Ⓔ X 2
	-----	Ⓕ X 2
	-----	Ⓖ X 1
	-----	Ⓗ X 2
	-----	Ⓙ X 4
	-----	Ⓚ X 4
	-----	Ⓛ X 2
	-----	Ⓜ X 2
	-----	Ⓨ X 4

Screws & Tools:

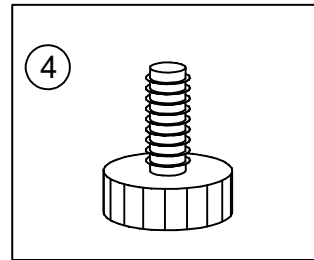
①		M6X35	X 42
②		M6X15	X 12
③		M6X15	X 4
④			X 12
⑤		M4X25	X 8
⑥		D3X12	X 12
⑦			X 8
⑧			X 1
⑨		#3	X 1
⑩		#4	X 1

Check all the components & screws before assembly.

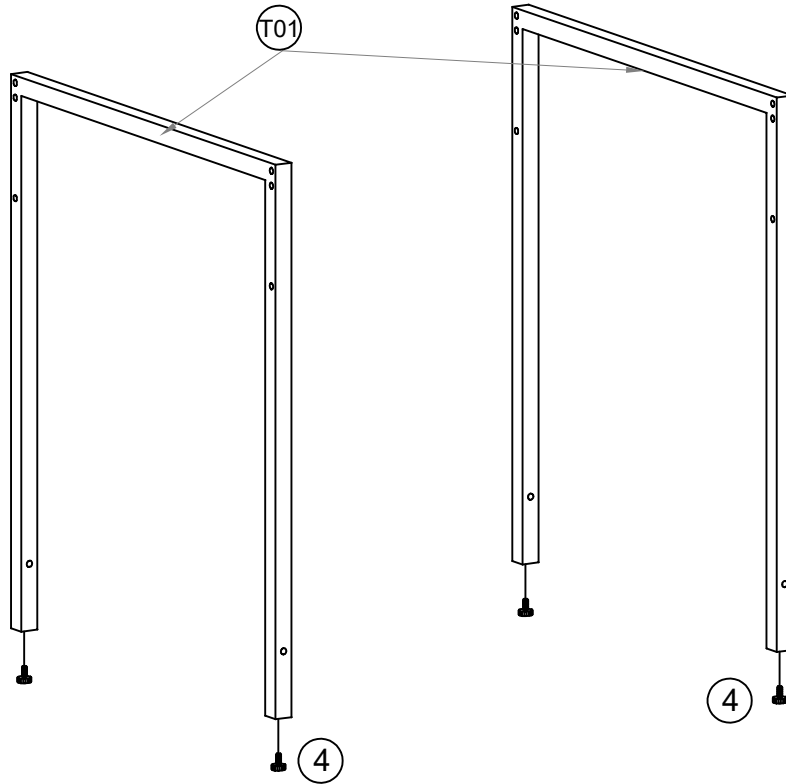
Do not install in case part is missing, contact us to get.

Send email with your question to us
We will resend within 24 hours.

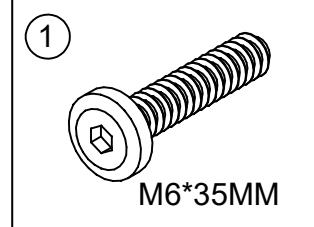
Step1:



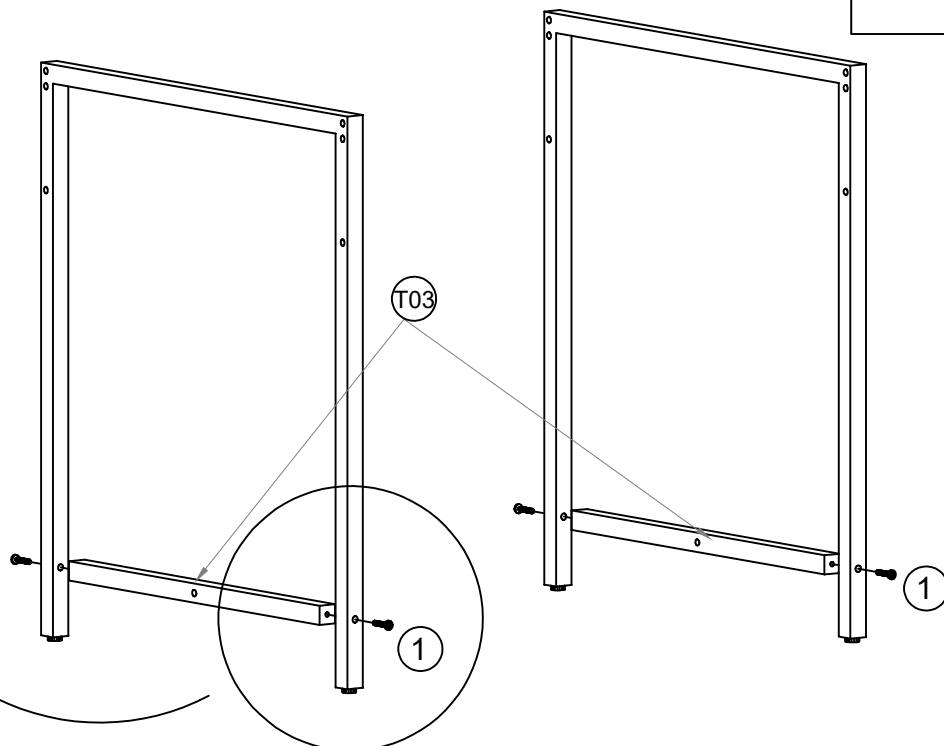
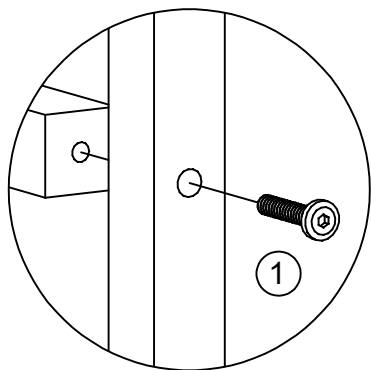
4 PCS



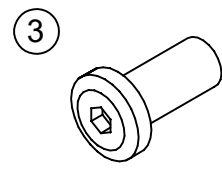
Step2:



4 PCS

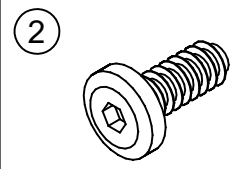


Step4:



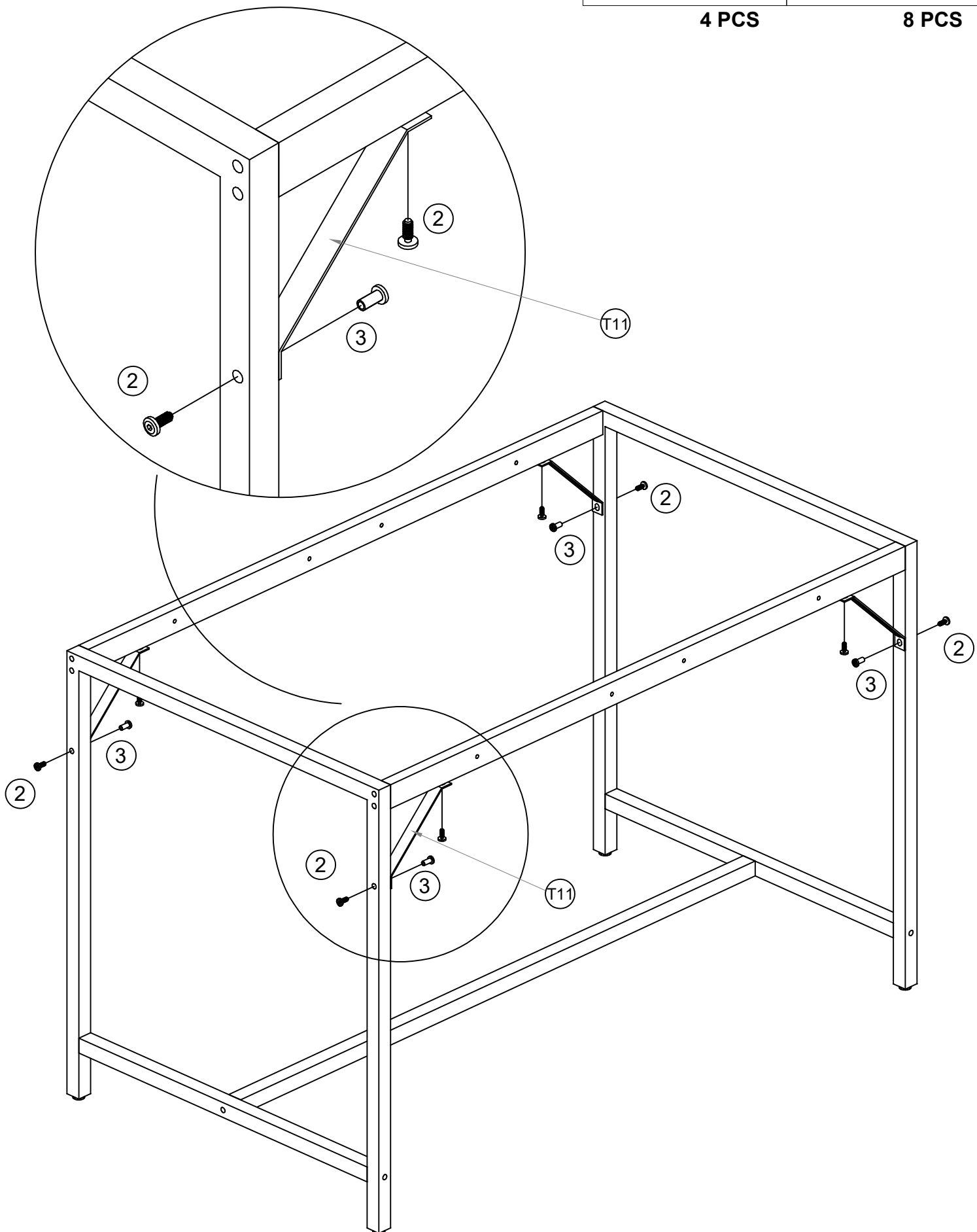
M6*15

4 PCS



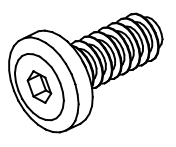
M6*15MM

8 PCS



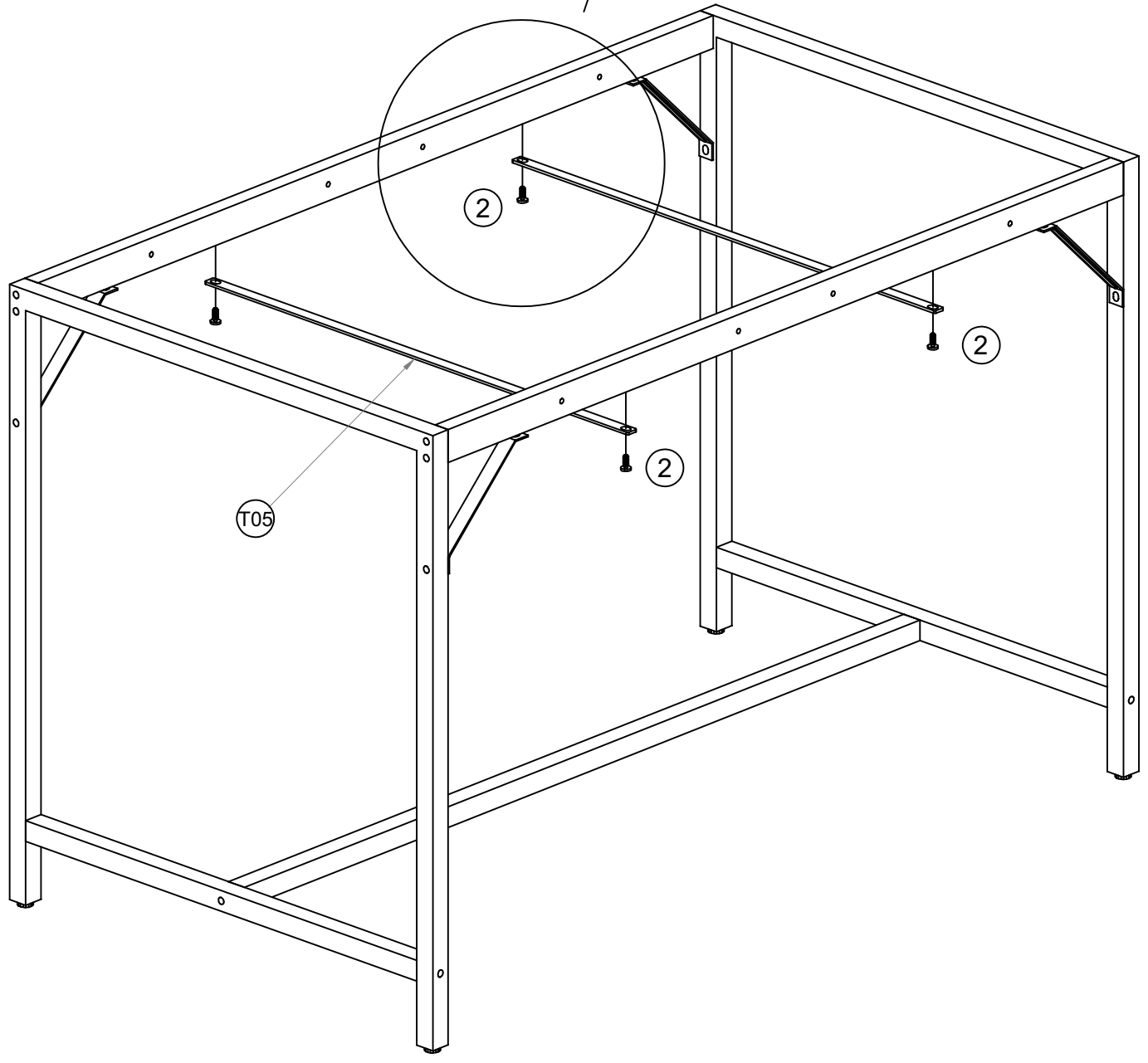
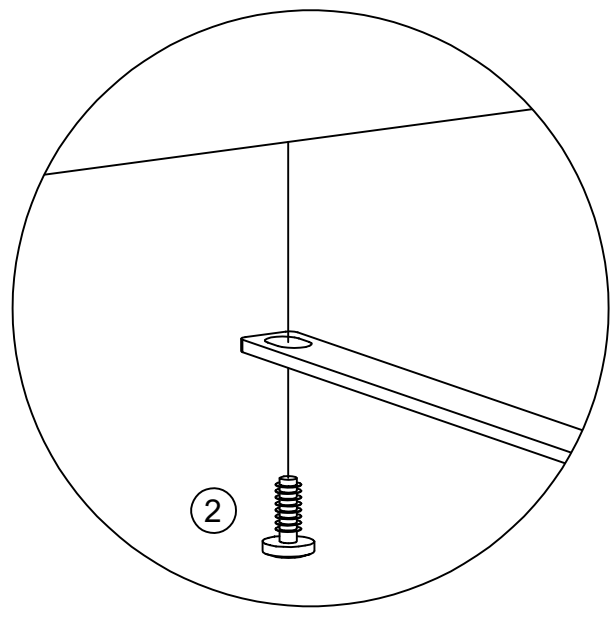
Step 5:

2

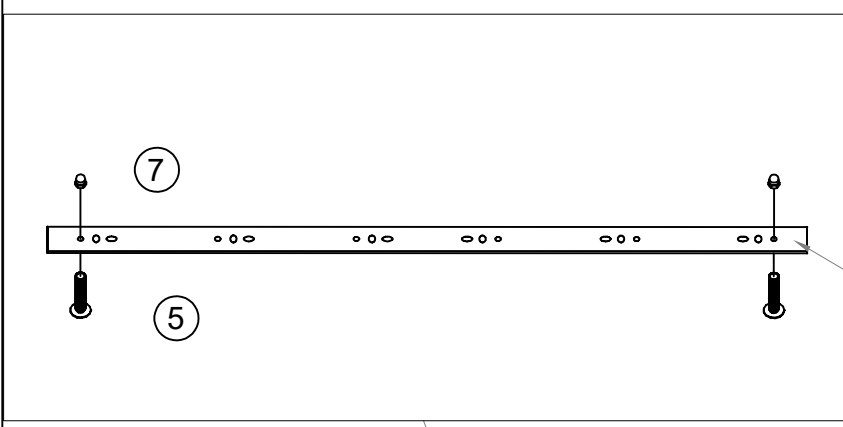
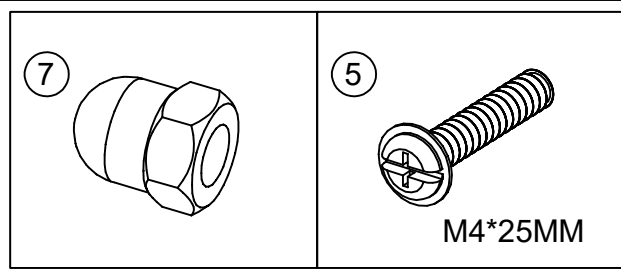


M6*15MM

4 PCS

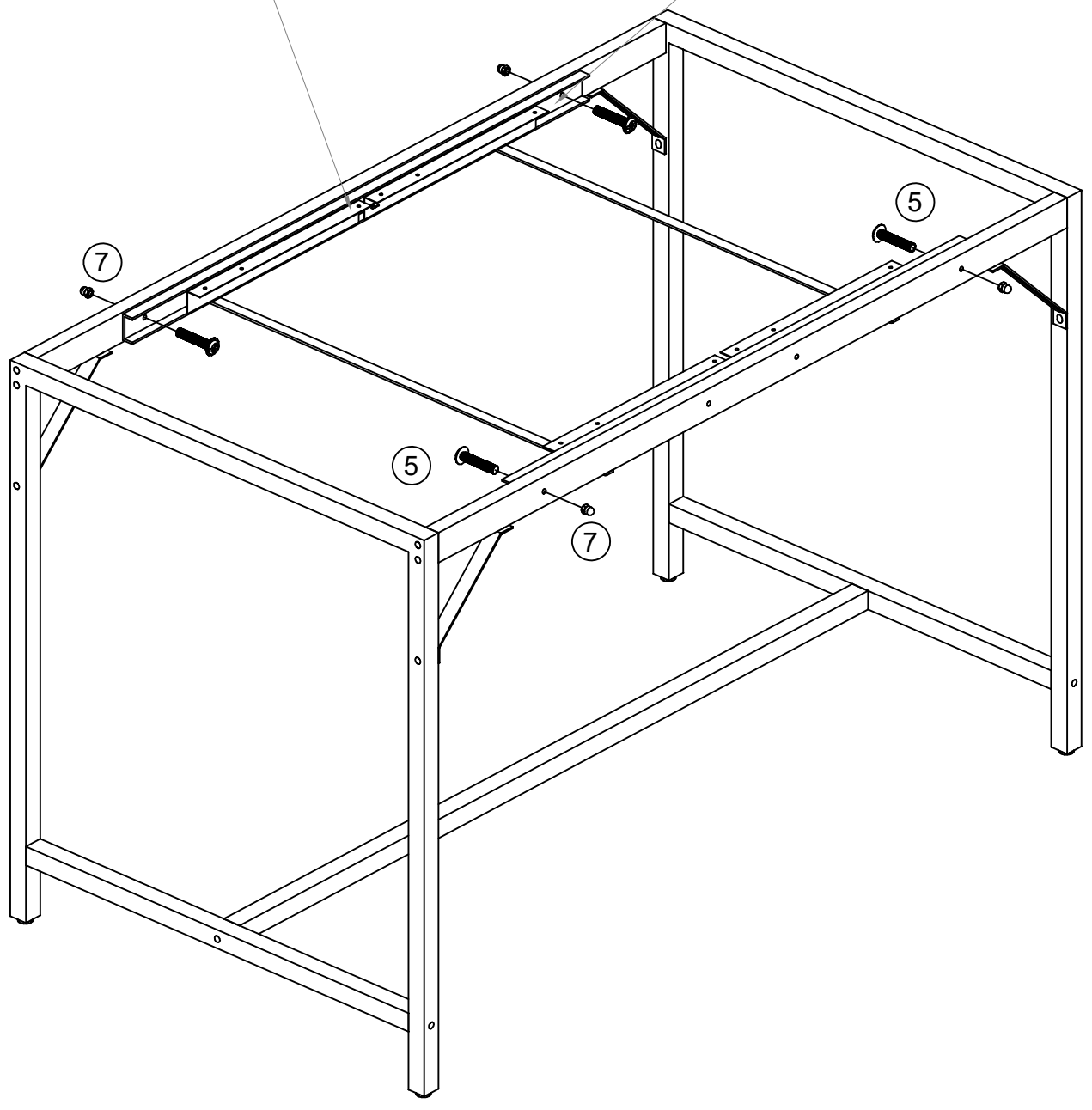


Step 6:

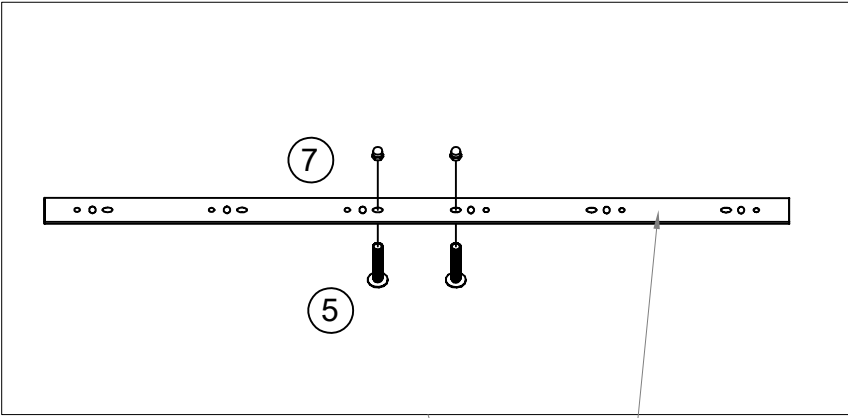
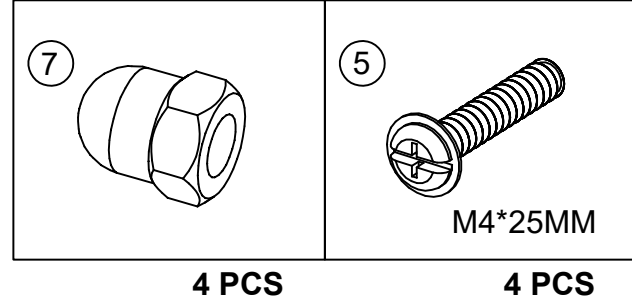


T10

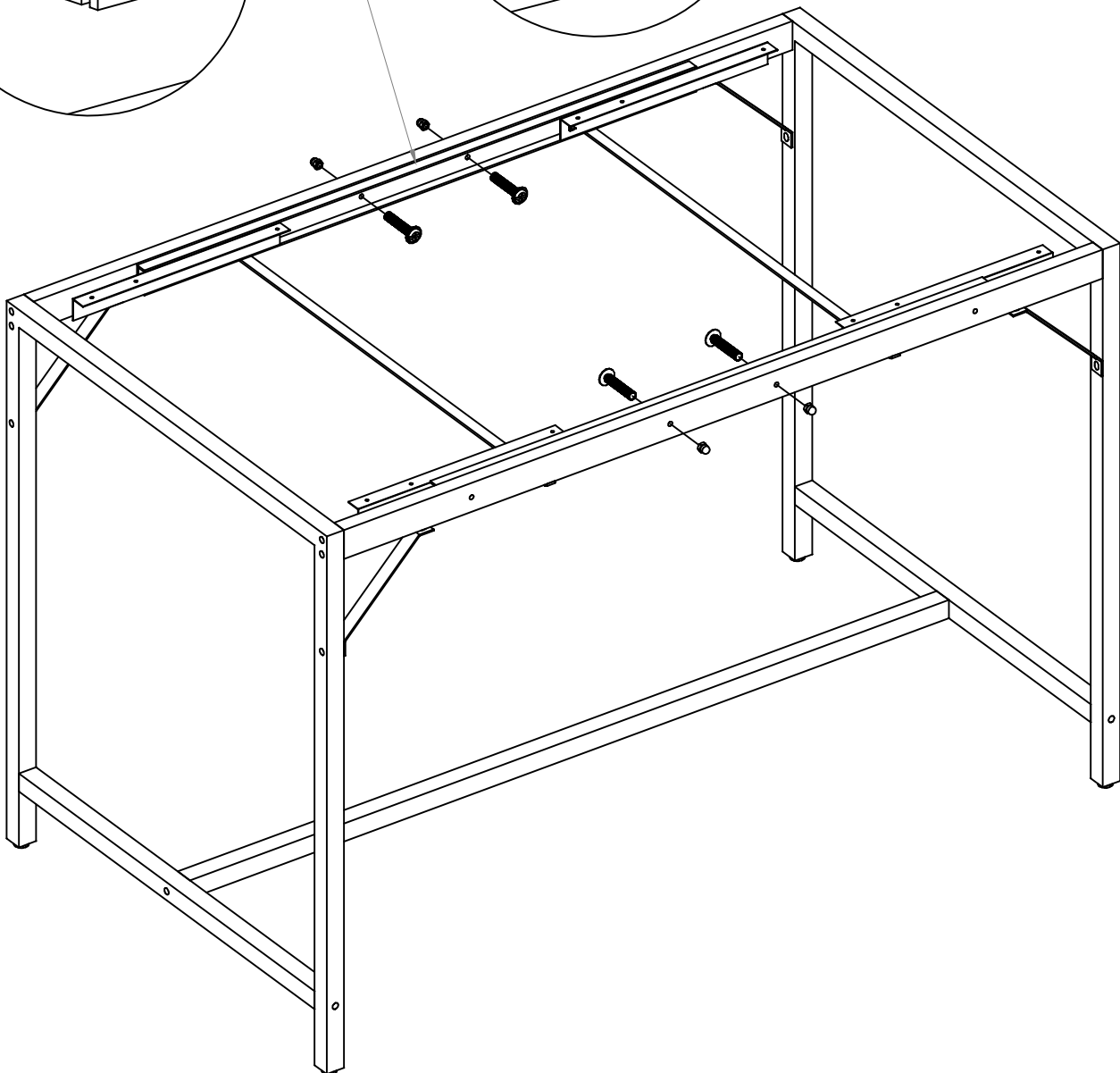
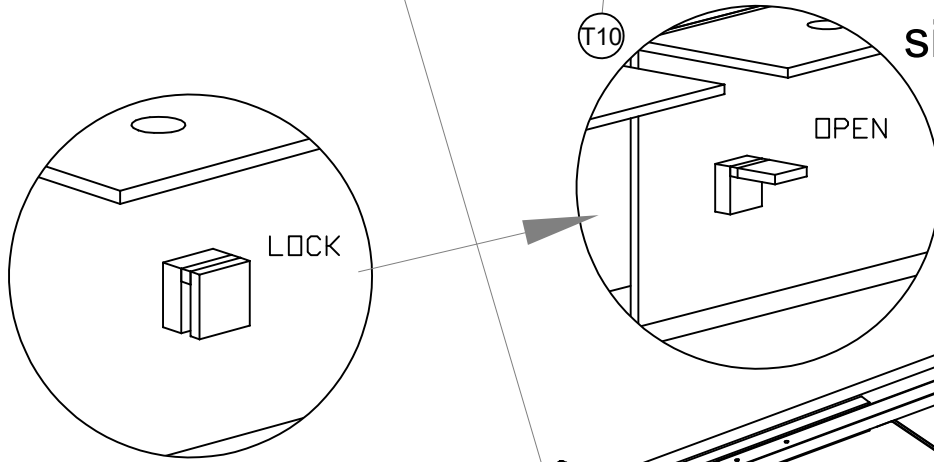
Noted direction



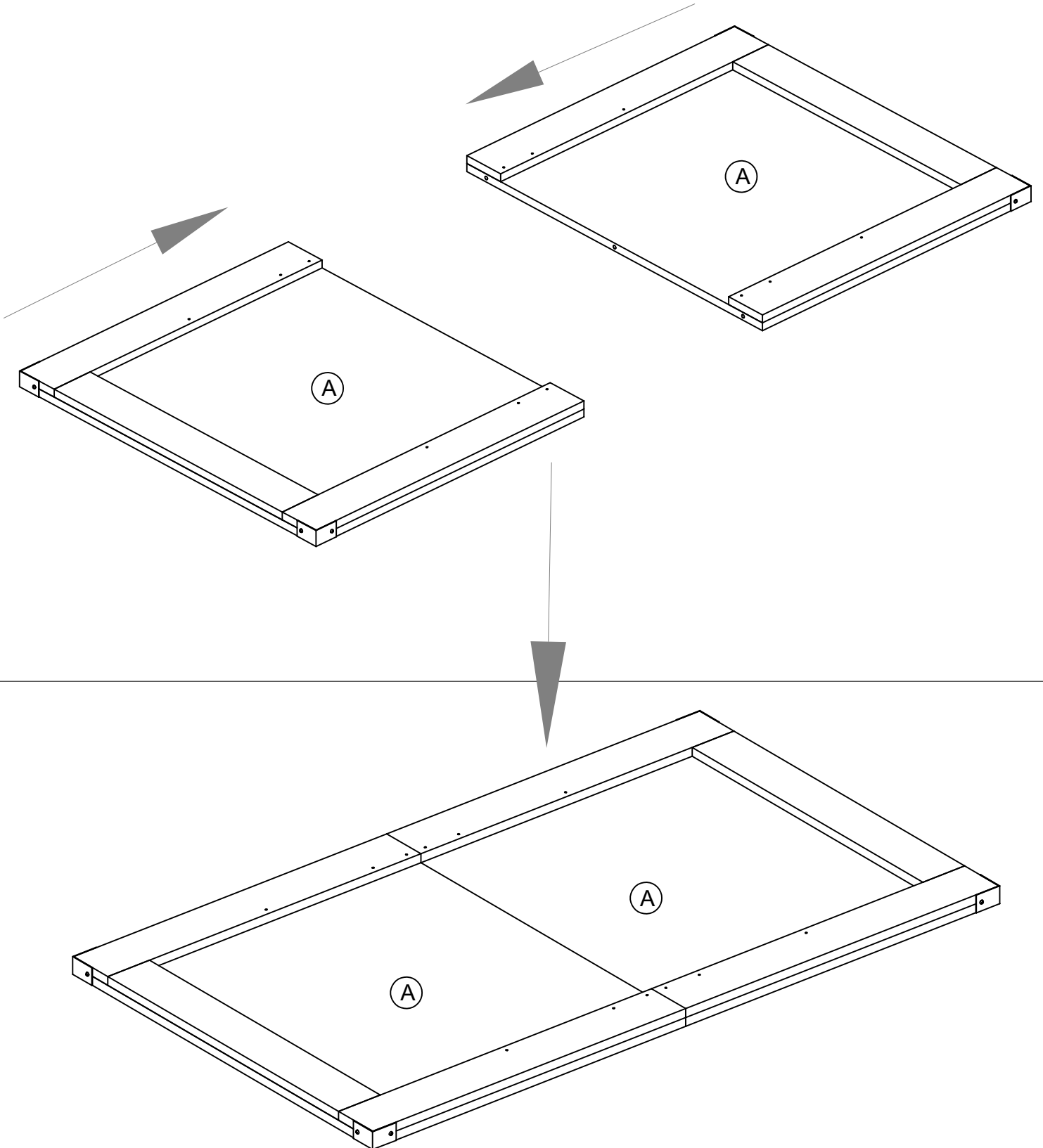
Step 7:



When locked, tracks can not be moved. When open, the track can move to both sides.

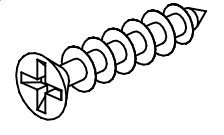


Step 8:



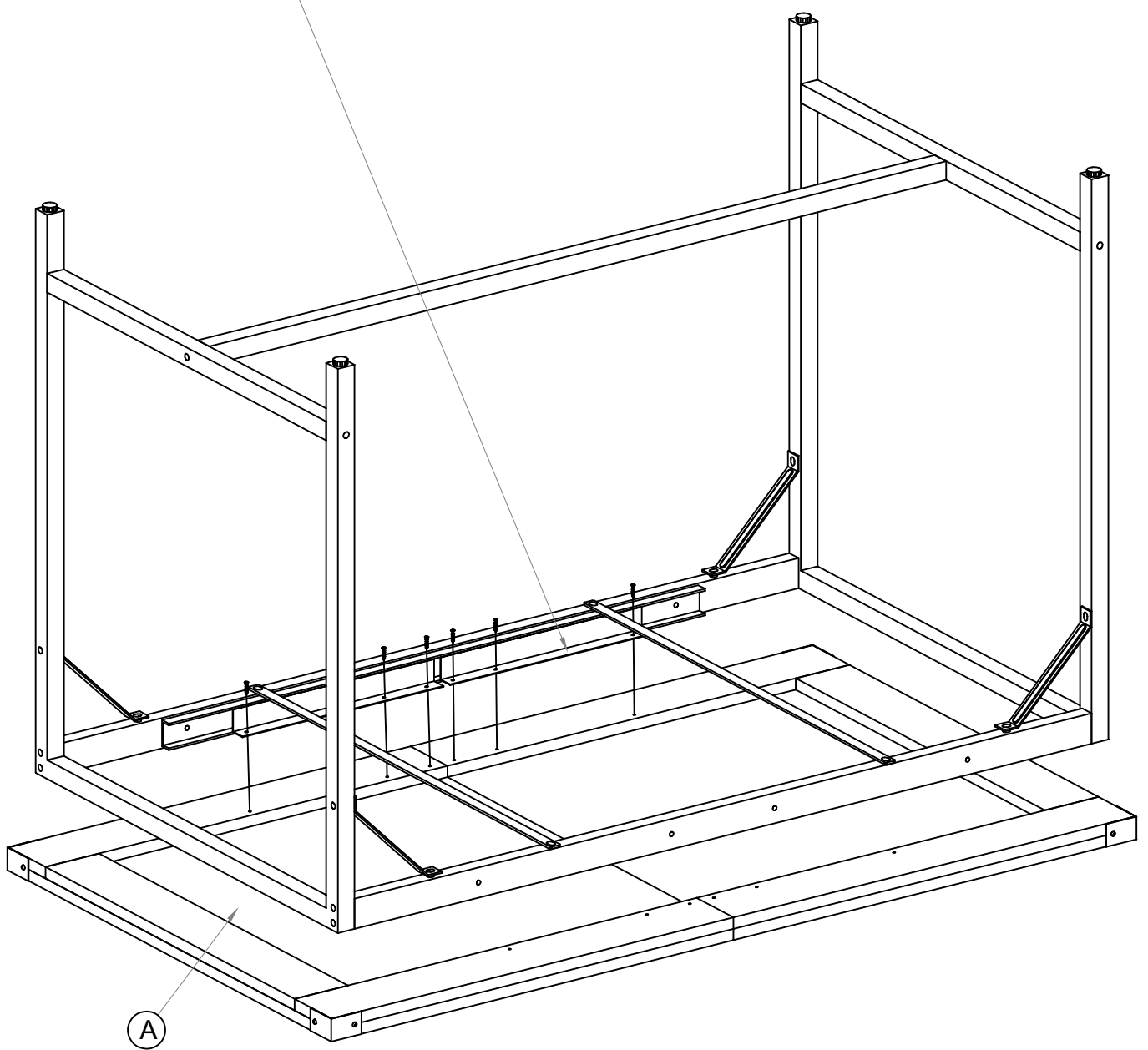
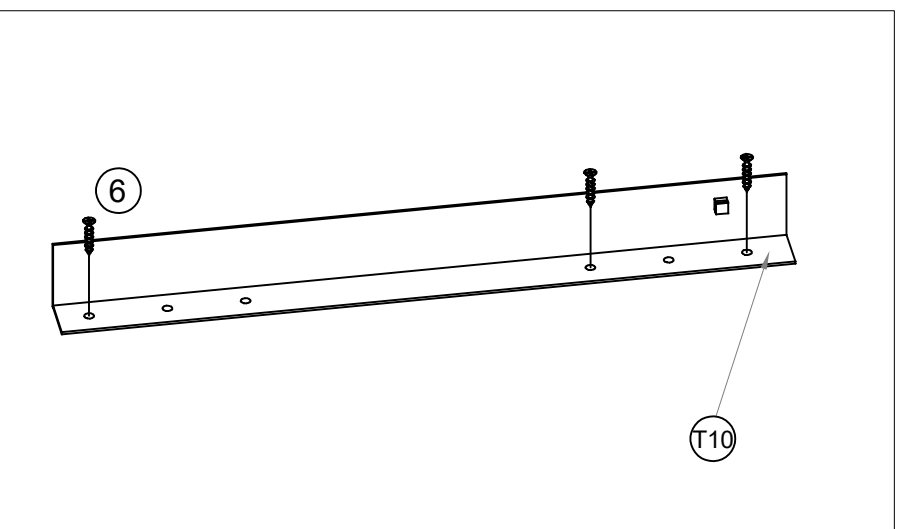
Step9:

6



D3X12MM

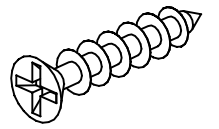
6 PCS



A

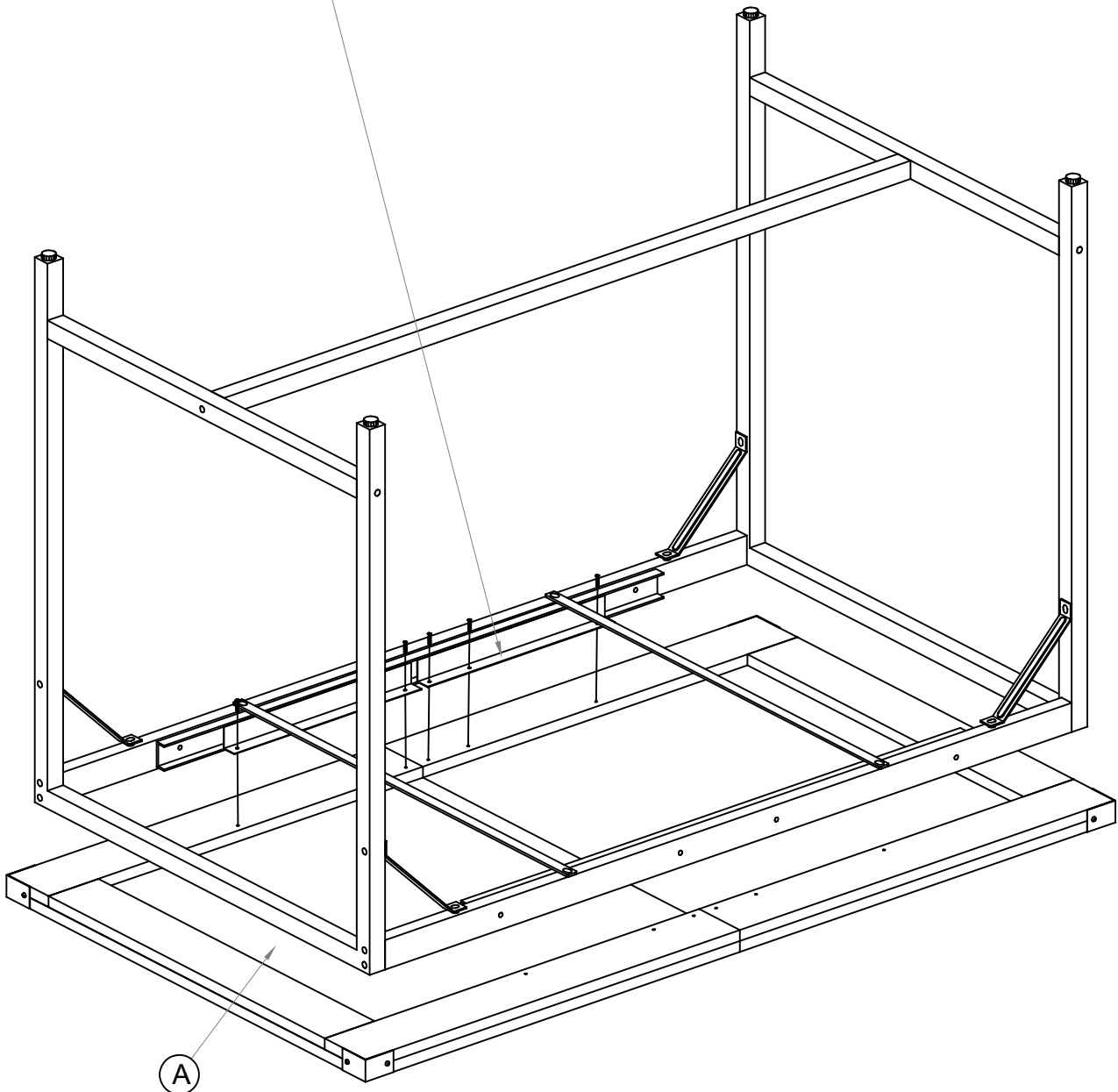
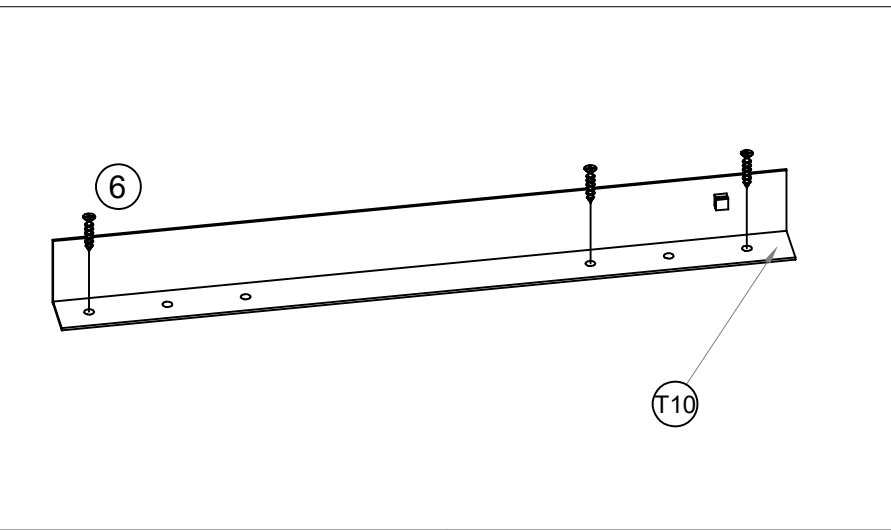
Step 10:

6

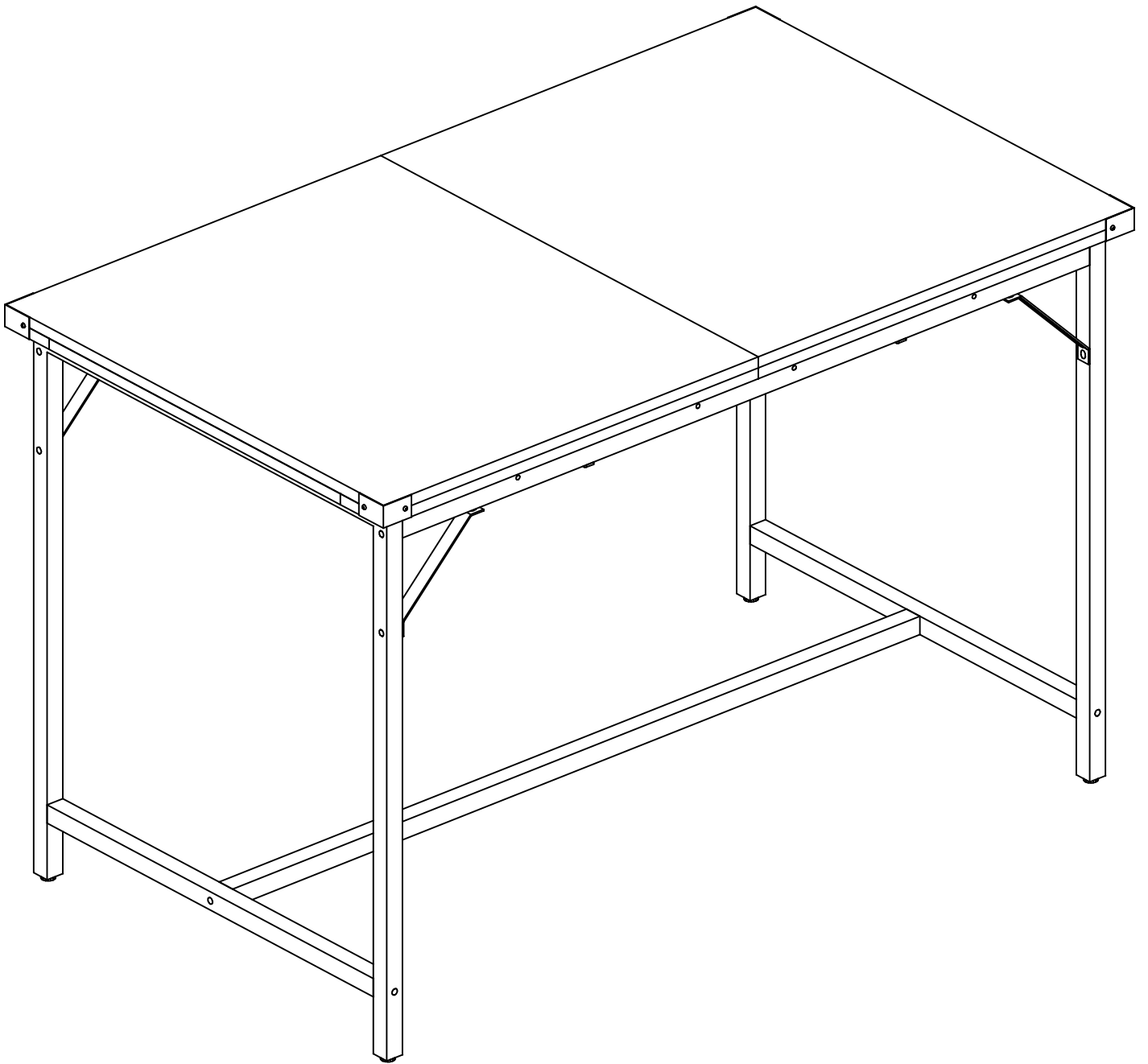


D3X12MM

6 PCS

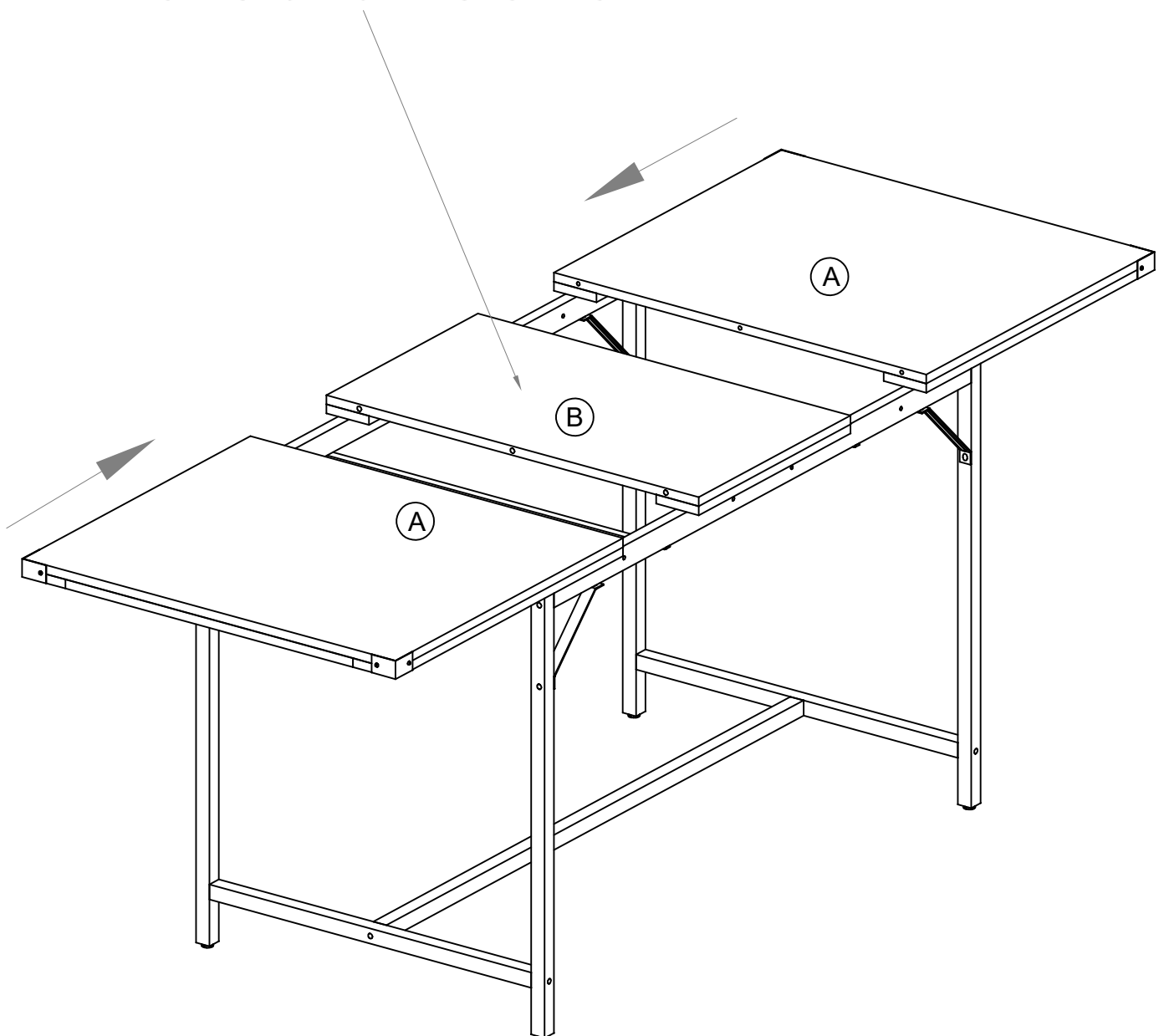


Step 11:



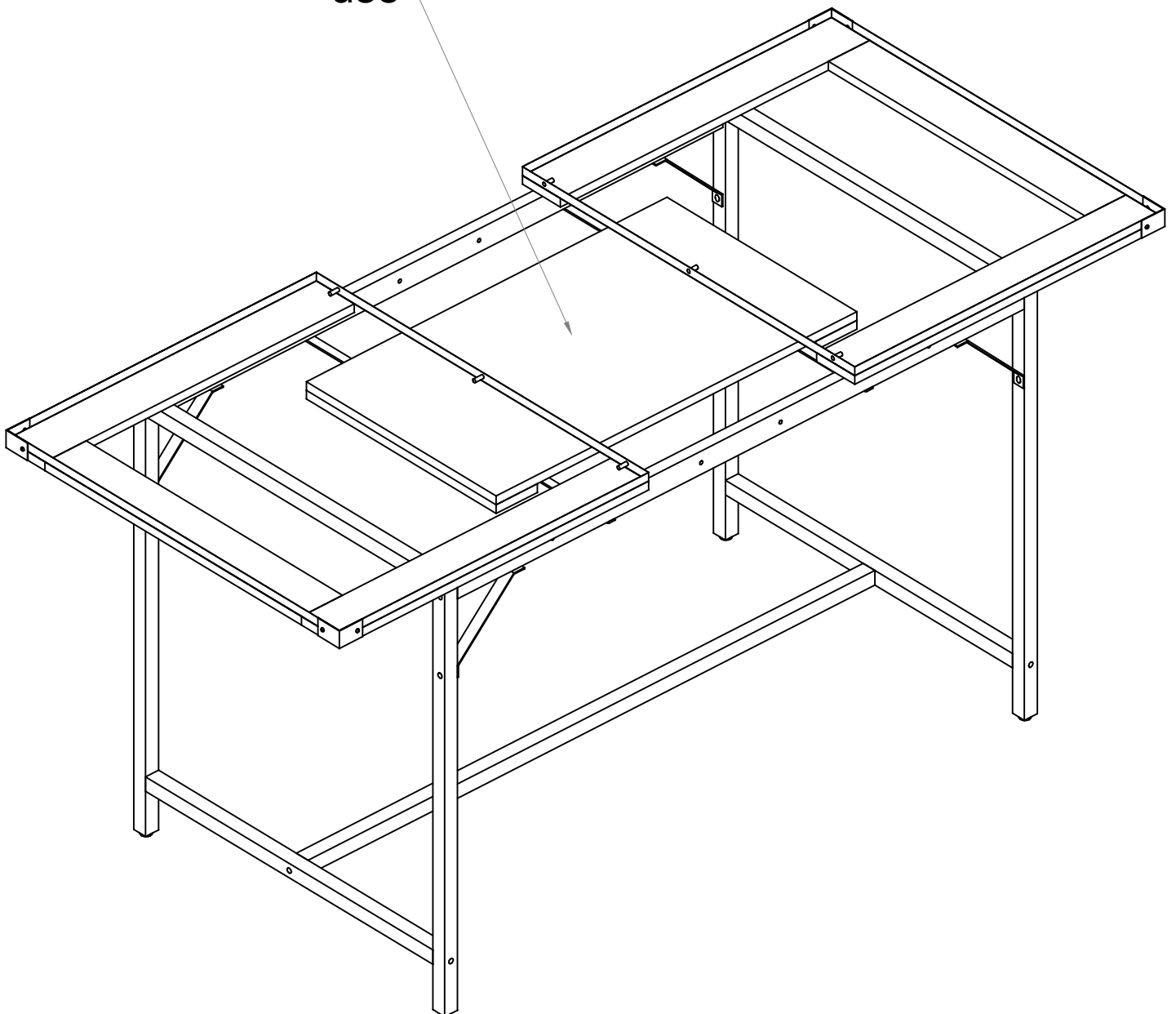
Step 12:

Noted direction

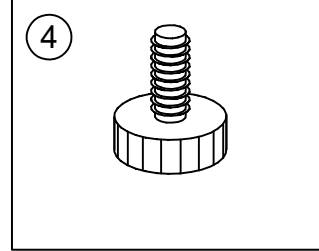
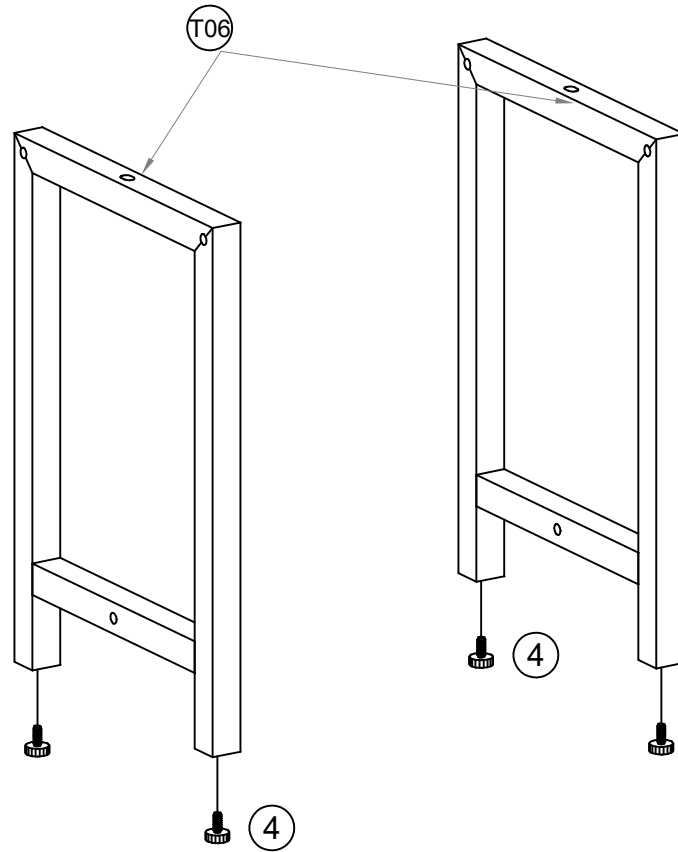


Step 13:

Put it away under
the table when not in
use



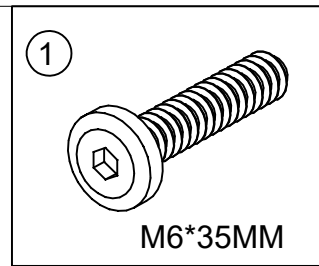
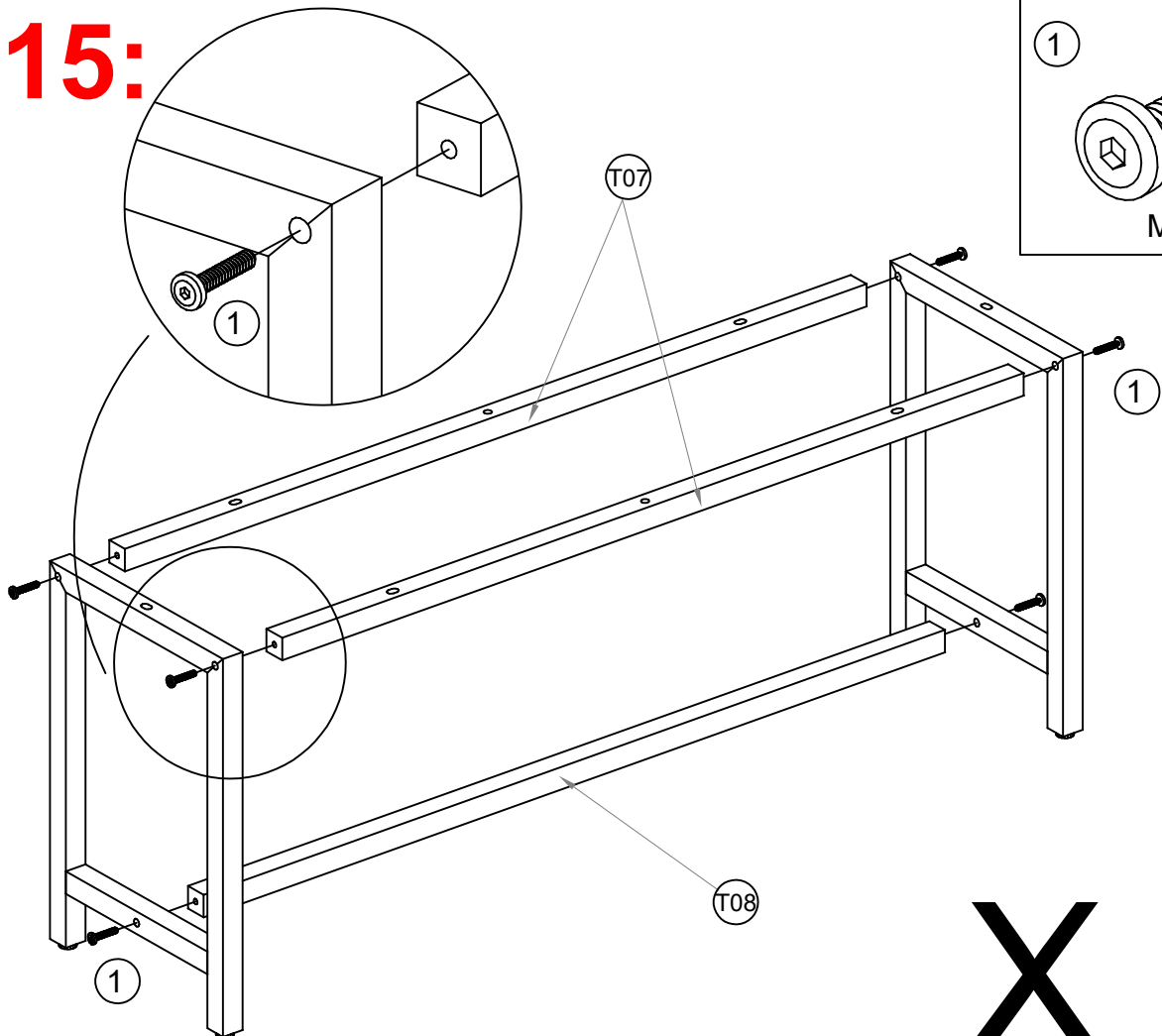
Step 14:



4 PCS

X 2

Step 15:



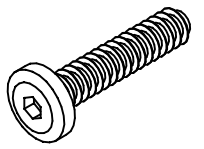
M6*35MM

4 PCS

X 2

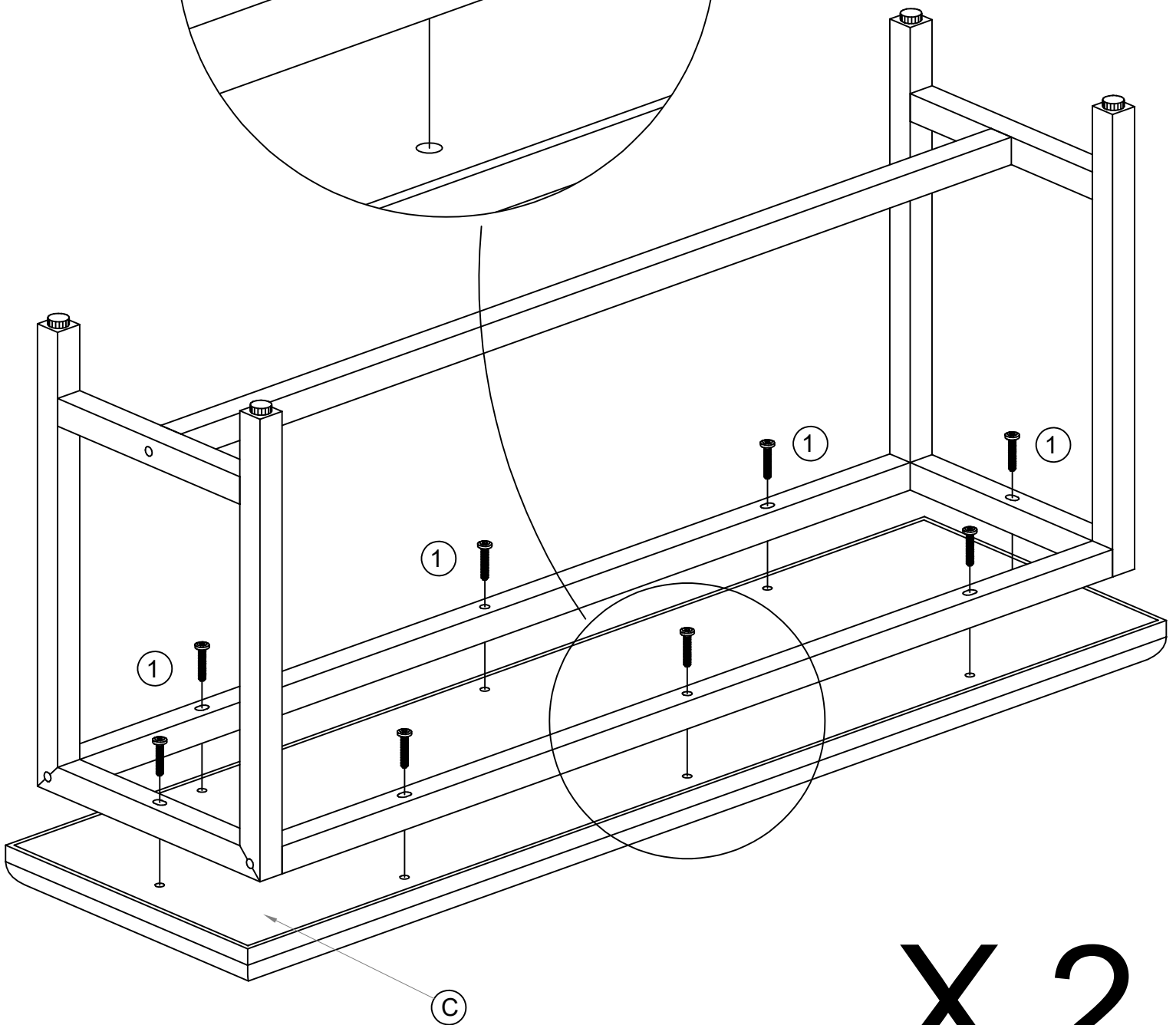
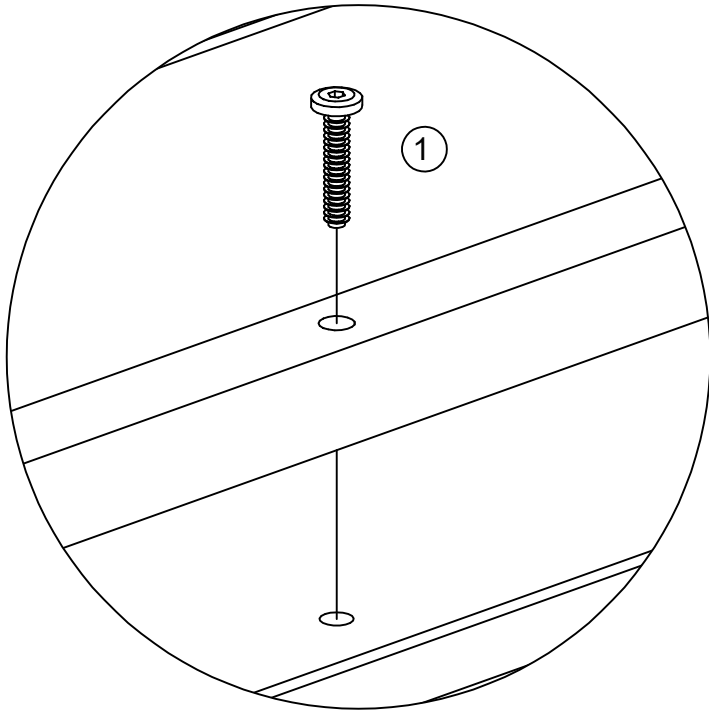
Step 16:

1



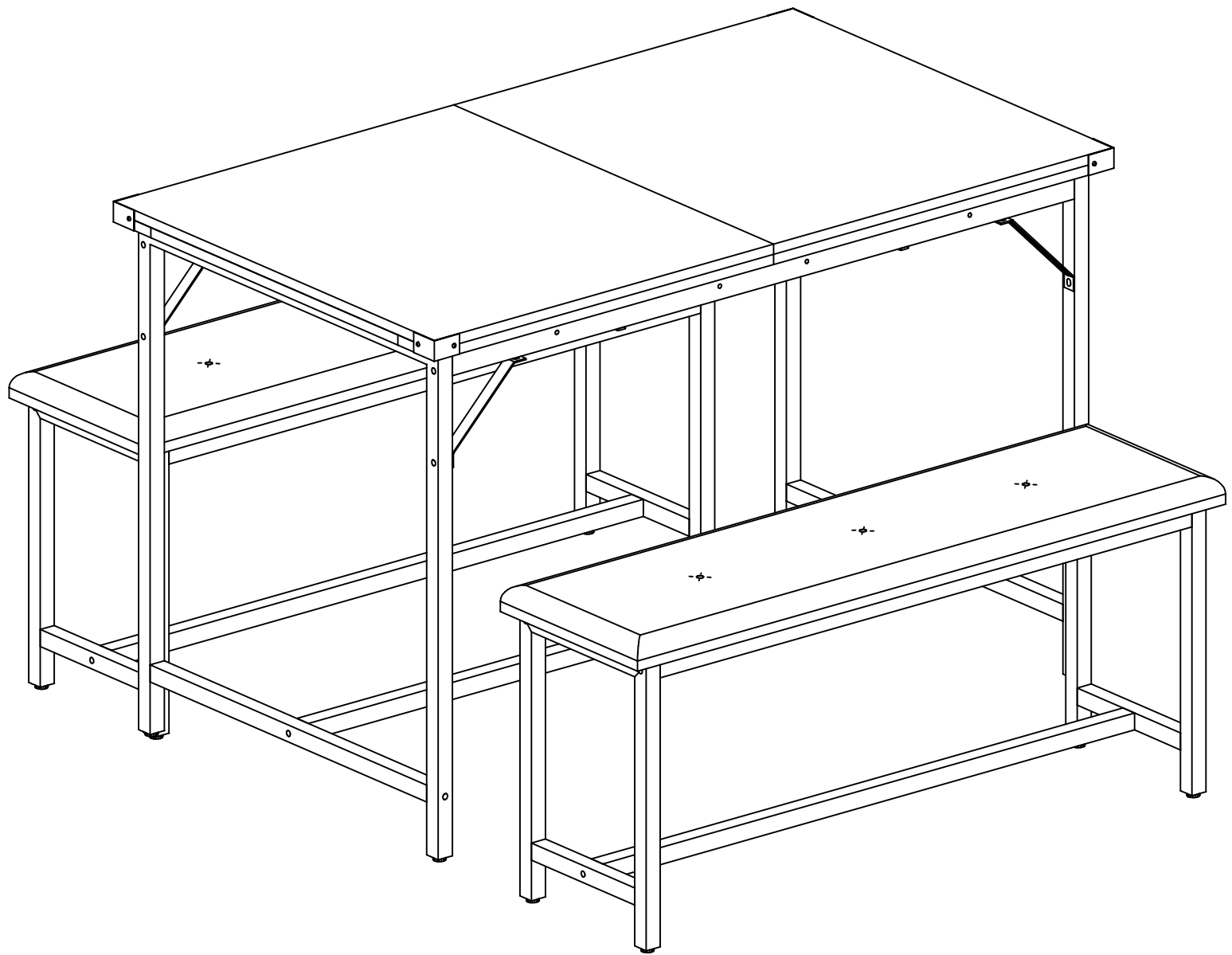
M6*35MM

16 PCS



X 2

Step 17:



Note: Pls check and tighten all screws.

IMPORTANT SAFETY INFORMATION

Please carefully read the instructions and caution warnings below before assembling the product. Following this guide will ensure that you install, use and maintain the product properly.

Please keep this installation and user manual/instructions for future reference in case you need to assemble the product.

Do not assemble if you notice serious damage such as cracks or bends.

During installation, please use work gloves for hand safety.

Please assemble the unit on carpeted floor or the flat cardboard box to avoid scratching the surface or your floor while assembling on the floor.

To assemble, please use the complimentary installation tools (Allen Wrench). Pay more attention to the direction of components at each step.

It is recommended that two people work together to assemble the product.

Please do not tighten the screws up too much, just to 80 % before you finish to make the installation go on successfully.

RETURN POLICY

We believe you will absolutely love your new product. But for some reason you want to return your item, please contact us within 30 days after receiving and ensure that the product which you want to return is in a good condition in the original box with all original certificates of purchase, manuals and accessories attached.

HOW TO MAINTAIN YOUR PRODUCT:

Check the screws of the product are not loose from regular use.

Do not use sharp instruments, rubbing alcohol, corrosive chemicals, or abrasive cleaners to clean the product.

Do not keep the product in a damp environment for a long period of time. The damp environment may cause the iron components to rust and the plates to bulge and crack.