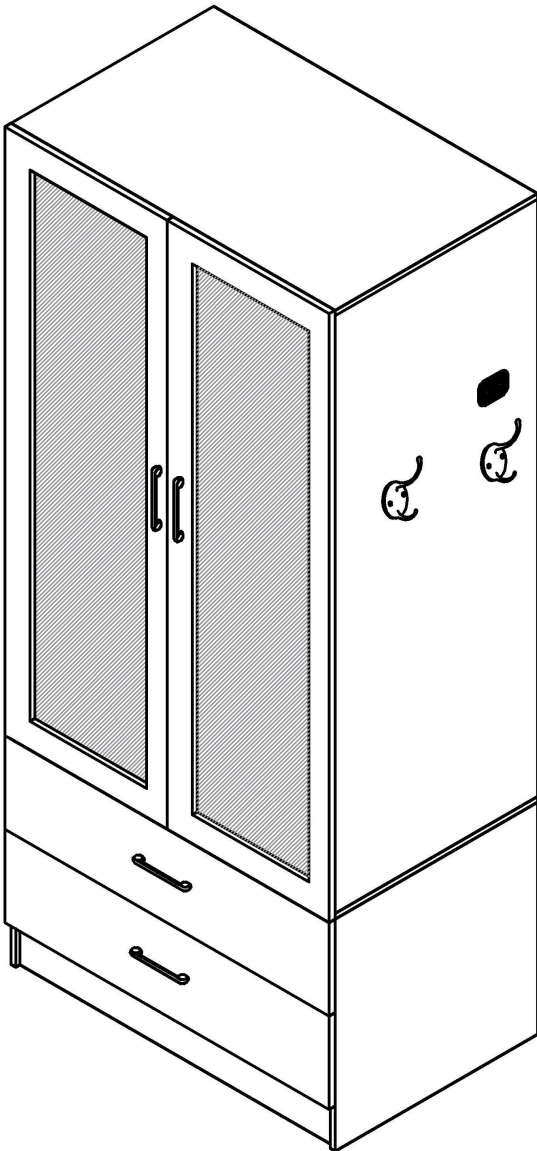
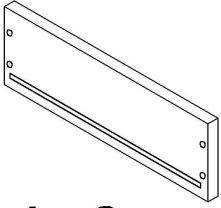
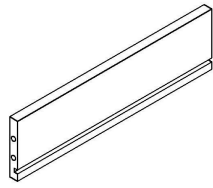


Product Installation Instructions

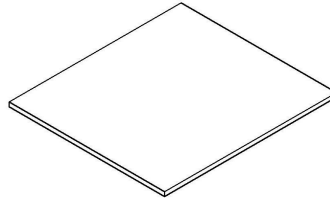




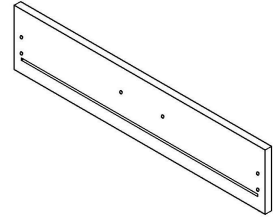
Ax2



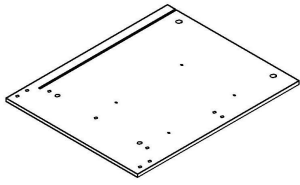
Bx4



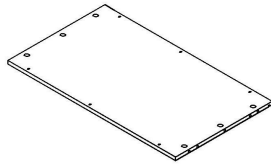
Cx2



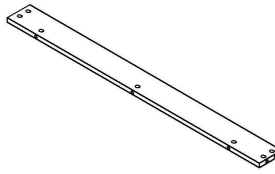
Dx2



Ex1



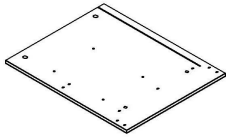
Fx1



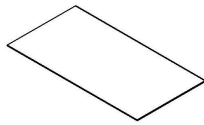
Gx2



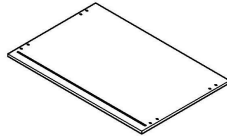
Hx1



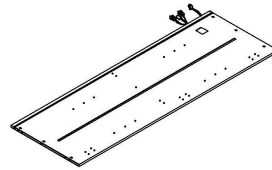
Ix1



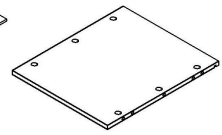
Jx1



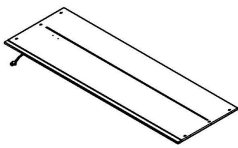
Kx1



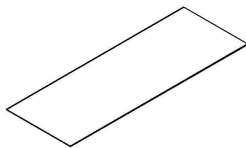
Lx1



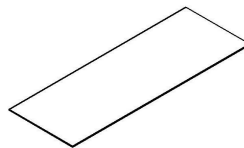
Mx1



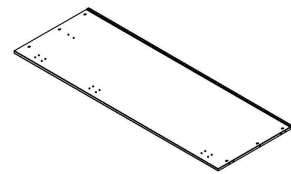
Nx1



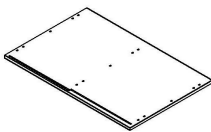
Ox1



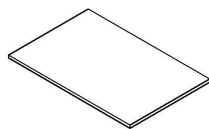
Px1



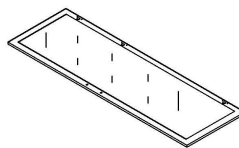
Qx1



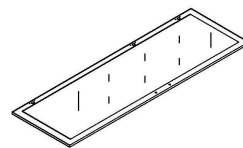
Rx1



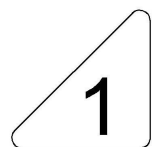
Sx2



Tx1

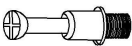

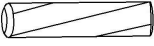
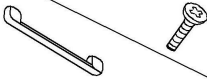
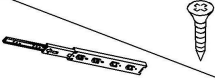


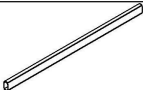
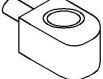

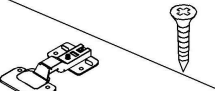

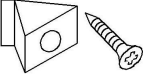
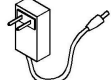
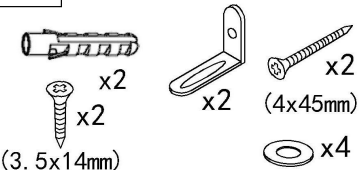


Ux1



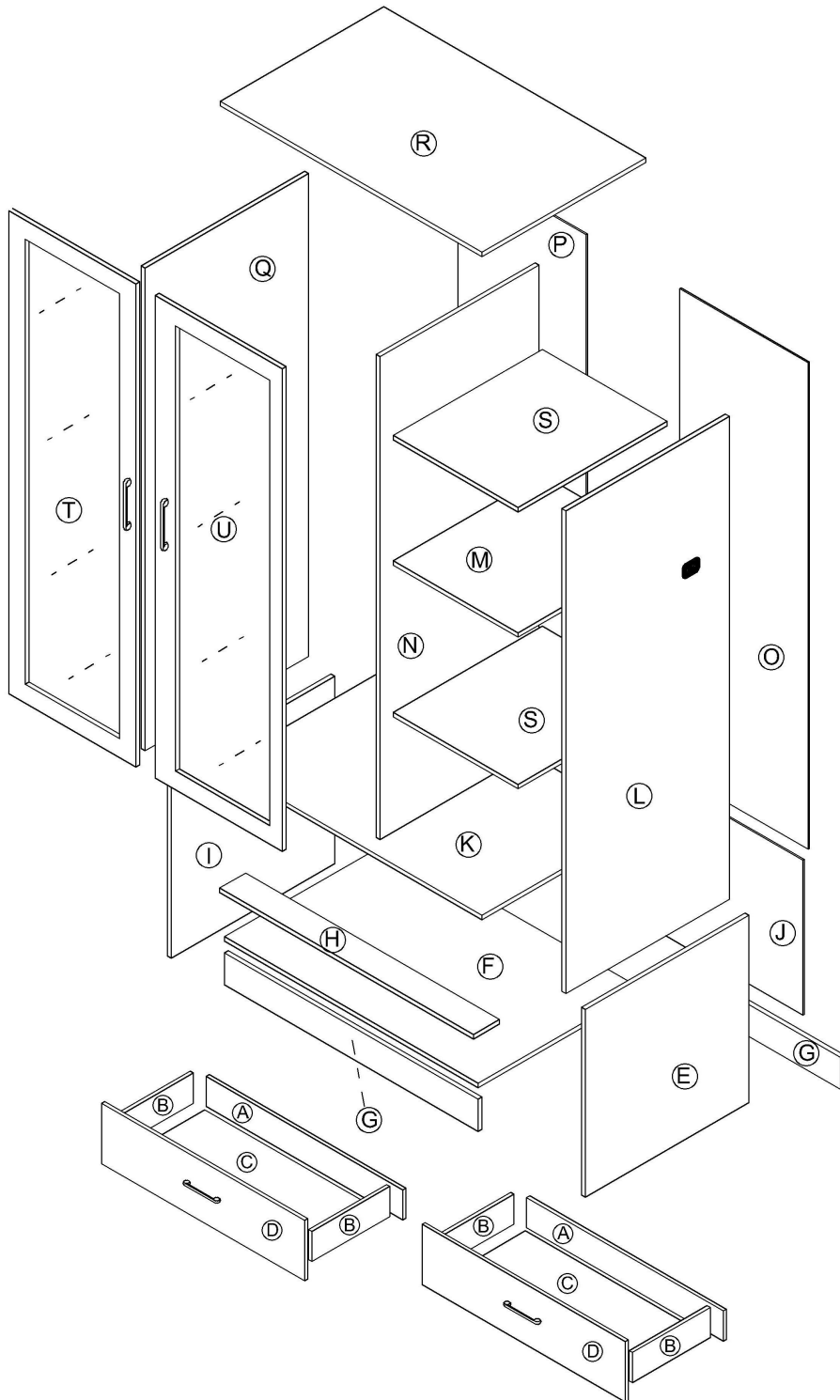
1

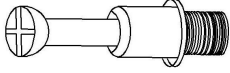
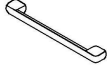



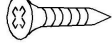
Accessories list

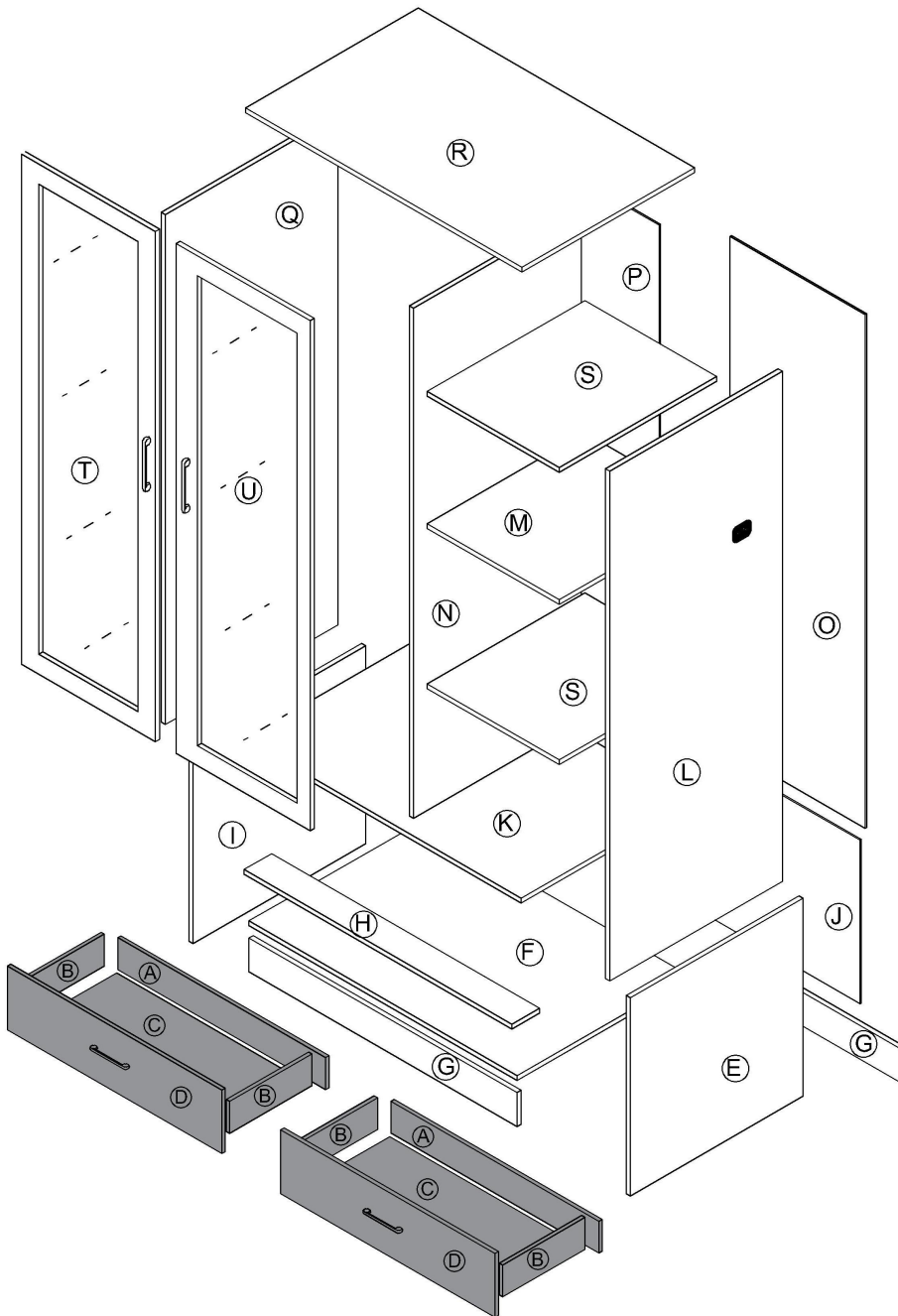
①		Two In One Screw (6x28mm)	68pcs +4pcs
②		Two In One Nut (10x12mm)	68pcs +4pcs
③		Wood Chipping (6x30mm)	24pcs +4pcs
④		Handle & screw (4x18mm)	4pcs / 8pcs +2pcs
⑤		Guide & Screw (3x12mm)	4pcs / 20pcs +4pcs
⑥		Clothing Rod Hooks & Screw (3.5x12mm)	2pcs / 4pcs +1pcs
⑦		Non-slip pads	6pcs +2pcs
⑧		Clothing Rod	1pcs
⑨		Laminate support nail	8pcs +2pcs
⑩		Hook & Screw (3x12mm)	2pcs / 4pcs +1pcs
⑪		Hinge & Screw (3.5x12mm)	6pcs / 36pcs +4pcs
⑫		Clamp	2pcs
⑬		Fixing clip & screw (3x16mm)	16pcs
		AC/DC Adapter (12V=3.0A)	1pcs
⑭	<p>Anti Fall Hardware</p>  <p>1pcs Double-head screwdriver, use as required</p>		

2

Product structure decomposition



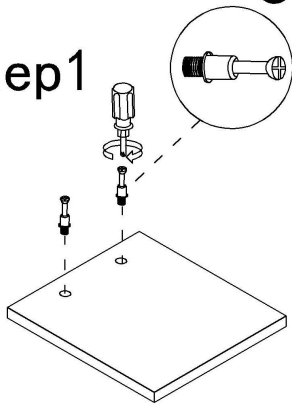
<p>1</p>		<p>16pcs</p>	<p>4</p>	 <p>2pcs</p>	 <p>4pcs</p>
<p>2</p>		<p>16pcs</p>	<p>5</p>	 <p>4pcs</p>	 <p>8pcs</p>



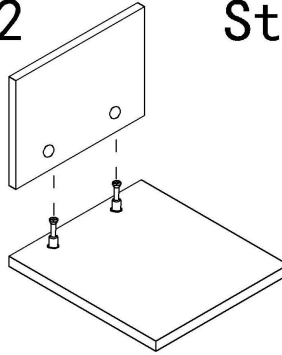
4

Use parts ① and ②

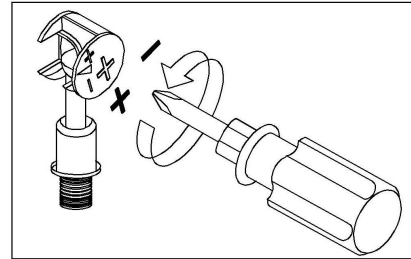
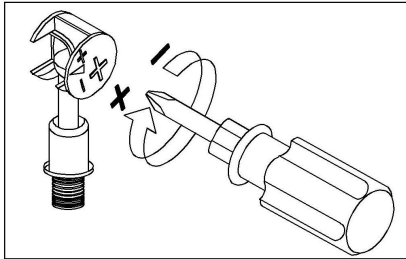
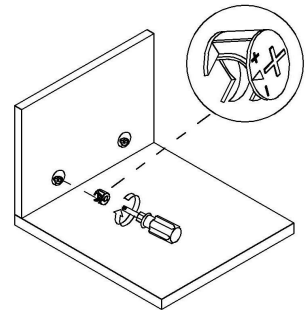
Step1



Step2



Step3



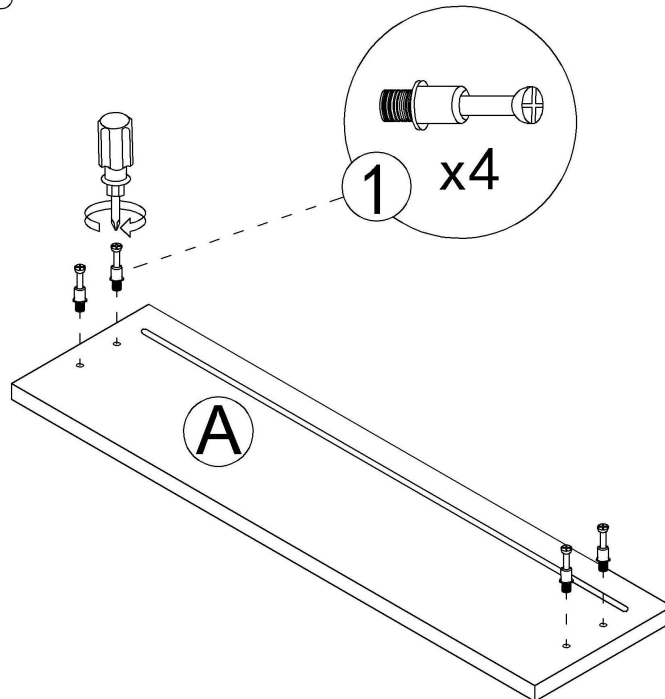
Use a screwdriver to lock in the direction of the "+" sign

Disassemble along the direction of "-" sign

Step 1

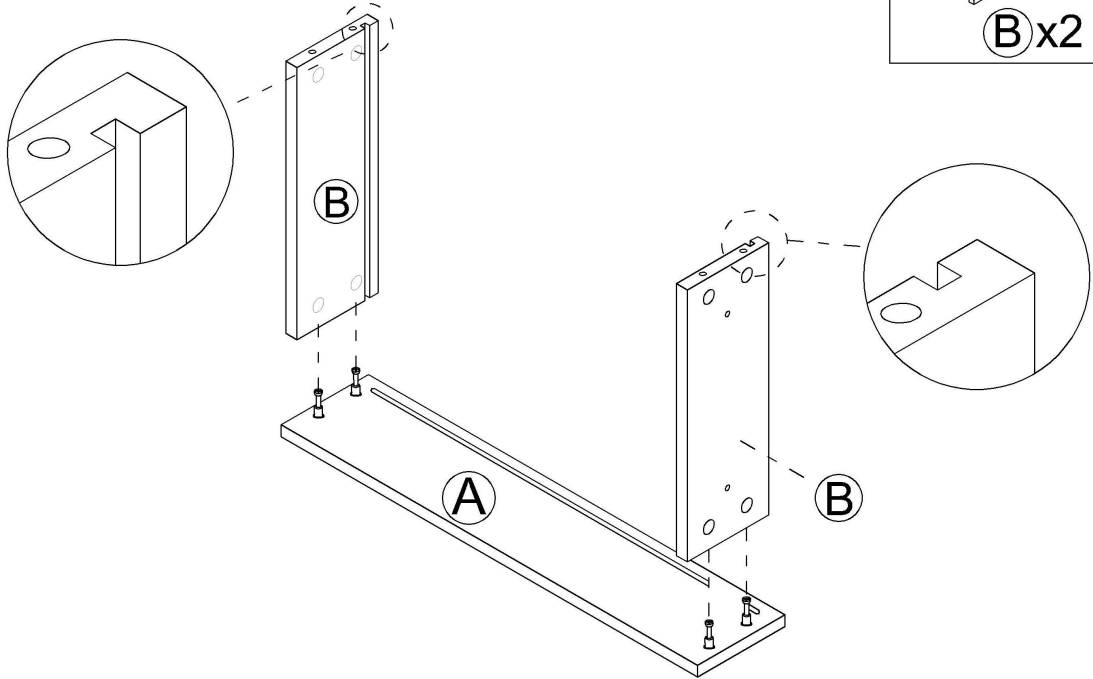
①

x4



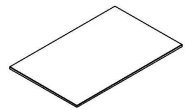
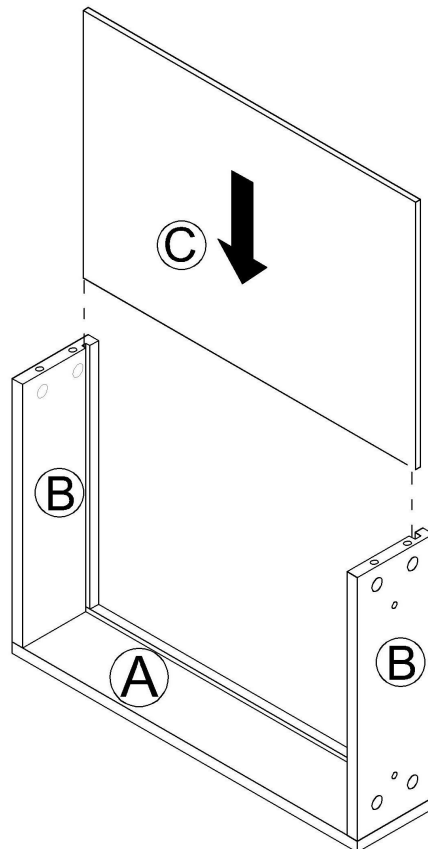
5

Step 2



B x2

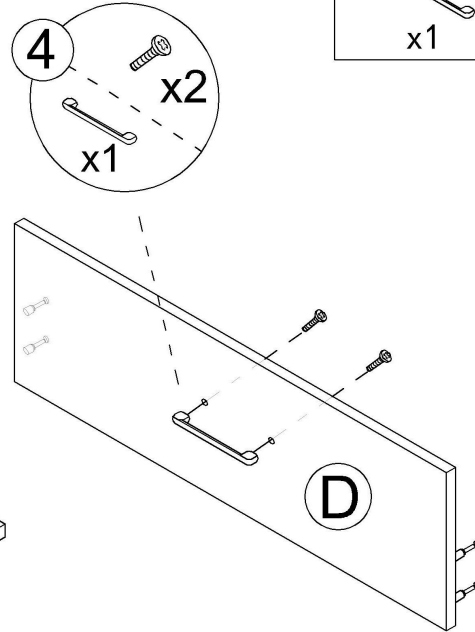
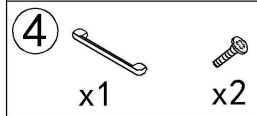
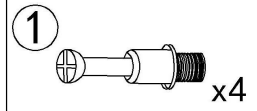
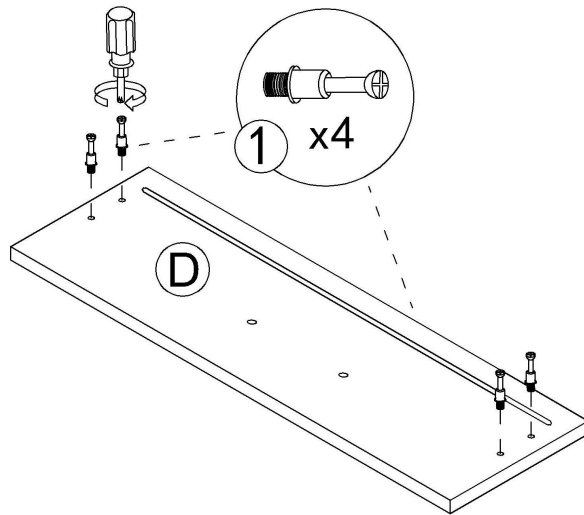
Step 3



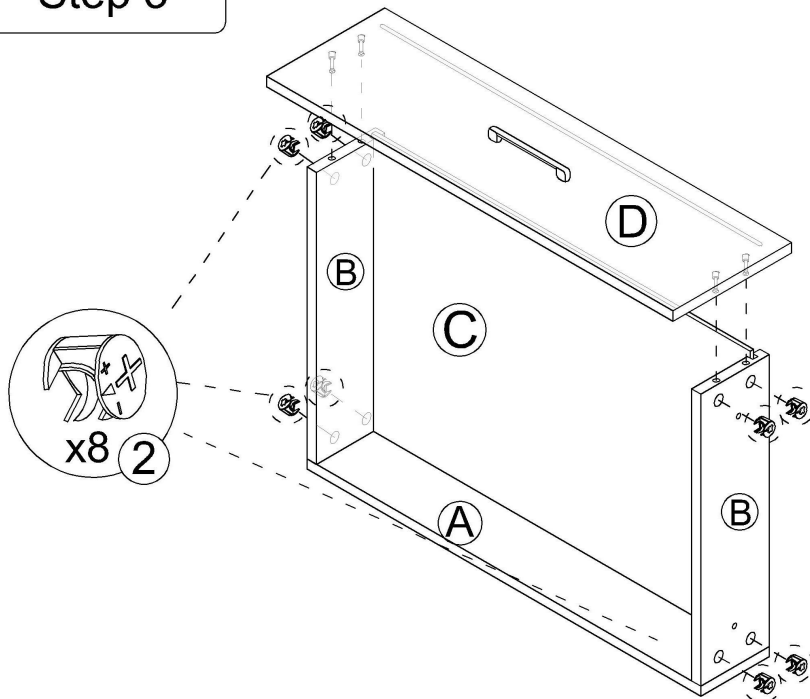
C x1

6

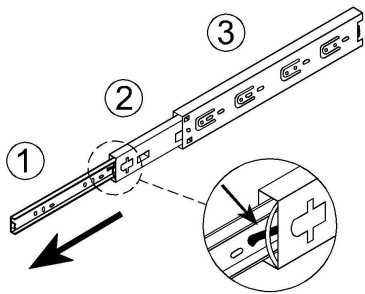
Step 4



Step 5

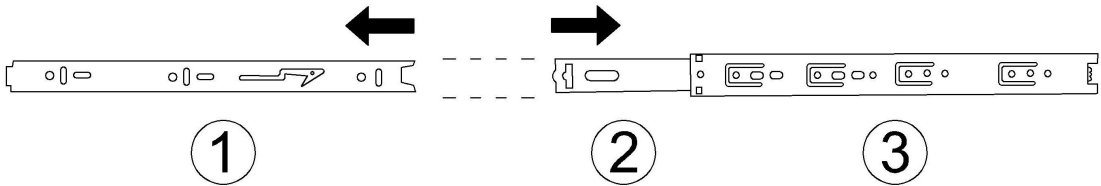
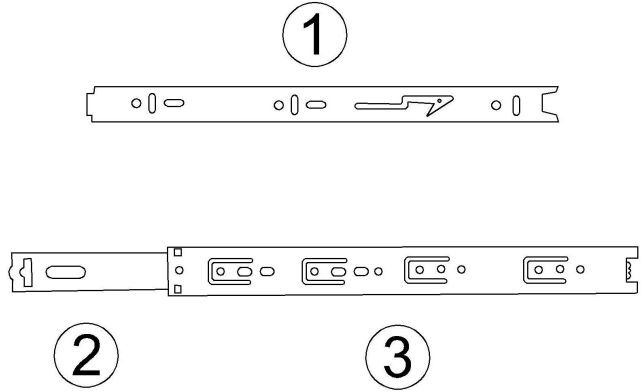


Exploded view of drawer guide rail

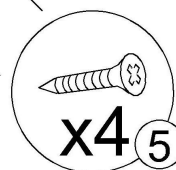
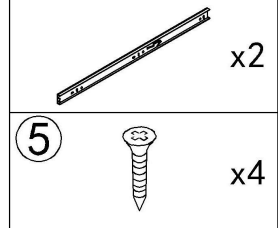
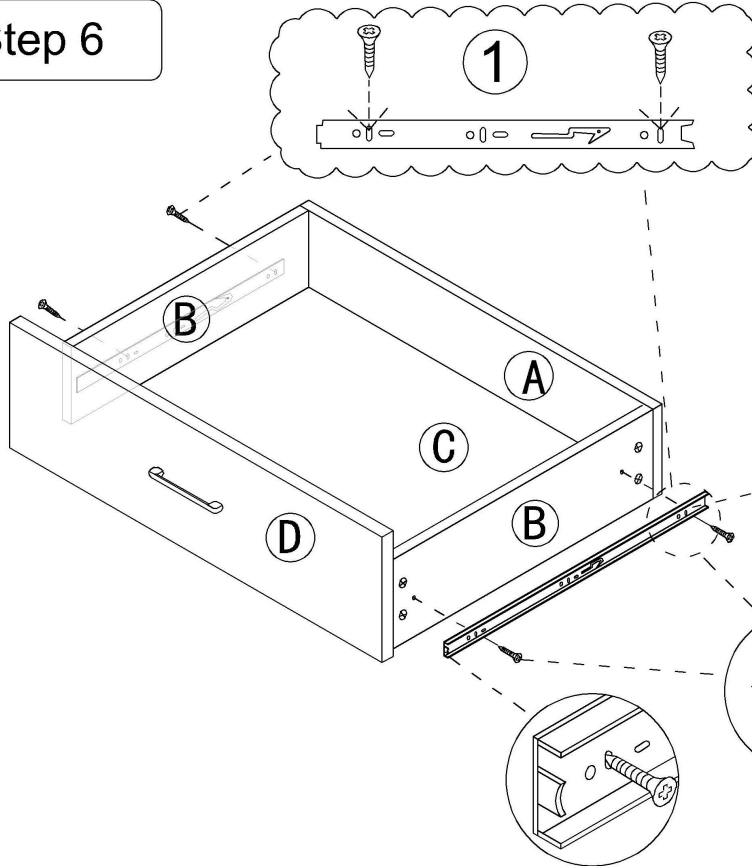


Step 1 : Pull the guide rail apart

Step 2 : Push the nylon buckle and pull outward ①

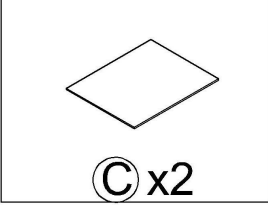
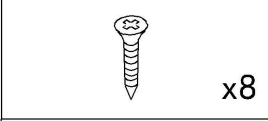
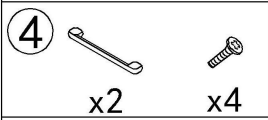
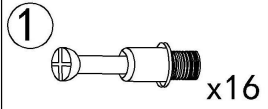
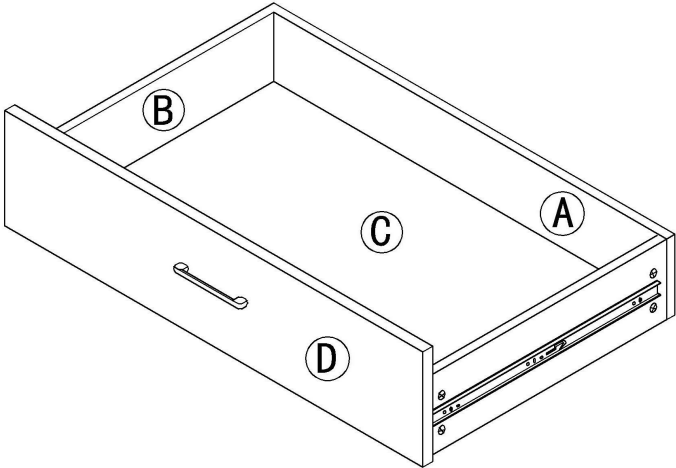


Step 6

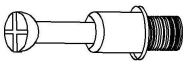
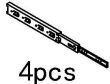










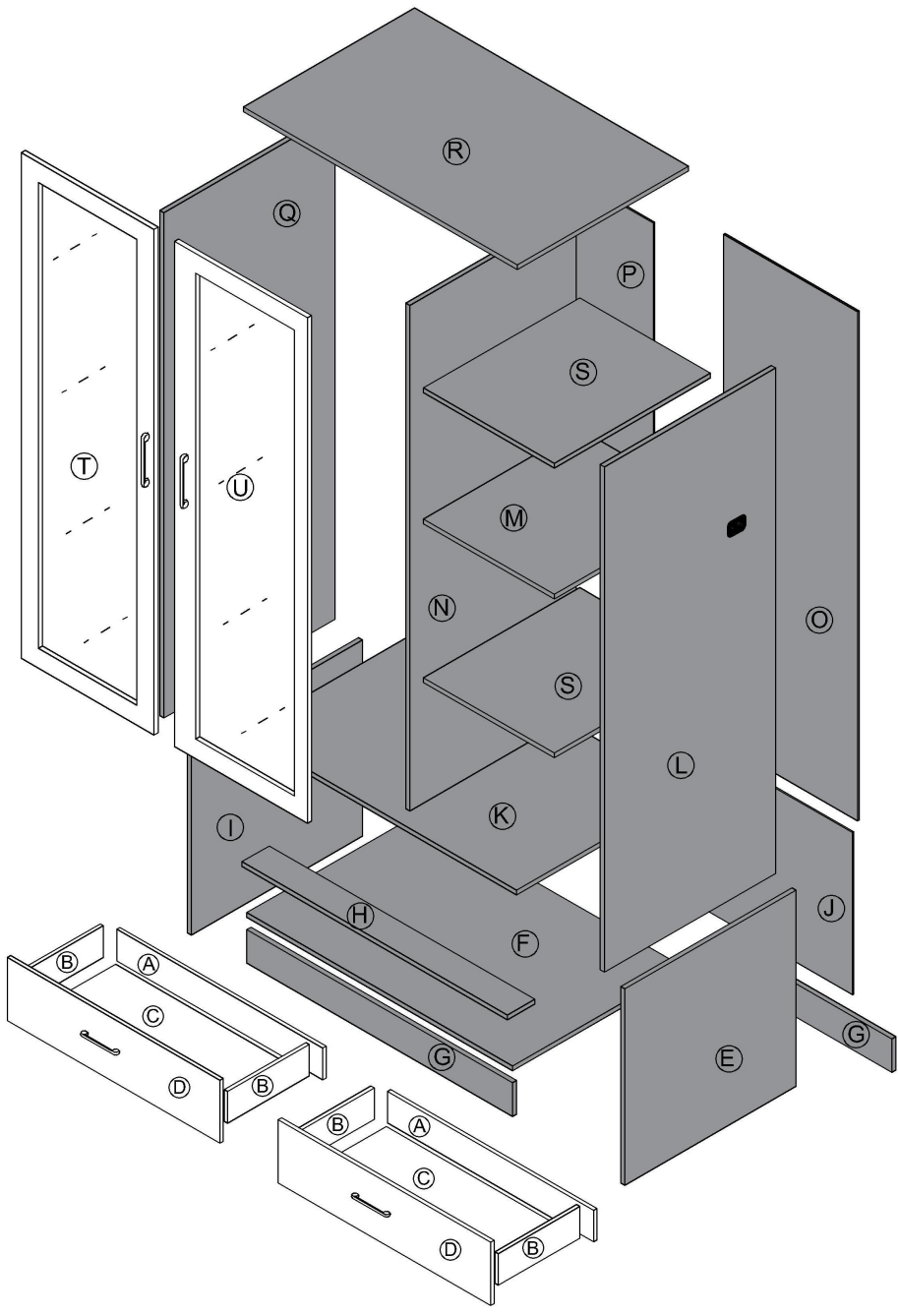
Step 7

x2

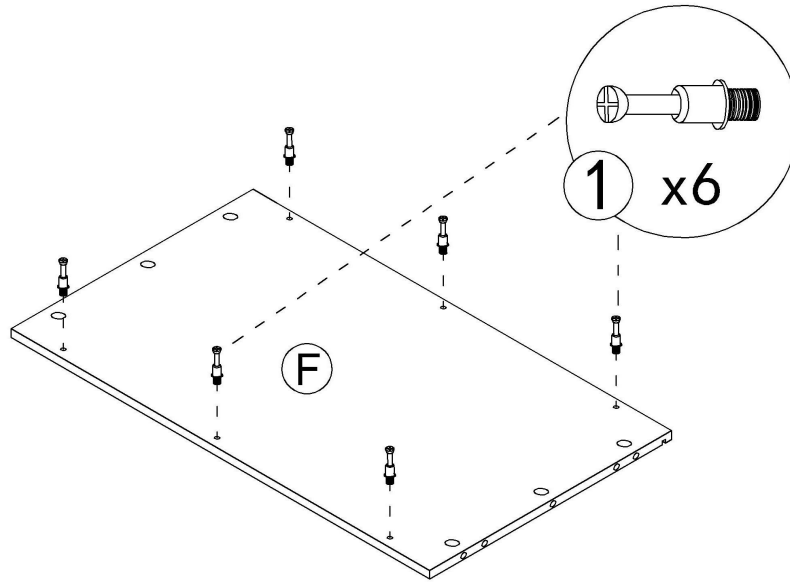
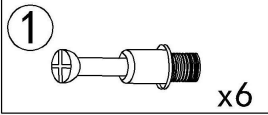


Repeat the drawer installation steps

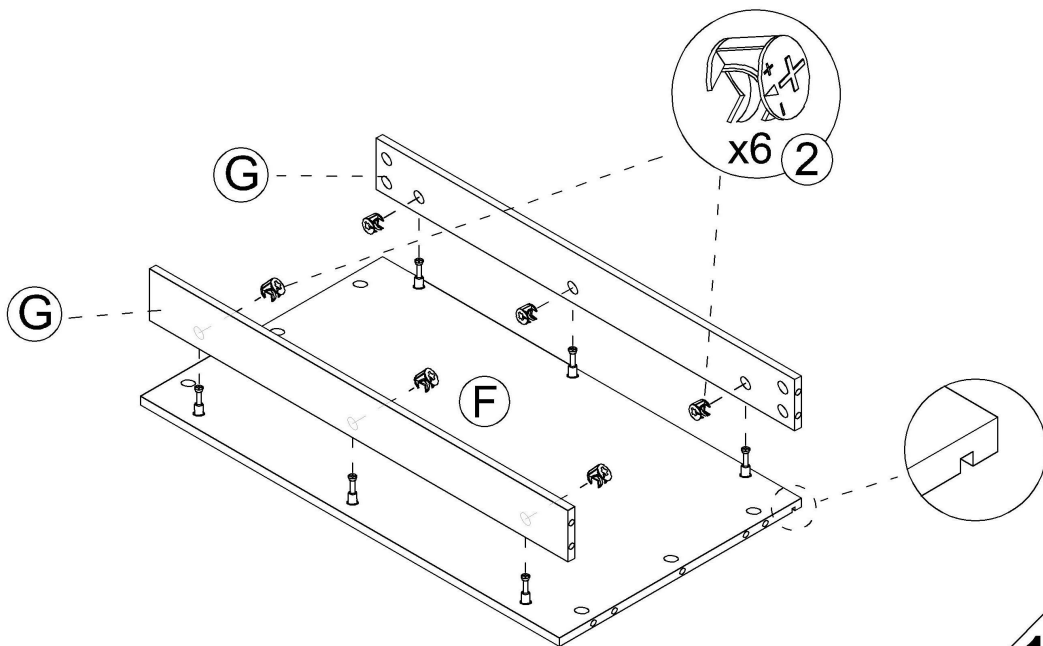
①		52pcs	⑤	 4pcs  12pcs	⑧		1pcs
②		52pcs	⑥	 2pcs  4pcs	⑨		8pcs
③		24pcs	⑦	 6pcs			



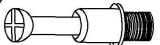

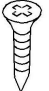
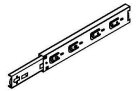
Step 8

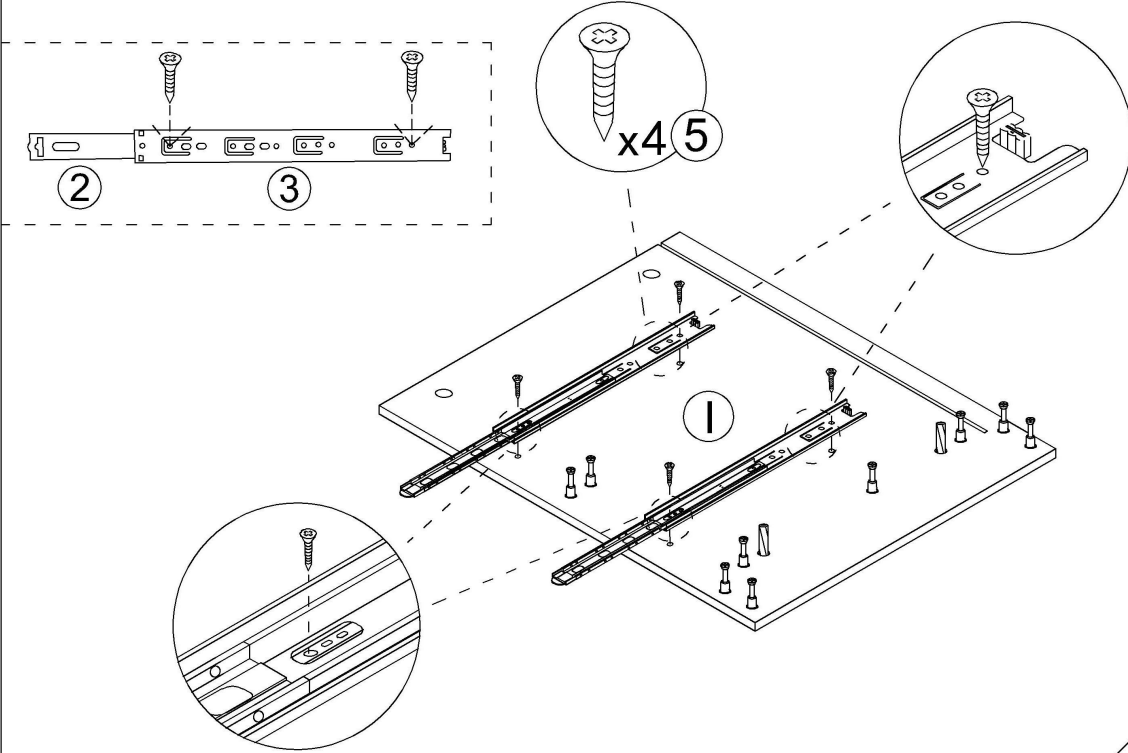
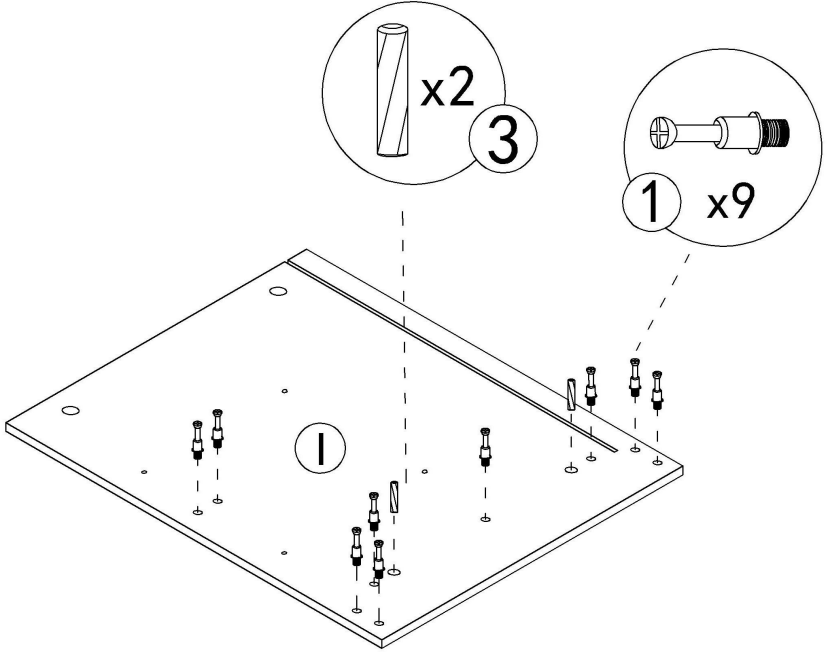


Step 9



Step 10

- ①  x9
- ③  x2
- ⑤  x4
 x2

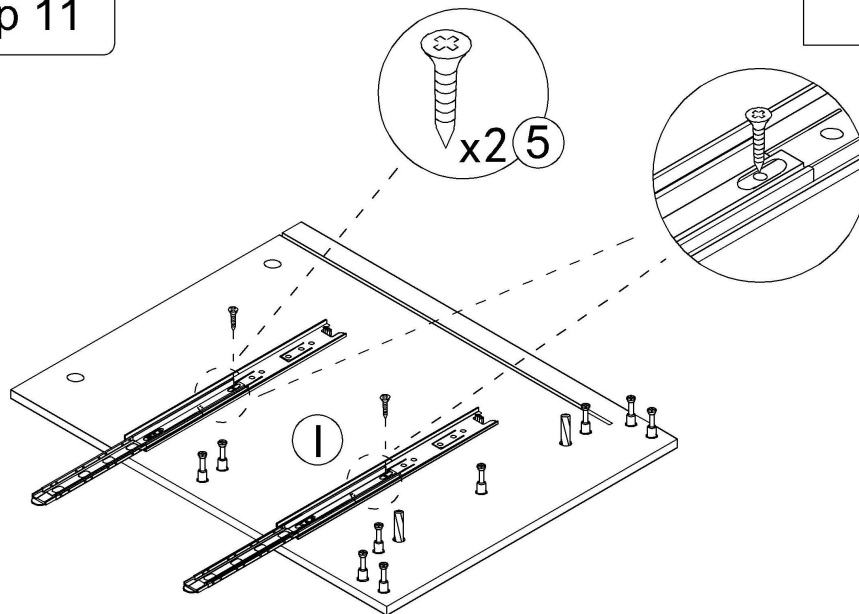


Step 11

5



x2



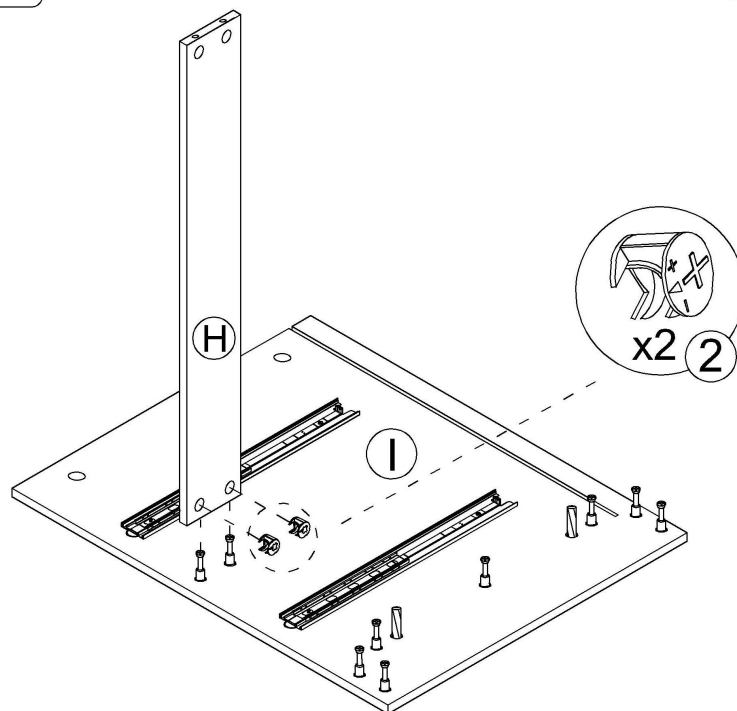
This hole is for strengthening fixed hole customers can choose to install according to their needs.

Step 12

2

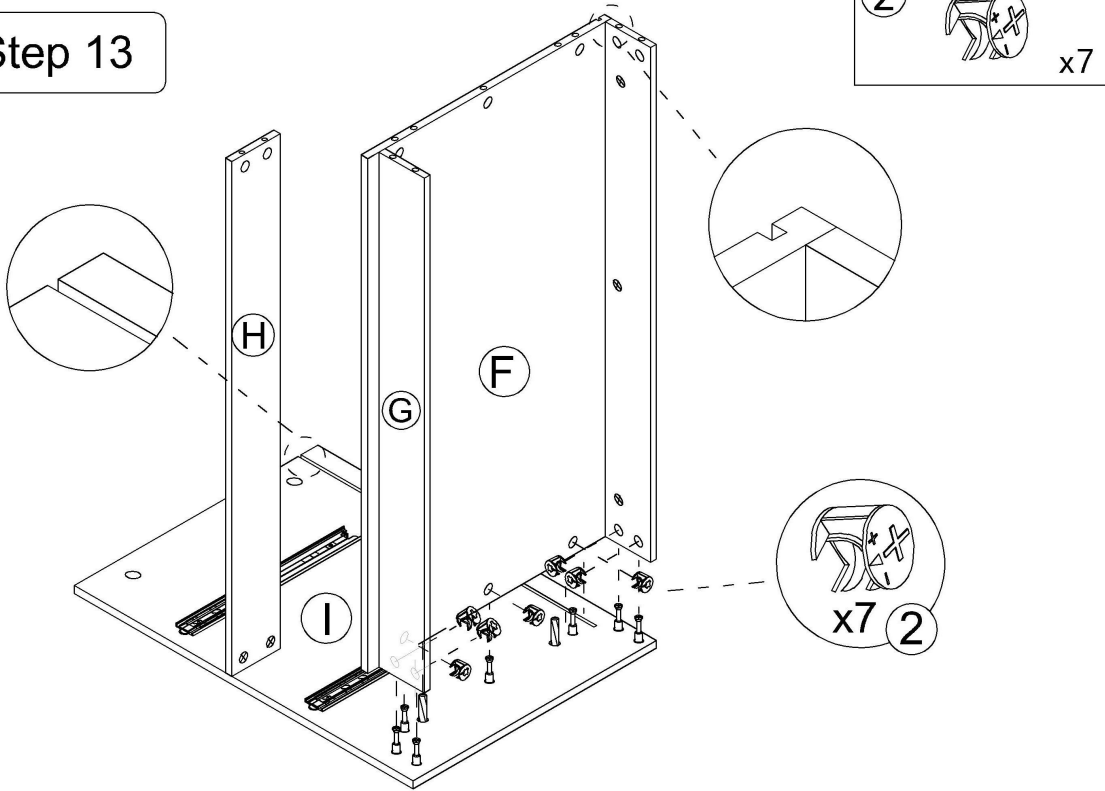


x2

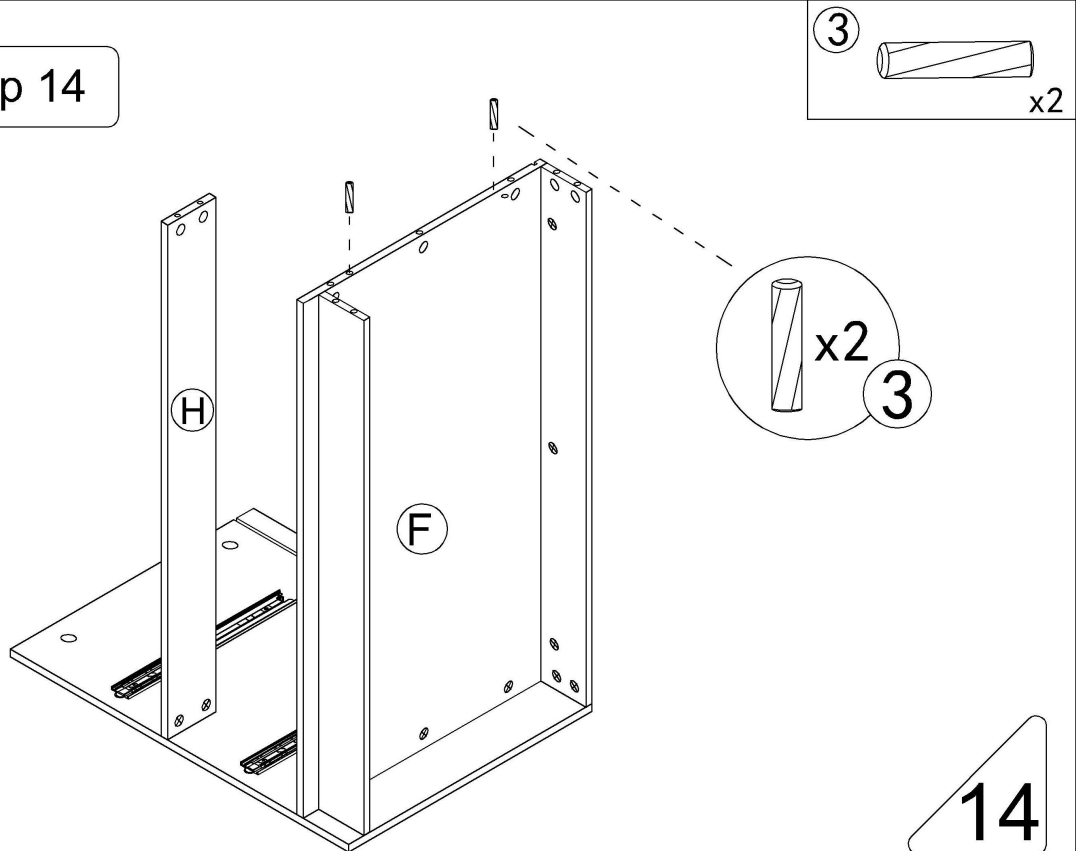


13

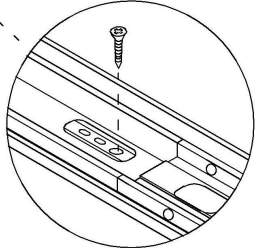
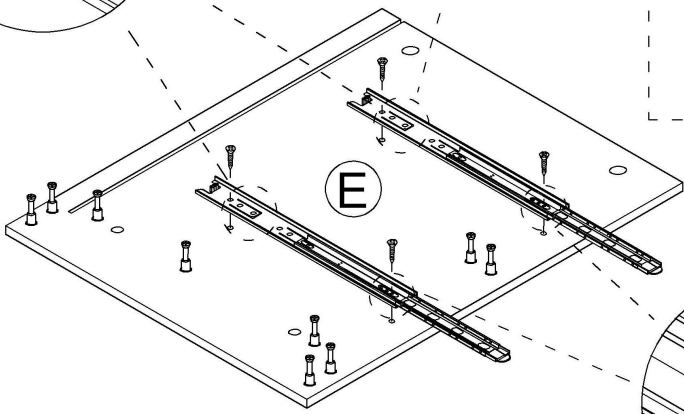
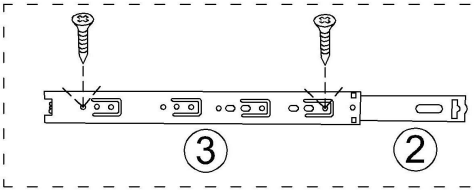
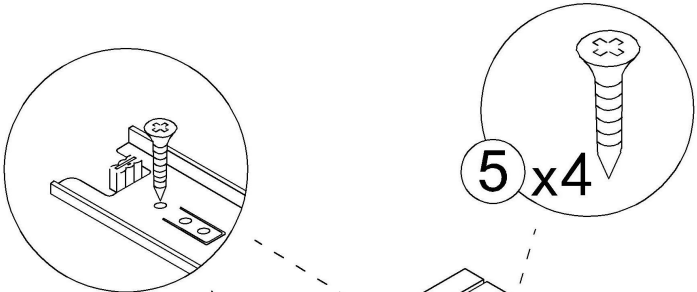
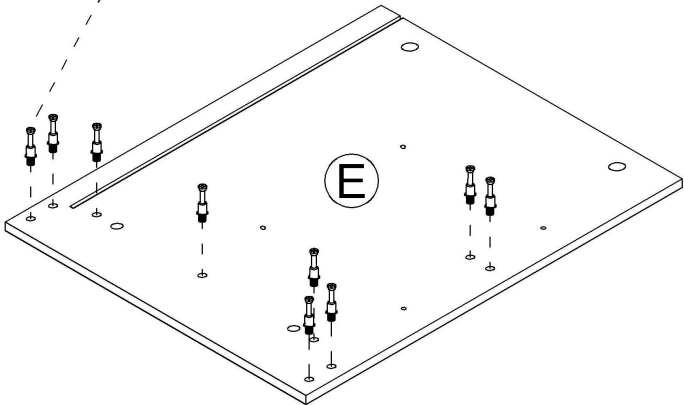
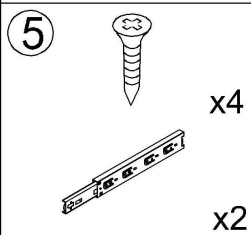
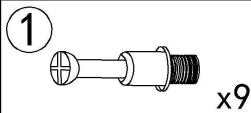
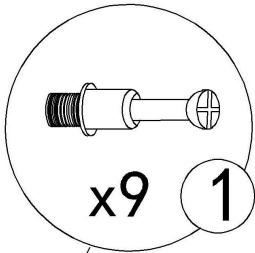
Step 13



Step 14



Step 15

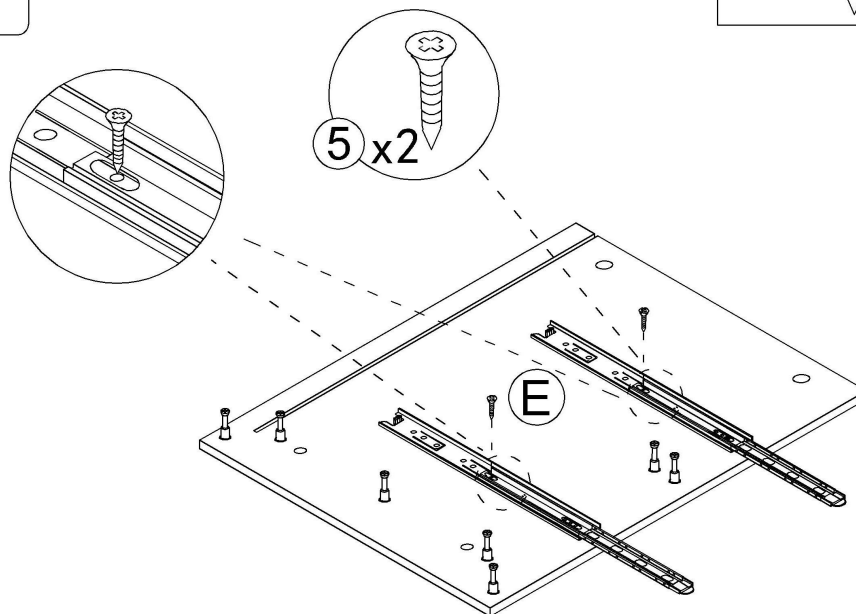


Step 16

5



x2



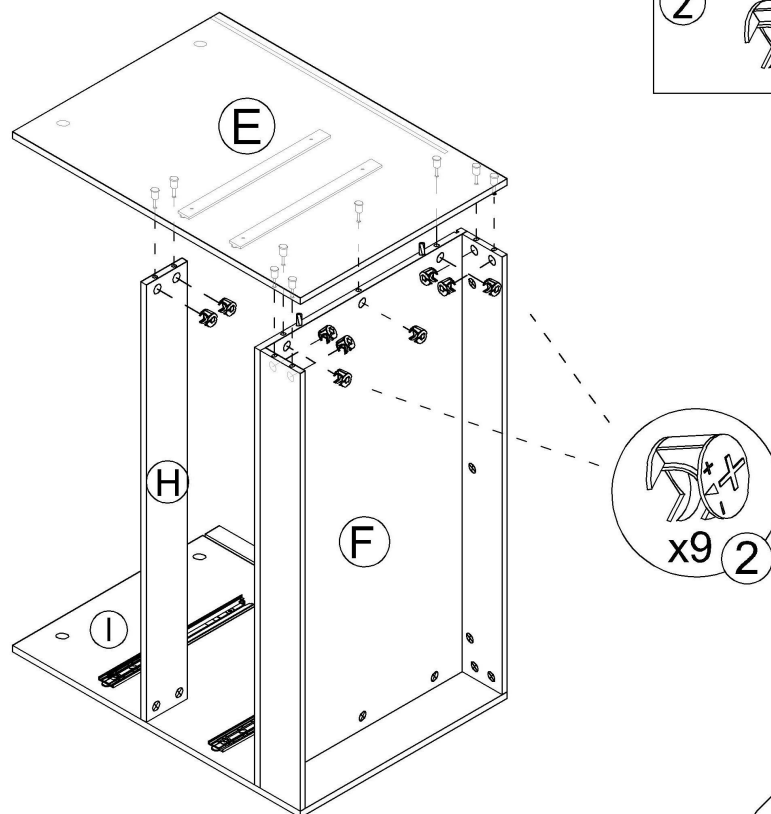
This hole is for strengthening fixed hole customers can choose to install according to their needs.

Step 17

2

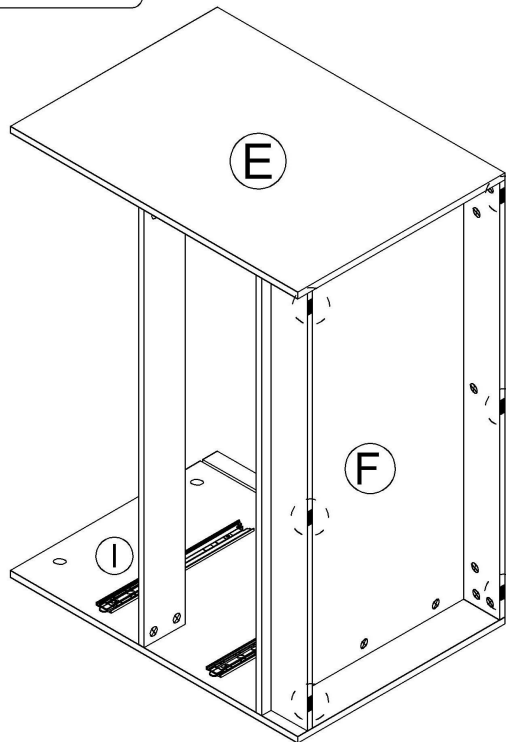


x9

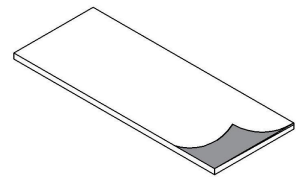


16

Step 18



7



x6

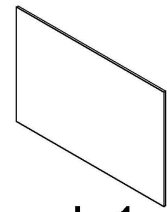
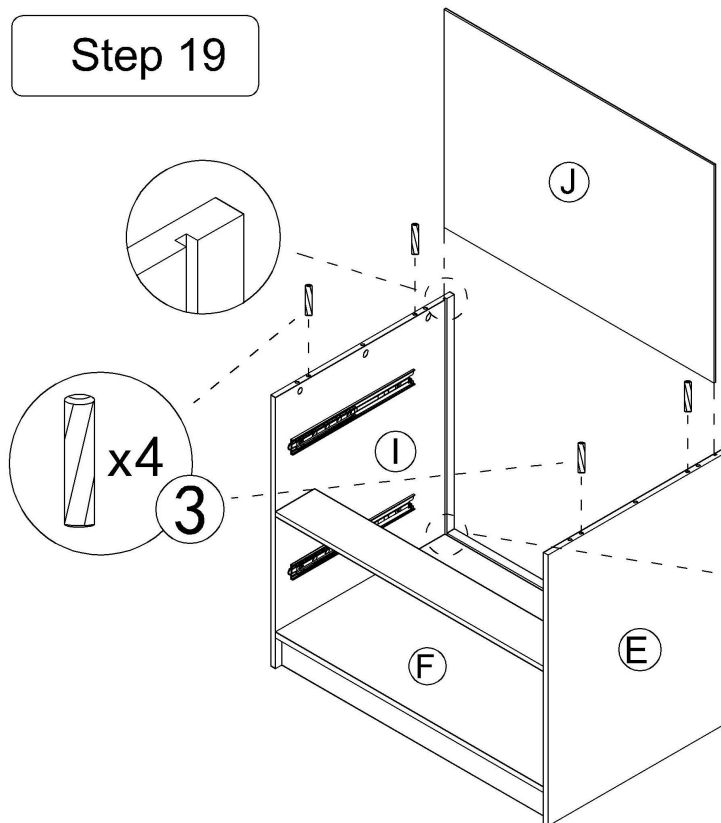
Tear off release paper and stick the black foot pad on the board



x6

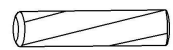
7

Step 19



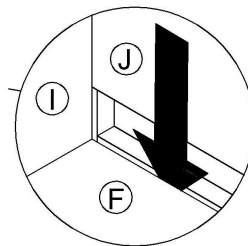
Jx1

3



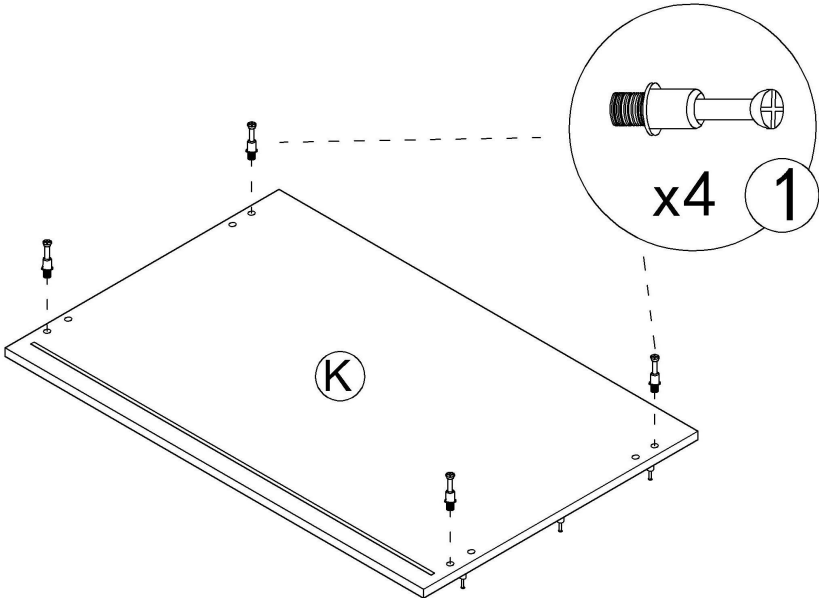
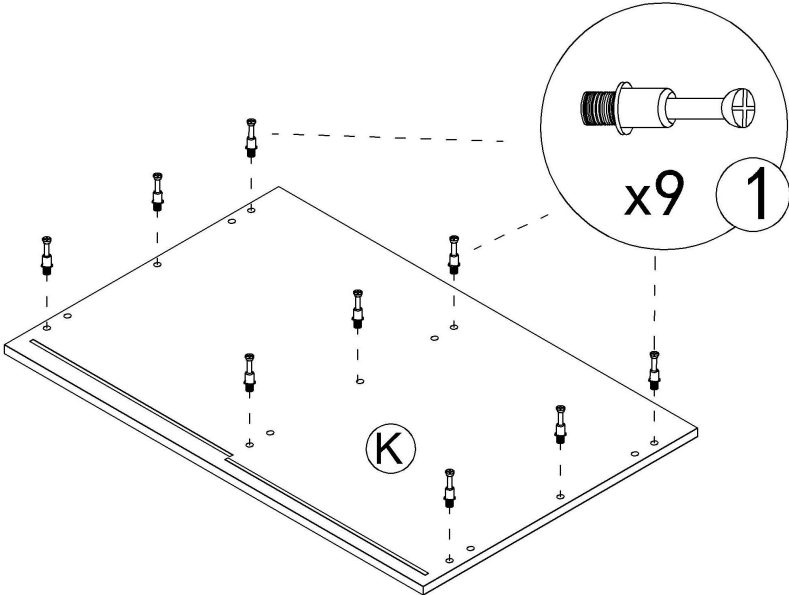
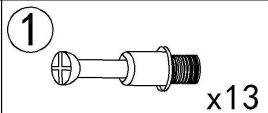
x4

Insert the board into the slot

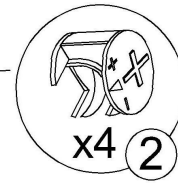
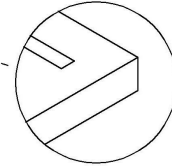
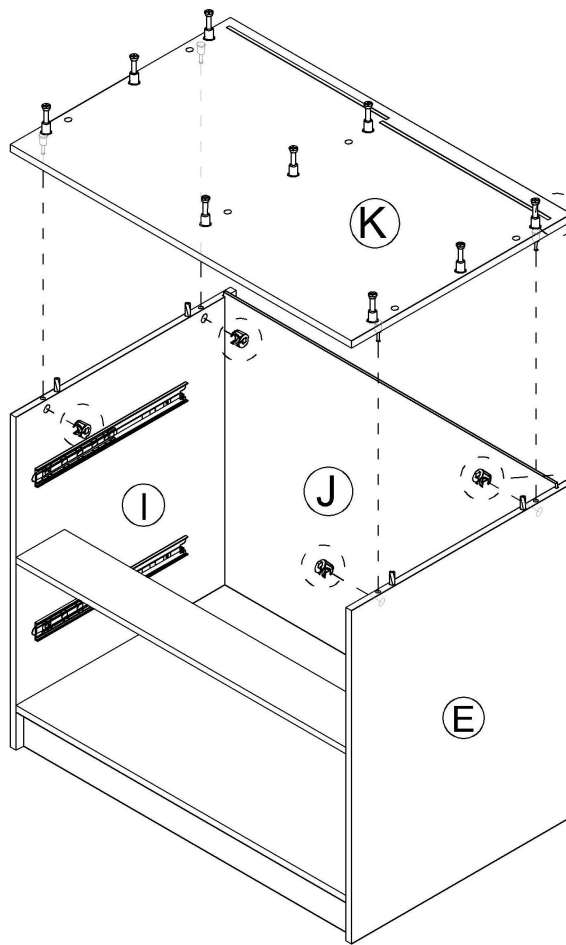


17

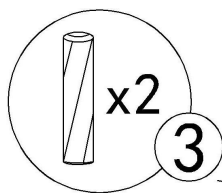
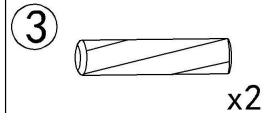
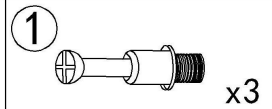
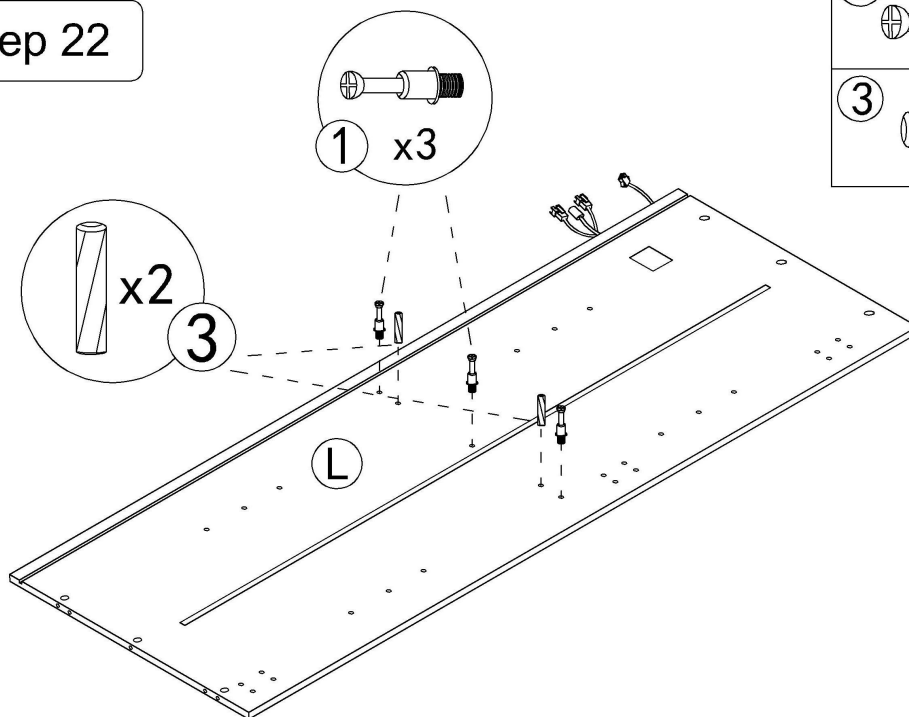
Step 20



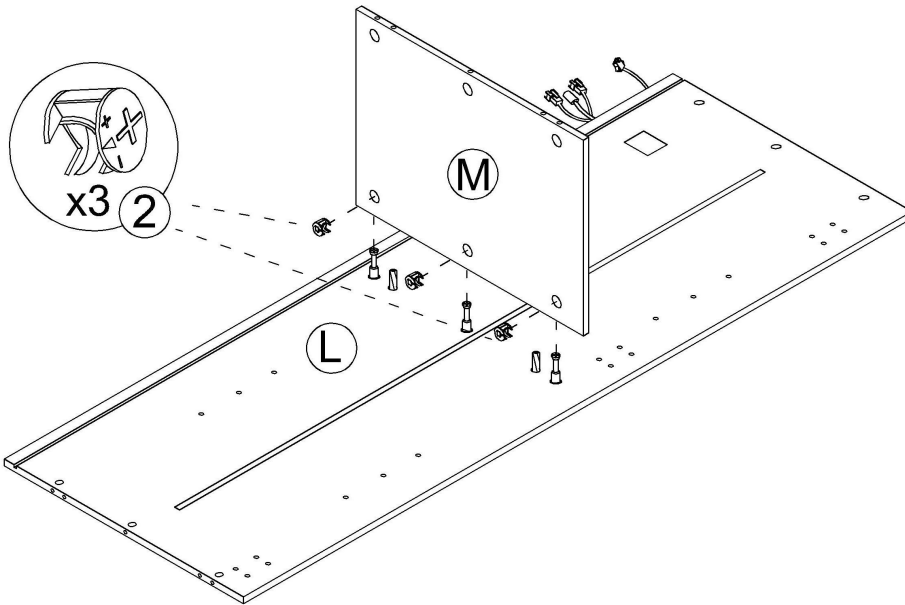
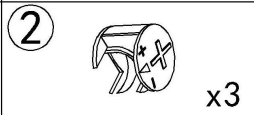
Step 21



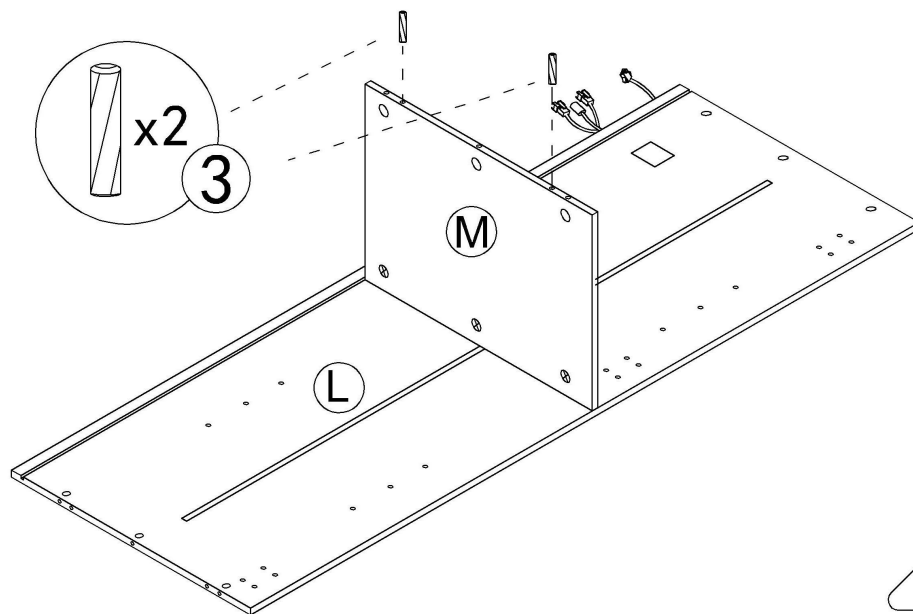
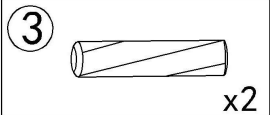
Step 22



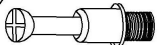


Step 23

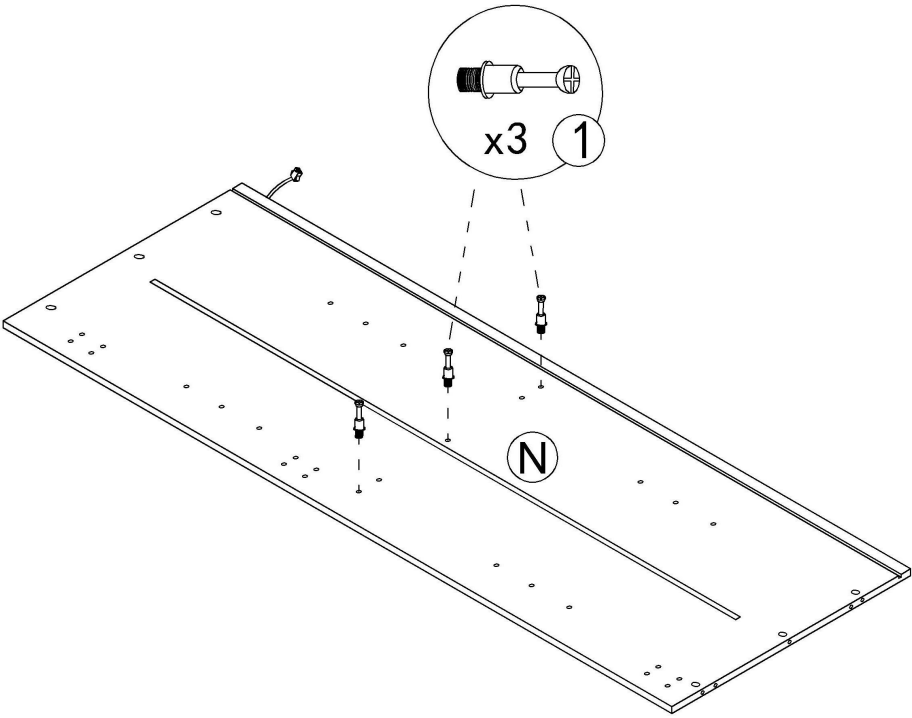
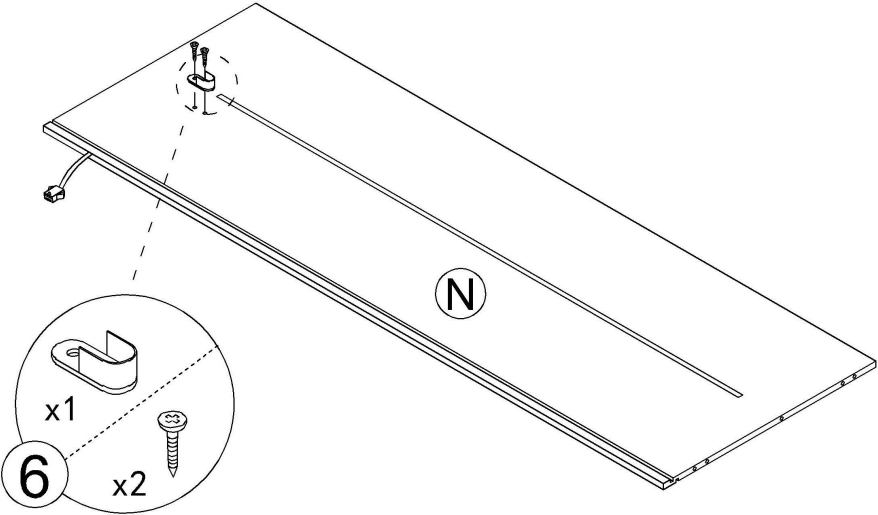


Step 24



Step 25

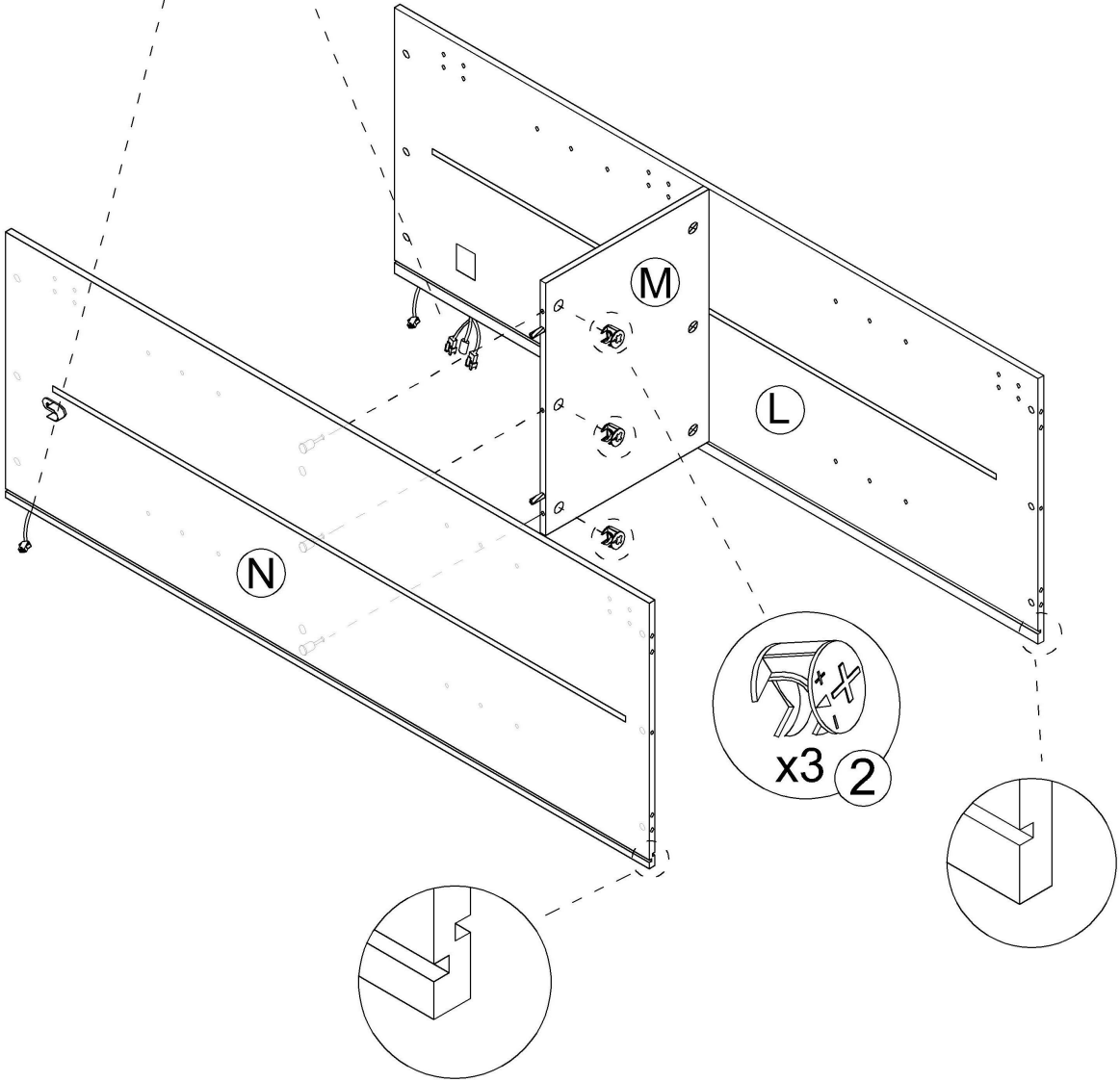
- 1  x3
- 6  x1  x2



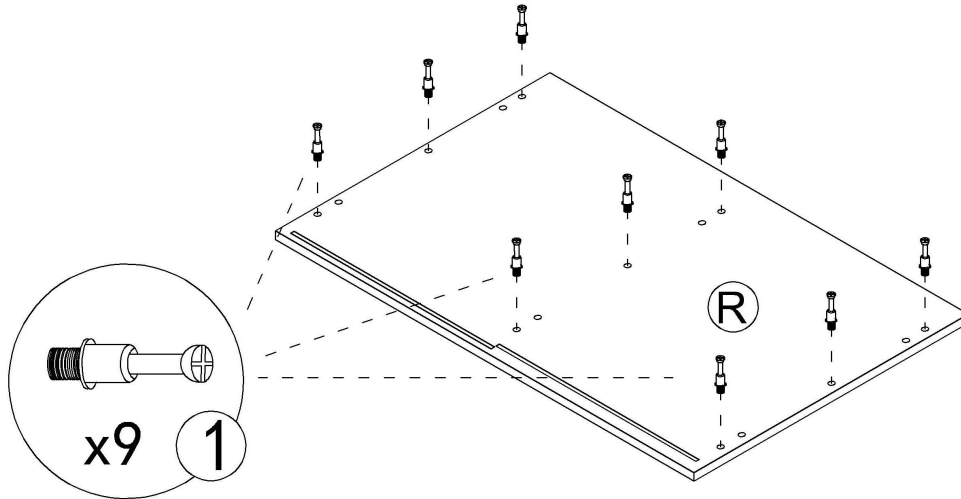
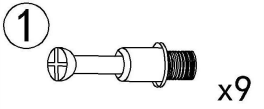
Step 26

2  x3

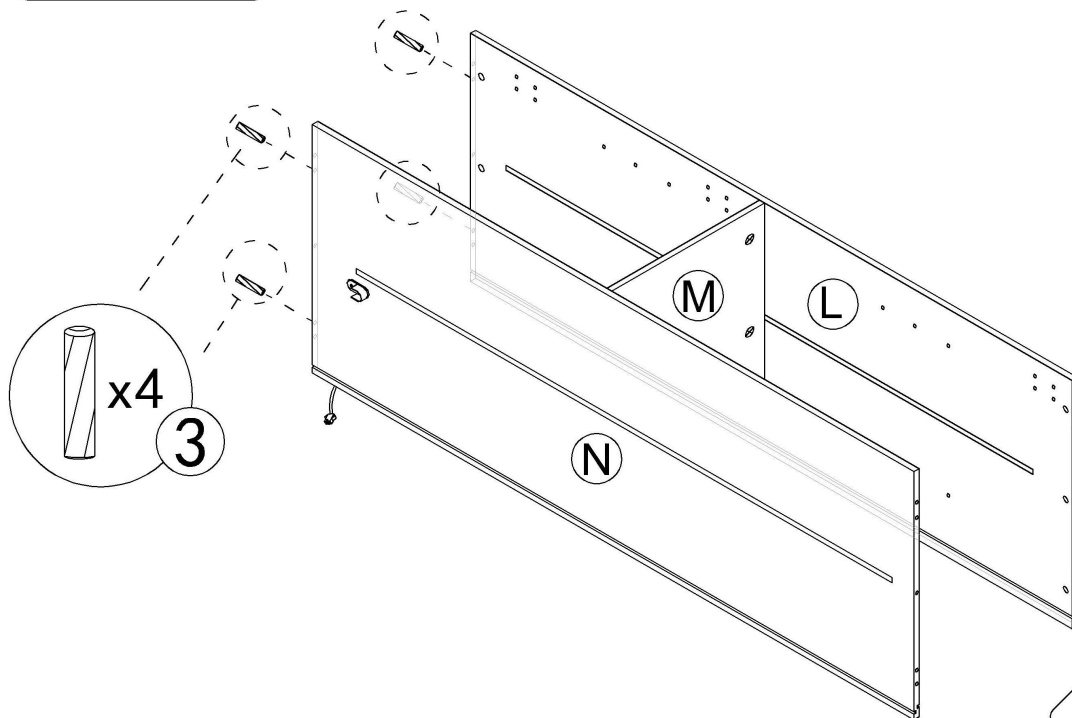
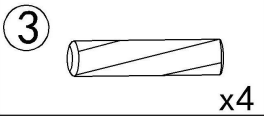
Do not press onto the light line



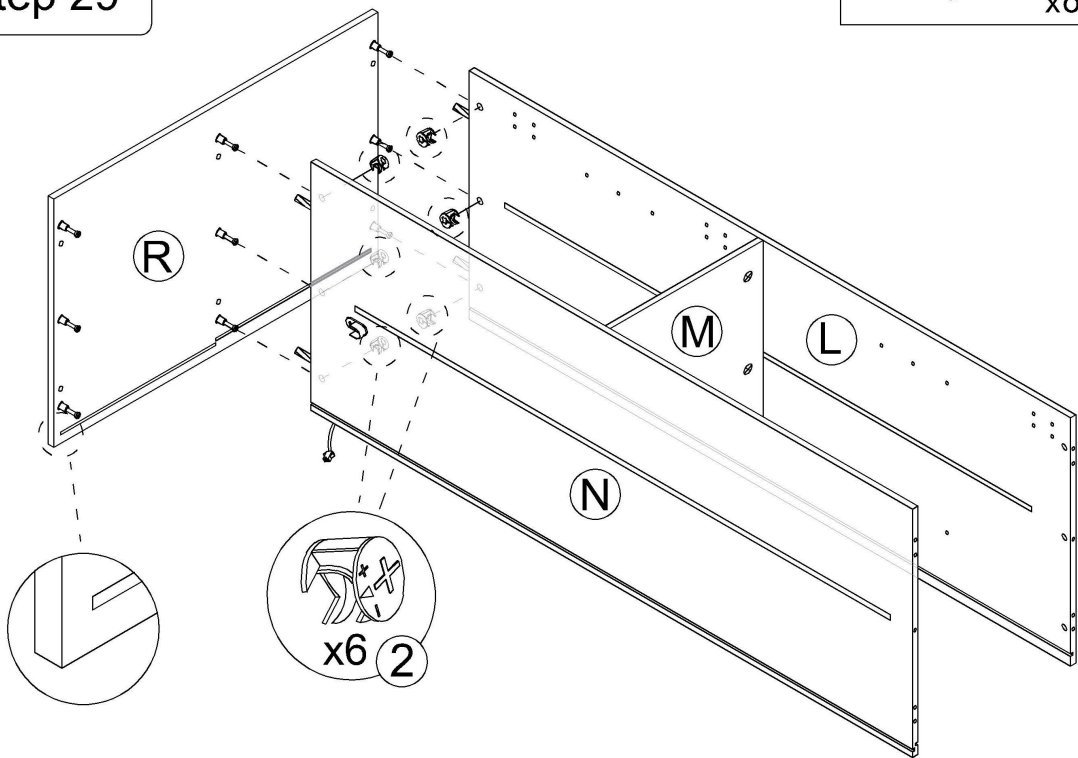
Step 27



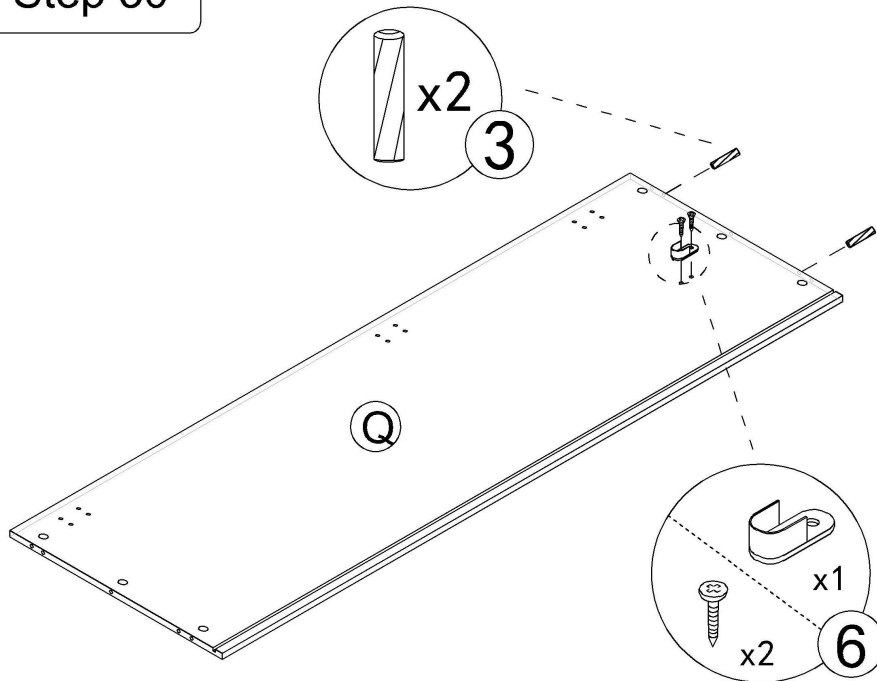
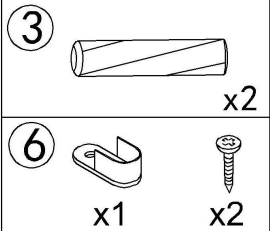
Step 28



Step 29

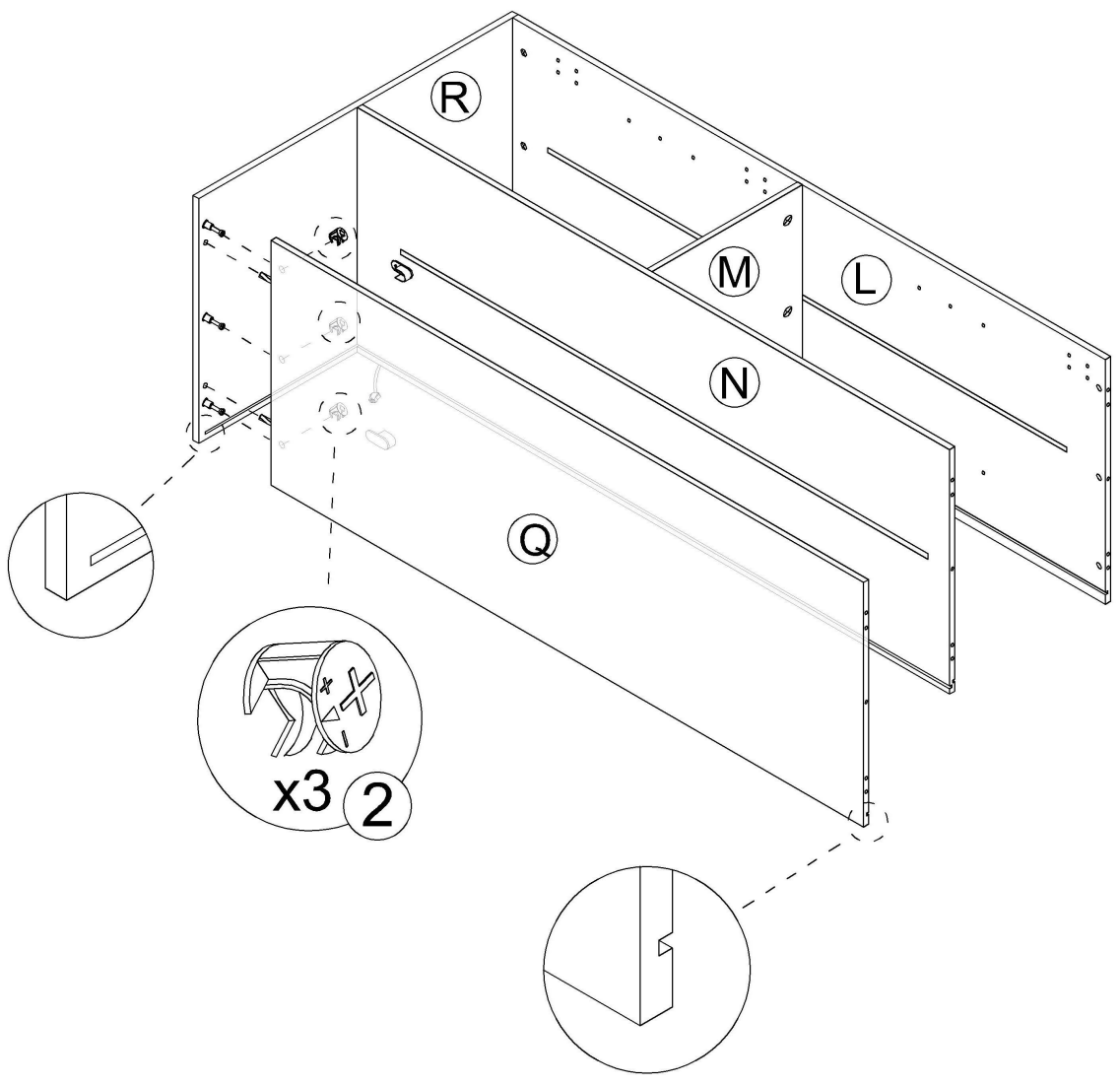


Step 30

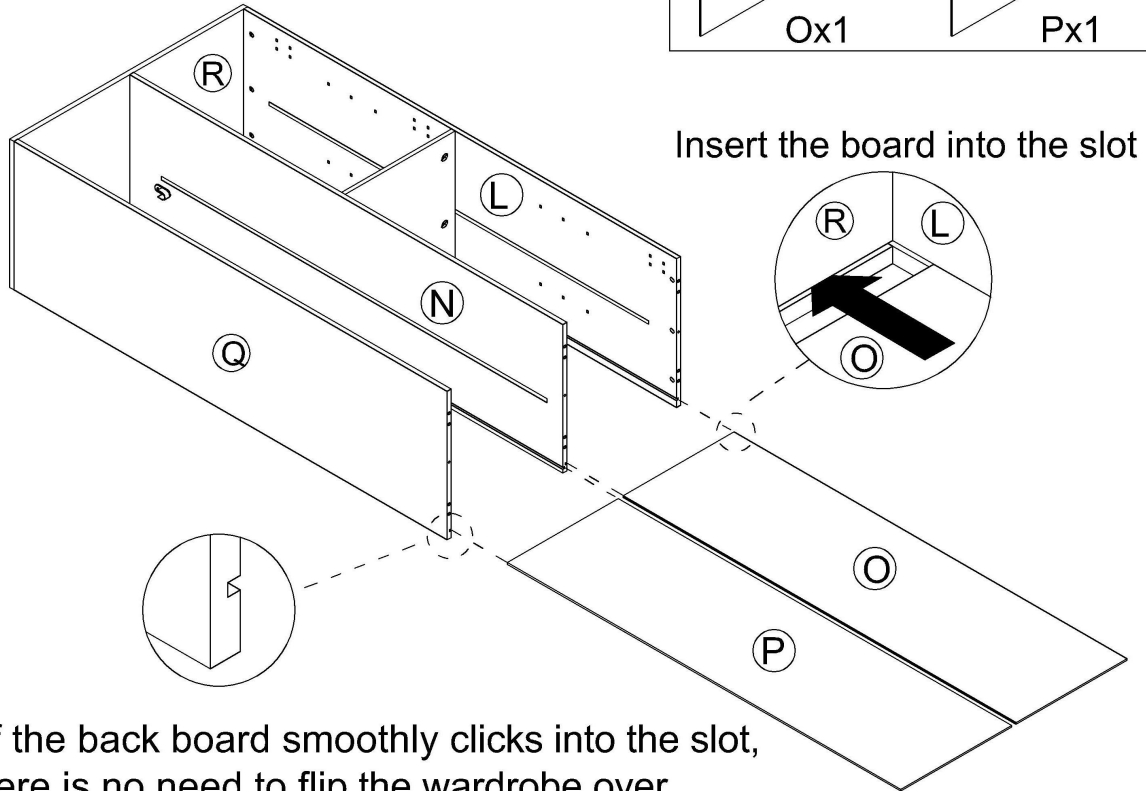
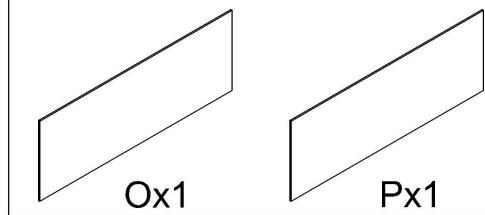


Step 31

2  x3

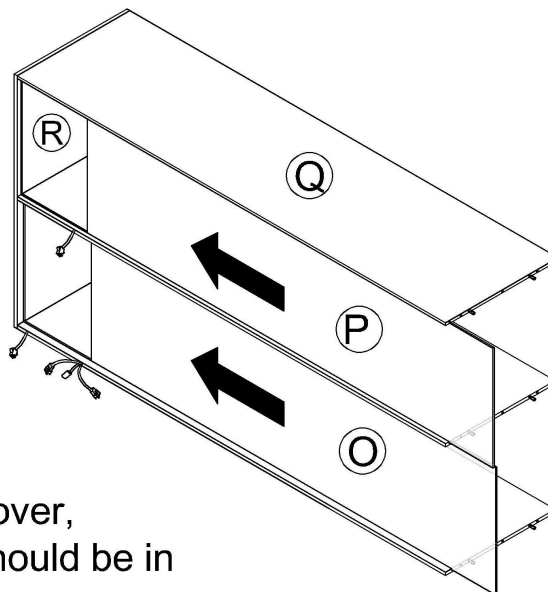


Step 32



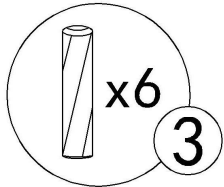
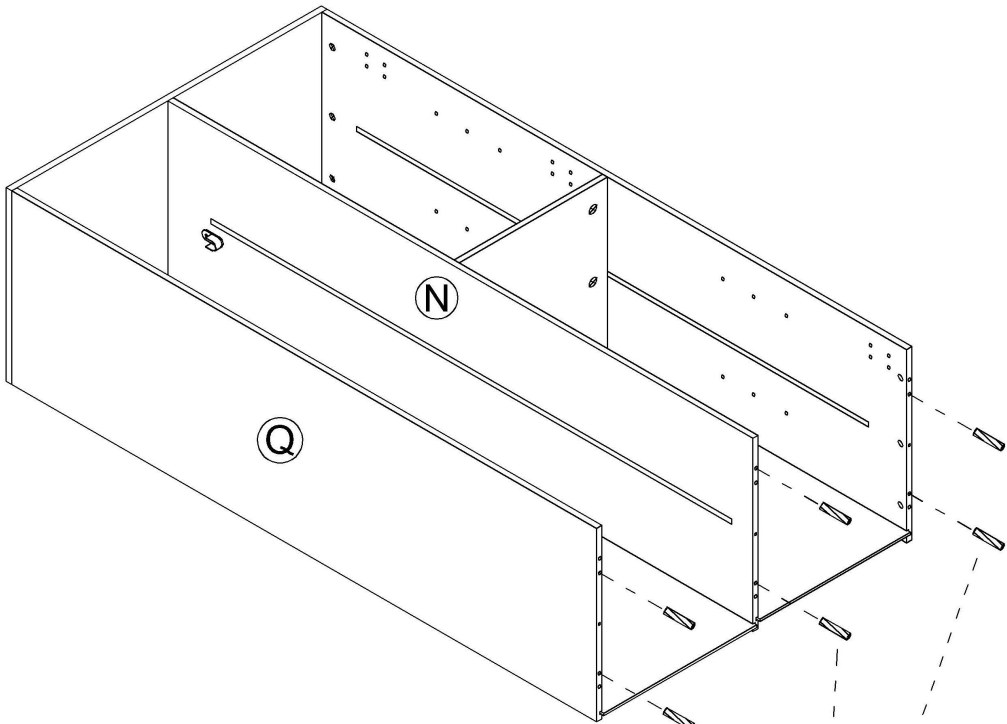
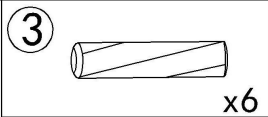
1.If the back board smoothly clicks into the slot, there is no need to flip the wardrobe over

2.If the back panel is stuck by the light cord or does not fit into the slot, flip the wardrobe over




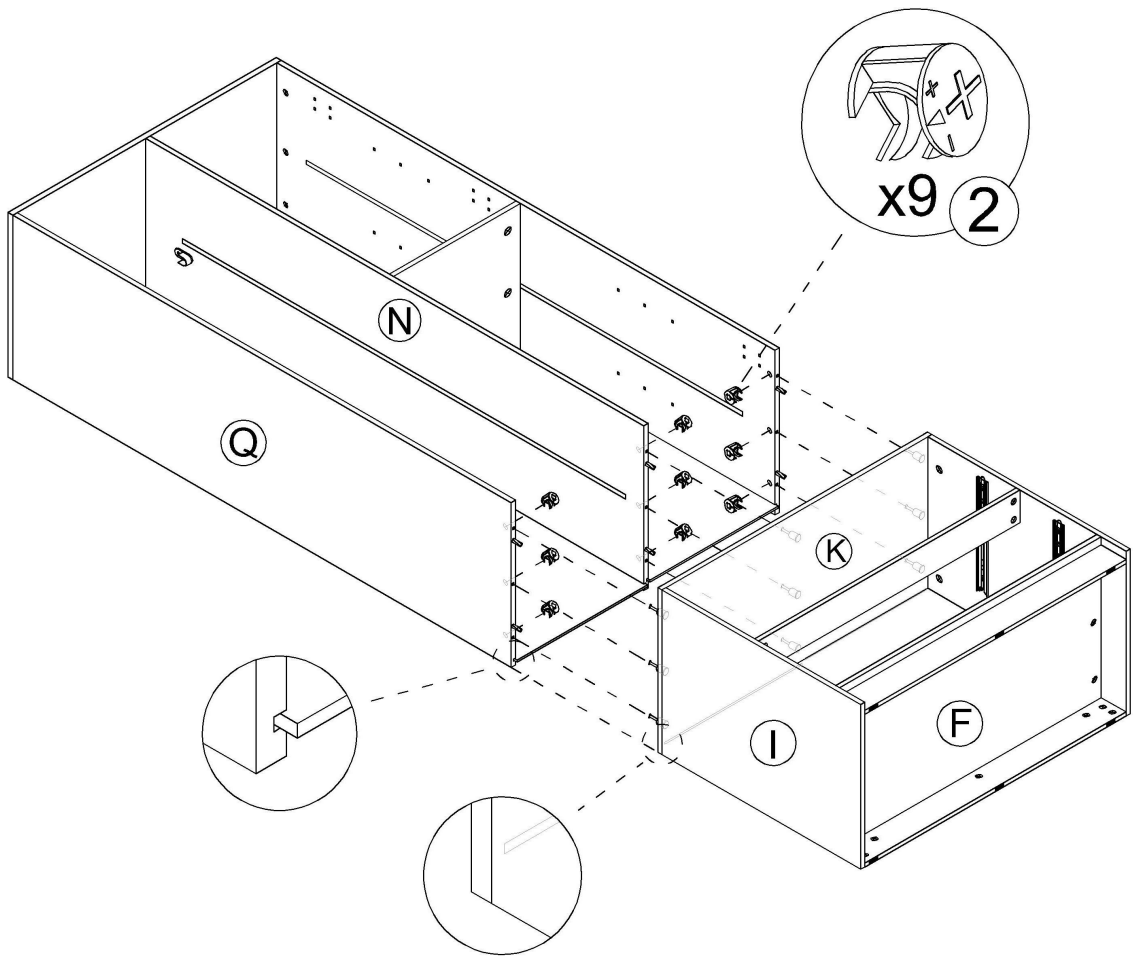
3.When turning the cabinet over, the P board and O board should be in the slot as a support point

Step 33

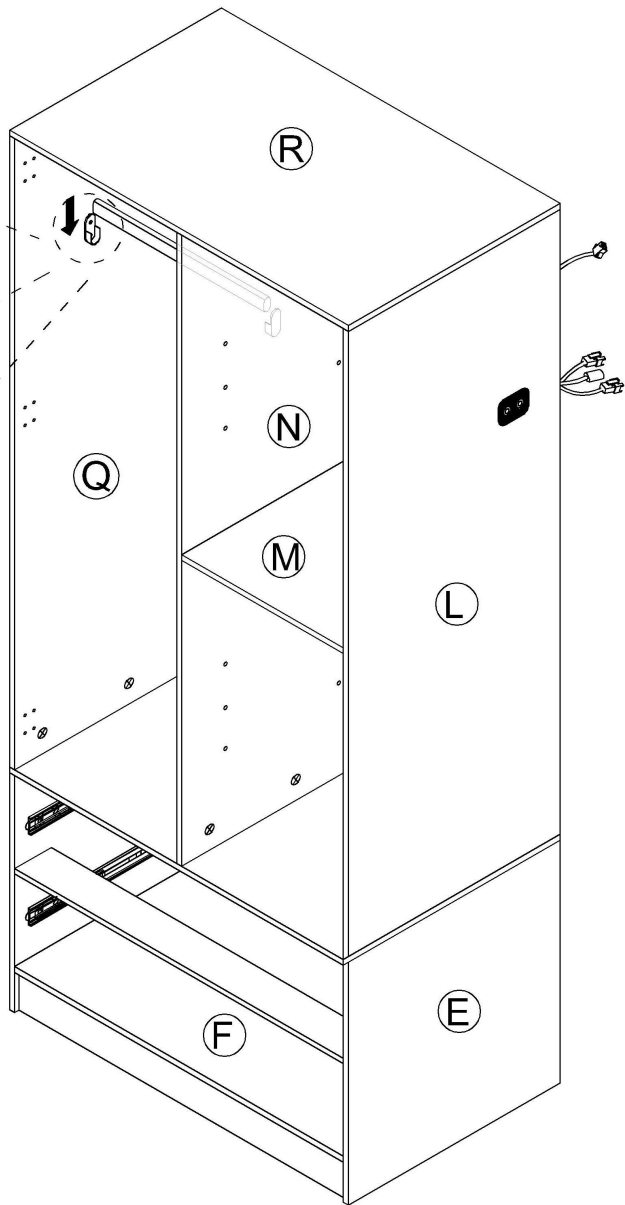
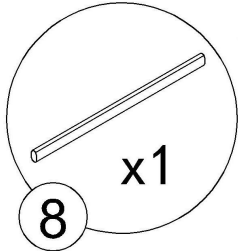
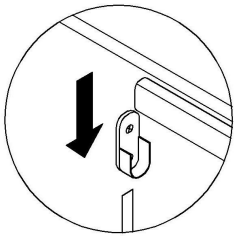
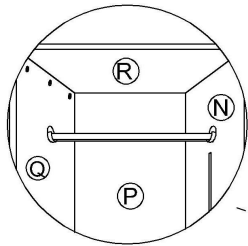
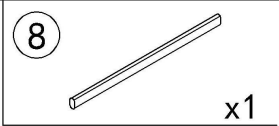


Step 34

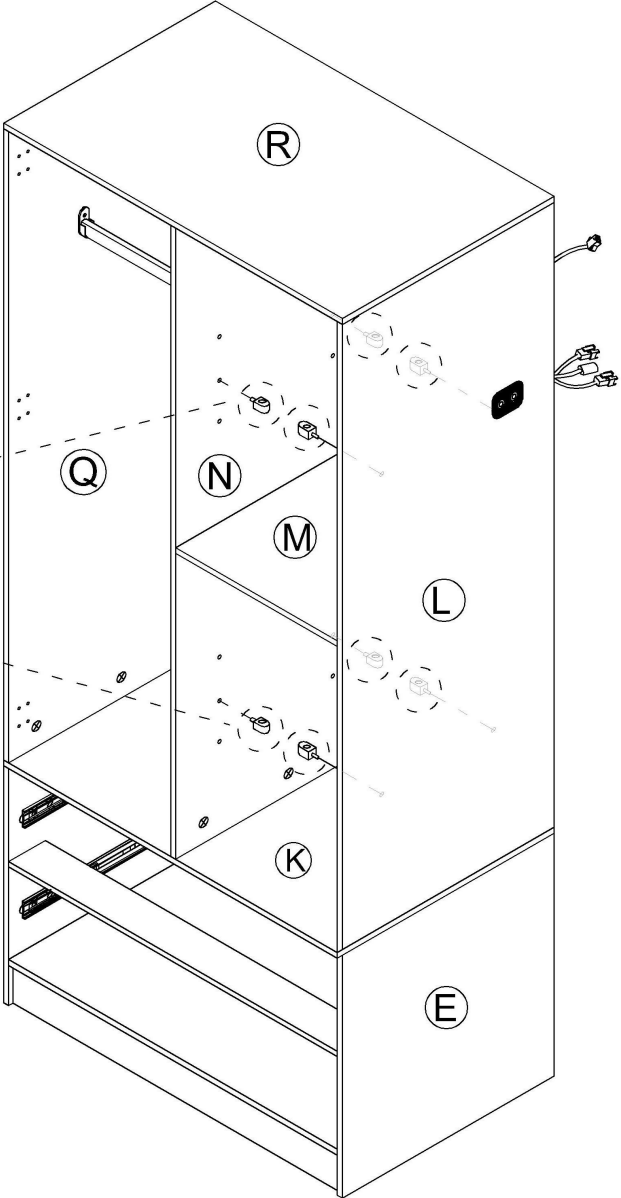
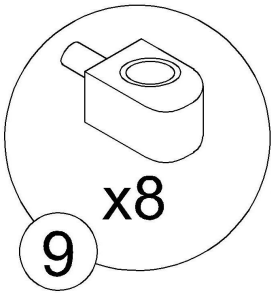
2  x9



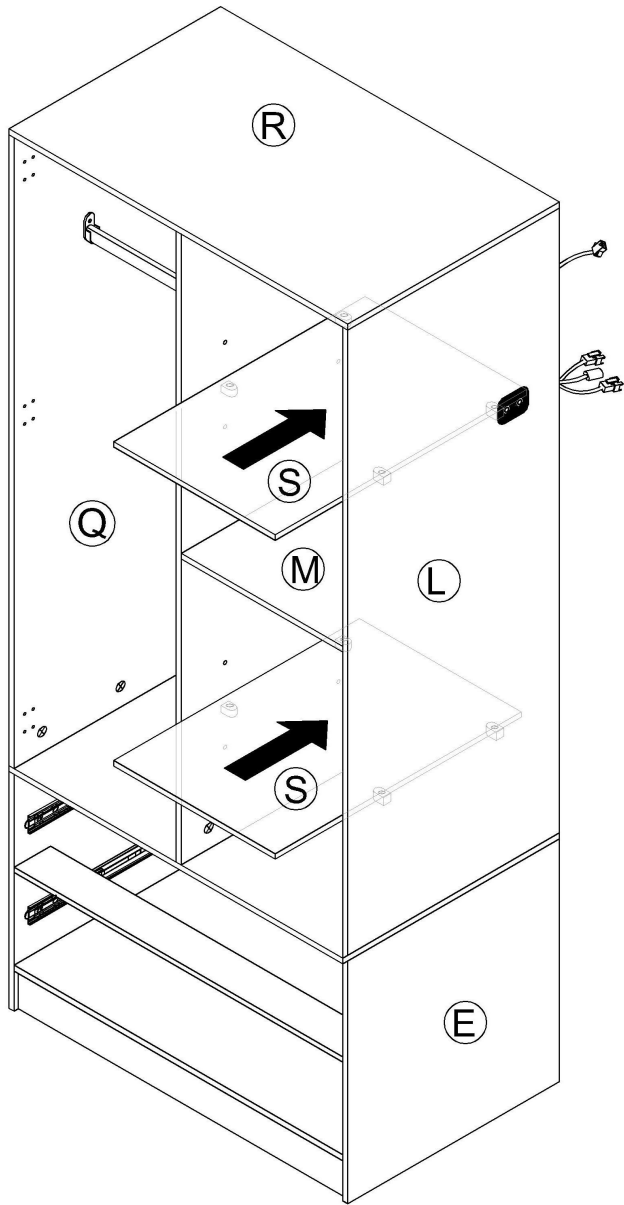
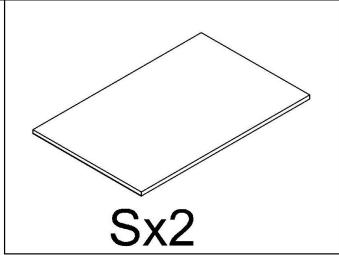
Step 35



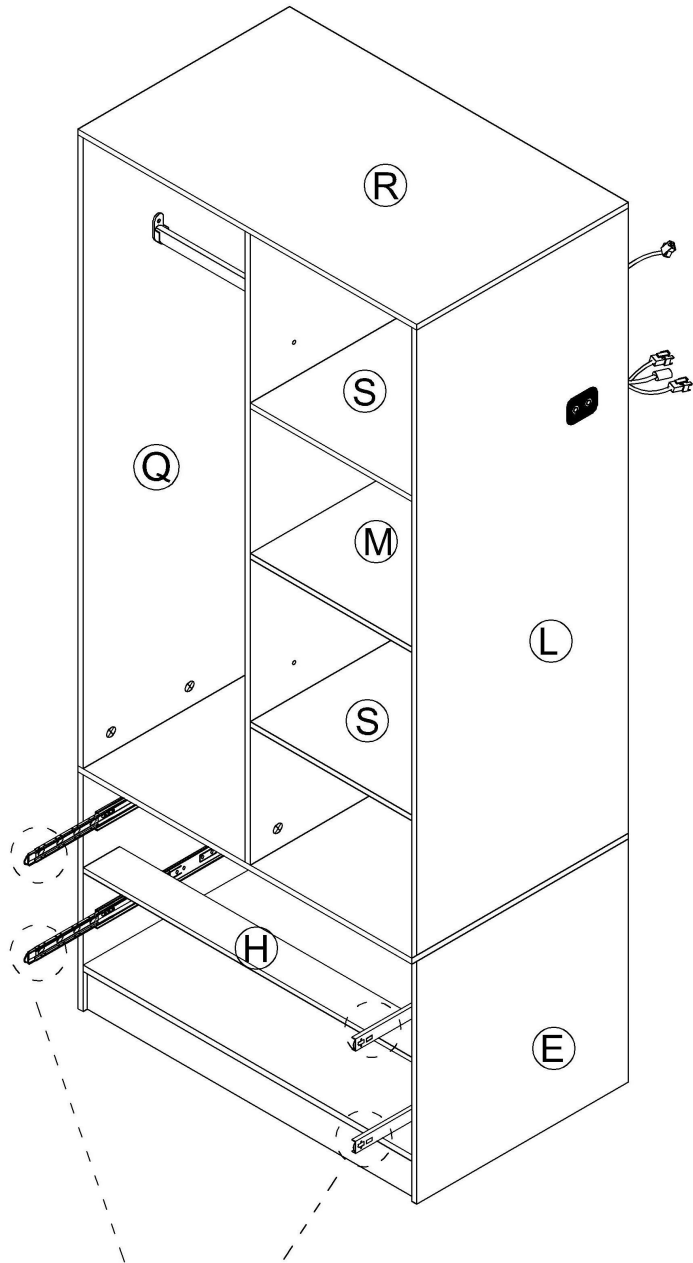
Step 36



Step 37

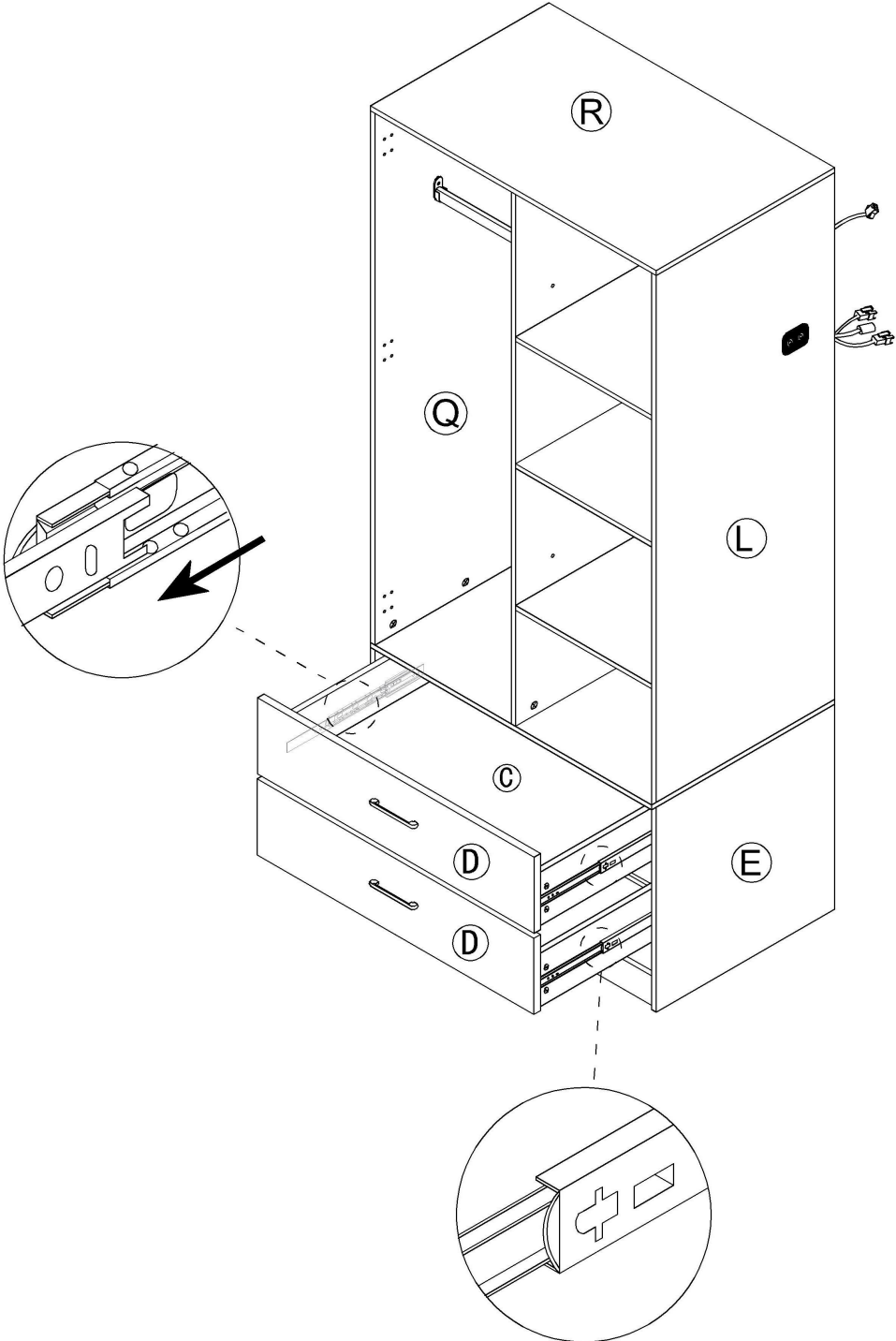


Step 38

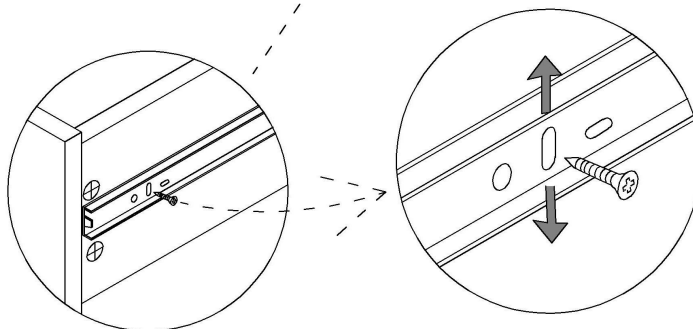
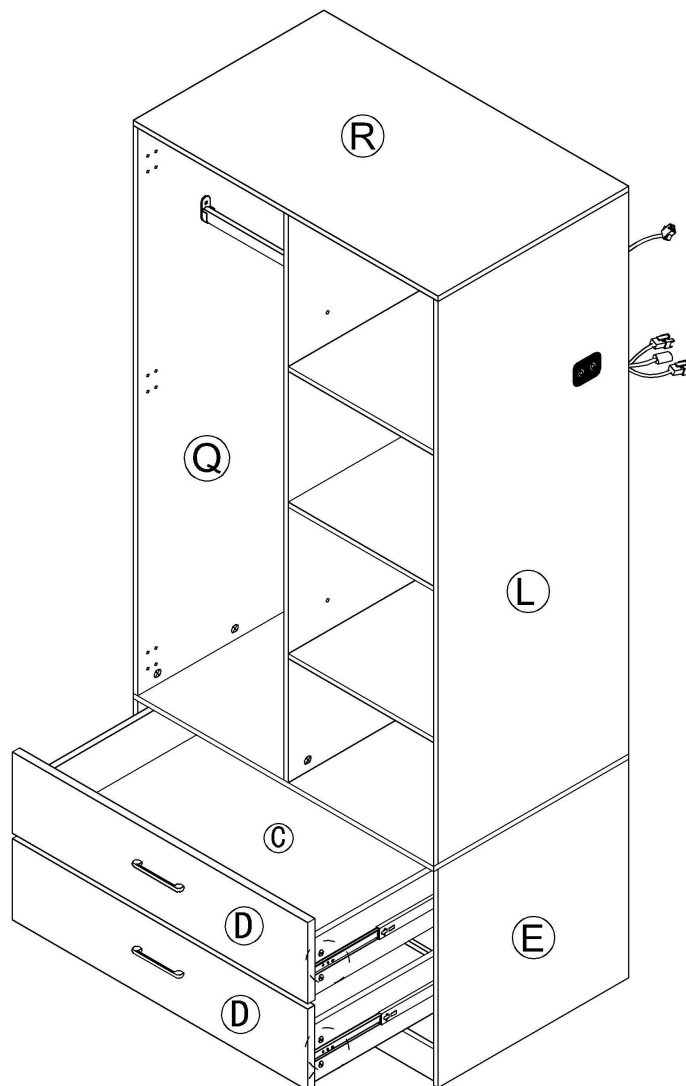


As shown, When installing the drawer, pull the guide rail out first, Slide beads are also pulled out.



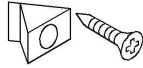


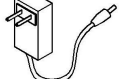
Step 39

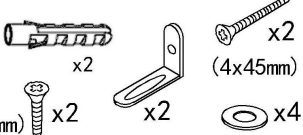


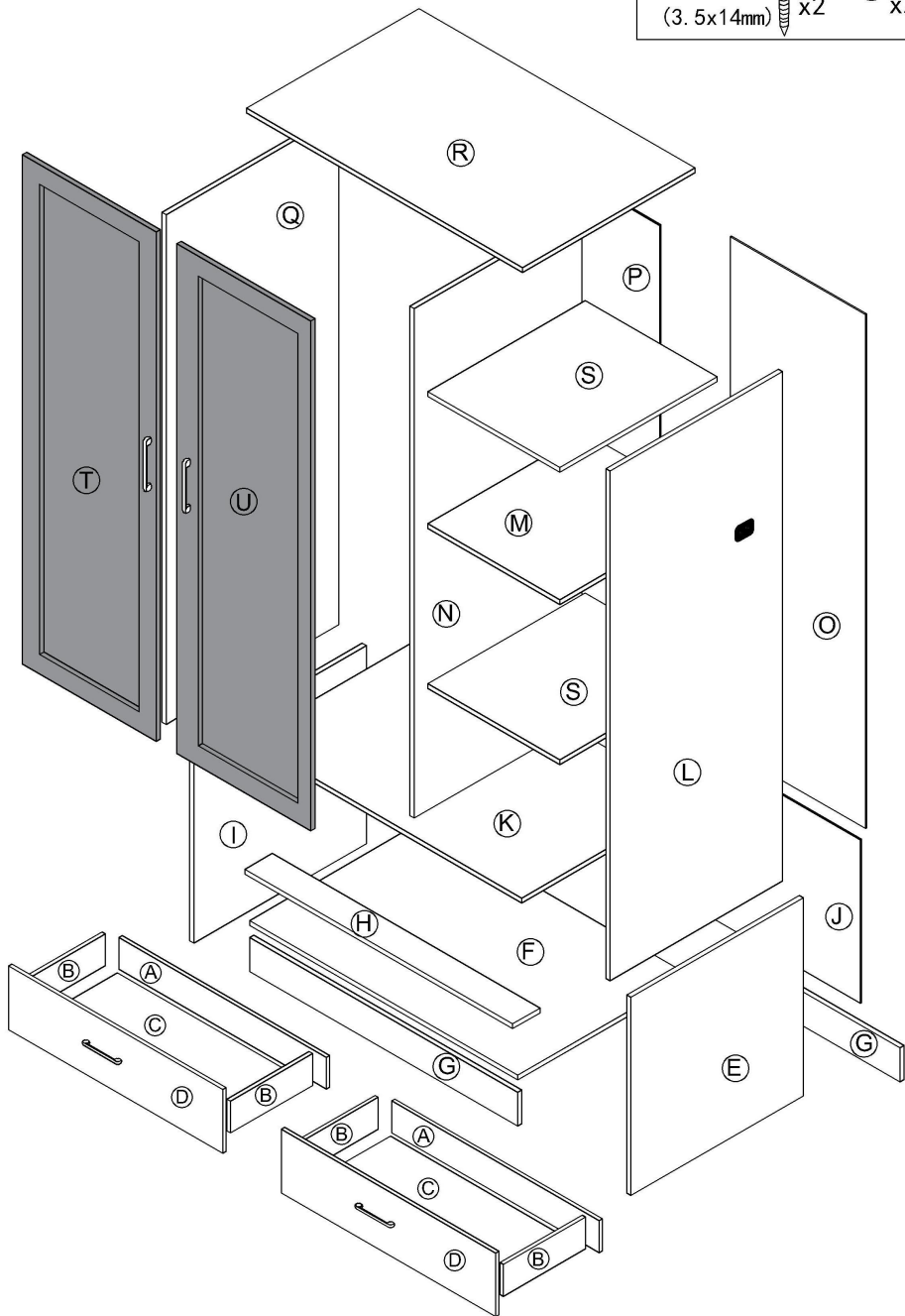
Step 40



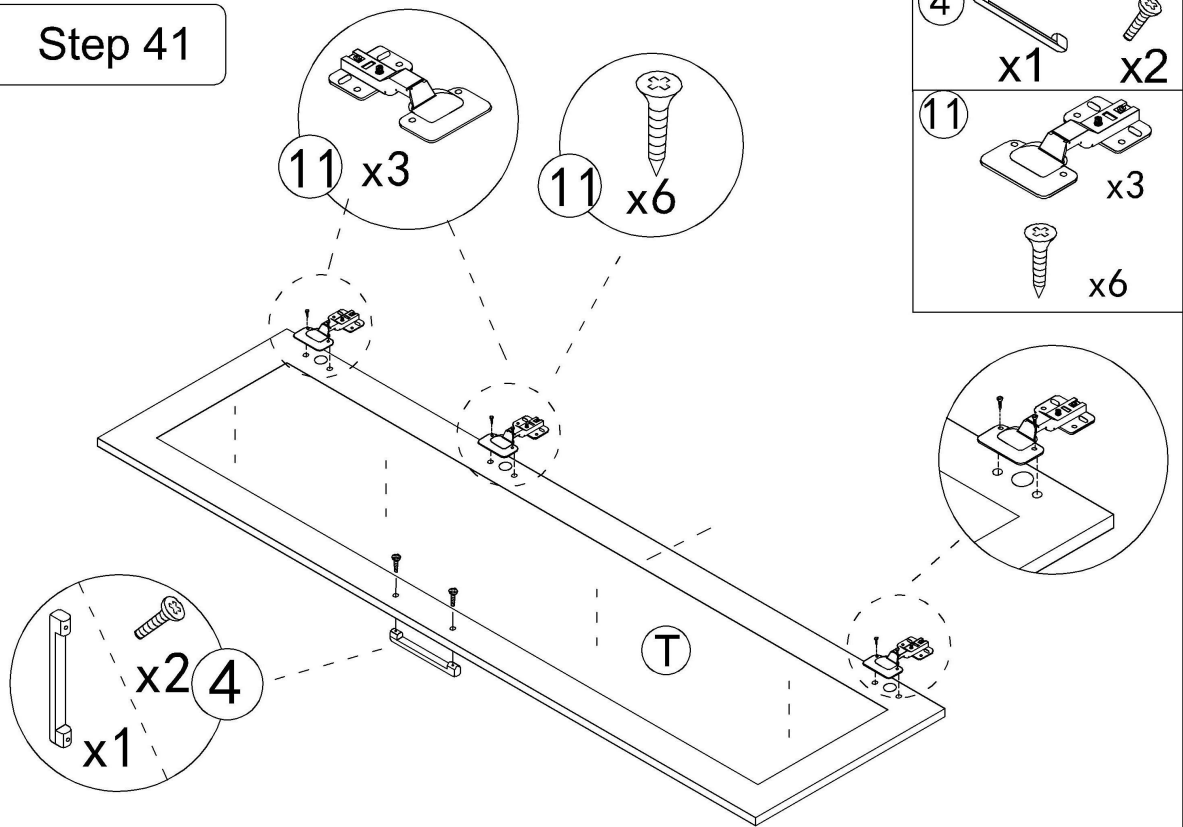
If a large gap is found after installing the drawer the slide rail can be moved up and down to adjust the gap

4	 2pcs 4pcs	11	 6pcs 36pcs	13	 16pcs
10	 2pcs 4pcs	12	 2pcs		 1pcs

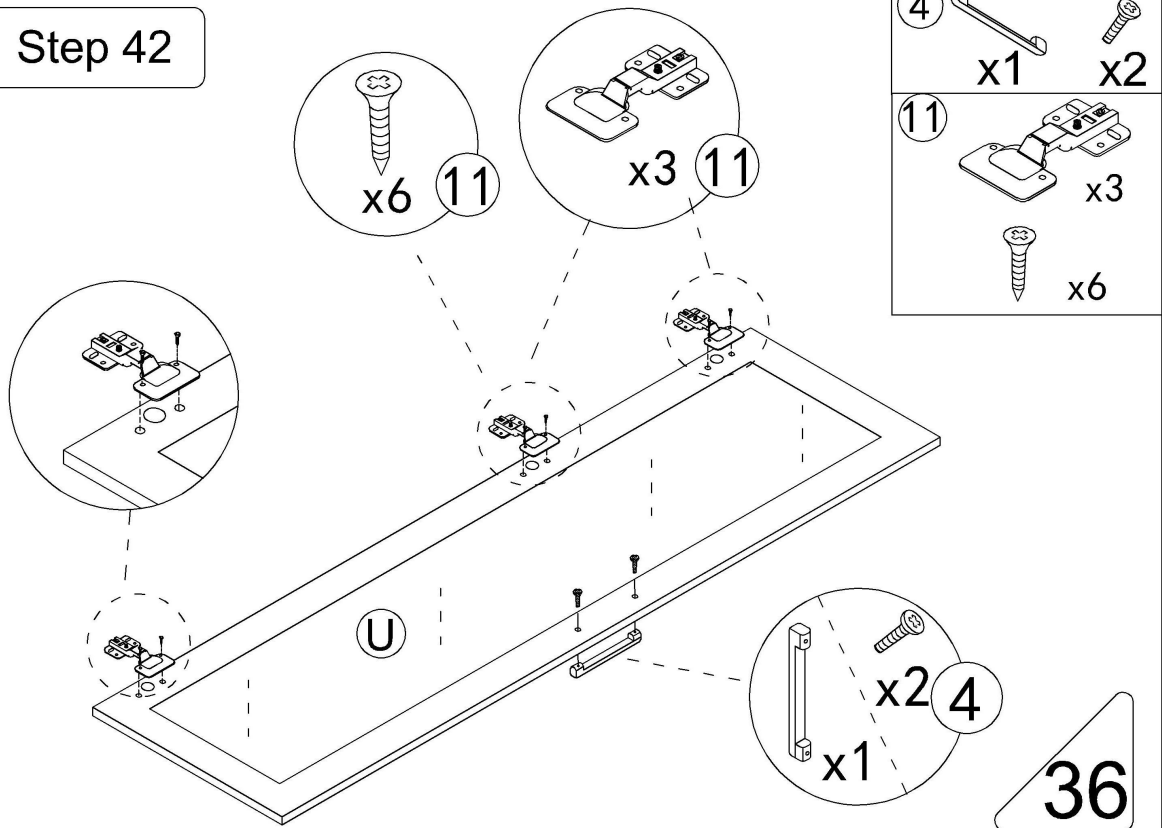
14	 (3.5x14mm) x2 x2 x2 x2 x2 x4
----	--



Step 41



Step 42

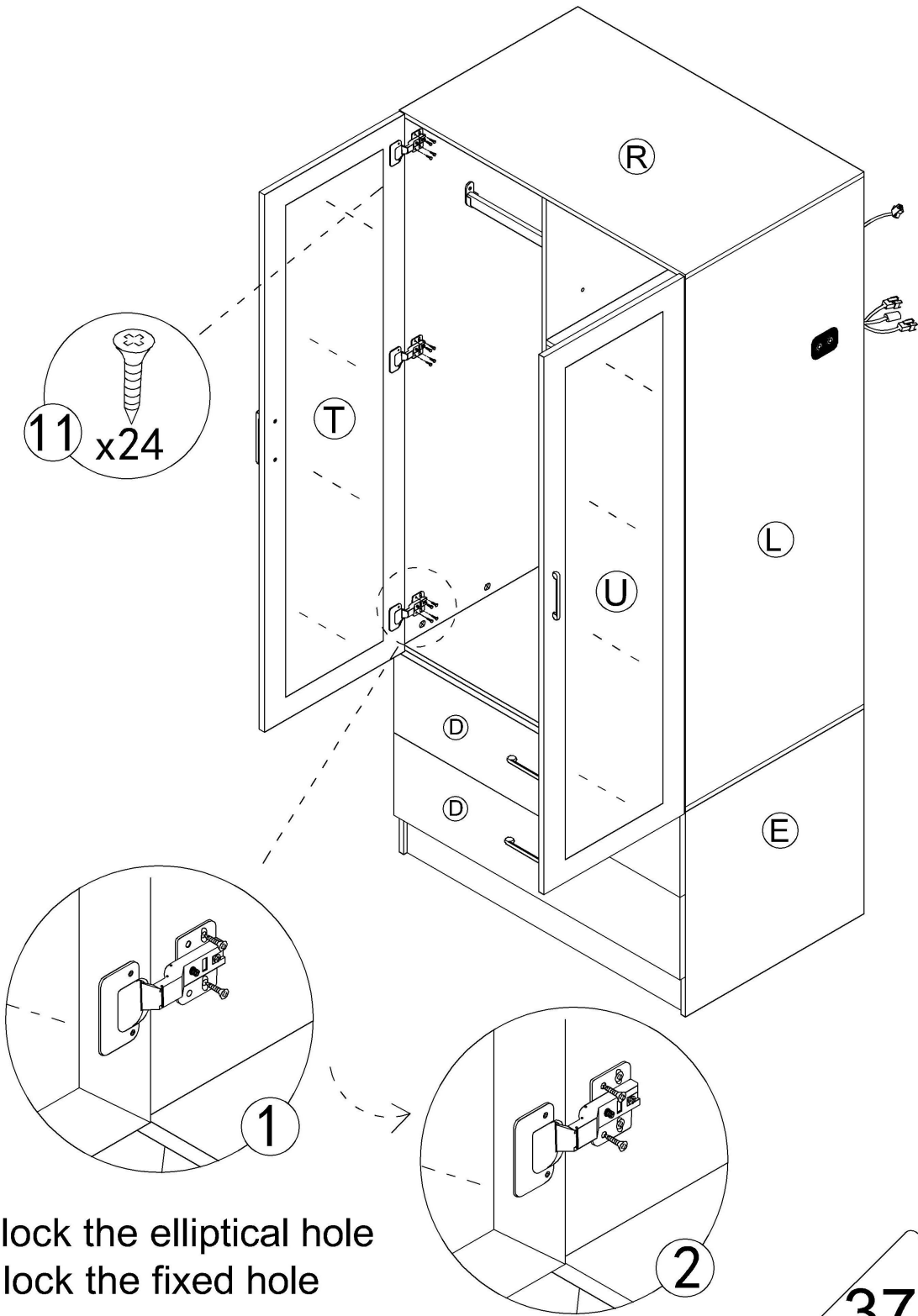


Step 43

11

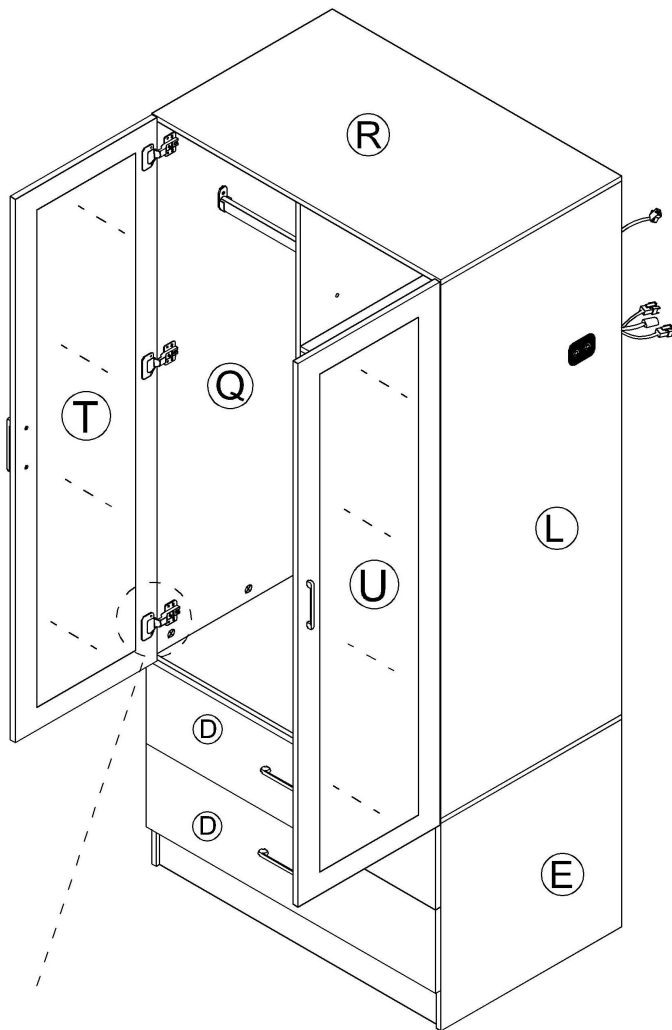


x24

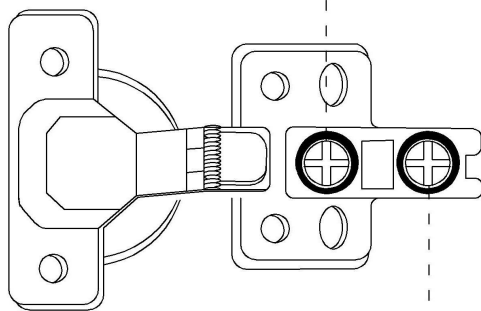


First lock the elliptical hole
then lock the fixed hole

Step 44

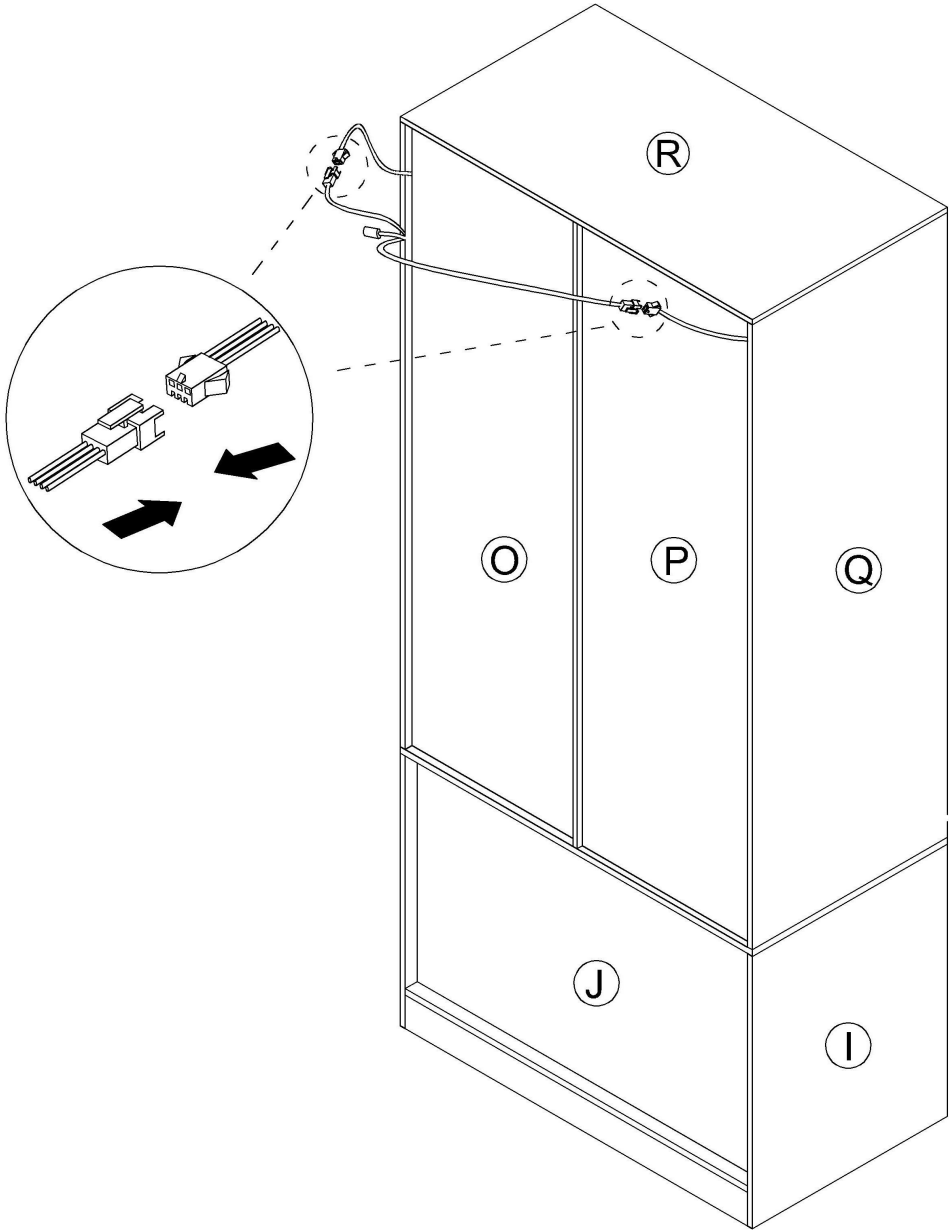


Turning this screw can effectively adjust the size of the door gap.

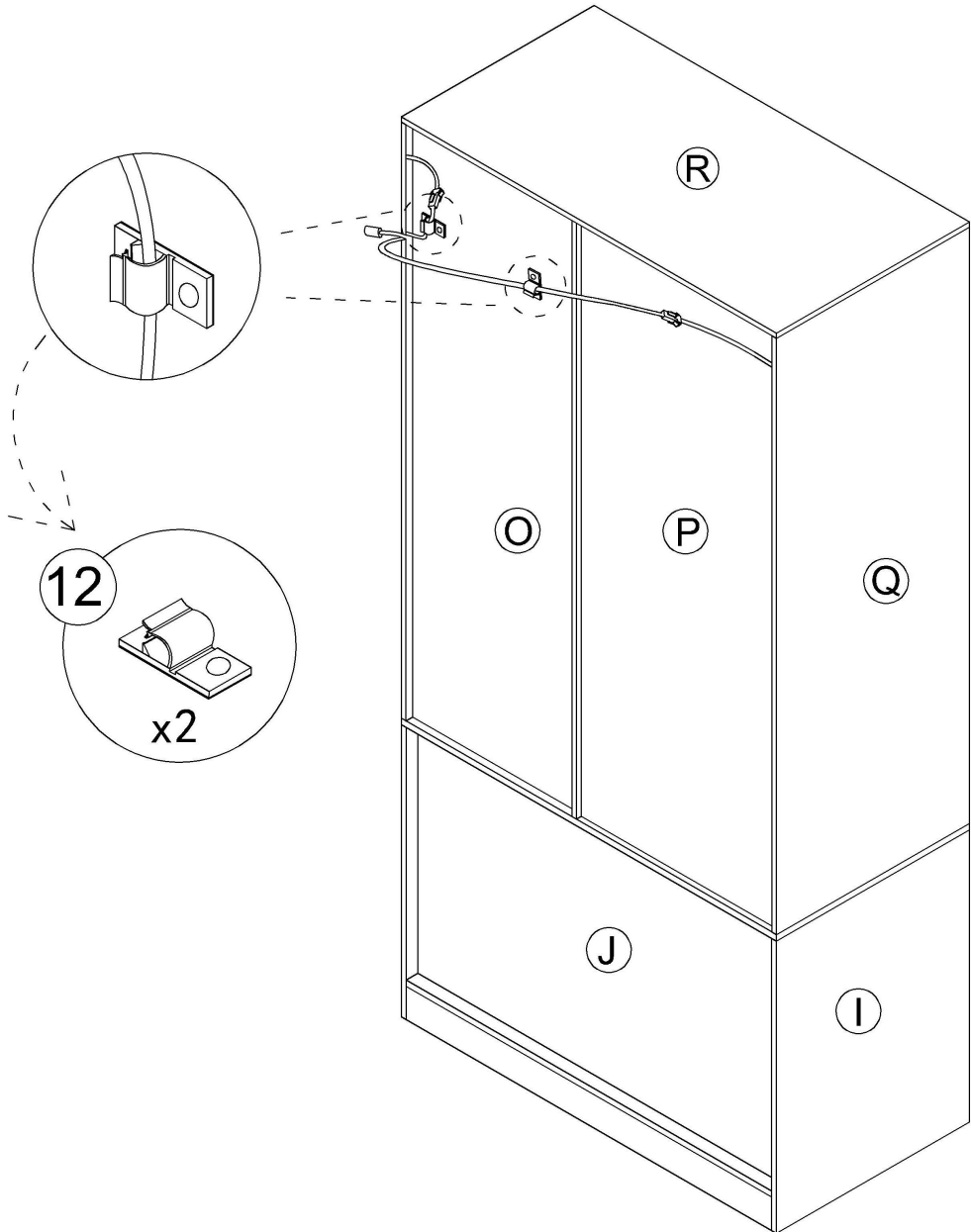
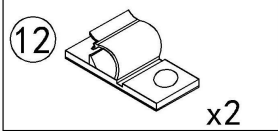


Turn this screw to adjust the door panel to be flat with the side panel.

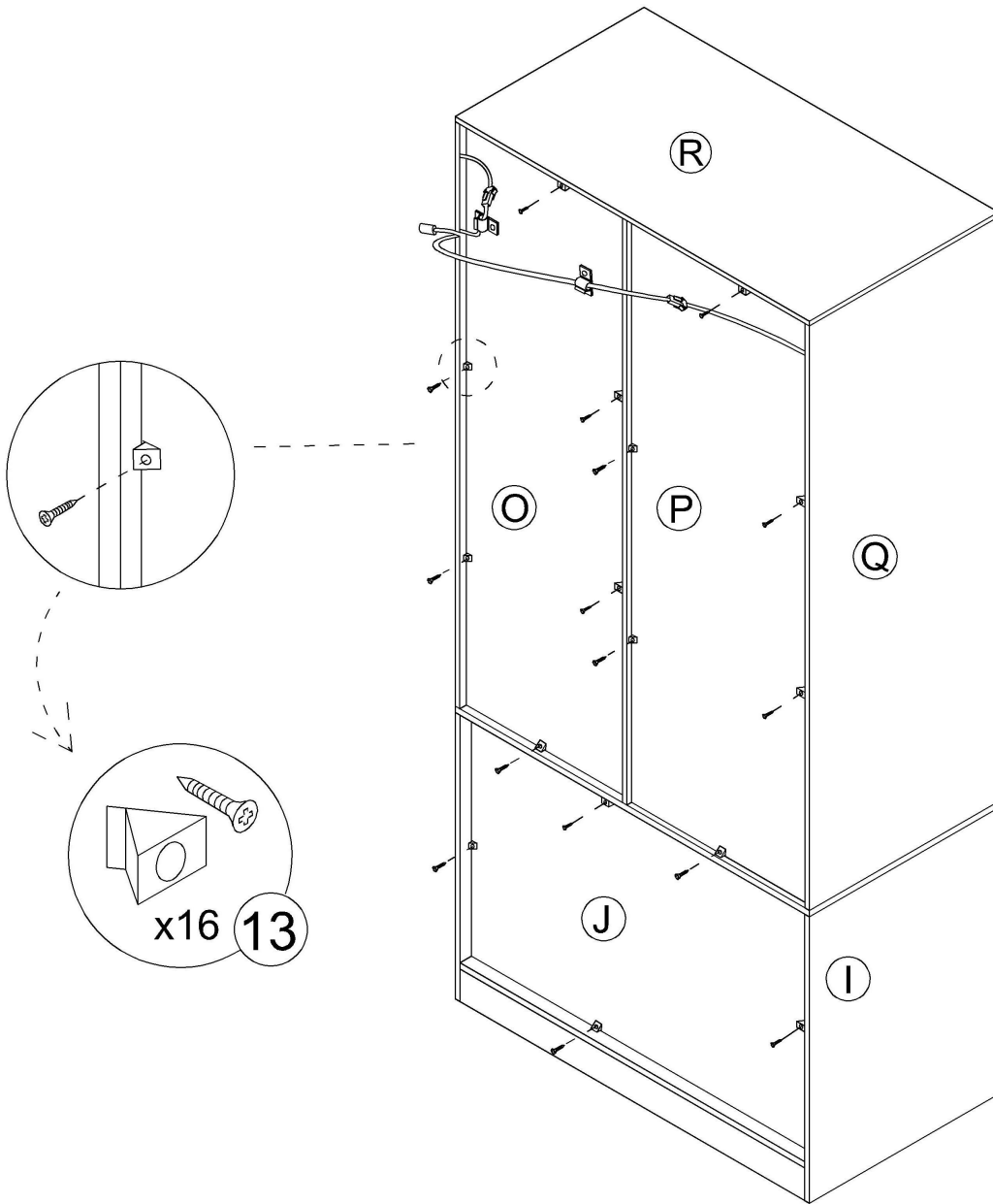
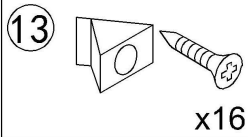
Step 45



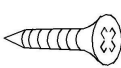

Step 46



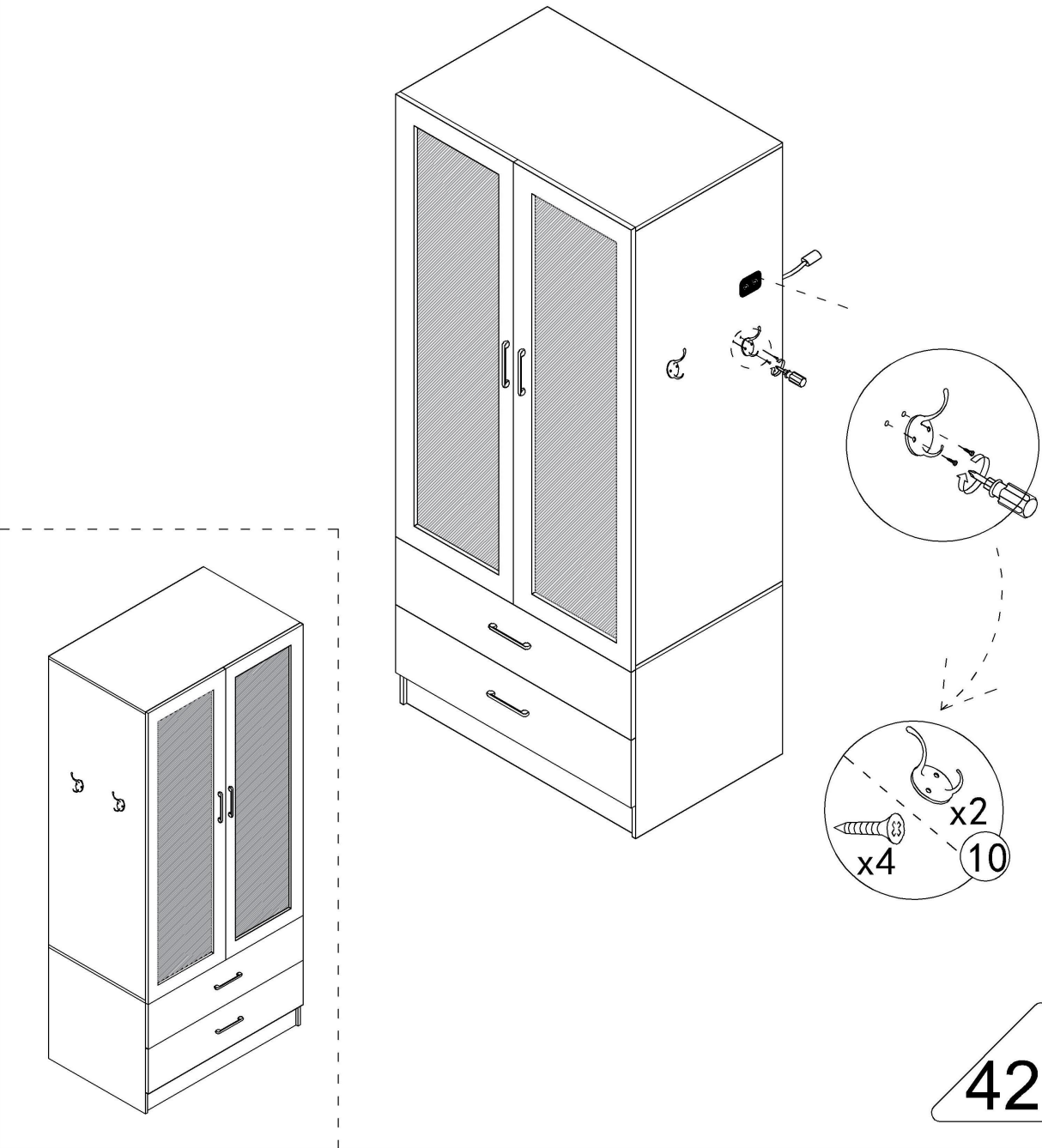
Step 47



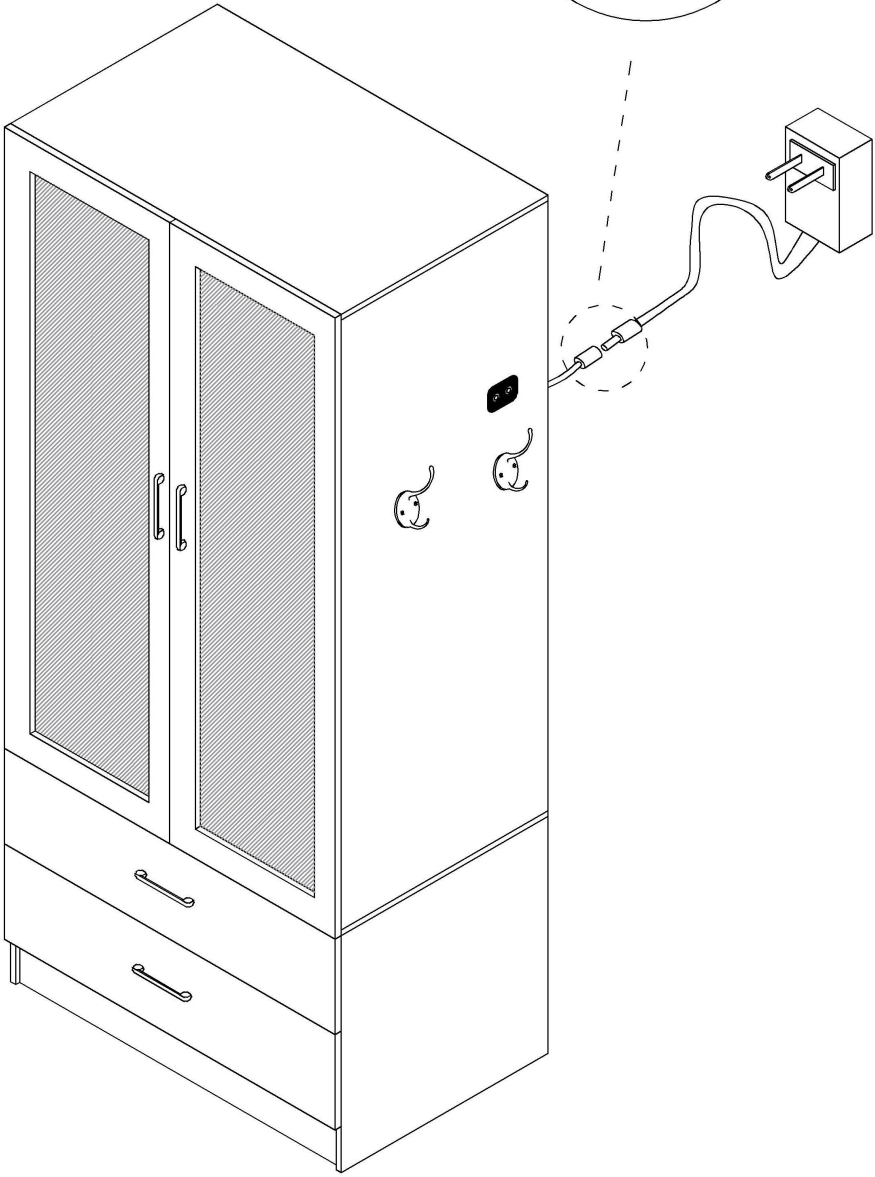
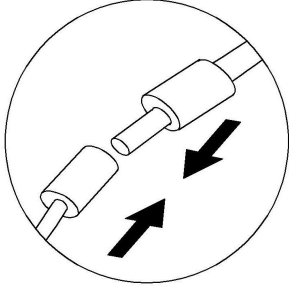
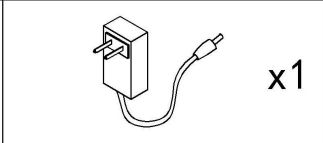
Step 48

- (10)  x4
-  x2

- 1. Hooks can be installed according to customer needs
- 2. The hook has no fixed installation position



Step 49



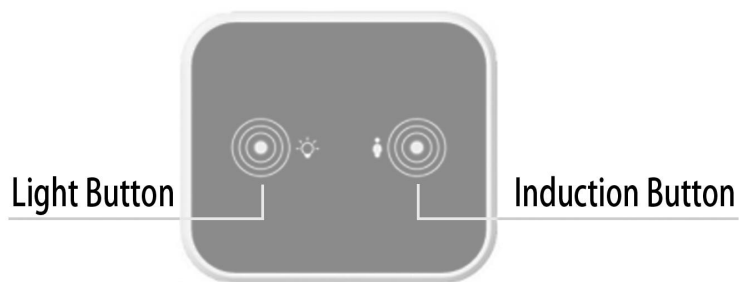
User's Guide

Thank you for purchasing this product. To use this product, please plug it into a 12V DC power supply. Please use if the product works normally after connecting to power.

Introduction

The box is an intelligent controller with 2 touch buttons. It can turn ON/OFF the light, change light colors, and adjust the light luminance.

Product Show



ATTENTION PLEASE

1. If there is no touch response suddenly, Re-plug the power to reset the touch static electricity.
2. If bubbles appear on the panel, remove the protective film.

Operation



This touch button is used to turn on/off, change colors, and adjust brightness.

A. Short touch -> lighting on -> short touch -> change light color -> short touch -> change light color -> short touch -> lighting off. B. Long touch -> adjust the luminance



This touch button is used to turn on/off the induction function.

A. Short touch to turn on the induction function. It can auto-turn on the light when people are close to the controller in 4 meters. It can auto power off the light when the body is far away from the controller after 30 seconds.

B. Long touch to turn off the induction function.

C. Note: When you touch the light button to change the light modes, the induction function will automatically turn off. It is best to turn on this function after selecting the light color and adjusting the brightness you want.