

Task, Operator and Multi-Tilter Models

Assembly / Operating Instructions

Assembly/Operating instructions for: TASK, OPERATOR and MULTI-TILTER Models

Congratulations! You have just purchased a fine quality home/office chair. Some assembly is required. Please follow these simple instructions.

PLEASE REFER TO THE INSTRUCTIONS APPLICABLE TO THE MODEL PURCHASED

Assembly Instructions

For ALL Models

1. Push one caster into each hole in the bottom of the five pronged base. When partially inserted, there will be some resistance before the caster "snaps" into position.

2A. For All Models except Drafting Chair

Slide the three piece cylinder cover over the pneumatic cylinder. Ensure the largest diameter section is facing towards the bottom of the assembly.

2B. For Drafting Chair Only

Slide foot ring with chrome ring facing up, over pneumatic cylinder and tighten knob.

3. For All Models

Insert the pneumatic cylinder into the hole in the center of the base, with the "clip" end downward. Both the base and the cylinder are tapered to ensure a tight fit.

4. Lift chair assembly on top of the pneumatic cylinder, inserting the cylinder into the hole in the seat mechanism. Press down firmly. Weight or applied pressure will "pressure seal" these components to one another.

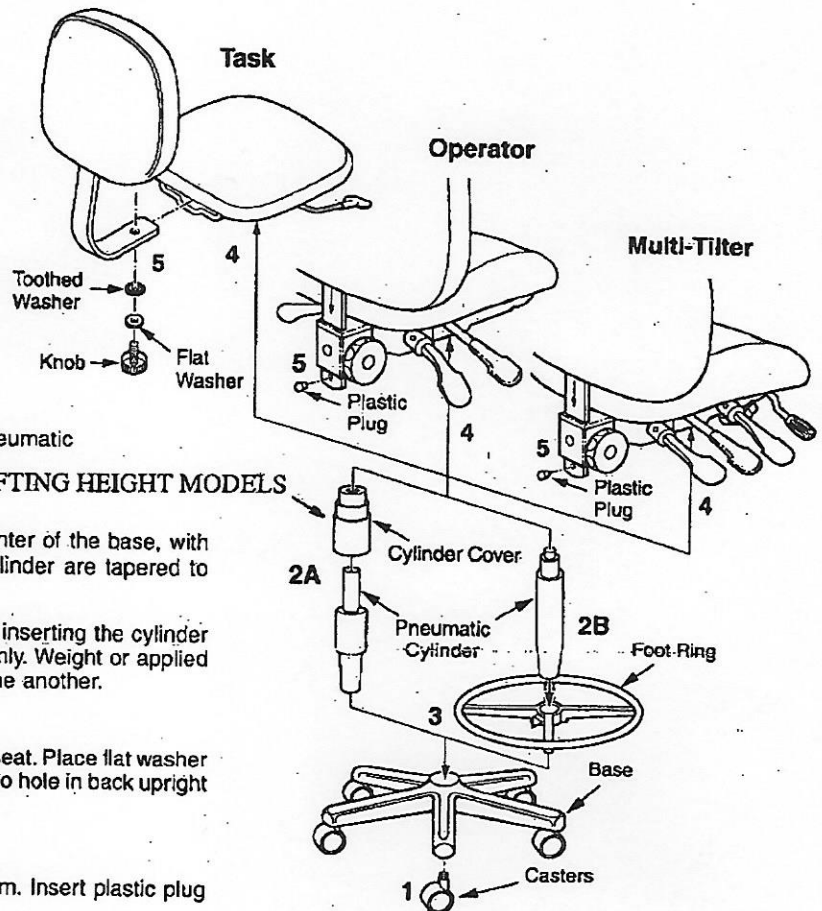
For TASK Model

5. Insert back upright into slot in seat mechanism under seat. Place flat washer on knob first, then the toothed washer. Thread knob into hole in back upright and tighten.

For OPERATOR and MULTI-TILTER Models

5. Insert back upright into slot in back of seat mechanism. Insert plastic plug into hole in back upright.

NOT ON DRAFTING HEIGHT MODELS

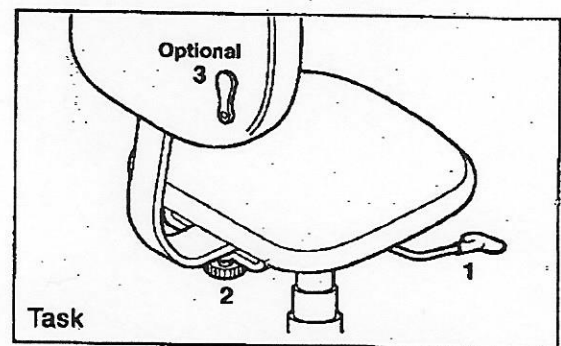


DRAFTING HEIGHT CHAIRS DO NOT COME WITH CYLINDER COVER

Operating Instructions

For TASK Model

1. **Seat Height:** Pull up on lever while seated and seat height is decreased. Pull up on lever while unseated and seat height is increased. Release lever when desired height is achieved.
2. **Seat Depth:** Seat depth is adjusted by loosening the handwheel under the seat, moving the chair back in or out, to the most comfortable position and tightening the handwheel.
3. **OPTIONAL – Lumbar Adjustment:** To adjust the height of the lumbar support, turn the lever in the back of the chair counterclockwise or clockwise until the most comfortable position is achieved.



NEED HELP? 215-961-2242 Monday thru Friday 9 TO 5 EST